



US00D574381S

(12) **United States Design Patent**
Chan

(10) **Patent No.:** **US D574,381 S**

(45) **Date of Patent:** **** Aug. 5, 2008**

(54) **CODE READER**

(75) Inventor: **Raymond Chan**, HK SAR (CN)

(73) Assignee: **IDT Electronic Products Limited**,
Kowloon, Hong Kong (CN)

(**) Term: **14 Years**

(21) Appl. No.: **29/272,899**

(22) Filed: **Feb. 20, 2007**

(30) **Foreign Application Priority Data**

Sep. 29, 2006 (HK) 0602542

(51) **LOC (8) Cl.** **14-02**

(52) **U.S. Cl.** **D14/431**

(58) **Field of Classification Search** D14/431,
D14/426, 420; 235/462.49, 462.45, 462.43,
235/472.01, 472.03, 494, 495, 482, 454;
D26/37; 250/555, 566, 569; 401/195; 362/118,
362/259

See application file for complete search history.

(56) **References Cited**

U.S. PATENT DOCUMENTS

D242,632	S	*	12/1976	McPherson	D14/431
D275,956	S	*	10/1984	Culp	D14/431
4,748,319	A	*	5/1988	Sasaki et al.	235/462.49
4,800,257	A	*	1/1989	Johner	235/462.49
4,935,610	A	*	6/1990	Wike, Jr.	235/462.44
D319,228	S	*	8/1991	Mori et al.	D14/431
D320,981	S	*	10/1991	Conversano et al.	D14/431
D321,180	S	*	10/1991	Conversano et al.	D14/431
D330,707	S	*	11/1992	Whitaker	D14/431
D331,750	S	*	12/1992	Yang	D14/411
D344,500	S	*	2/1994	Bruce et al.	D14/431

D390,208	S	*	2/1998	Tominaga et al.	D14/431
D396,463	S	*	7/1998	Nada et al.	D14/431
D407,508	S	*	3/1999	Chiu	D26/37
D419,547	S	*	1/2000	Nada et al.	D14/431
6,213,398	B1	*	4/2001	Southworth et al.	235/454
6,405,926	B1	*	6/2002	Yomogida et al.	235/462.46
D460,074	S	*	7/2002	Ponnert et al.	D14/426
D472,240	S	*	3/2003	Seog	D14/411

* cited by examiner

Primary Examiner—Melanie Tung

Assistant Examiner—Susan Moon Lee

(74) *Attorney, Agent, or Firm*—Alix, Yale & Ristas, LLP

(57) **CLAIM**

The ornamental design for a code reader, as shown and described.

DESCRIPTION

FIG. 1 is a front and left side perspective view of a code reader showing my new design;

FIG. 2 is a rear and right side perspective view thereof;

FIG. 3 is a front elevational view thereof;

FIG. 4 is a rear elevational view thereof;

FIG. 5 is a left side elevational view thereof;

FIG. 6 is a right side elevational view thereof;

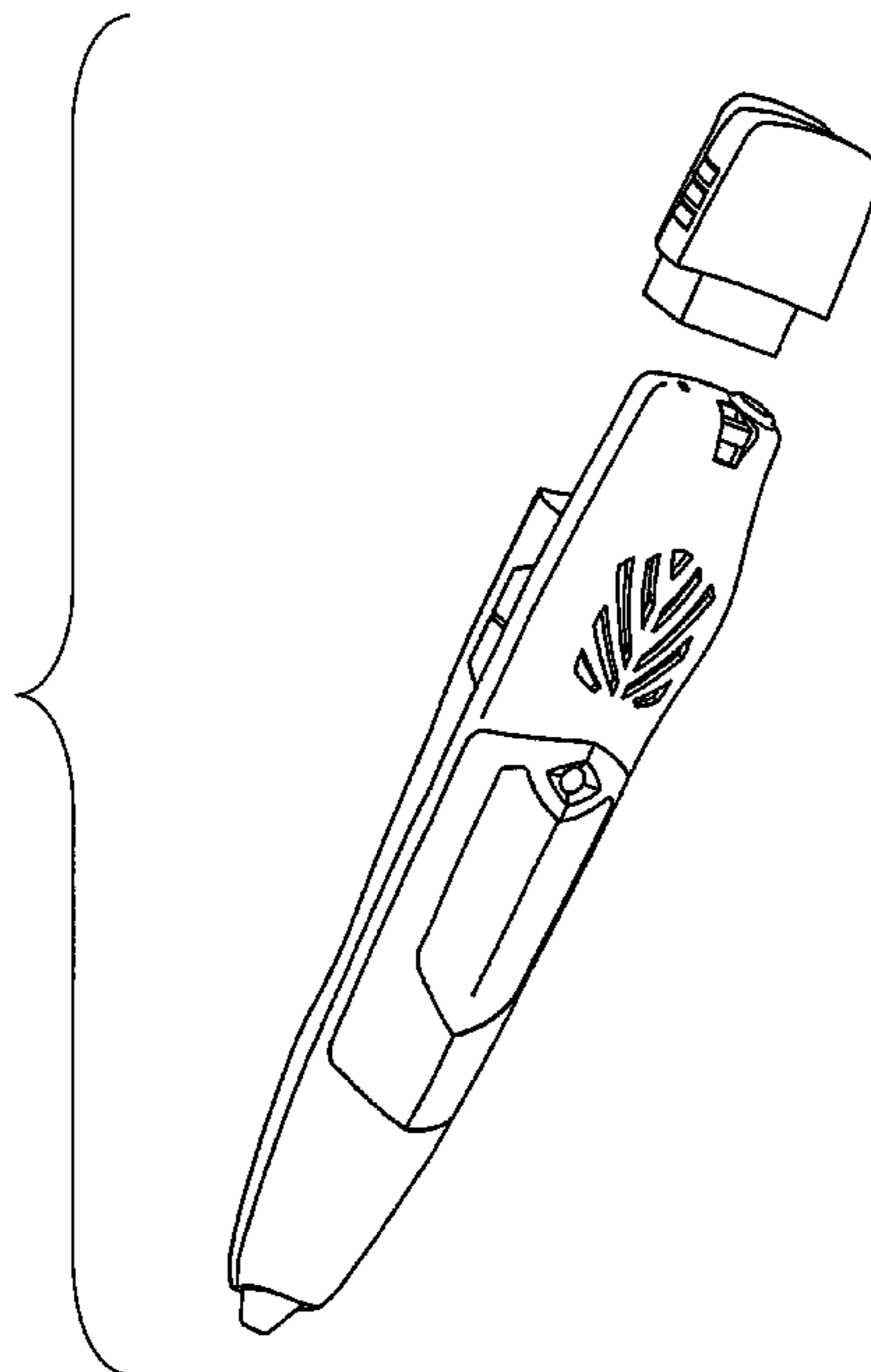
FIG. 7 is a top end view thereof; and

FIG. 8 is a bottom end view thereof; and

FIG. 9 is a front and left side perspective view of the article, with a part thereof separated; and,

FIG. 10 is a rear and right side perspective view of the article, with a part thereof separated.

1 Claim, 9 Drawing Sheets



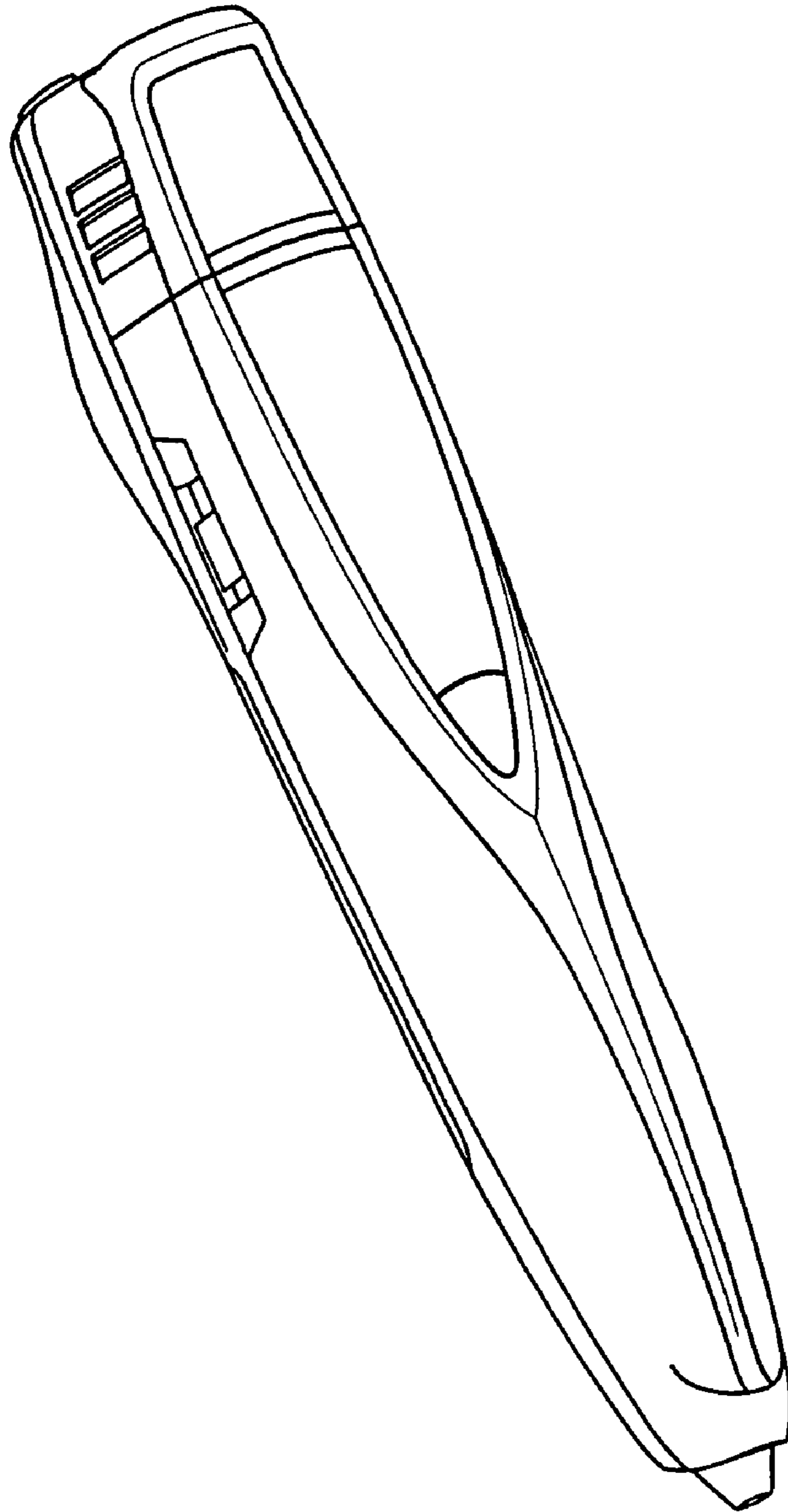


FIG. 1

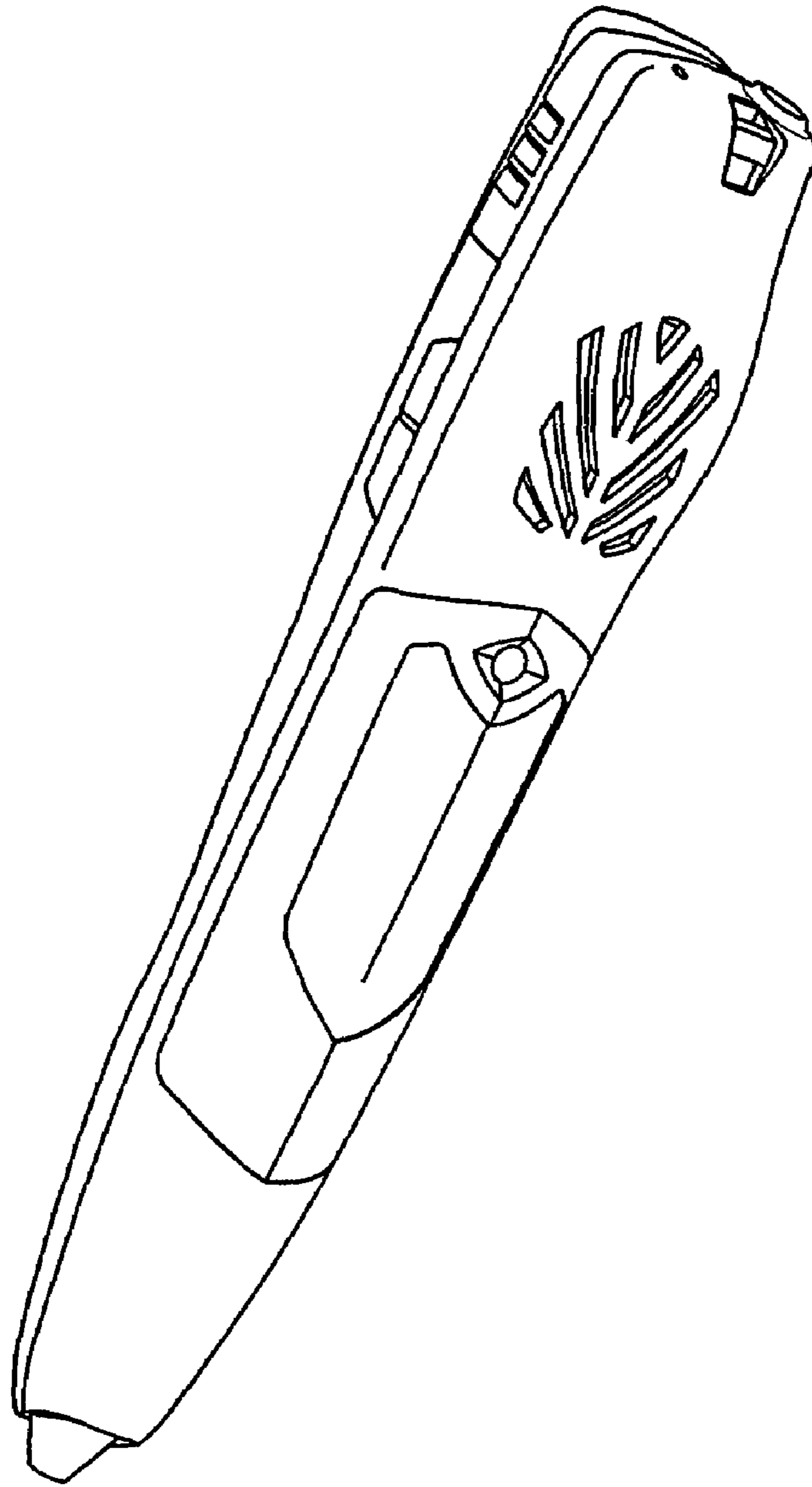


FIG. 2

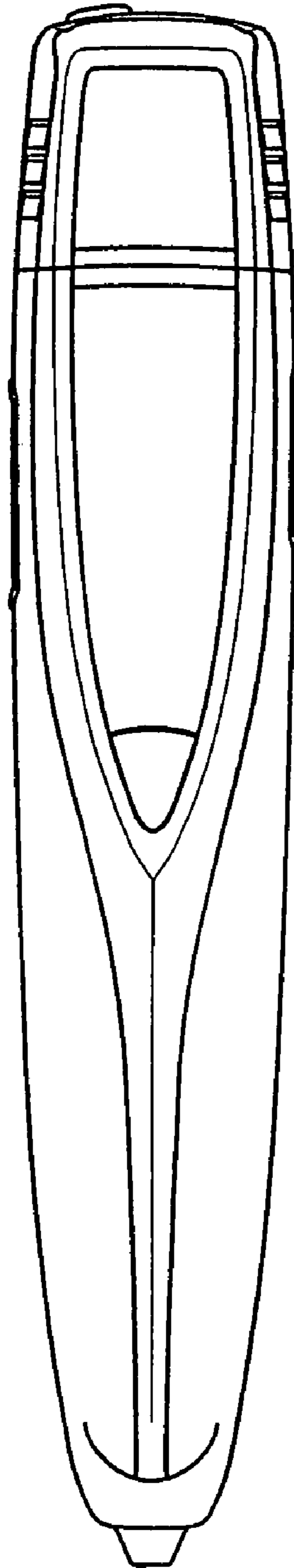


FIG. 3

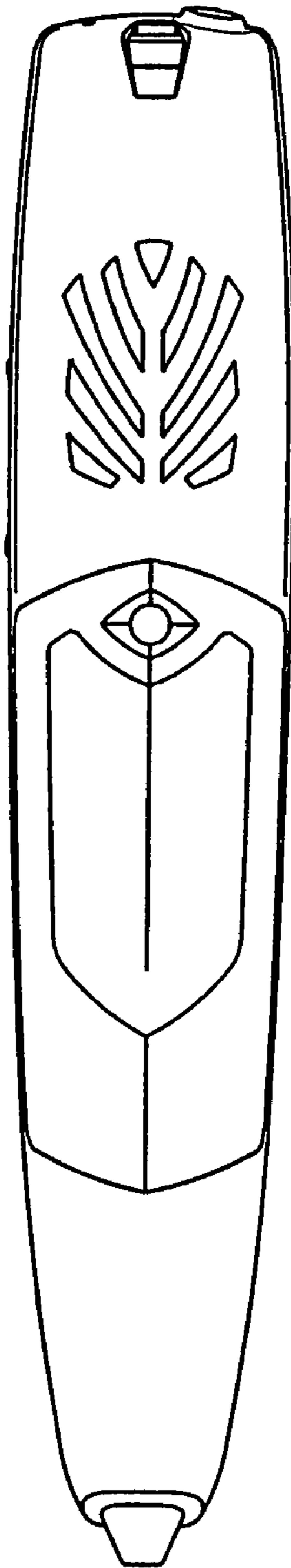


FIG. 4

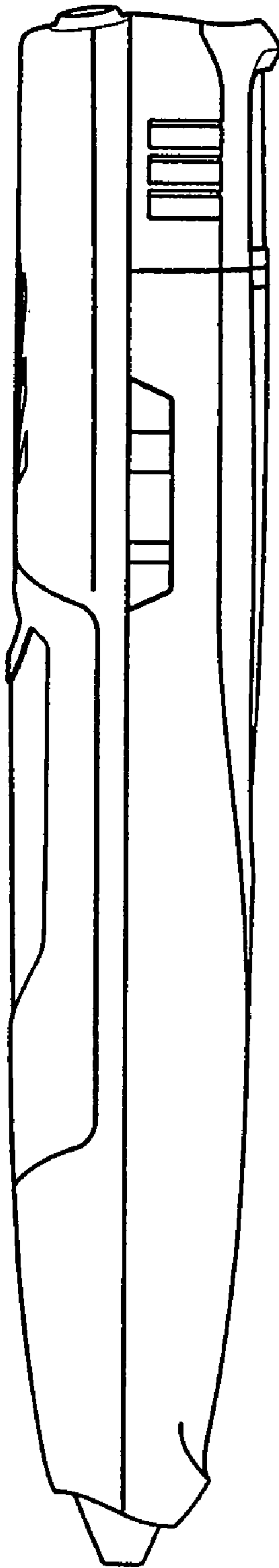


FIG. 5



FIG. 6

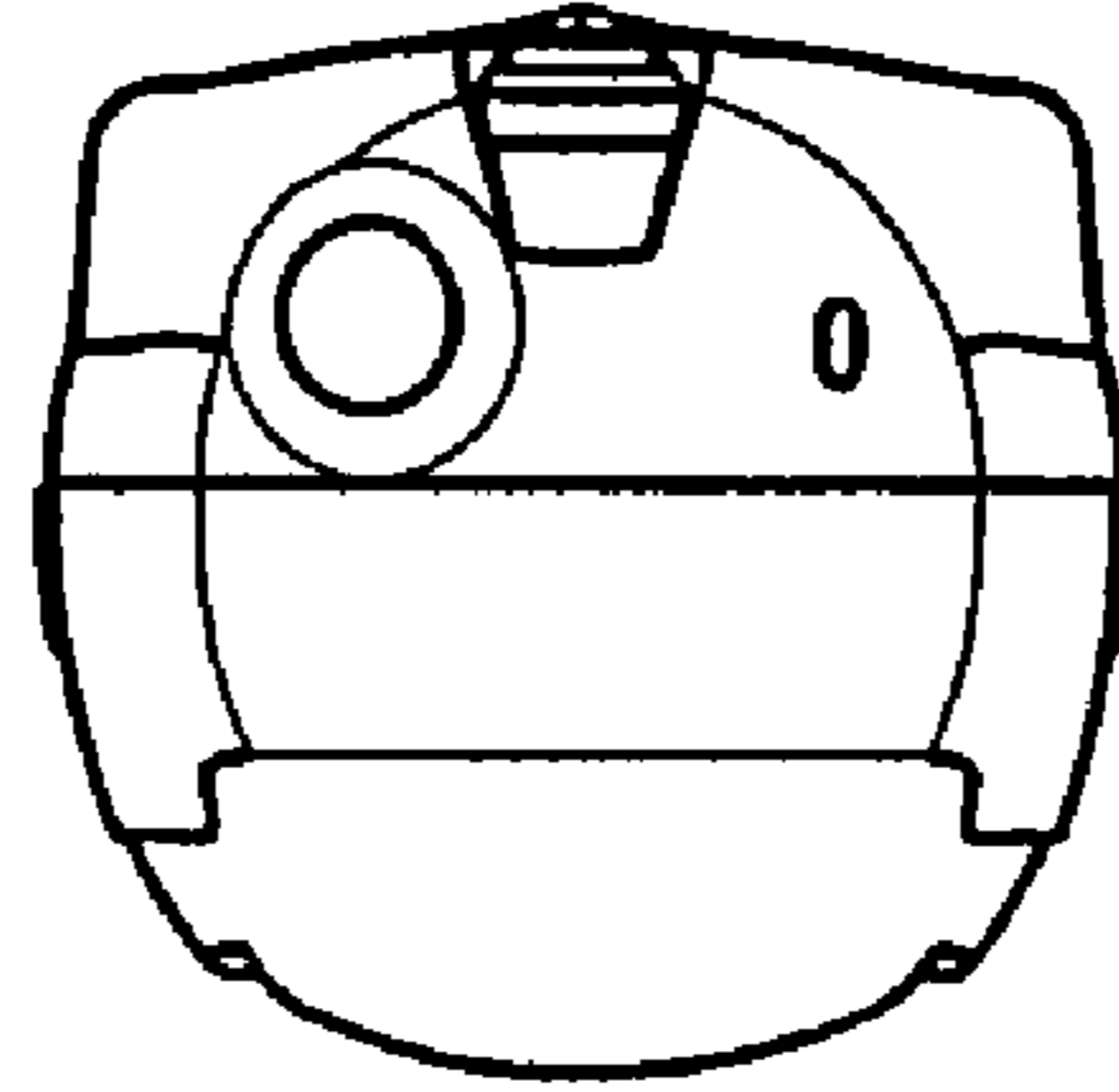


FIG. 7

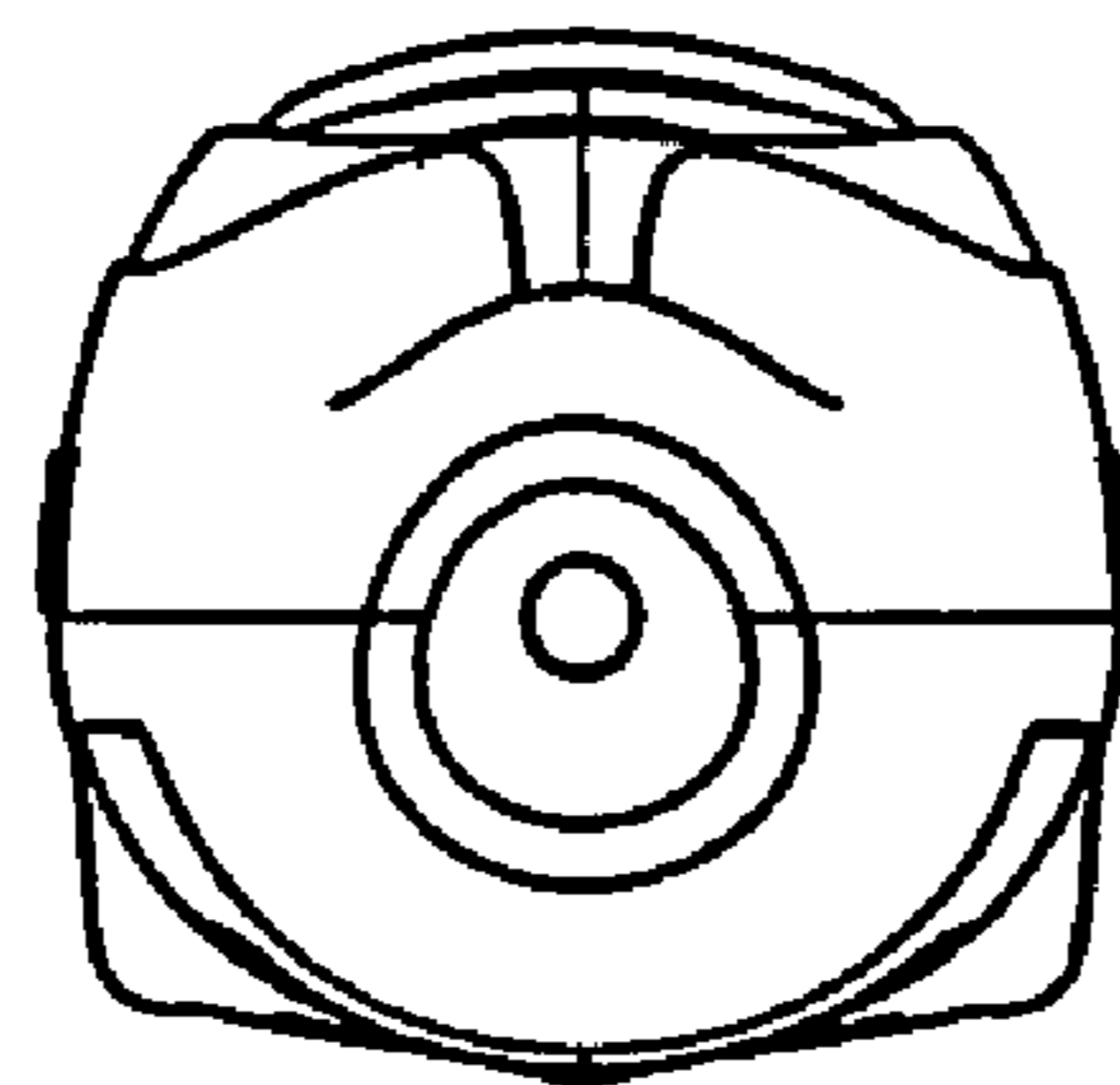


FIG. 8

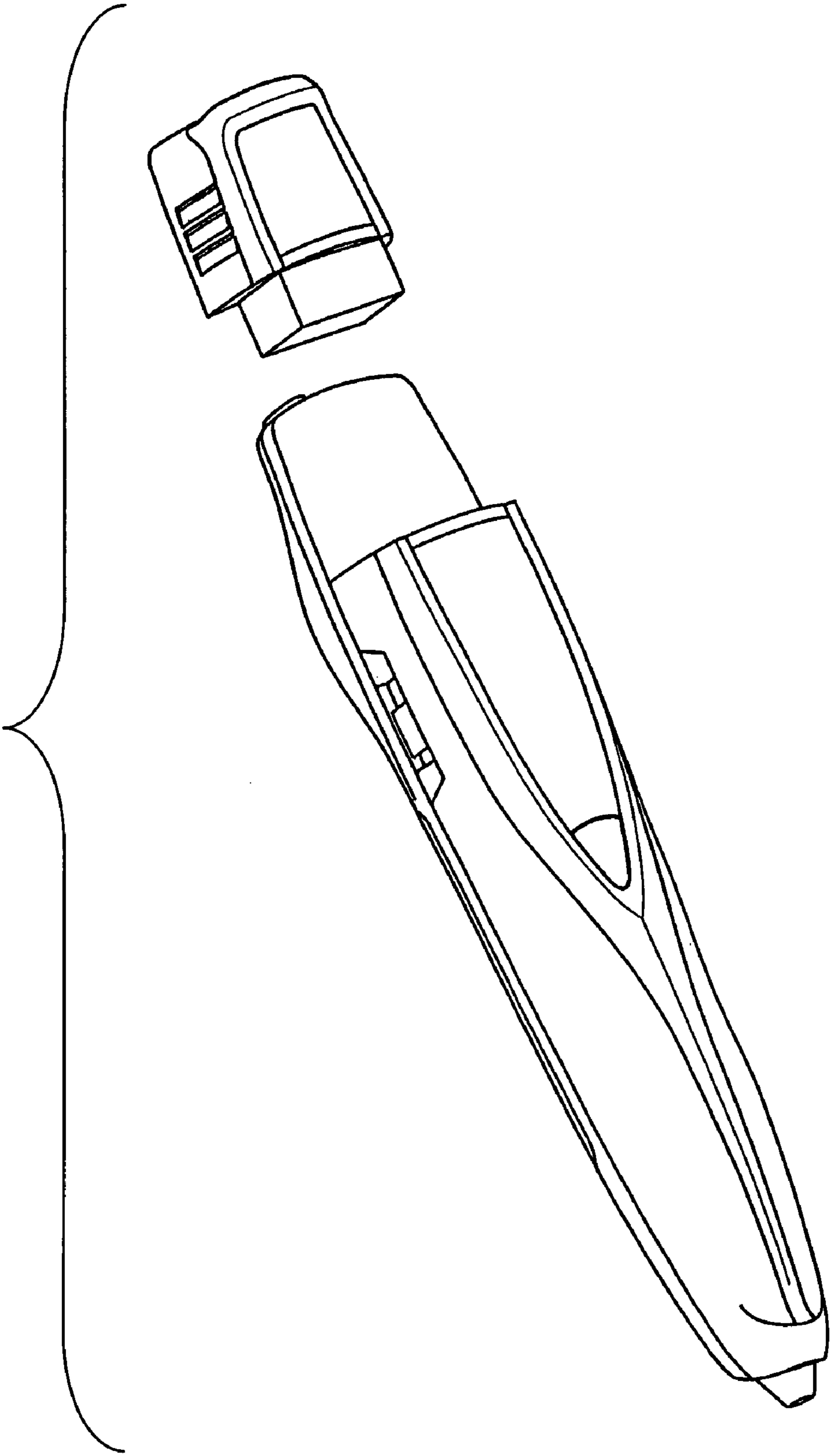


FIG. 9

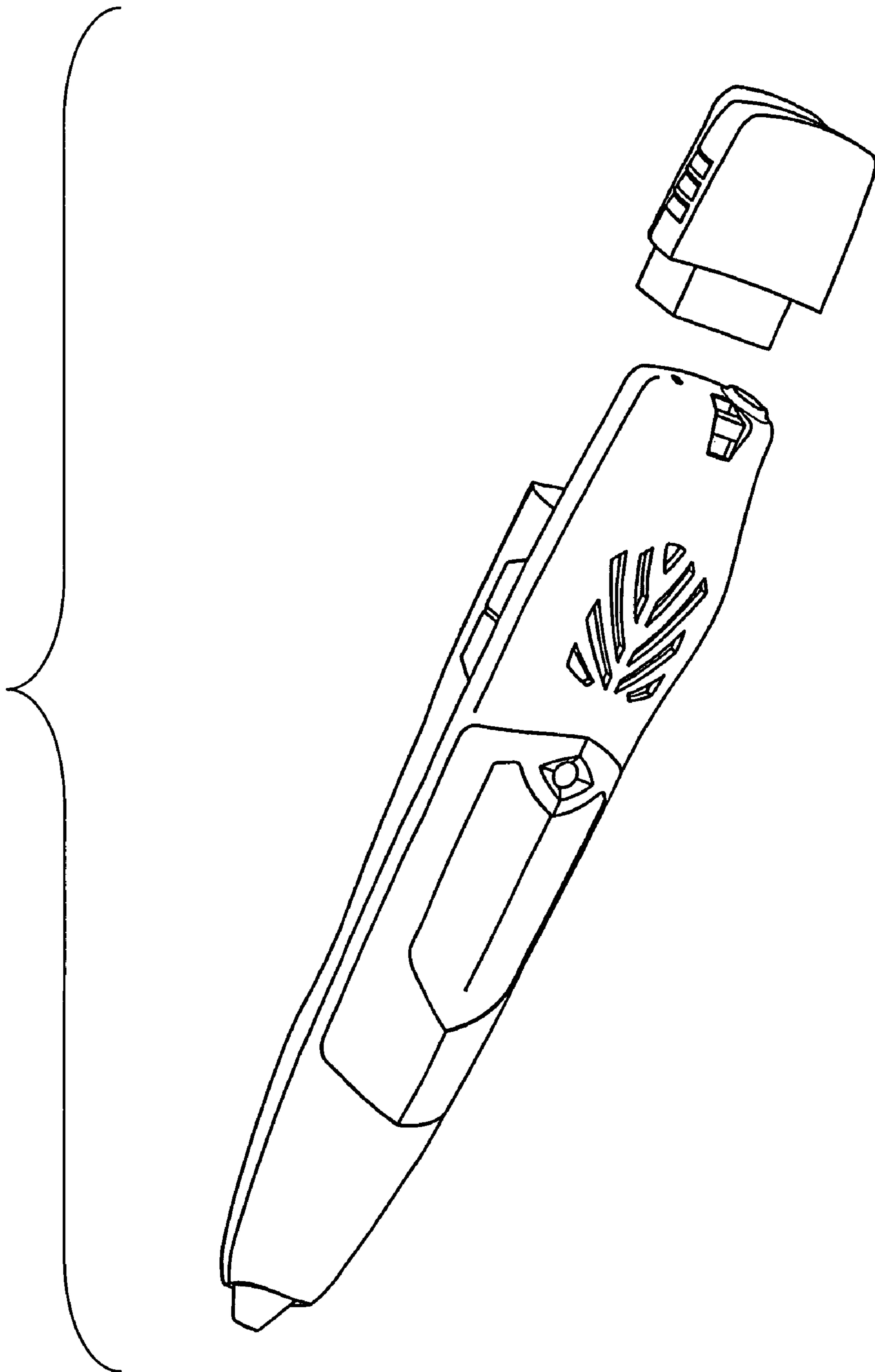


FIG. 10