



US00D574380S

(12) **United States Design Patent**  
**Freed et al.**

(10) **Patent No.:** **US D574,380 S**  
(45) **Date of Patent:** **\*\* Aug. 5, 2008**

(54) **HAND-HELD INVENTORY DATA  
COLLECTION DEVICE**

(75) Inventors: **Robert Freed**, Ojai, CA (US); **Tony Baritz**, Troy, MI (US); **Gary Labbe**, Leonard, MI (US); **Tom Stelman**, Utica, MI (US); **Larry Burk**, Holly, MI (US); **Heather L. Klaubert**, Menlo Park, CA (US); **Adrian Bischoff**, Menlo Park, CA (US)

(73) Assignee: **RGIS, LLC**, Auburn Hills, MI (US)

(\*\*) Term: **14 Years**

(21) Appl. No.: **29/277,093**

(22) Filed: **Feb. 13, 2007**

(51) **LOC (8) Cl.** ..... **14-02**

(52) **U.S. Cl.** ..... **D14/426**

(58) **Field of Classification Search** ..... D14/420,  
D14/426-430, 453, 346, 341, 347, 412, 138;  
D13/107, 184; 358/473; 235/462.43, 462.45,  
235/462.47, 462.48, 462.44, 462.46, 487,  
235/472.01, 472.02, 145 A, 145 R; D10/78;  
324/426; D3/273; 710/73; D18/7; 361/679;  
382/313, 321; 455/575.1, 561, 572; 345/156,  
345/168, 169, 172, 173, 87

See application file for complete search history.

(56) **References Cited**

**U.S. PATENT DOCUMENTS**

D248,946 S \* 8/1978 Koenig ..... D14/429  
D292,401 S \* 10/1987 Lee et al. .... D14/188  
D340,034 S \* 10/1993 Hofstetter et al. .... D14/426  
D355,904 S \* 2/1995 Swartz et al. .... D14/429  
D357,240 S \* 4/1995 Kitazumi et al. .... D14/429  
D381,975 S \* 8/1997 Trausch et al. .... D14/426  
D383,124 S \* 9/1997 Lanzaro et al. .... D14/429  
5,679,943 A \* 10/1997 Schultz et al. .... 235/472.02  
D386,152 S \* 11/1997 Warneke ..... D14/347

D391,234 S \* 2/1998 Chacon et al. .... D14/341  
5,736,726 A \* 4/1998 VanHorn et al. .... 235/472.02  
5,831,819 A \* 11/1998 Chacon et al. .... 361/683  
D414,470 S \* 9/1999 Chacon et al. .... D14/341  
D417,445 S \* 12/1999 Chacon et al. .... D14/399  
6,039,256 A \* 3/2000 Konosu et al. .... 235/462.43  
6,097,606 A \* 8/2000 Groves et al. .... 361/747  
D434,762 S \* 12/2000 Ikenaga ..... D14/371  
6,181,992 B1 \* 1/2001 Gurne et al. .... 701/29  
D447,141 S \* 8/2001 Itoh et al. .... D14/385  
D462,357 S \* 9/2002 Jenkins ..... D14/426  
D463,425 S \* 9/2002 Jenkins ..... D14/347  
D477,598 S \* 7/2003 Mathiowetz et al. .... D14/347  
D490,731 S \* 6/2004 Bradford ..... D10/78  
2002/0060247 A1 \* 5/2002 Krishnaswamy  
et al. .... 235/472.01

\* cited by examiner

*Primary Examiner*—Melanie Tung

*Assistant Examiner*—Susan Moon Lee

(74) *Attorney, Agent, or Firm*—Harness, Dickey & Pierce,  
P.L.C.

(57) **CLAIM**

The ornamental design for a hand-held inventory data collection device, as shown and described.

**DESCRIPTION**

FIG. 1 is a front perspective view of a hand-held inventory data collection device;

FIG. 2 is a left side view thereof;

FIG. 3 is a right side view thereof;

FIG. 4 is a top view thereof;

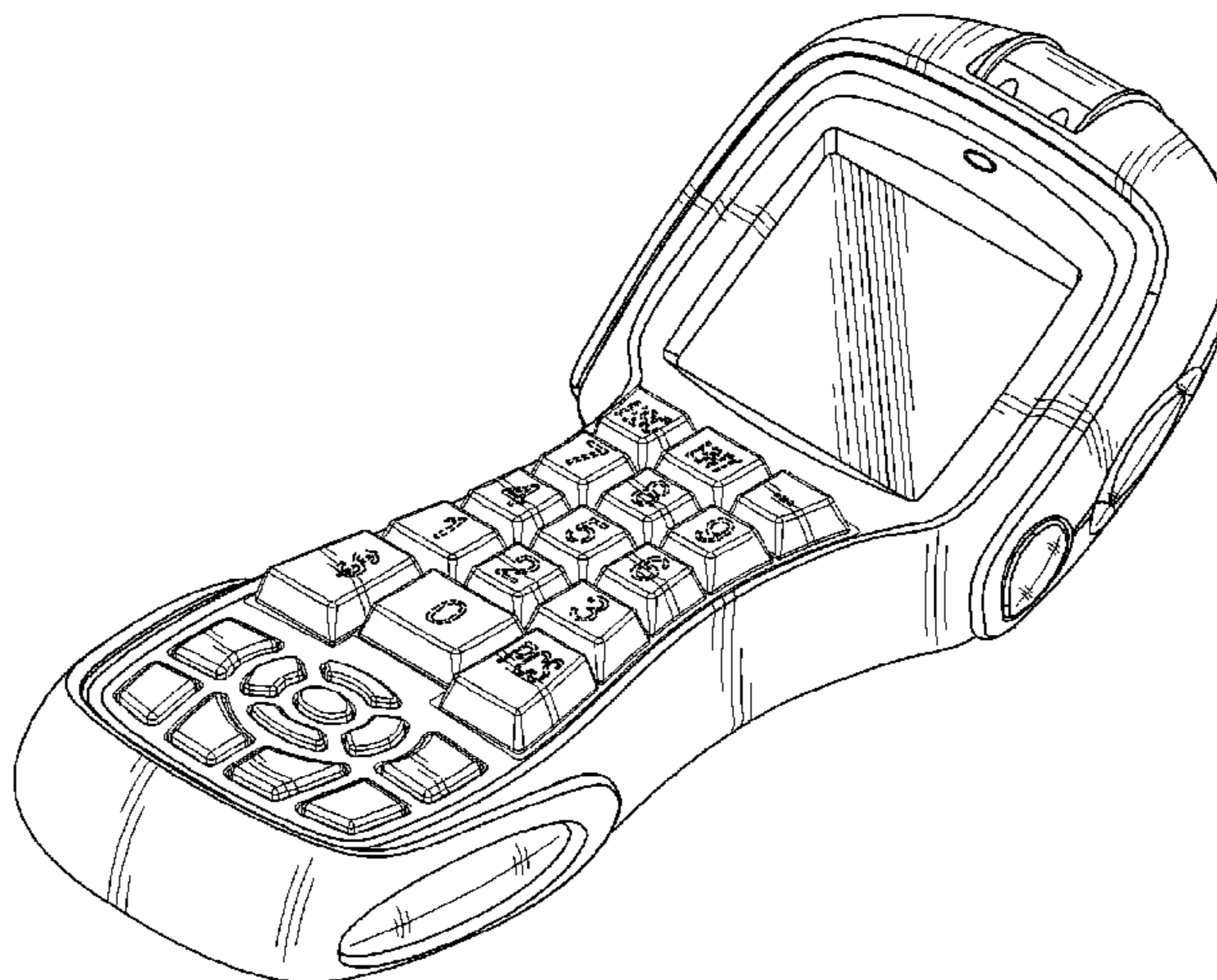
FIG. 5 is a bottom view thereof;

FIG. 6 is a front view thereof; and,

FIG. 7 is a rear view thereof.

The portions shown in broken lines are for illustrative purposes only and form no part of the claimed design.

**1 Claim, 6 Drawing Sheets**



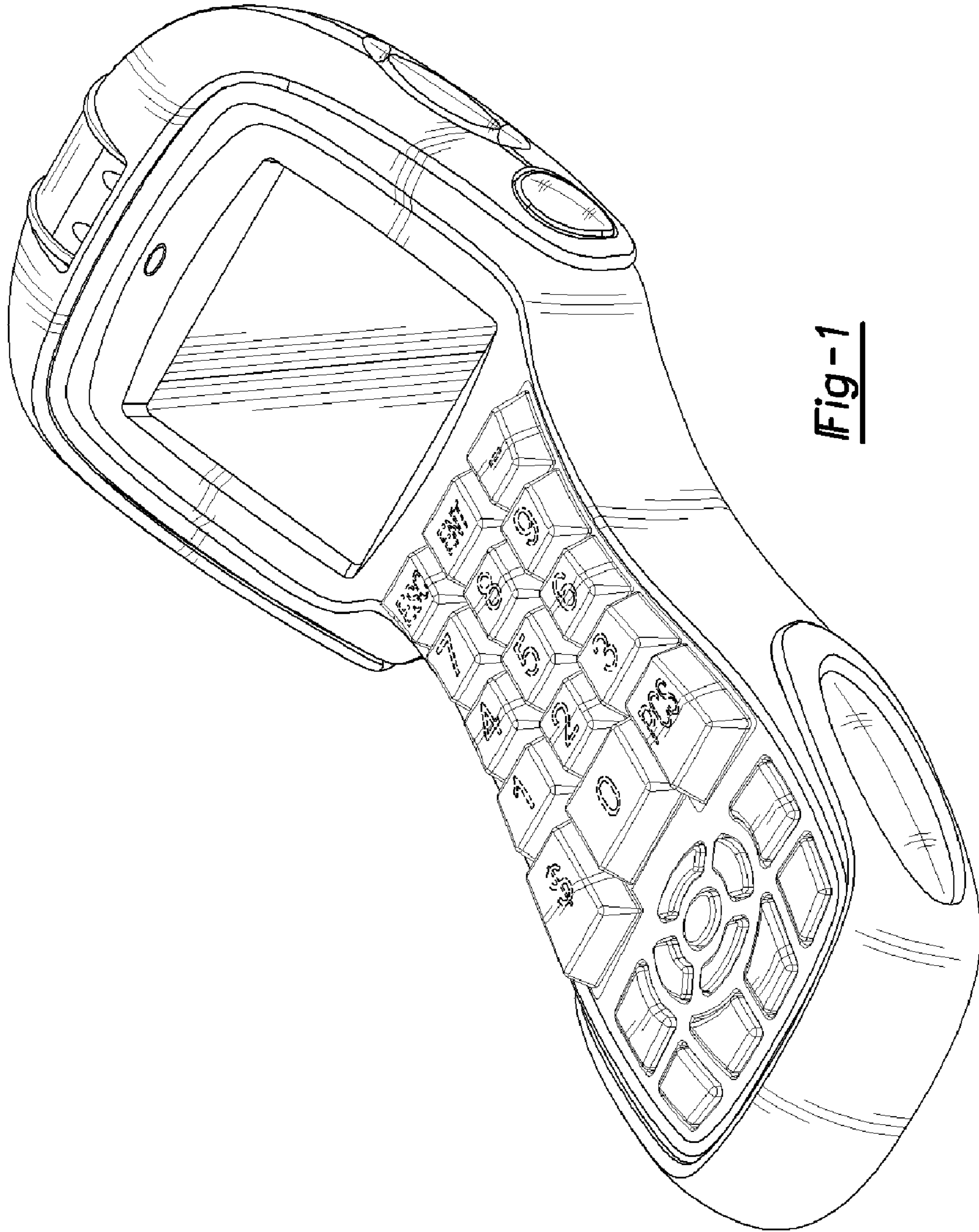


Fig-1

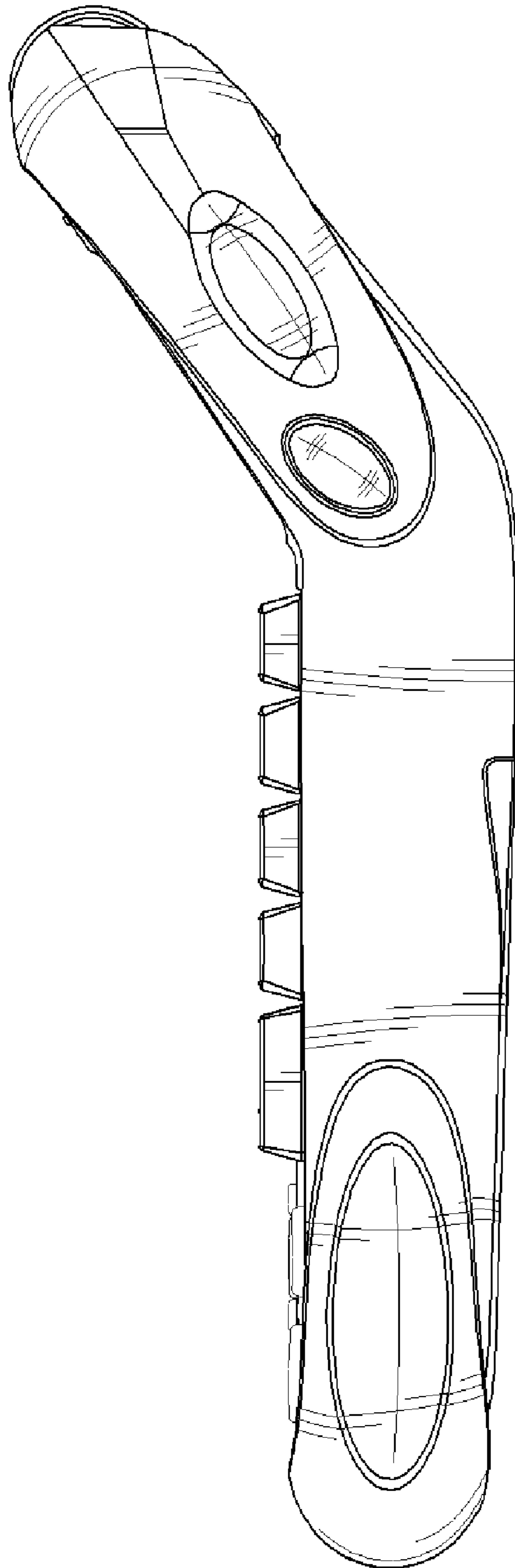


Fig - 2

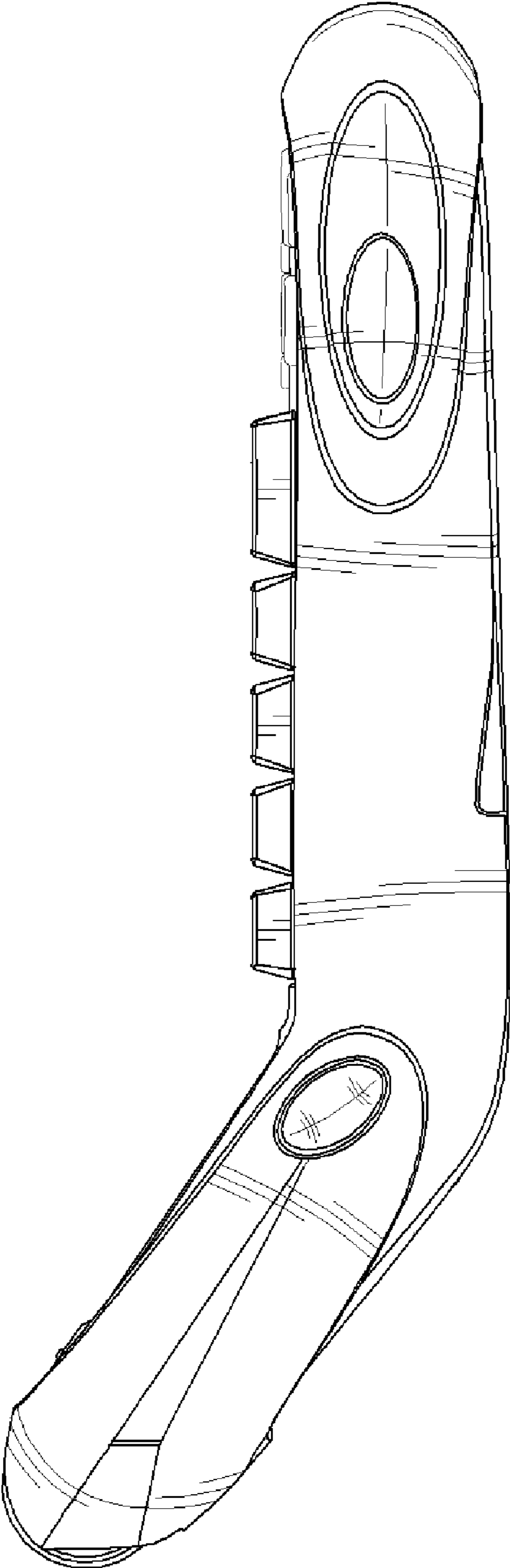


Fig-3

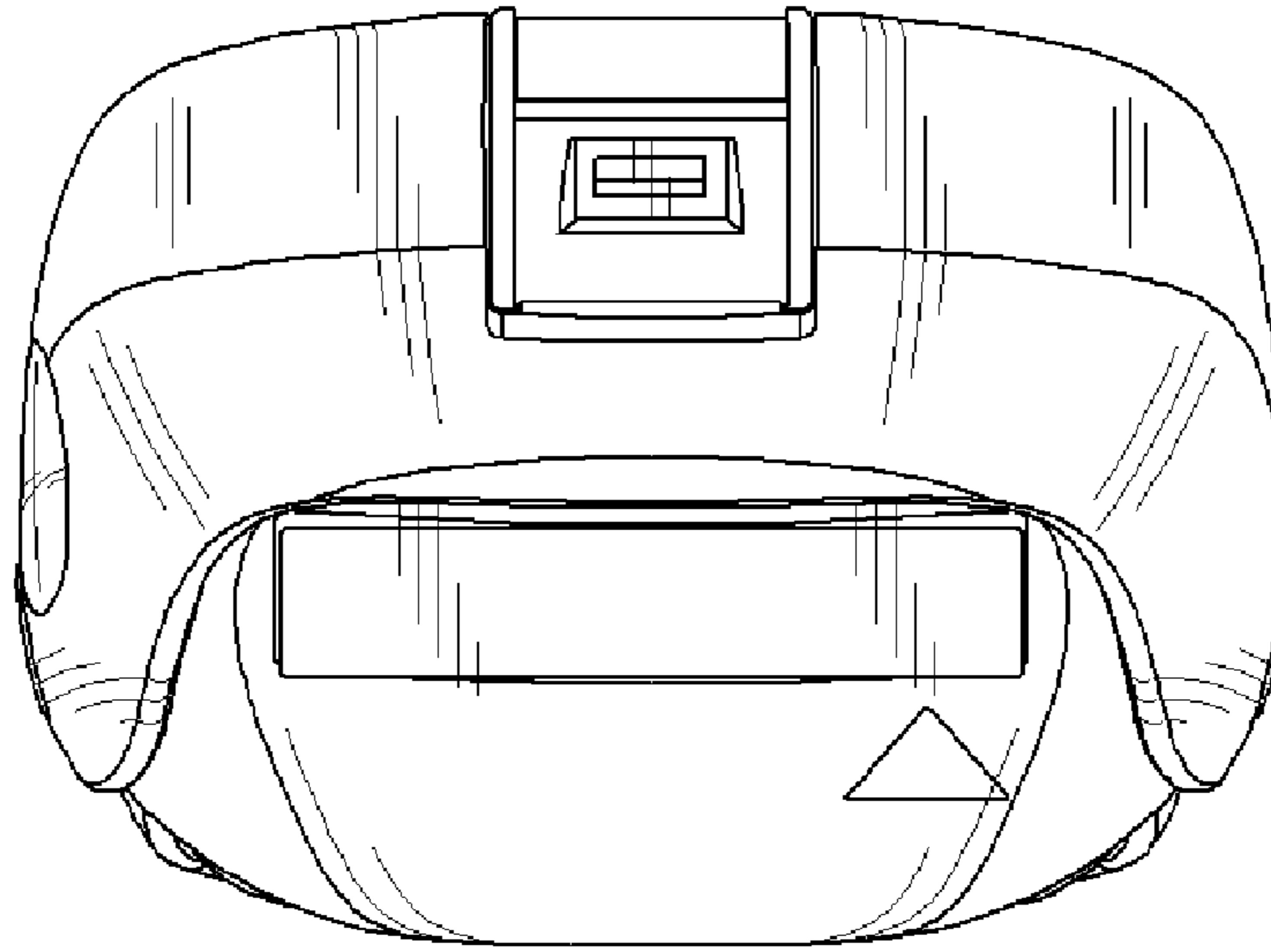


Fig-4

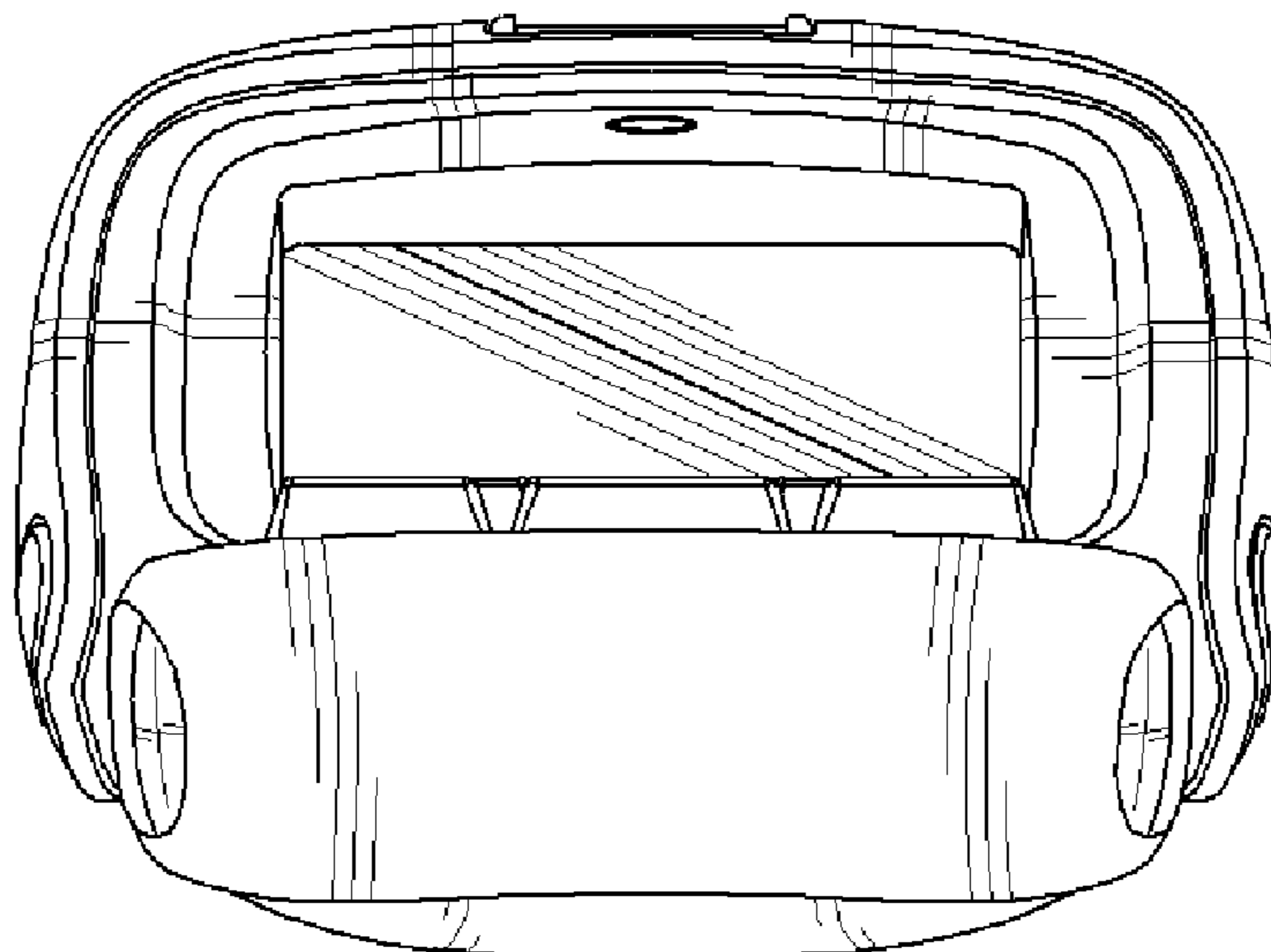


Fig-5

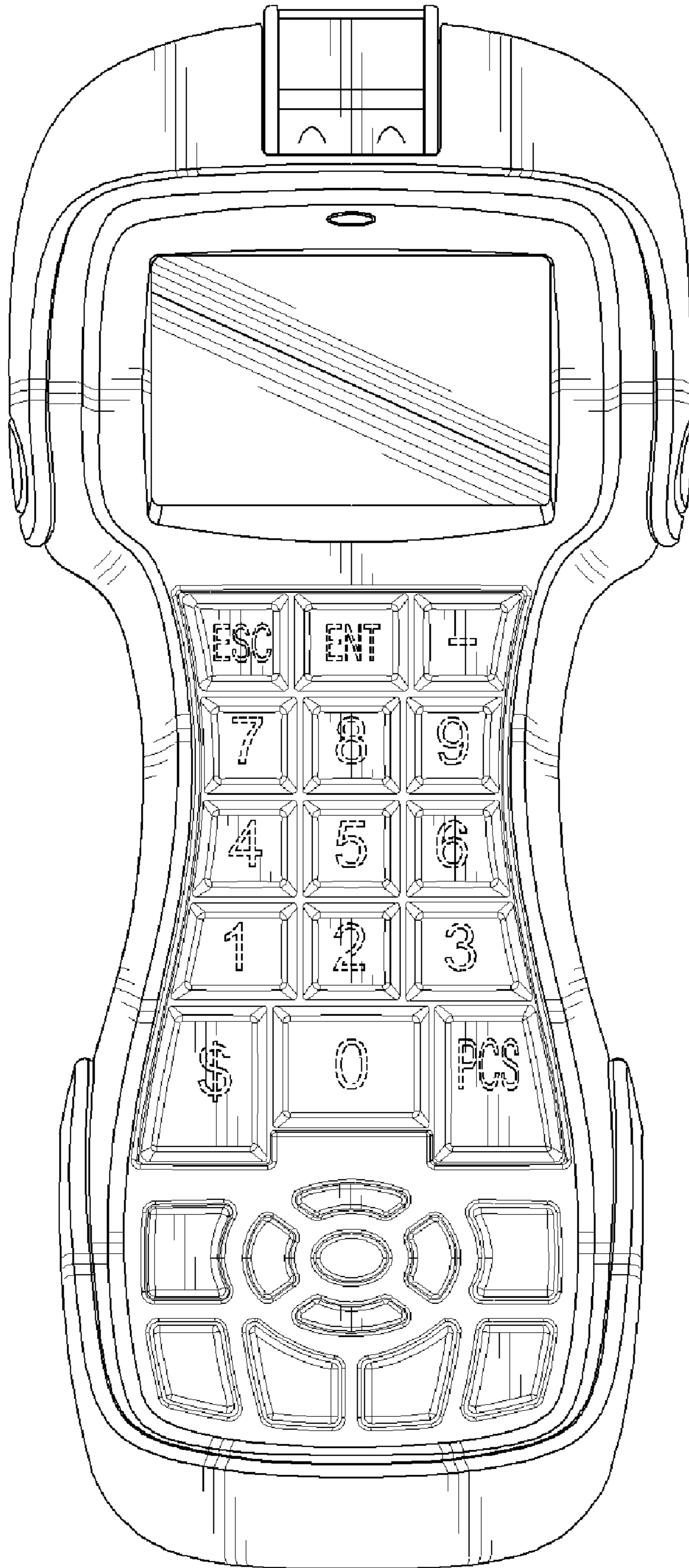


Fig-6

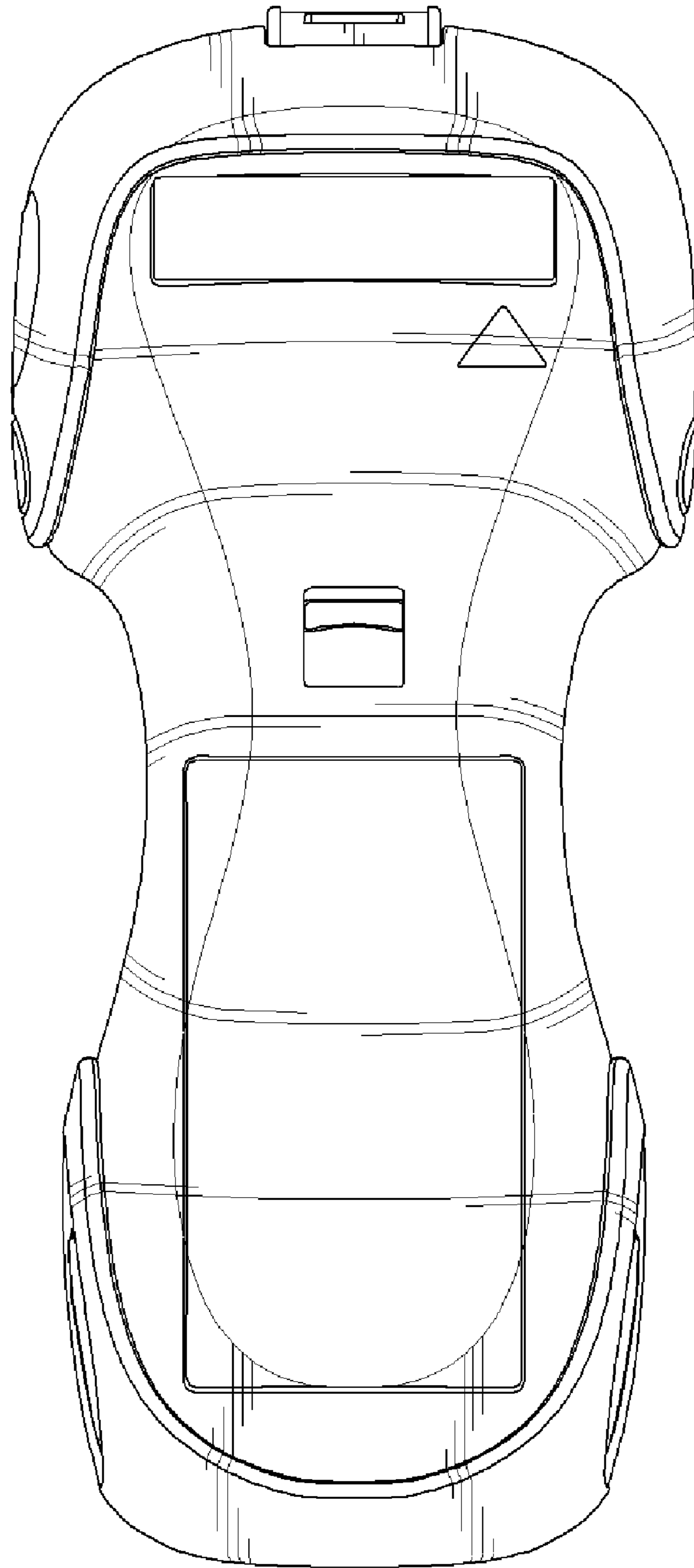


Fig-7