



US00D574379S

(12) **United States Design Patent**  
**Manalo**

(10) **Patent No.:** **US D574,379 S**  
(45) **Date of Patent:** **\*\* Aug. 5, 2008**

(54) **PORTION OF AN ELECTRONIC MOUSE**

(75) Inventor: **Gil Manalo**, Redmond, WA (US)

(73) Assignee: **Microsoft Corporation**, Redmond, WA (US)

(\*\*) Term: **14 Years**

(21) Appl. No.: **29/298,183**

(22) Filed: **Nov. 30, 2007**

**Related U.S. Application Data**

(63) Continuation of application No. 29/283,987, filed on Aug. 28, 2007.

(51) **LOC (8) Cl.** ..... **14-02**

(52) **U.S. Cl.** ..... **D14/406; D14/402**

(58) **Field of Classification Search** ..... D14/402-410,  
D14/417; 235/472.01; 345/156-167; 365/49;  
463/36-38; 200/5 A, 5 R, 6 A, 6 R; 273/148 B;  
D21/333

See application file for complete search history.

(56) **References Cited**

**U.S. PATENT DOCUMENTS**

D514,572 S \* 2/2006 Chang ..... D14/409

D523,013 S \* 6/2006 Twohig et al. .... D14/408  
D524,294 S \* 7/2006 Bear et al. .... D14/218  
D527,006 S \* 8/2006 Francz et al. .... D14/402  
D532,787 S \* 11/2006 Lu ..... D14/408  
D533,554 S \* 12/2006 Sheehan et al. .... D14/409  
D545,822 S \* 7/2007 Murakami ..... D14/407

\* cited by examiner

*Primary Examiner*—Pamela J Burgess

(74) *Attorney, Agent, or Firm*—Banner & Witcoff, Ltd.

(57) **CLAIM**

The ornamental design for a portion of an electronic mouse, as shown and described.

**DESCRIPTION**

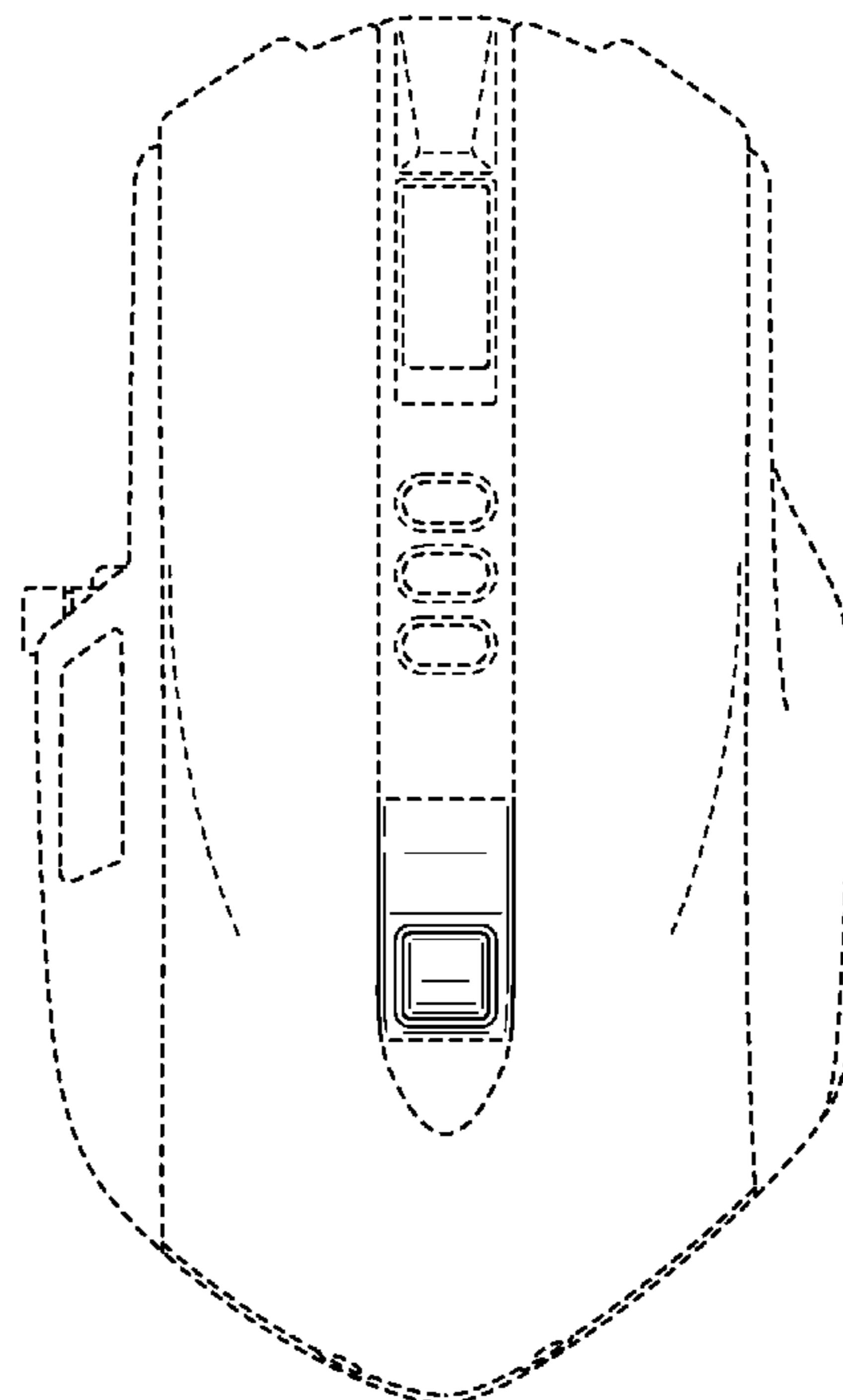
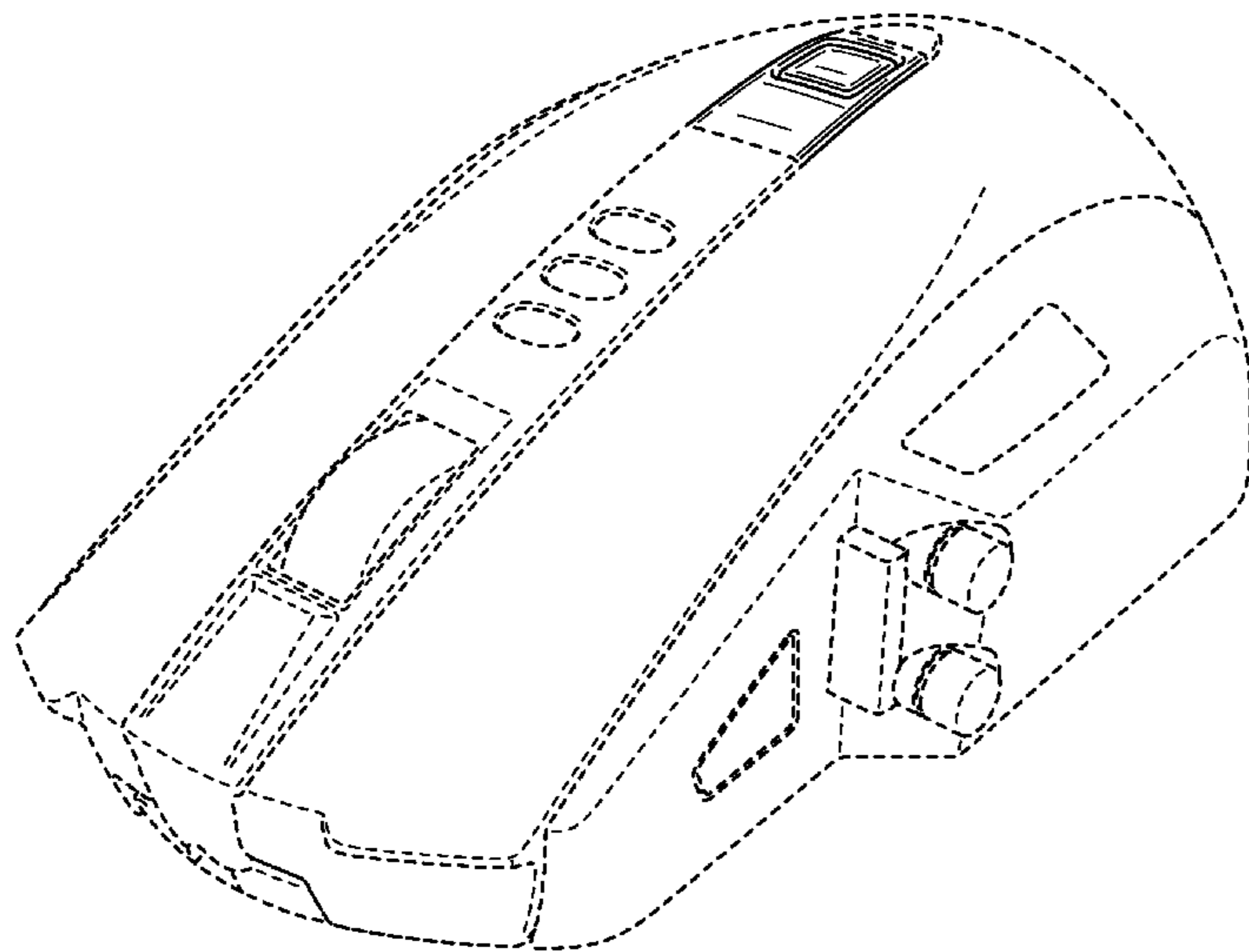
FIG. 1 is a front perspective view of a portion of an electronic mouse showing my new design;

FIG. 2 is a rear perspective view thereof; and,

FIG. 3 is a top view thereof.

The broken line showing of various regions and the unshaded areas there within form no part of the claimed design.

**1 Claim, 3 Drawing Sheets**



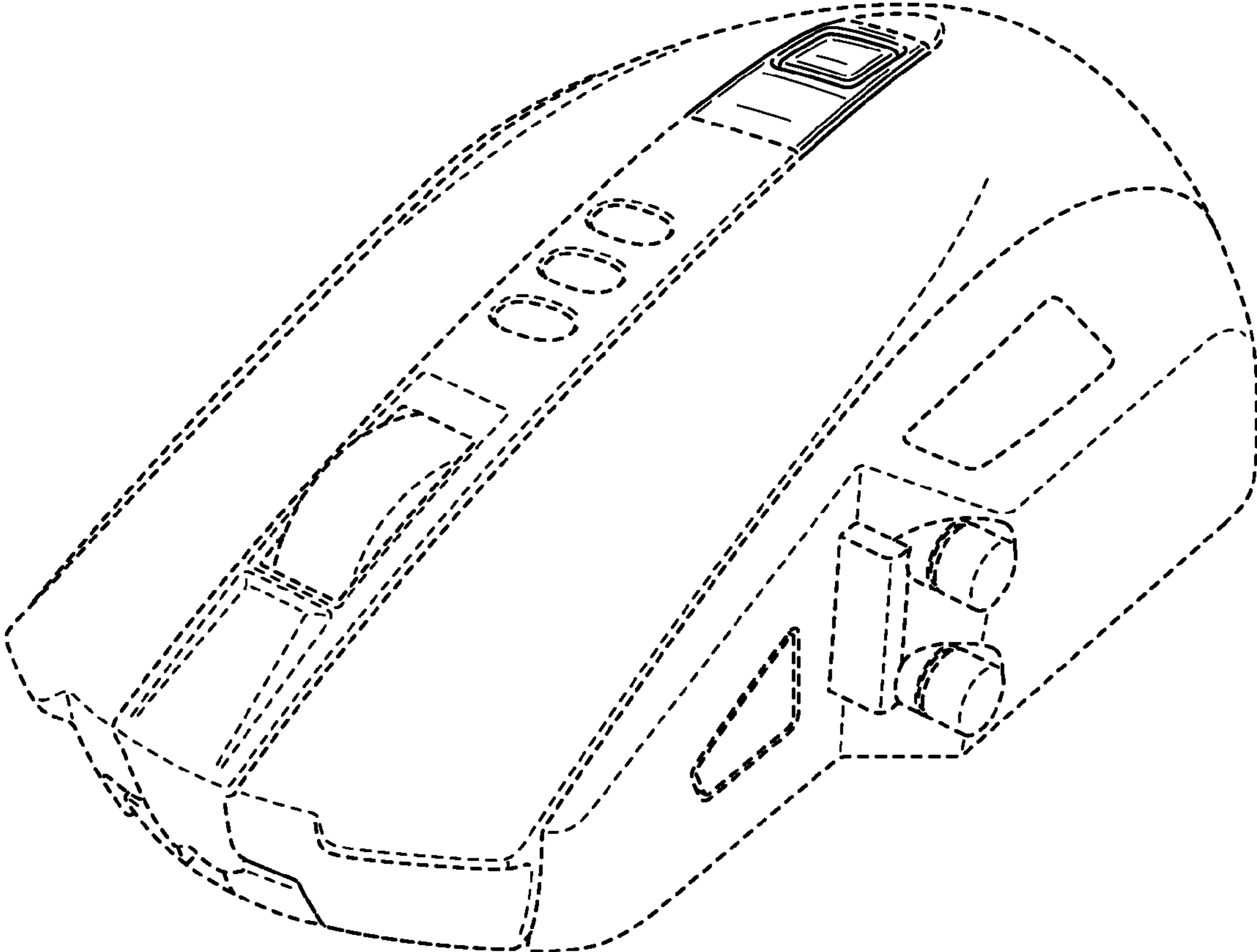


FIG. 1

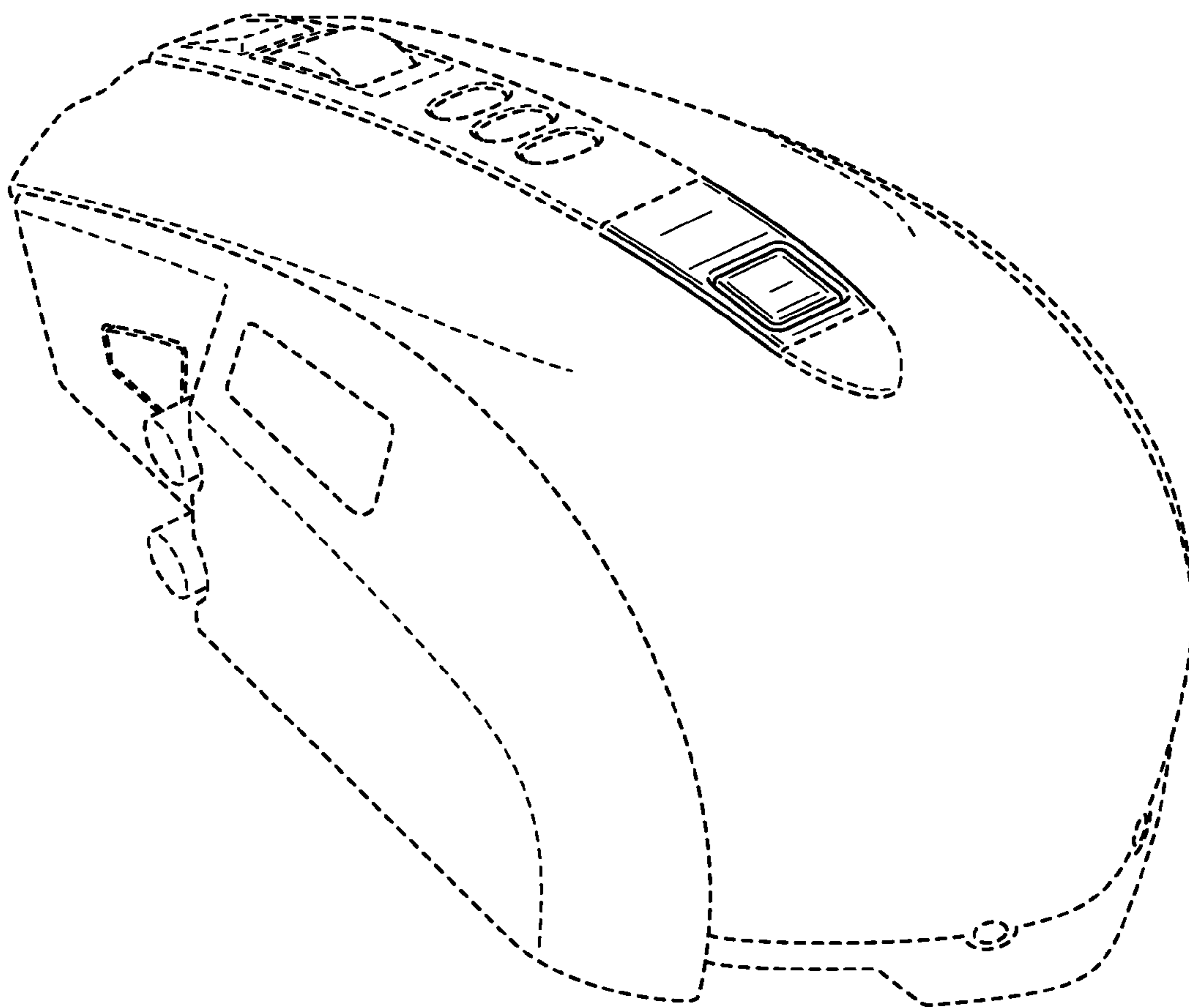


FIG. 2

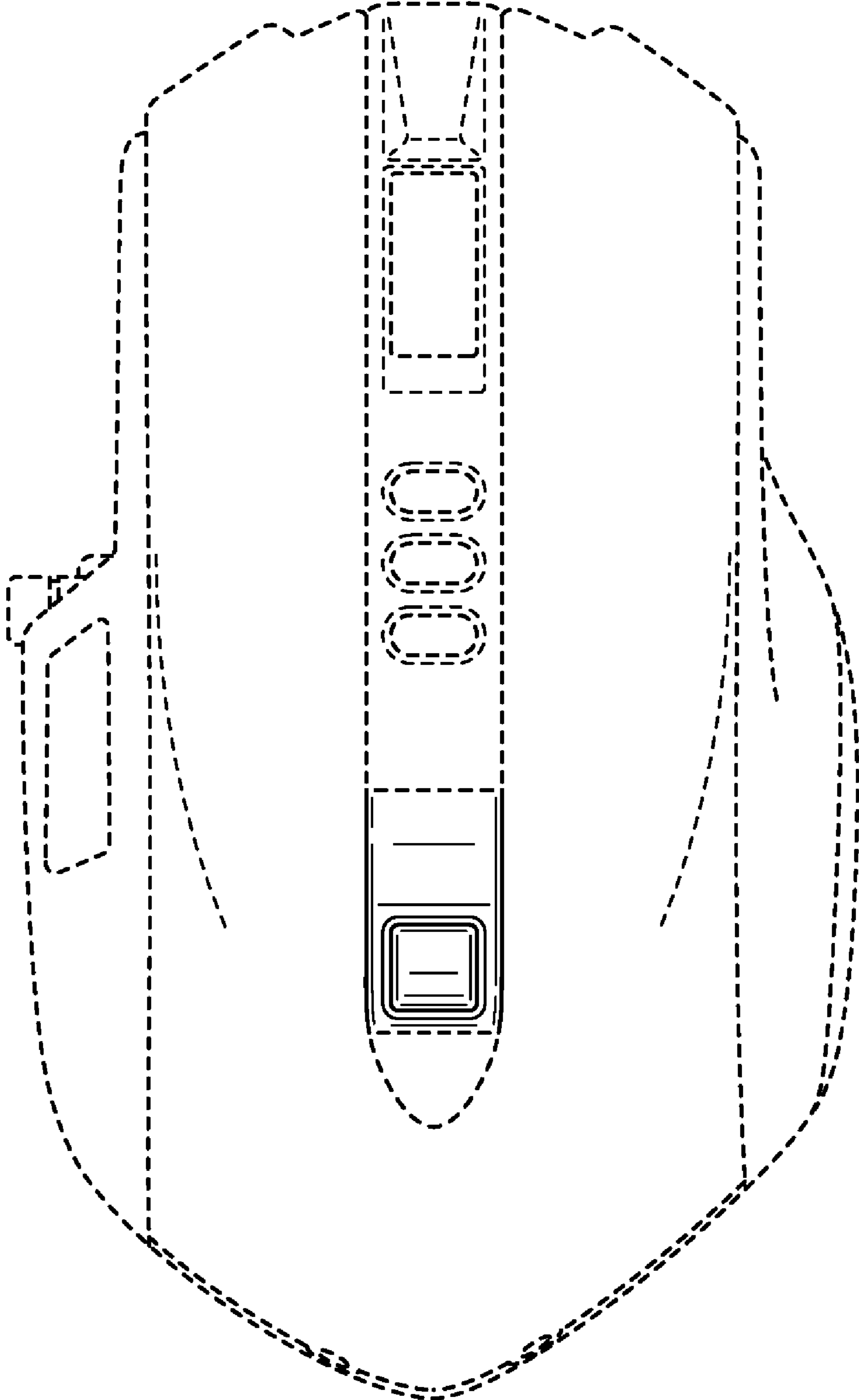


FIG. 3