



US00D574376S

(12) **United States Design Patent**
Park

(10) **Patent No.:** **US D574,376 S**

(45) **Date of Patent:** **** Aug. 5, 2008**

(54) **FRONT PANEL FOR A GENERAL ELECTRONIC DEVICE**

(76) Inventor: **Hyun Park**, Kaiser Palece 101-1704, 392-12, Jakjun-Dong, Geyyang-Gu, Incheon (KR)

(**) Term: **14 Years**

(21) Appl. No.: **29/278,776**

(22) Filed: **Apr. 9, 2007**

(51) **LOC (8) Cl.** **14-01**

(52) **U.S. Cl.** **D14/257**

(58) **Field of Classification Search** D14/257, D14/258, 224, 217, 198, 197, 193, 192, 188, D14/168, 167, 165, 164, 163, 162, 161, 160, D14/157, 156, 154, 136, 135; 720/691, 658, 720/270; 455/344, 575.1; 396/434, 93; 386/1; 369/93, 75.1; 360/47, 4; 359/550, 258; 349/460, 349/159, 10

See application file for complete search history.

(56) **References Cited**

U.S. PATENT DOCUMENTS

D373,589 S *	9/1996	Peterson et al.	D14/257
D509,199 S *	9/2005	Haase et al.	D14/137
D511,333 S *	11/2005	Lai et al.	D14/136
D514,119 S *	1/2006	Tseng	D14/496
D541,811 S *	5/2007	Park	D14/496

* cited by examiner

Primary Examiner—Robert M. Spear
Assistant Examiner—Katrina A Kile
(74) *Attorney, Agent, or Firm*—Harness, Dickey & Pierce, P.L.C.

(57) **CLAIM**

The ornamental design for a front panel for a general electronic device, as shown and described.

DESCRIPTION

FIG. 1 is a perspective view of the front panel for a general electronic device showing my new design in a closed configuration;

FIG. 2 is a front view thereof;

FIG. 3 is a top view thereof;

FIG. 4 is a bottom view thereof;

FIG. 5 is a left view thereof; and

FIG. 6 is a right view thereof.

FIG. 7 is a perspective view of the front panel for a general electronic device showing my new design in an open configuration;

FIG. 8 is a front view thereof;

FIG. 9 is a top view thereof;

FIG. 10 is a bottom view thereof;

FIG. 11 is a left view thereof; and,

FIG. 12 is a right view thereof.

The broken lines shown in the drawings are for illustrative purposes only and form no part of the claimed design.

1 Claim, 8 Drawing Sheets

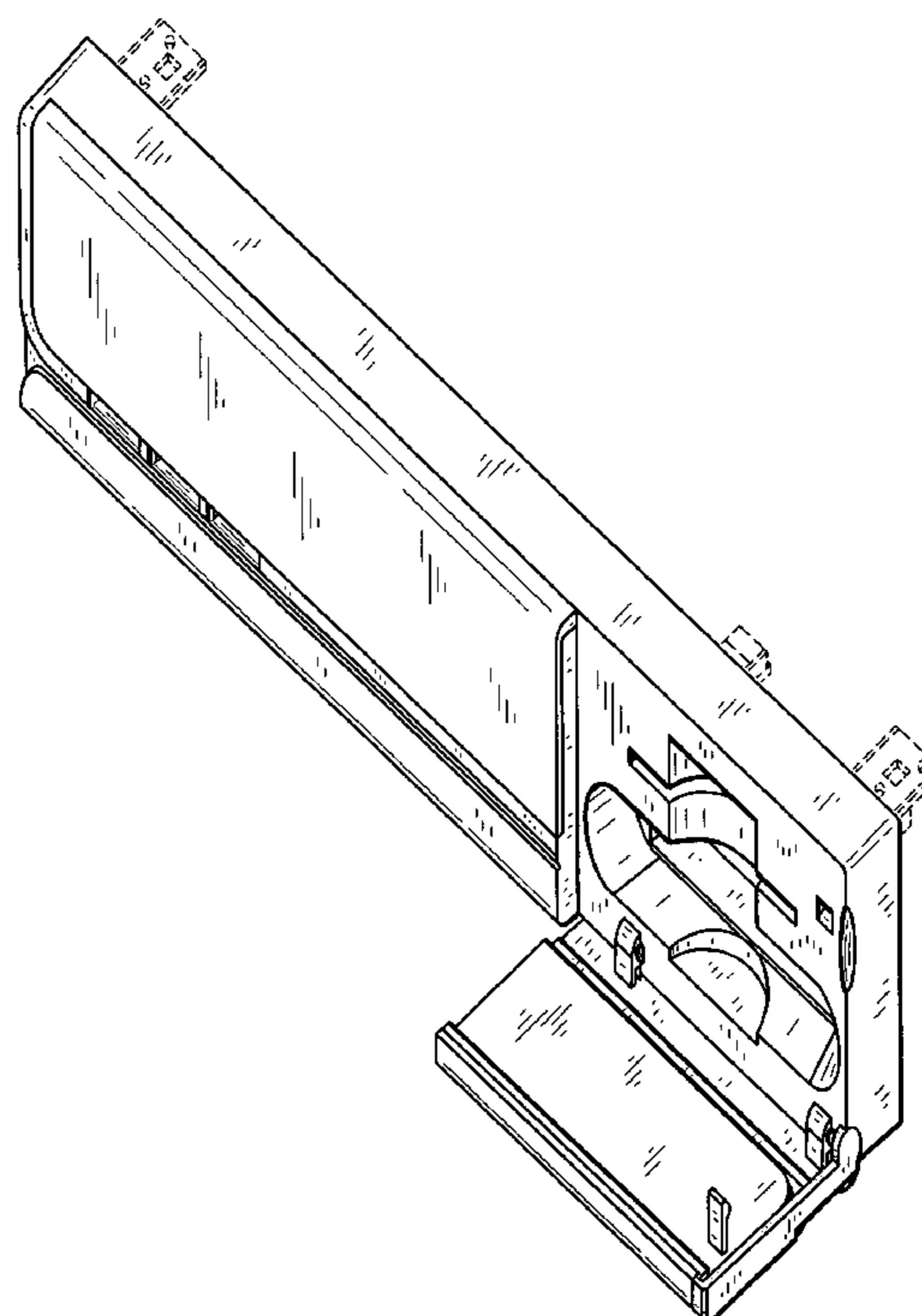
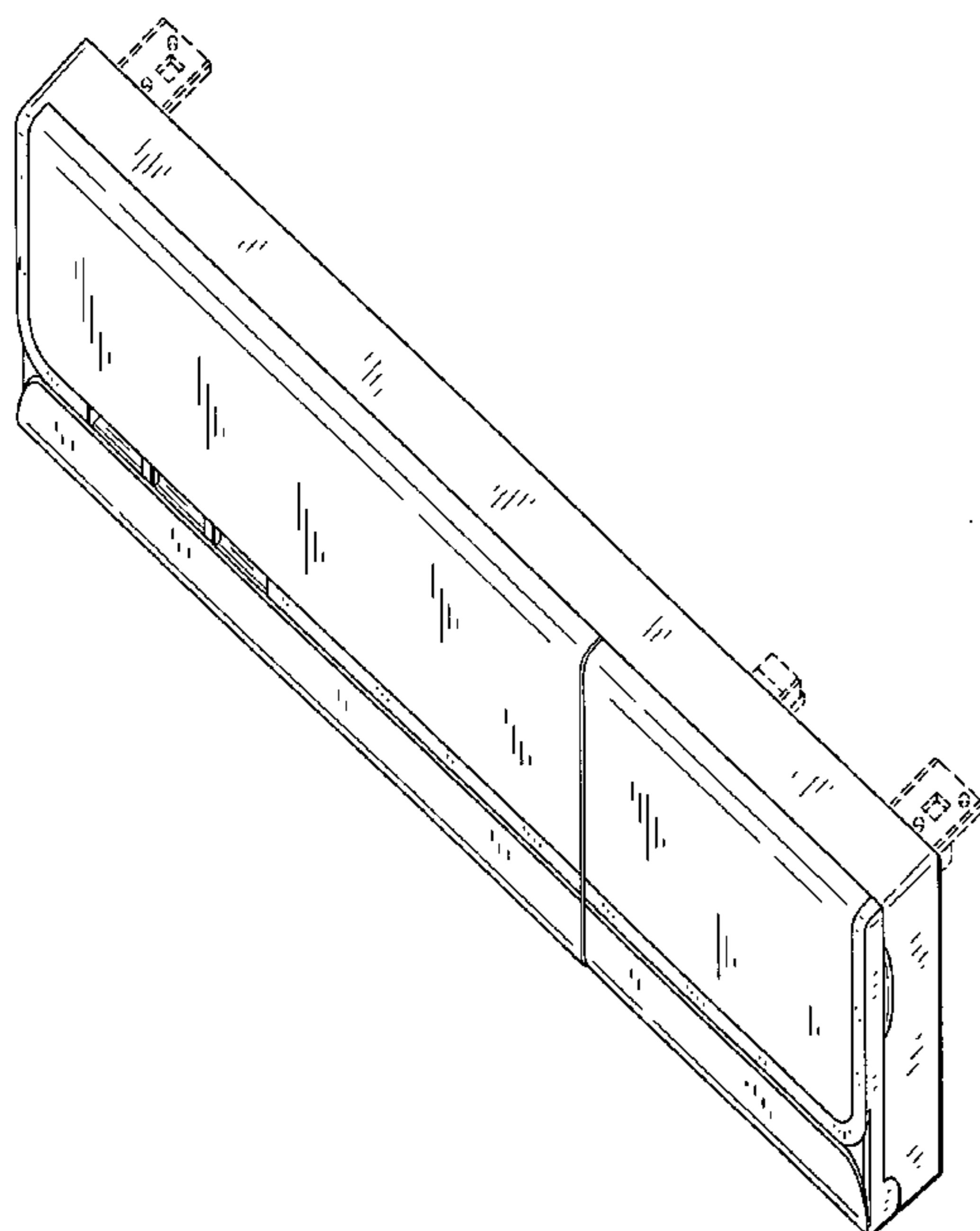


FIG. 1

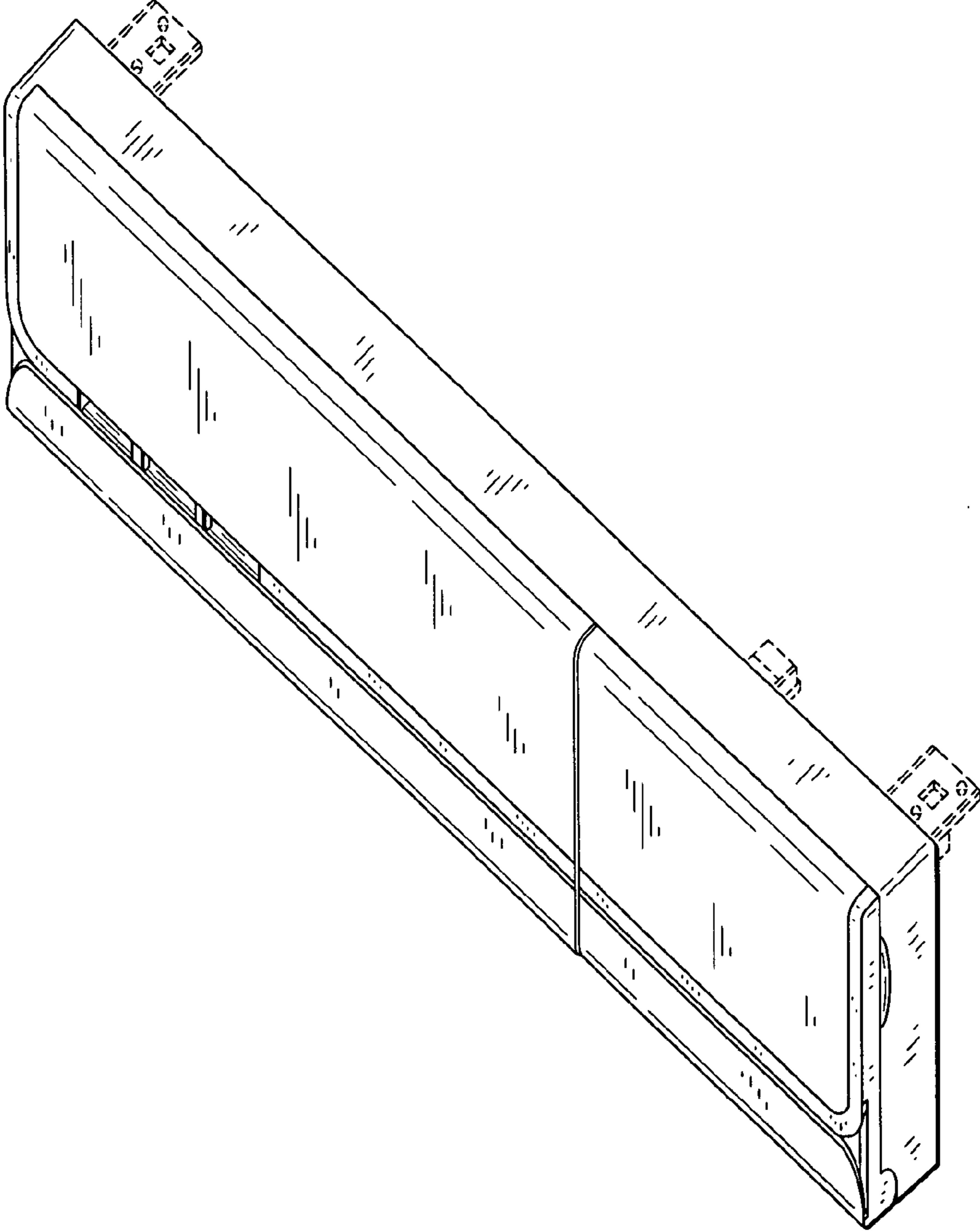


FIG. 2

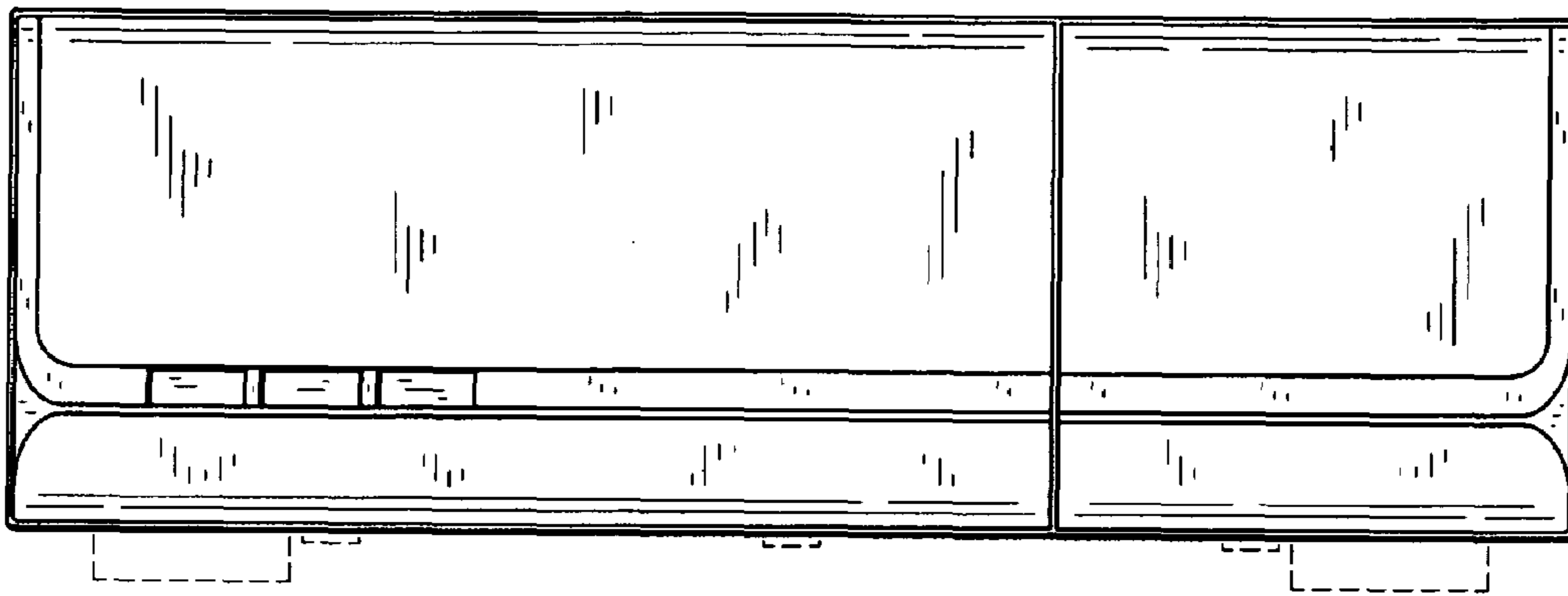


FIG. 3

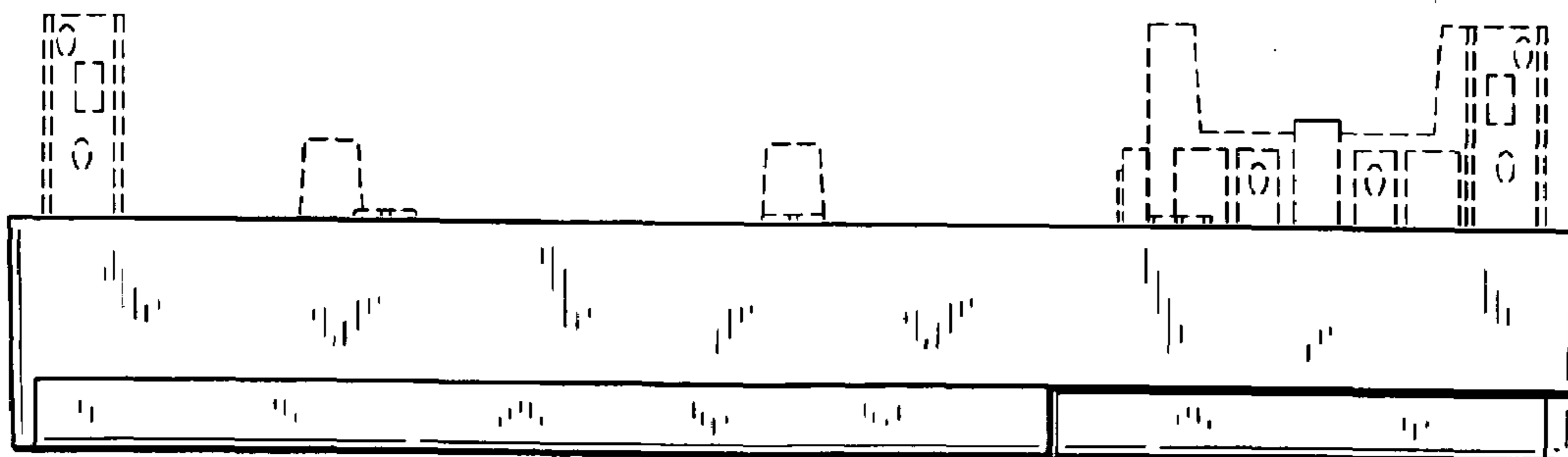


FIG. 4

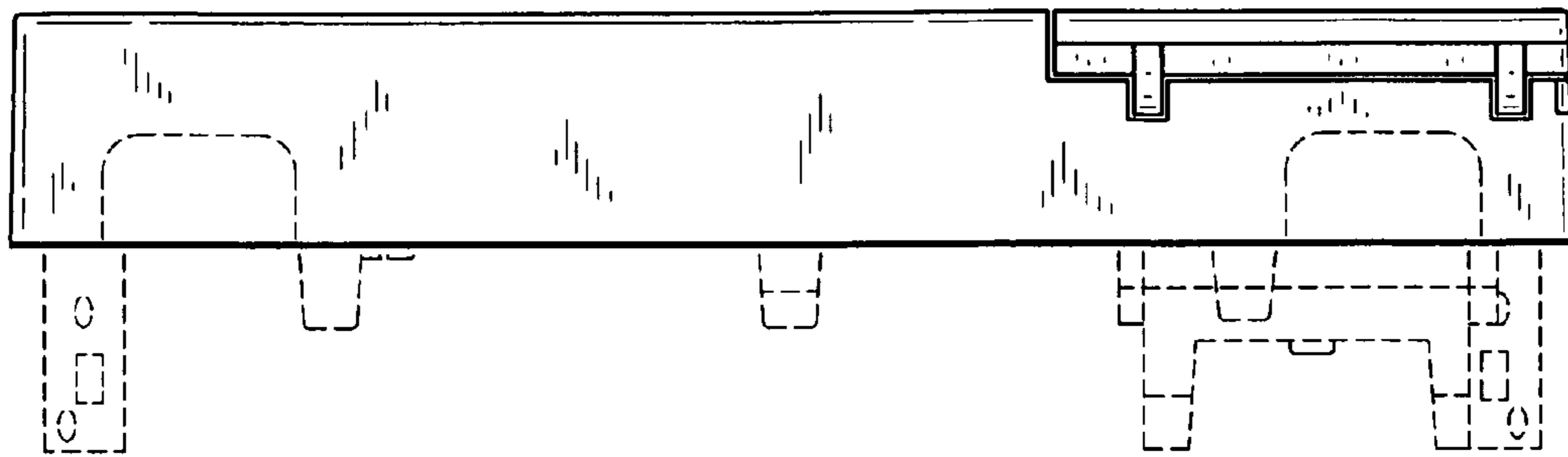


FIG. 5

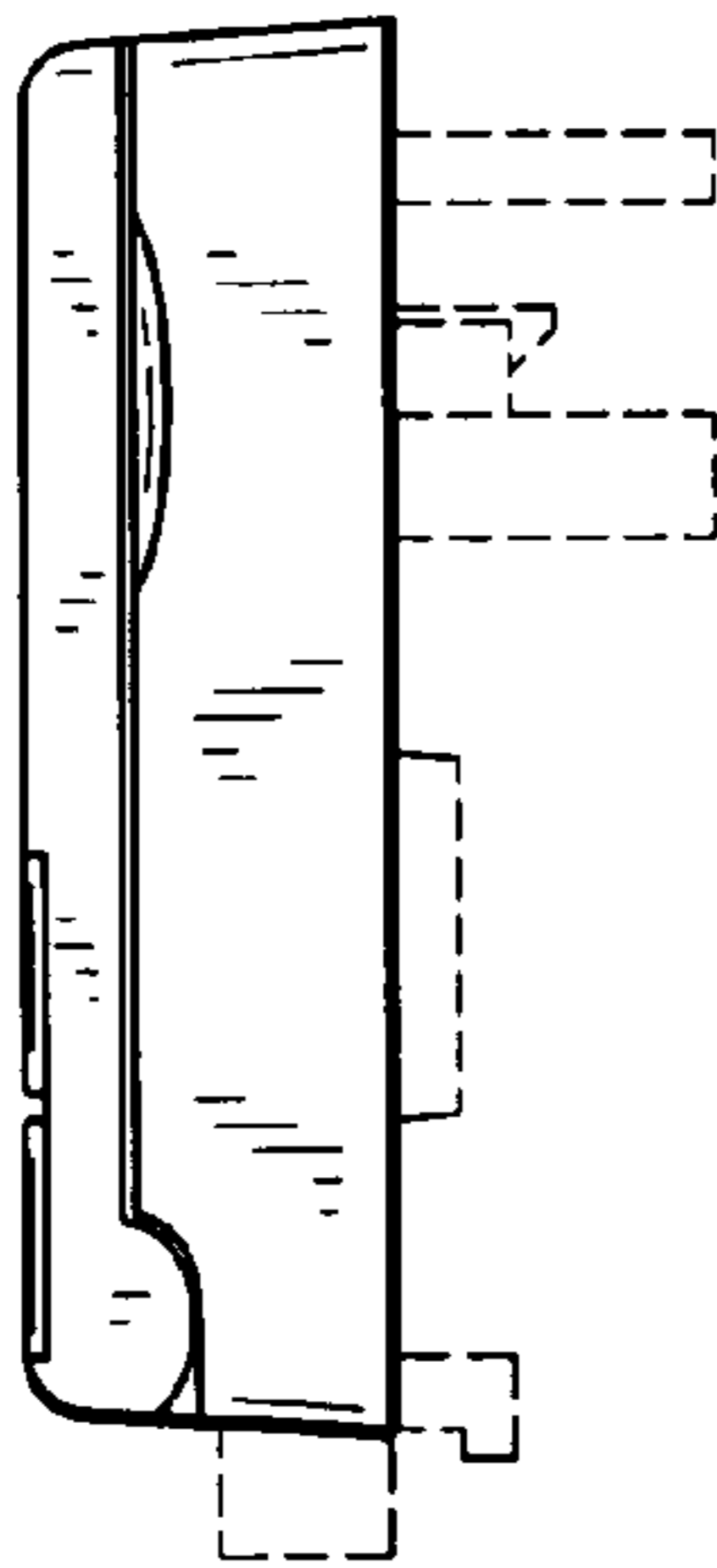


FIG. 6

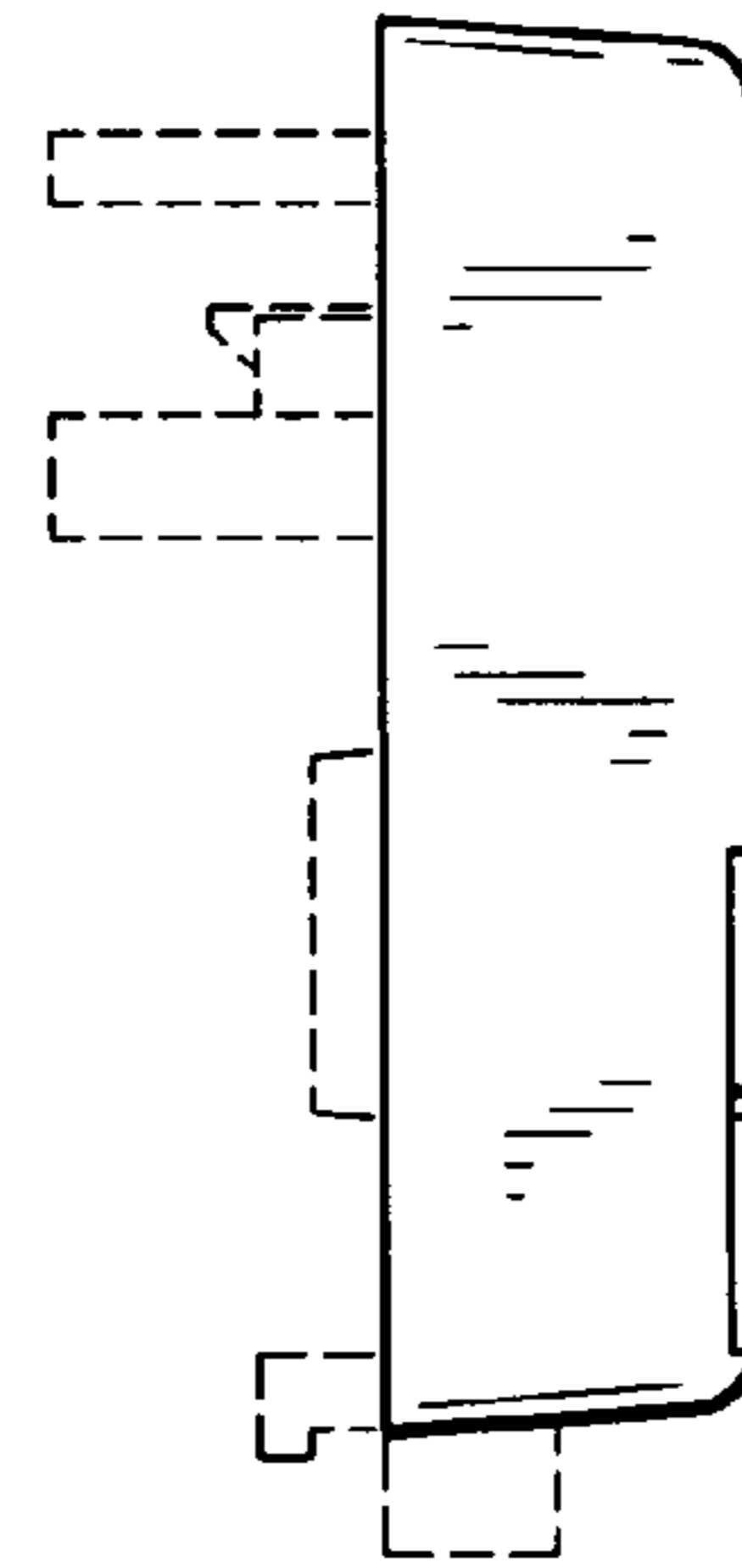


FIG. 7

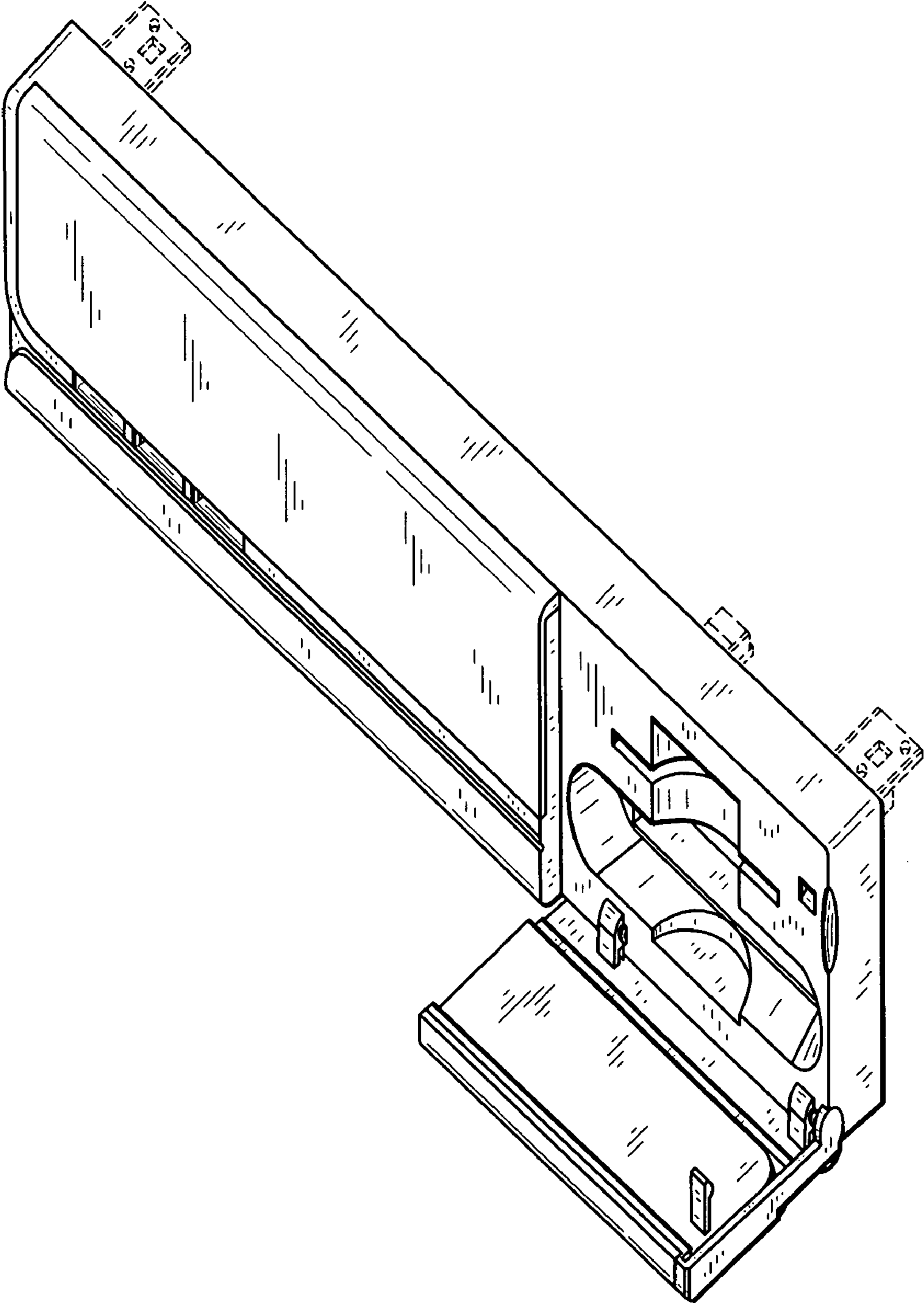


FIG. 8

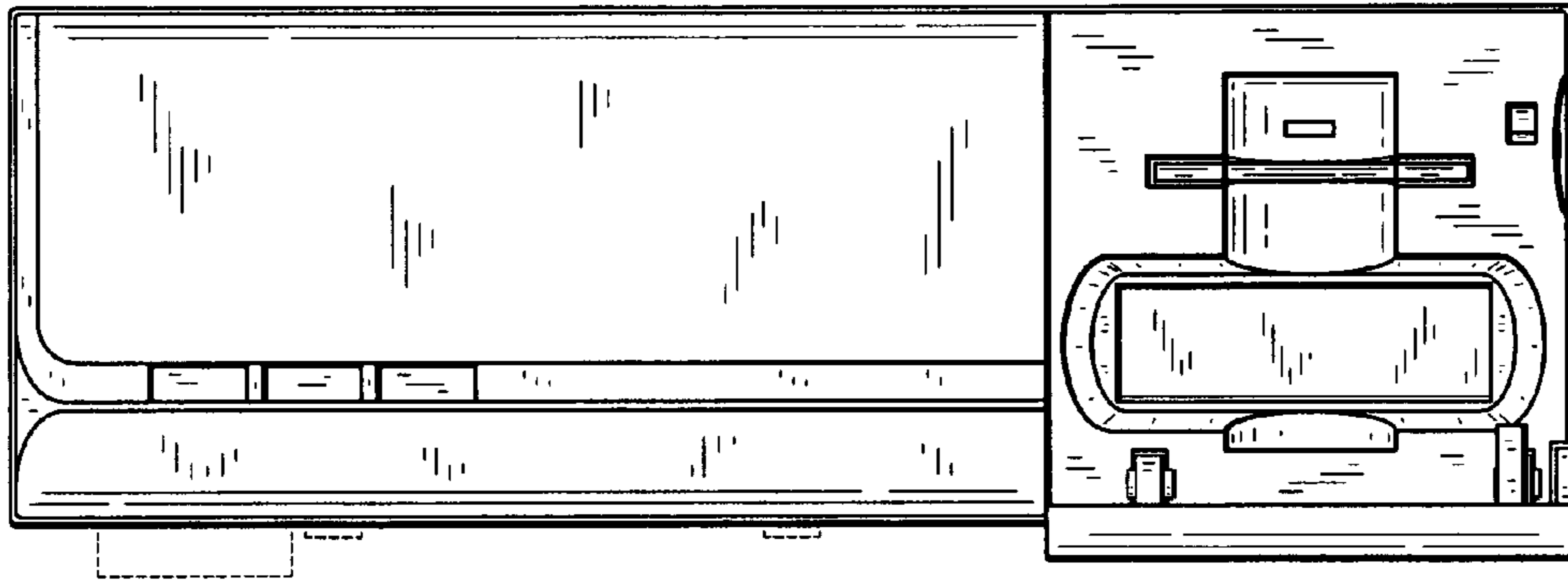


FIG. 9

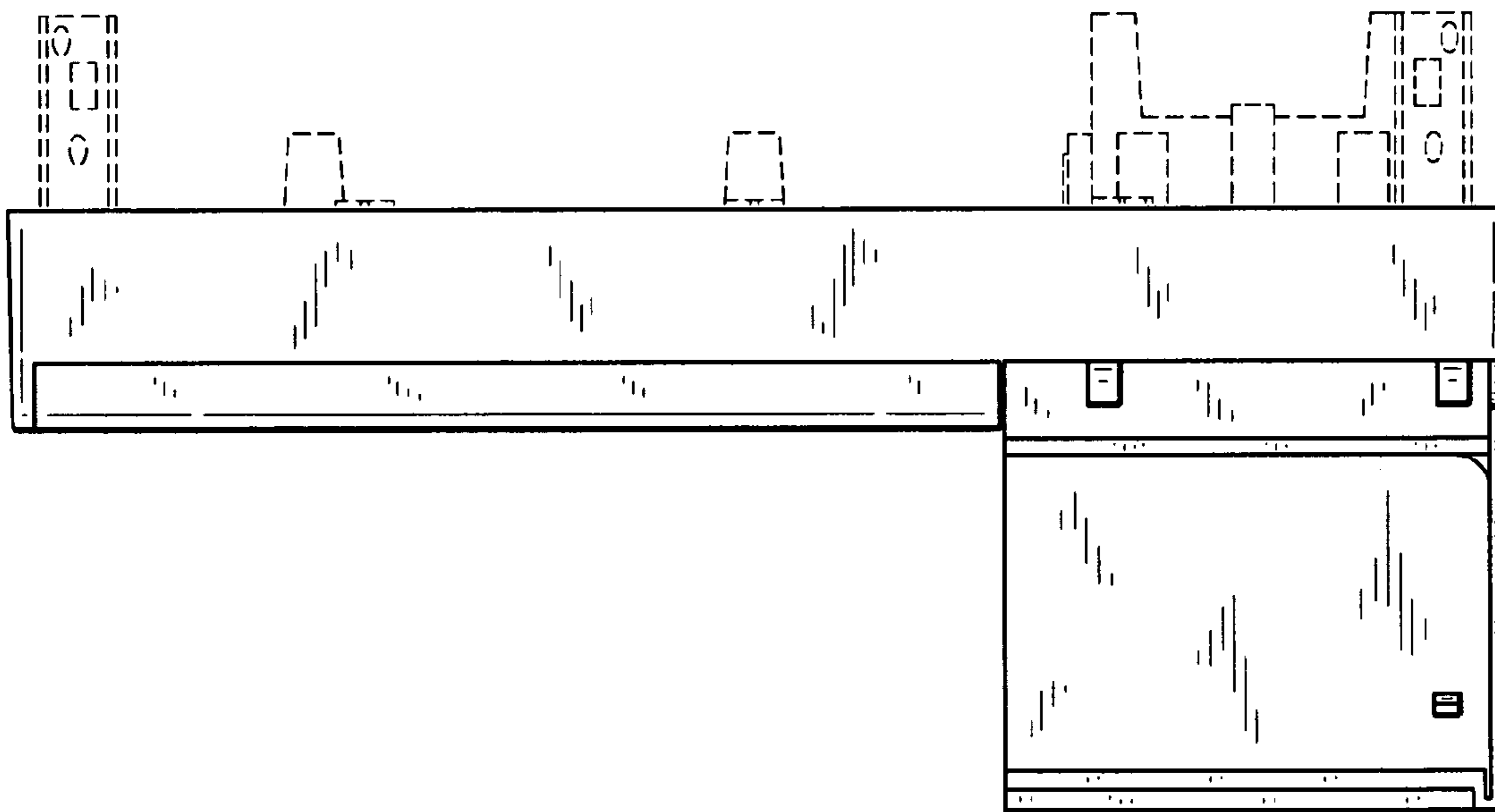


FIG. 10

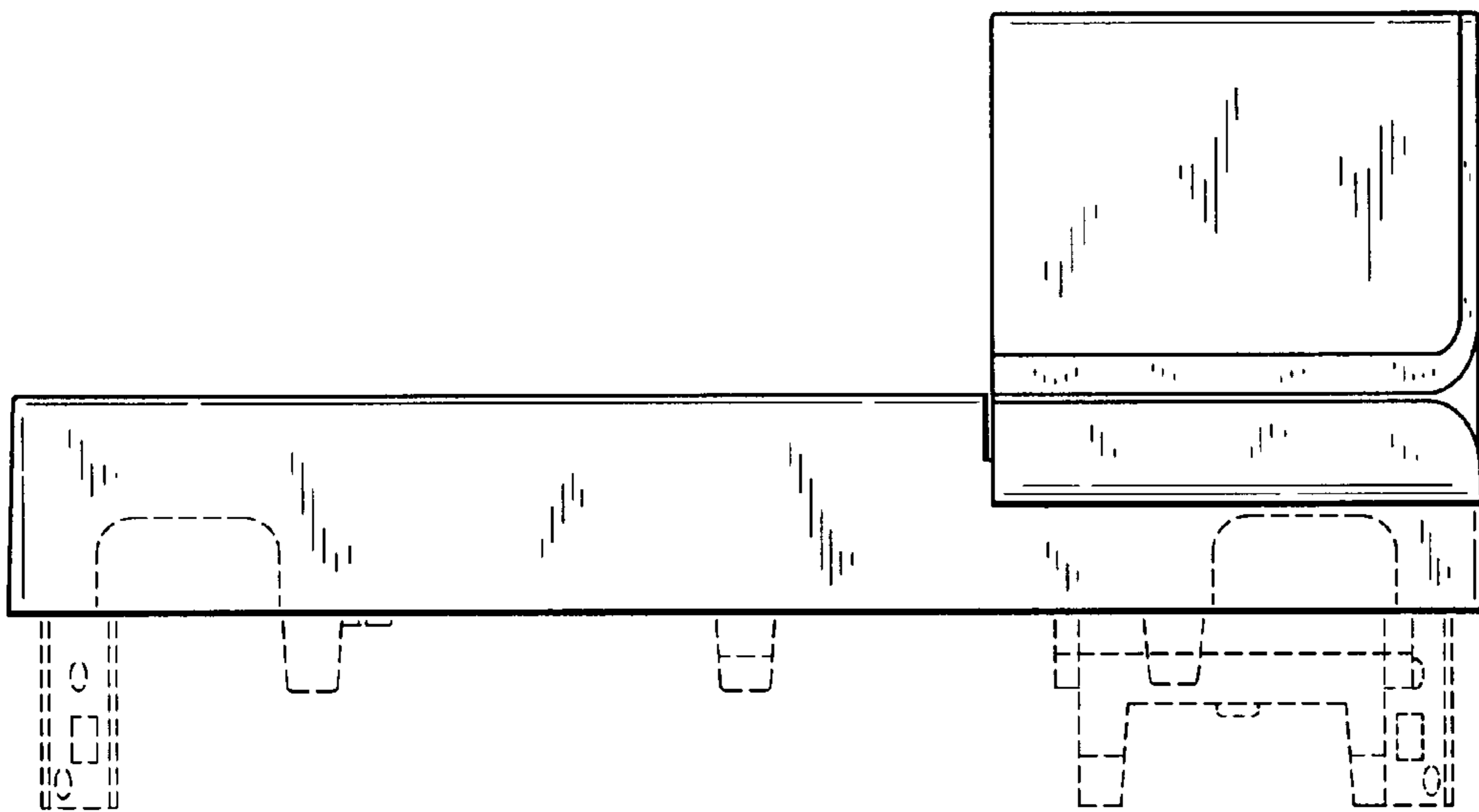


FIG. 11

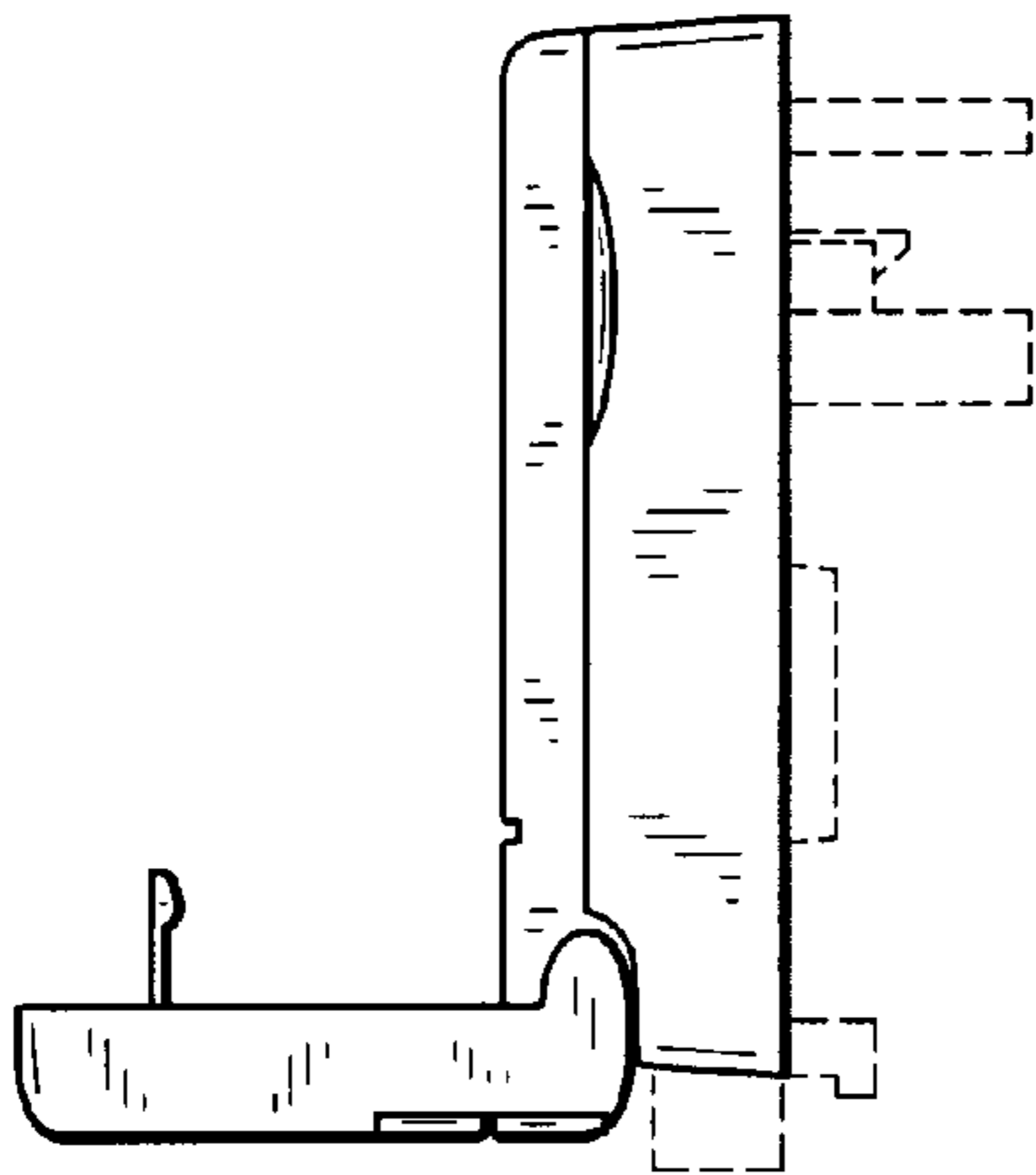


FIG. 12

