

US00D574375S

(12) **United States Design Patent**
Prest et al.

(10) **Patent No.:** **US D574,375 S**

(45) **Date of Patent:** **** Aug. 5, 2008**

(54) **STAND**

(75) Inventors: **Christopher David Prest**, San Francisco, CA (US); **Eugene Antony Whang**, San Francisco, CA (US)

(73) Assignee: **Apple Inc.**, Cupertino, CA (US)

(**) Term: **14 Years**

(21) Appl. No.: **29/284,283**

(22) Filed: **Sep. 5, 2007**

(51) **LOC (8) Cl.** **14-03**

(52) **U.S. Cl.** **D14/253; D14/217**

(58) **Field of Classification Search** D6/407, D6/408, 467-468; D3/35; D19/75-76, 81, D19/90; 206/387; 211/13; D8/395; D14/217, D14/253, 433-434; 248/174
See application file for complete search history.

(56) **References Cited**

U.S. PATENT DOCUMENTS

D156,659	S	*	12/1949	Reed	D8/395
2,843,953	A	*	7/1958	McCanless	40/591
D279,630	S	*	7/1985	Bart	D6/567
4,542,958	A	*	9/1985	Young	359/627
D316,484	S	*	4/1991	Kounis et al.	D3/221
D332,708	S	*	1/1993	Schmidt et al.	D6/407
5,209,452	A	*	5/1993	Goldberg	248/676
D336,182	S	*	6/1993	Machut	D6/467
6,484,365	B1	*	11/2002	Thompson	24/3.12
D510,019	S	*	9/2005	Davis	D8/395
D516,562	S	*	3/2006	Solomon et al.	D14/434
D532,005	S	*	11/2006	Leith	D14/253
D536,735	S	*	2/2007	Johnson	D19/81

* cited by examiner

Primary Examiner—Elizabeth A. Albert

Assistant Examiner—Kelley A Donnelly

(74) *Attorney, Agent, or Firm*—Sterne, Kessler, Goldstein & Fox P.L.L.C.

(57) **CLAIM**

The ornamental design for a stand, substantially as shown and described.

DESCRIPTION

FIG. 1 is a front perspective view of a stand showing our new design;

FIG. 2 is a front view thereof;

FIG. 3 is a rear view thereof;

FIG. 4 is a side view thereof;

FIG. 5 is another side view thereof;

FIG. 6 is a top view thereof;

FIG. 7 is a bottom view thereof;

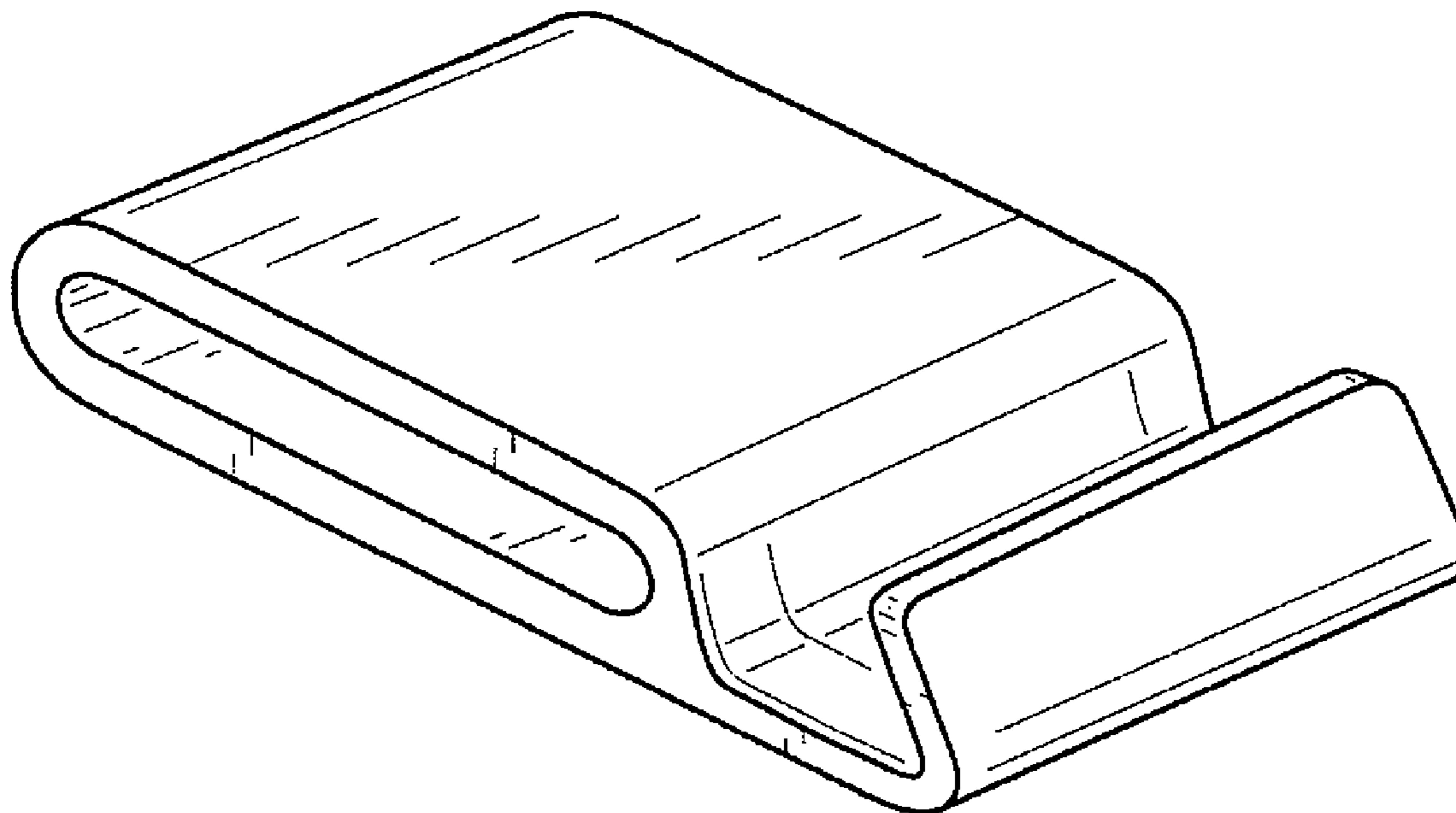
FIG. 8 is another front perspective view of the same showing the design in an environment in which it may be used;

FIG. 9 is another front perspective view of the same, showing the design in another environment in which it may be used; and,

FIG. 10 is an exploded view thereof.

The broken lines in FIGS. 8, 9, and 10 are for illustrative environmental purposes only and form no part of the claimed design.

1 Claim, 7 Drawing Sheets



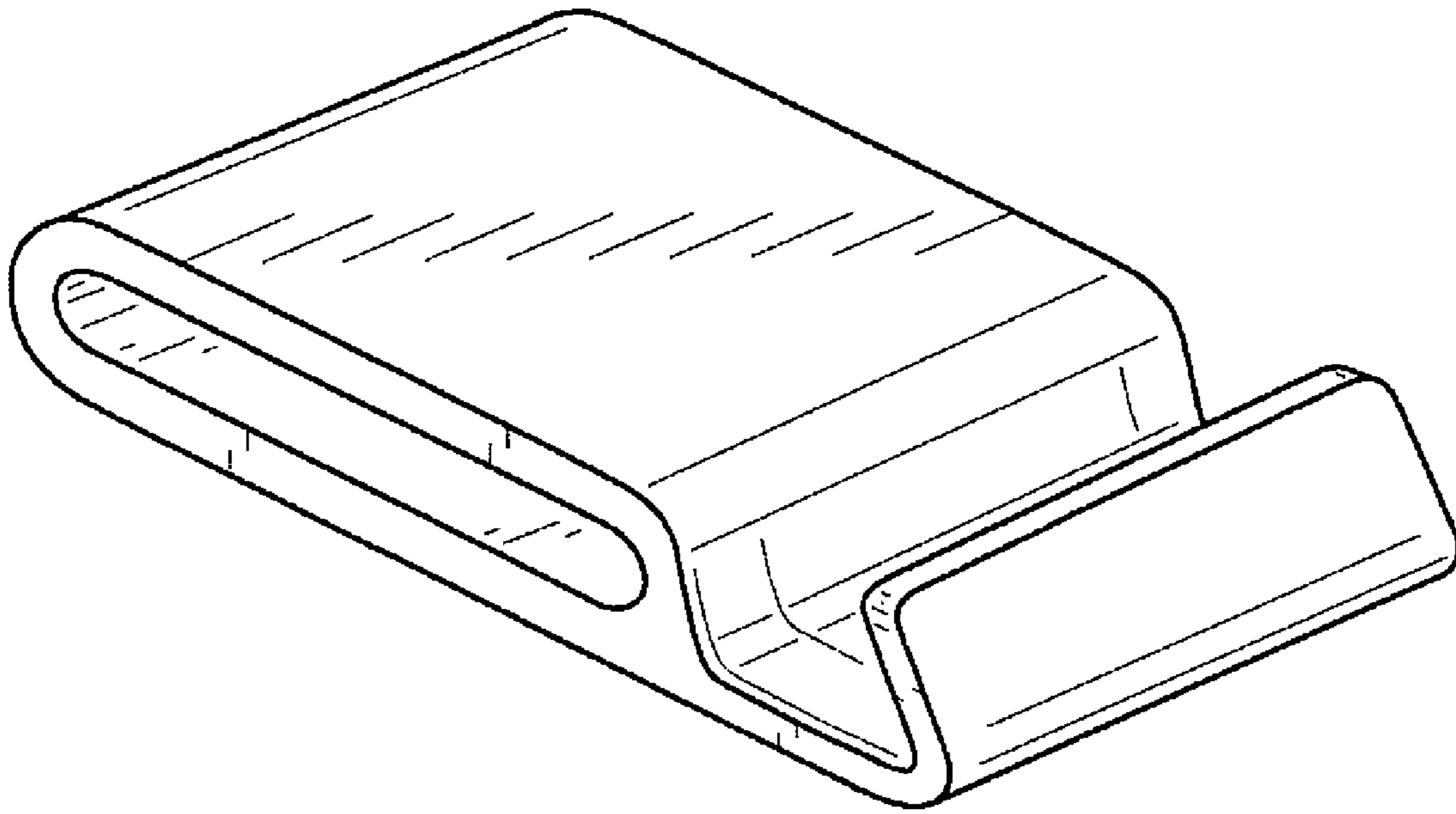


FIG. 1

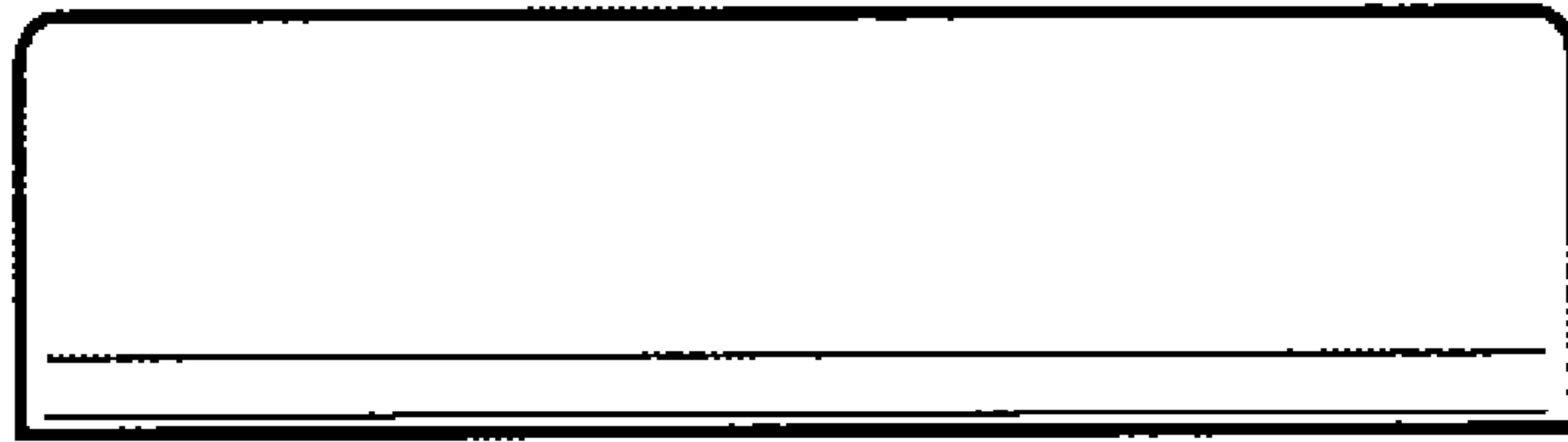


FIG. 2

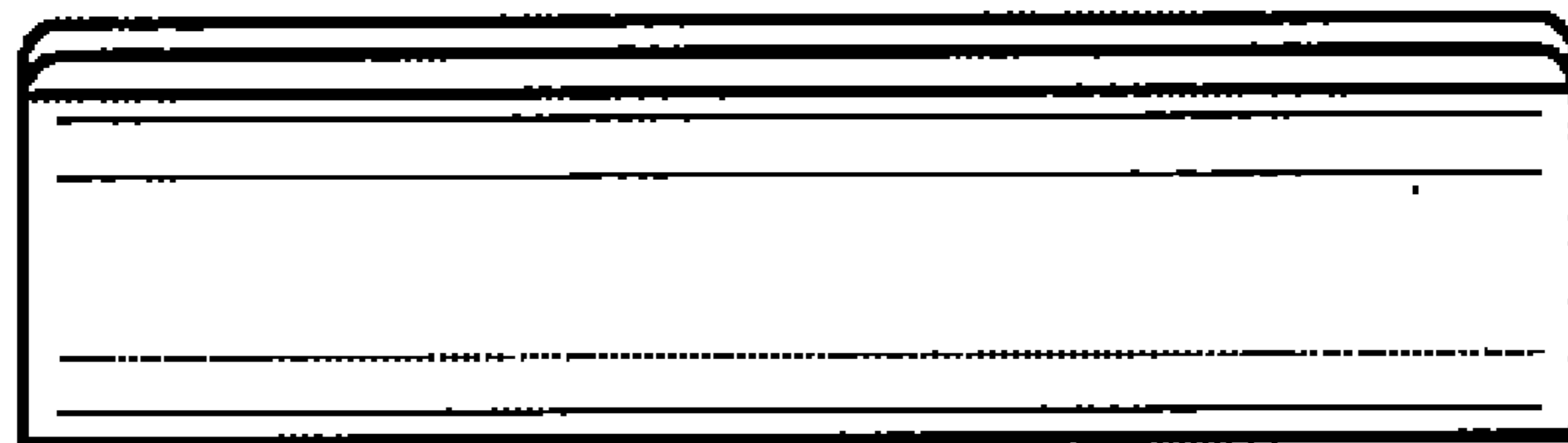


FIG. 3

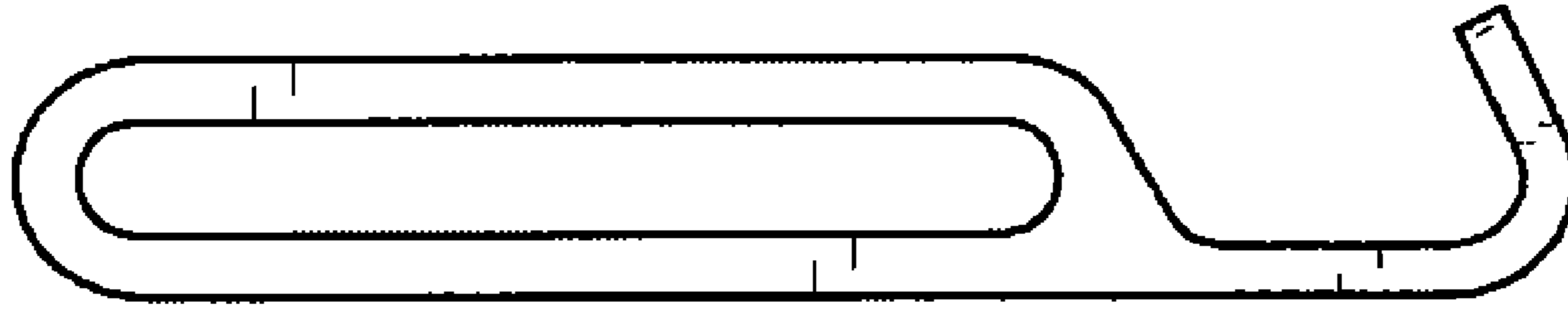


FIG. 4

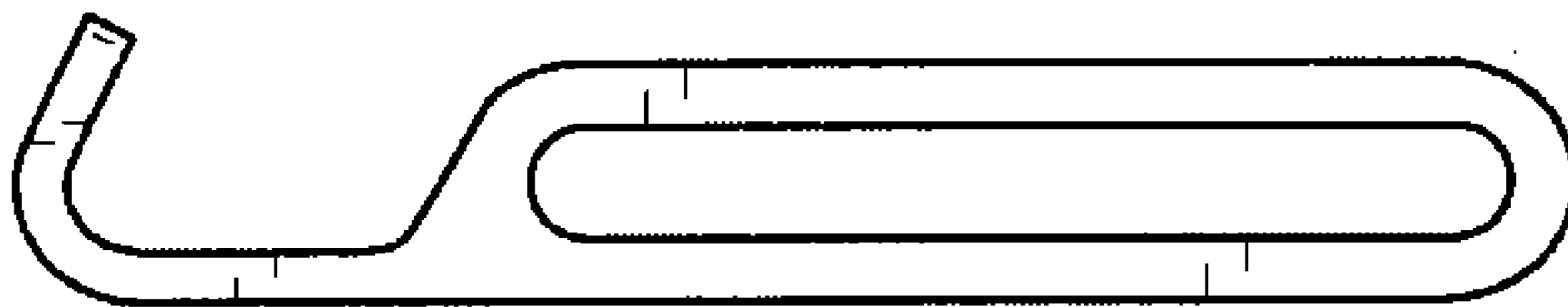


FIG. 5

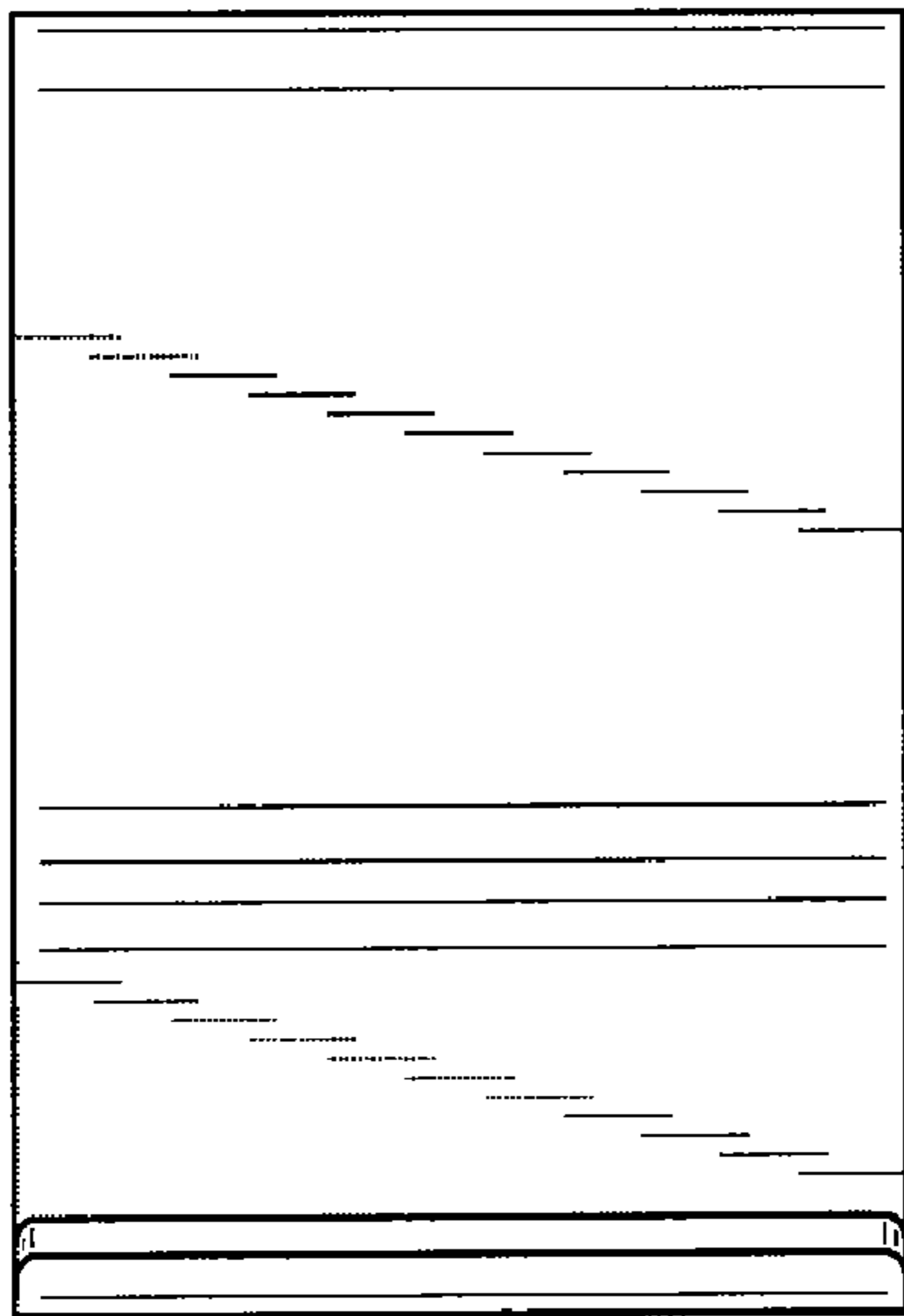


FIG. 6

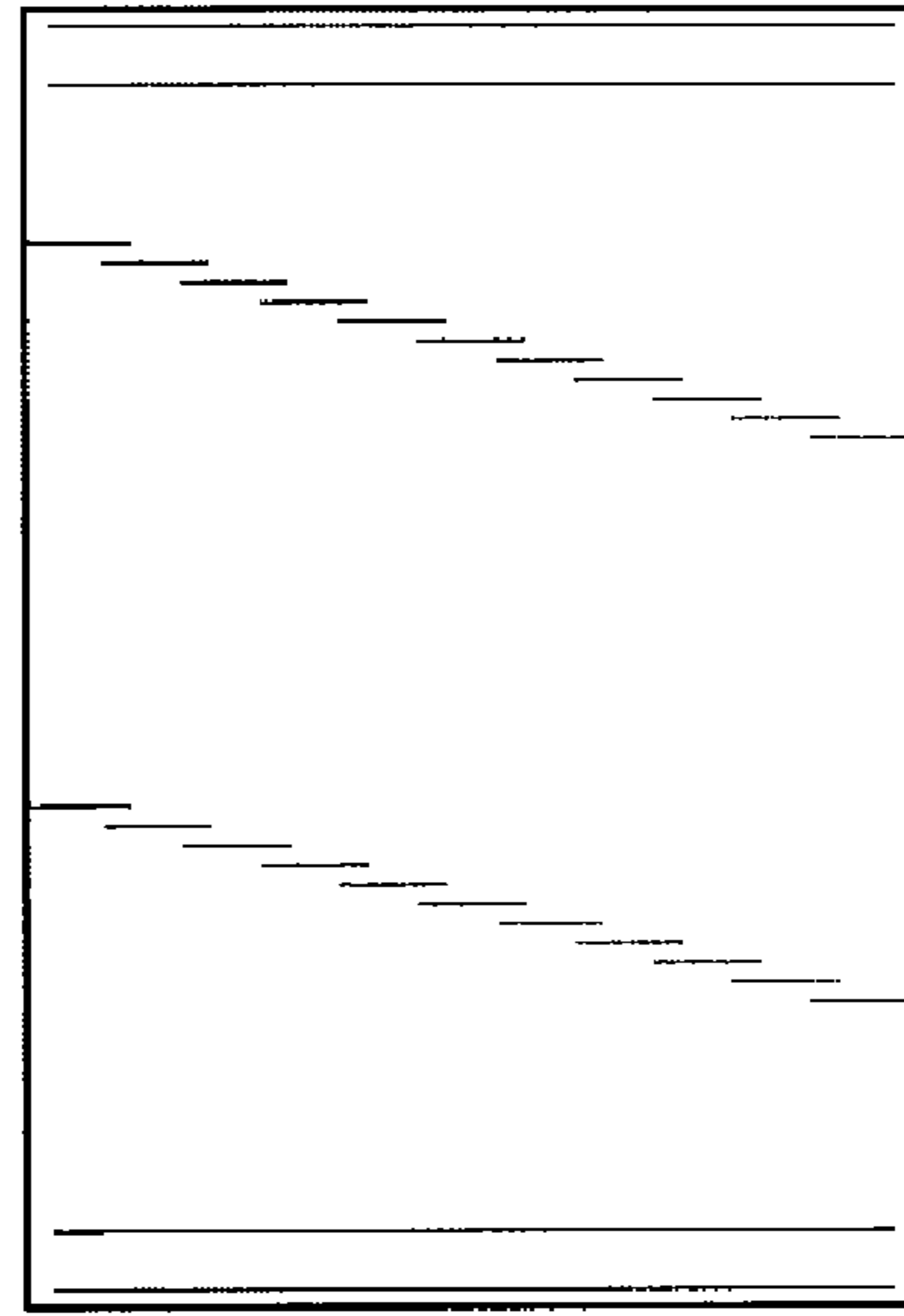


FIG. 7

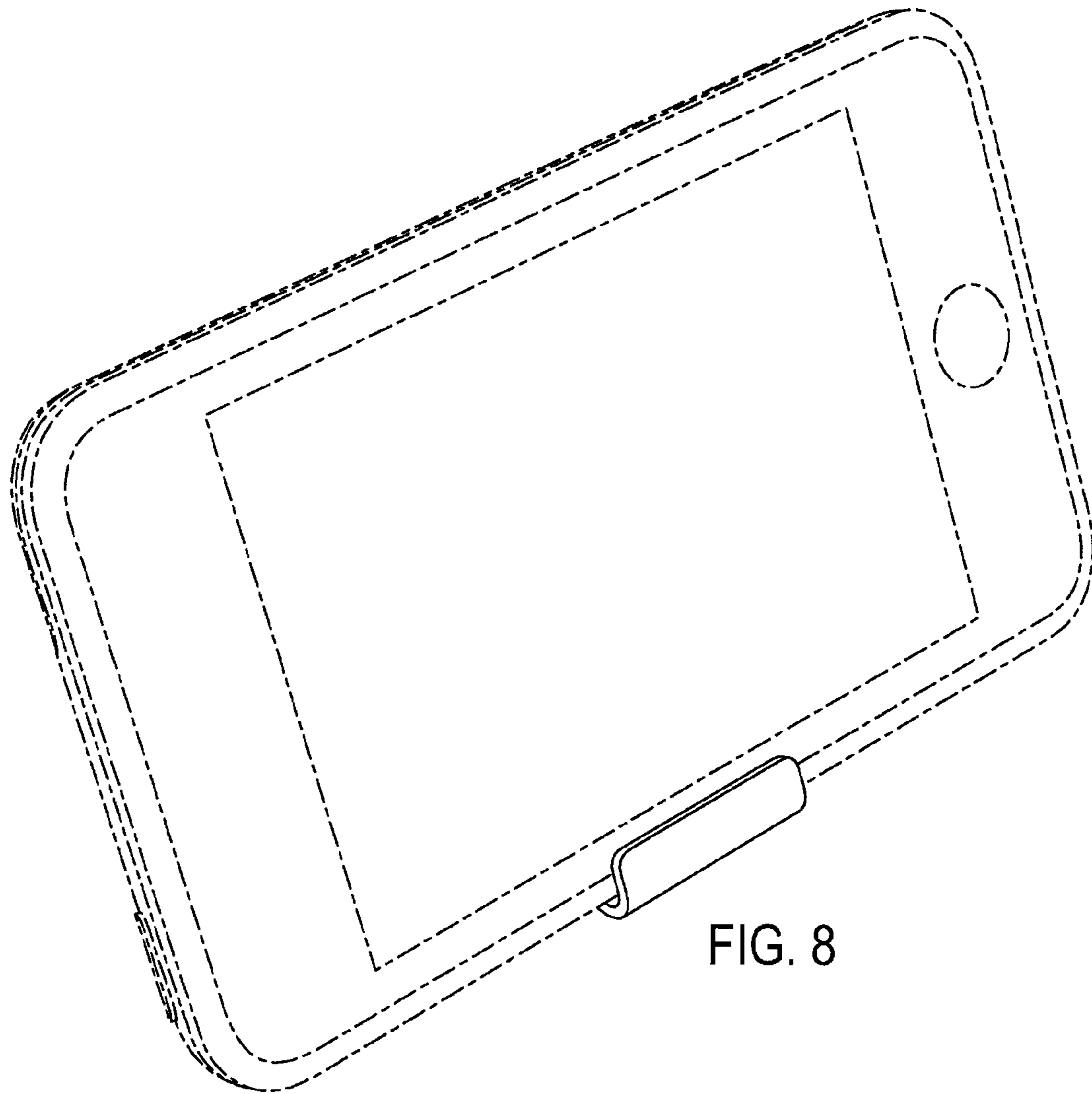


FIG. 8

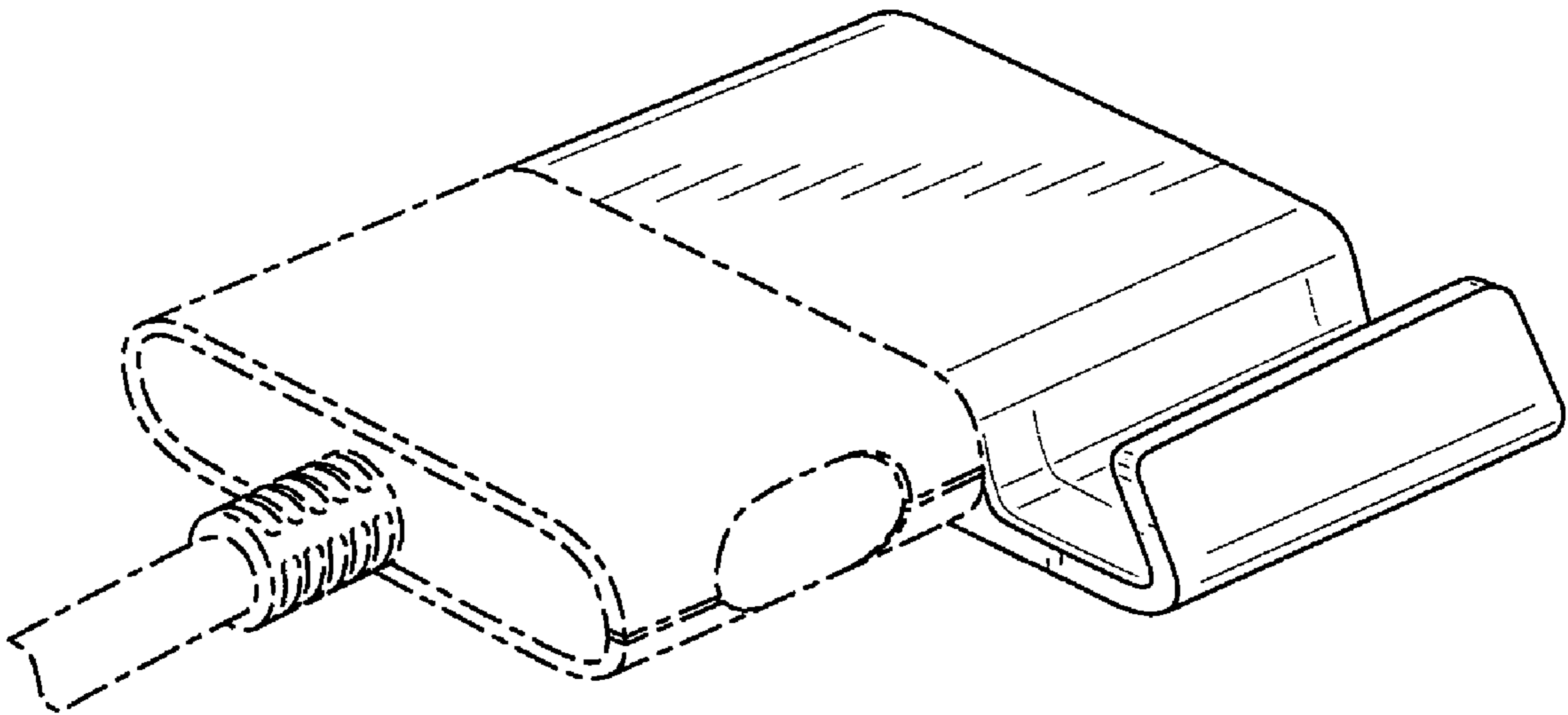


FIG. 9

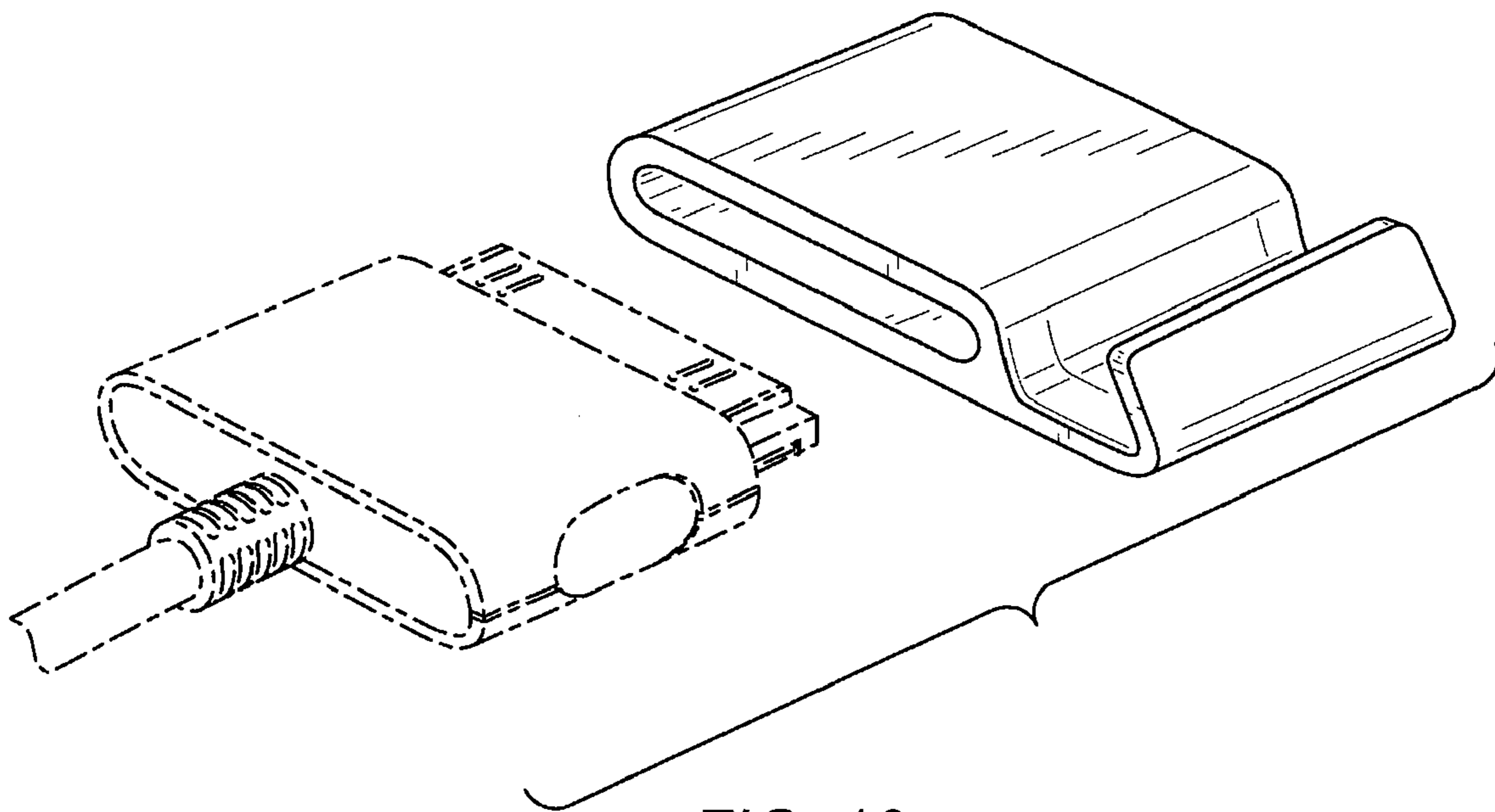


FIG. 10