



US00D574368S

(12) **United States Design Patent**
Chapman

(10) **Patent No.:** **US D574,368 S**

(45) **Date of Patent:** **** Aug. 5, 2008**

(54) **LOUDSPEAKER ASSEMBLY**

(75) Inventor: **Angus John Chapman**, Northgate (AU)

(73) Assignee: **Innotech Pty Ltd.** (AU)

(**) Term: **14 Years**

(21) Appl. No.: **29/284,963**

(22) Filed: **Sep. 19, 2007**

(51) **LOC (8) Cl.** **14-01**

(52) **U.S. Cl.** **D14/225; D14/223**

(58) **Field of Classification Search** D14/138,
D14/188, 192, 228, 248, 225, 226; 181/128,
181/129, 130, 135; 379/430, 431; 381/181,
381/191, 379, 378, 377, 376, 374, 358, 380,
381/381, 369, 174, 170; 455/90.2, 575.2;
D24/173, 174

See application file for complete search history.

(56) **References Cited**

U.S. PATENT DOCUMENTS

- 4,249,043 A * 2/1981 Morgan et al. 381/170
- D332,098 S * 12/1992 Riley et al. D14/225
- D351,391 S * 10/1994 Martin D14/225

- D352,039 S * 11/1994 Yurkonis et al. D14/225
- D352,946 S * 11/1994 Nensel et al. D14/225
- D355,915 S * 2/1995 Chan D14/225
- D356,571 S * 3/1995 Garmon et al. D14/225
- 6,668,065 B2 * 12/2003 Lee et al. 381/380
- 7,072,479 B2 * 7/2006 Okita 381/174
- 7,136,500 B2 * 11/2006 Collins 381/369
- D538,793 S * 3/2007 Ma et al. D14/225
- D539,272 S * 3/2007 Kaner et al. D14/225
- 7,356,362 B2 * 4/2008 Chang et al. 455/575.2

* cited by examiner

Primary Examiner—Paula A Greene

(74) *Attorney, Agent, or Firm*—Galbreath Law Offices, P.C.;
John A. Galbreath

(57) **CLAIM**

The ornamental design for a loudspeaker assembly, as shown and described.

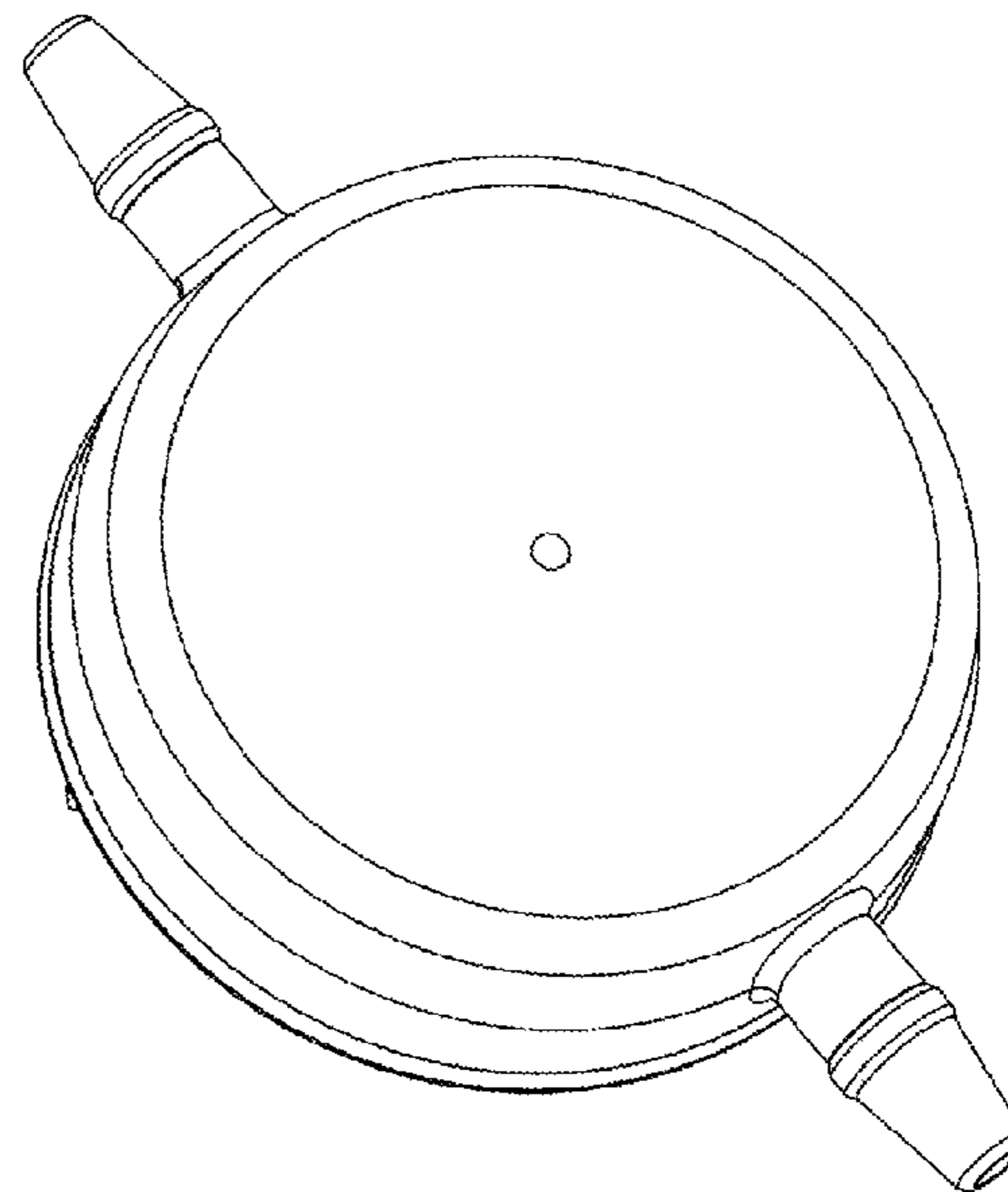
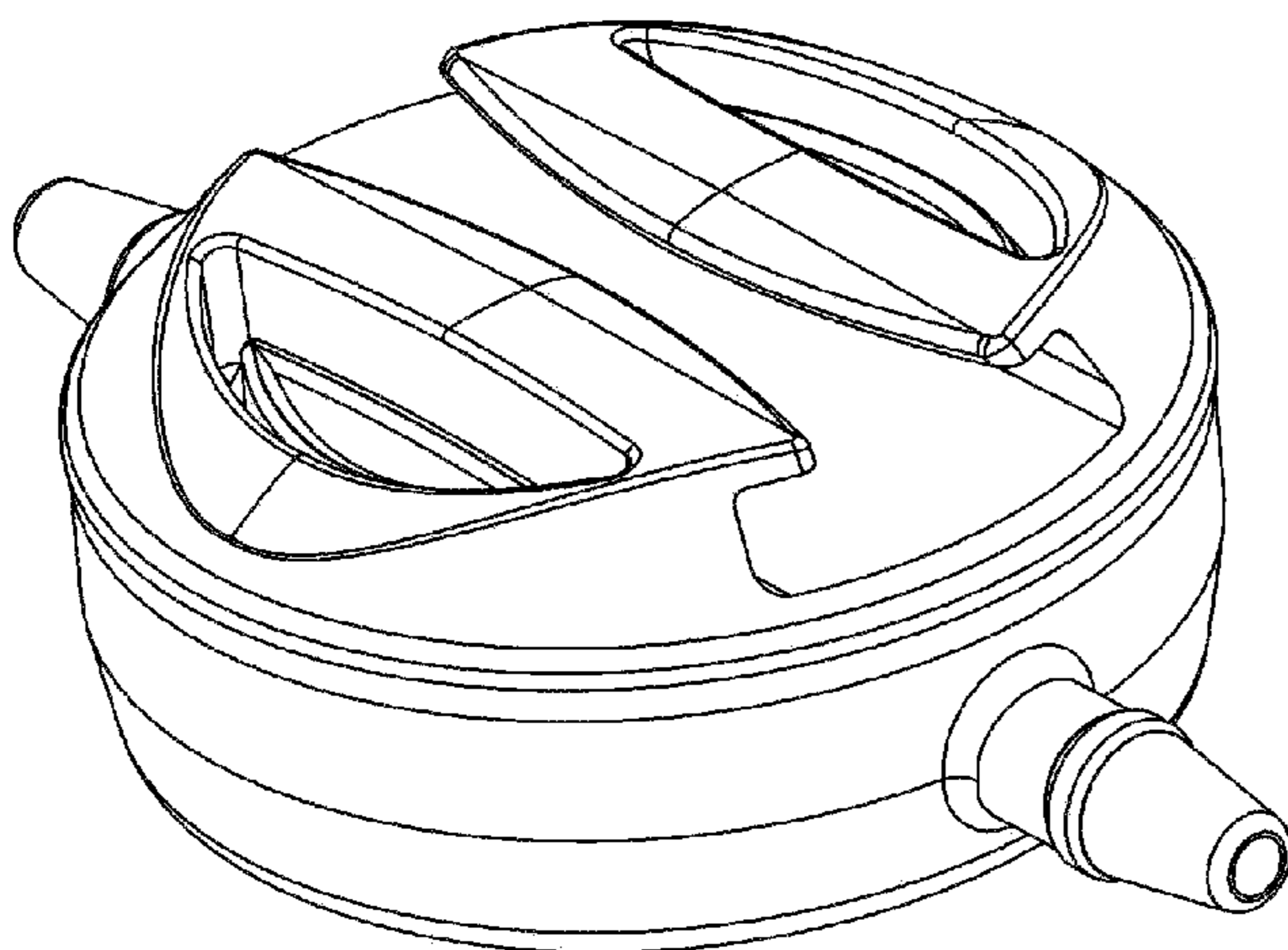
DESCRIPTION

FIG. 1 is a perspective view of a loudspeaker assembly showing my new design, the opposite side is a mirror image;

FIG. 2 is a top plan view thereof; and,

FIG. 3 is a bottom perspective view thereof.

1 Claim, 3 Drawing Sheets



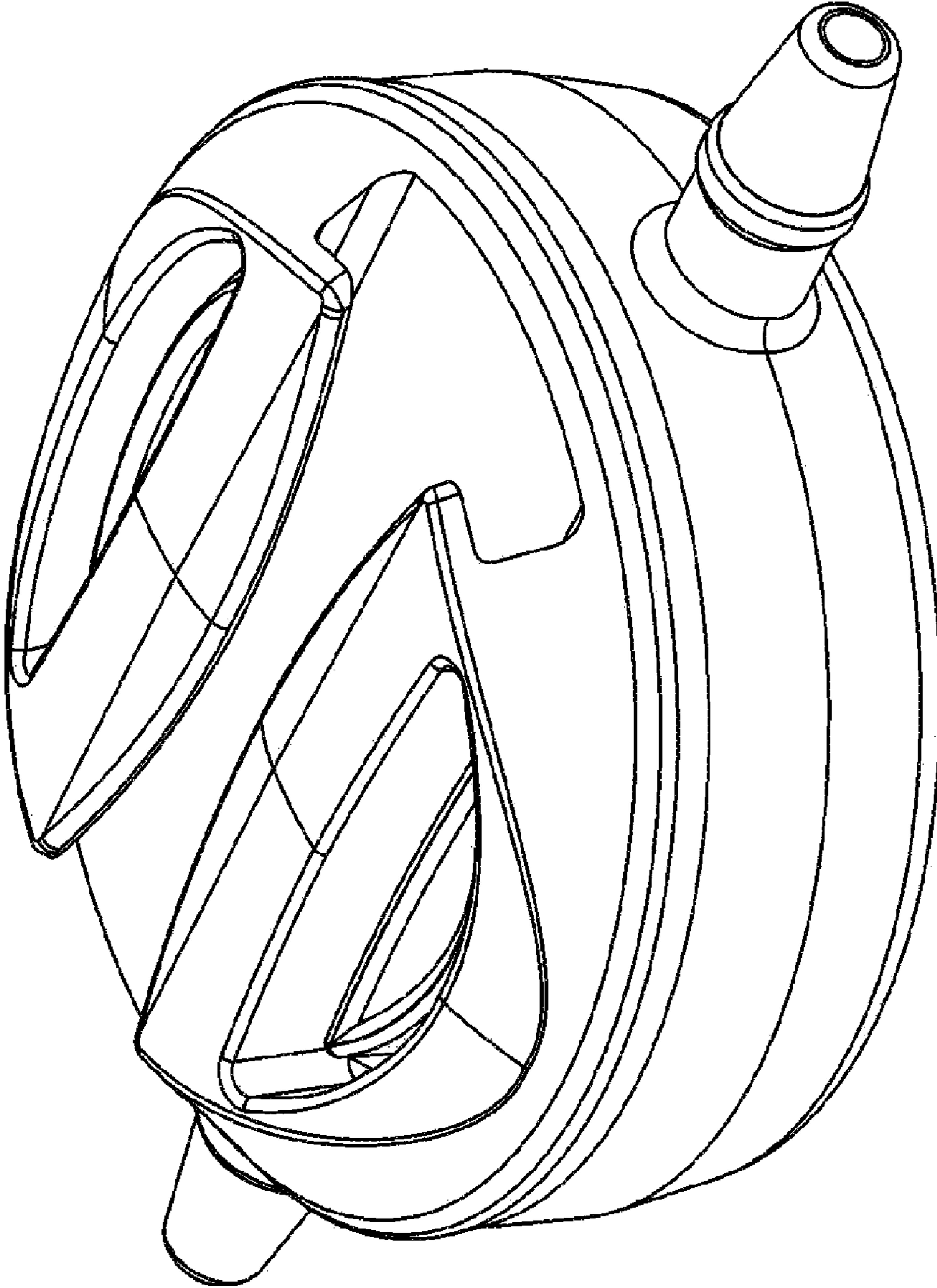


FIGURE 1

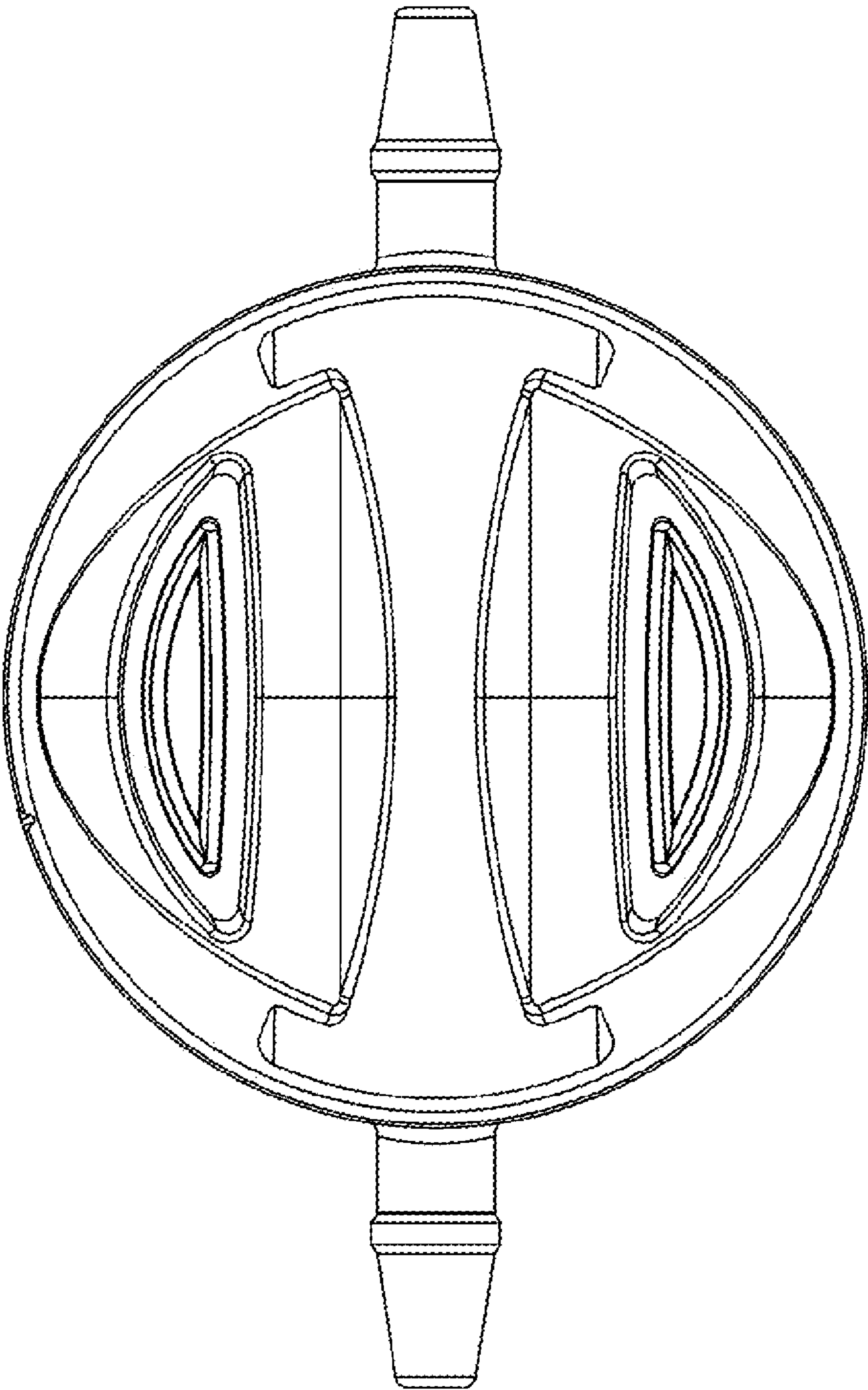


FIGURE 2

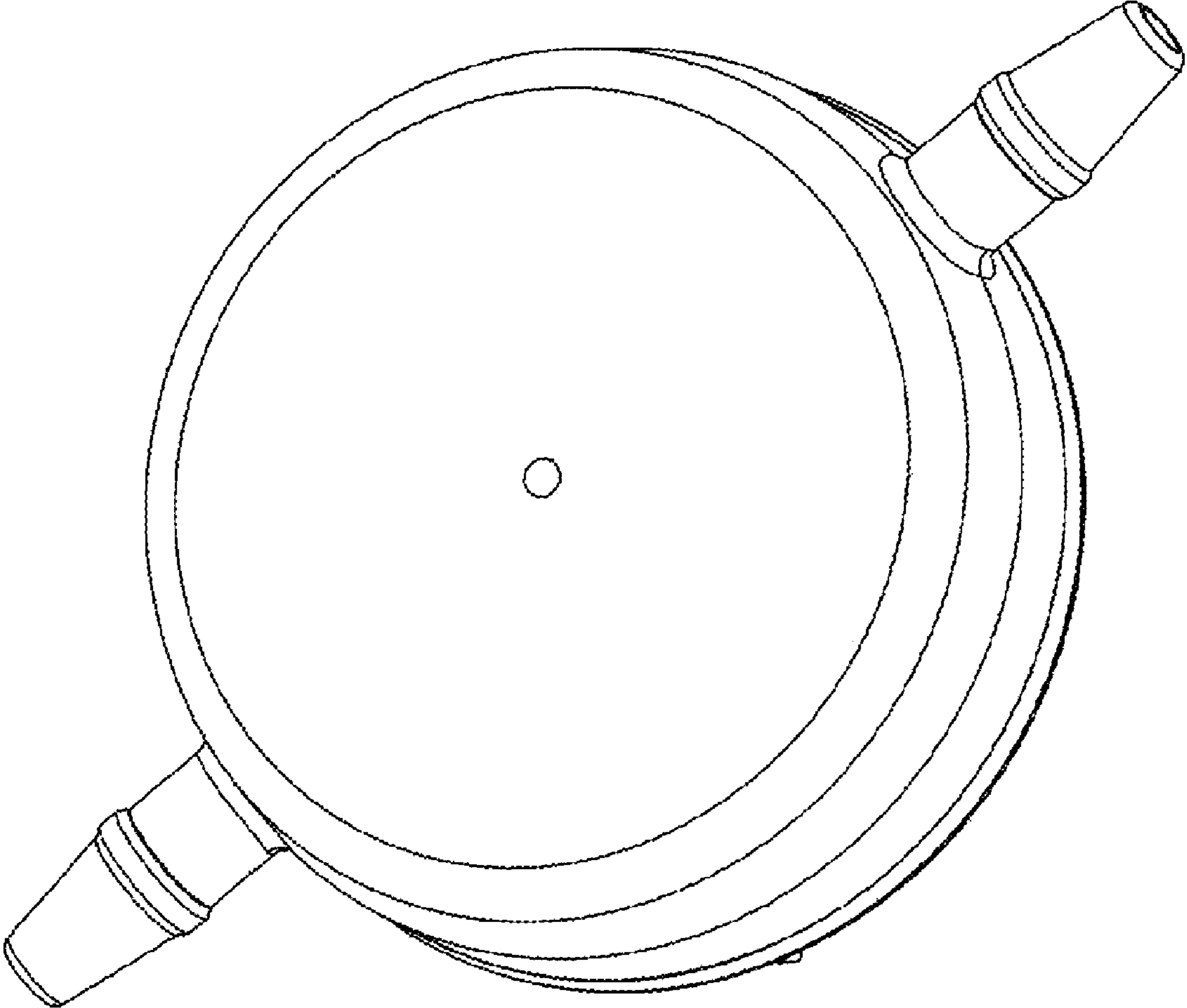


FIGURE 3