



US00D574366S

(12) **United States Design Patent**
Säde et al.

(10) **Patent No.:** **US D574,366 S**
(45) **Date of Patent:** **** Aug. 5, 2008**

(54) **HEADSET**

(75) Inventors: **Heli Säde**, Salo (FI); **Sami Lehtovaara**,
Masku (FI)

(73) Assignee: **Nokia Corporation**, Espoo (FI)

(**) Term: **14 Years**

(21) Appl. No.: **29/249,832**

(22) Filed: **Oct. 23, 2006**

(30) **Foreign Application Priority Data**

Apr. 24, 2006 (FI) M20060095

(51) **LOC (8) Cl.** **14-01**

(52) **U.S. Cl.** **D14/223**

(58) **Field of Classification Search** D14/205,
D14/206, 223; 181/128–130; 379/430–434;
381/370, 375–379; D24/173, 174
See application file for complete search history.

(56) **References Cited**

U.S. PATENT DOCUMENTS

D463,791 S * 10/2002 Nagai et al. D14/223

D509,210 S * 9/2005 Skulley et al. D14/205

D517,054 S * 3/2006 Yang D14/223

D520,497 S * 5/2006 Yang D14/223

D526,313 S * 8/2006 Murray D14/223

D529,021 S * 9/2006 Jensen et al. D14/223

D536,694 S * 2/2007 Eroma et al. D14/223

D538,792 S * 3/2007 Kim et al. D14/223

* cited by examiner

Primary Examiner—Paula A. Greene

(74) *Attorney, Agent, or Firm*—Banner & Witcoff, Ltd.

(57) **CLAIM**

The ornamental design for a headset, as shown and described.

DESCRIPTION

FIG. 1 is a front view of a headset showing our new design;

FIG. 2 is a rear view thereof;

FIG. 3 is a perspective front view thereof;

FIG. 4 is a perspective rear view thereof;

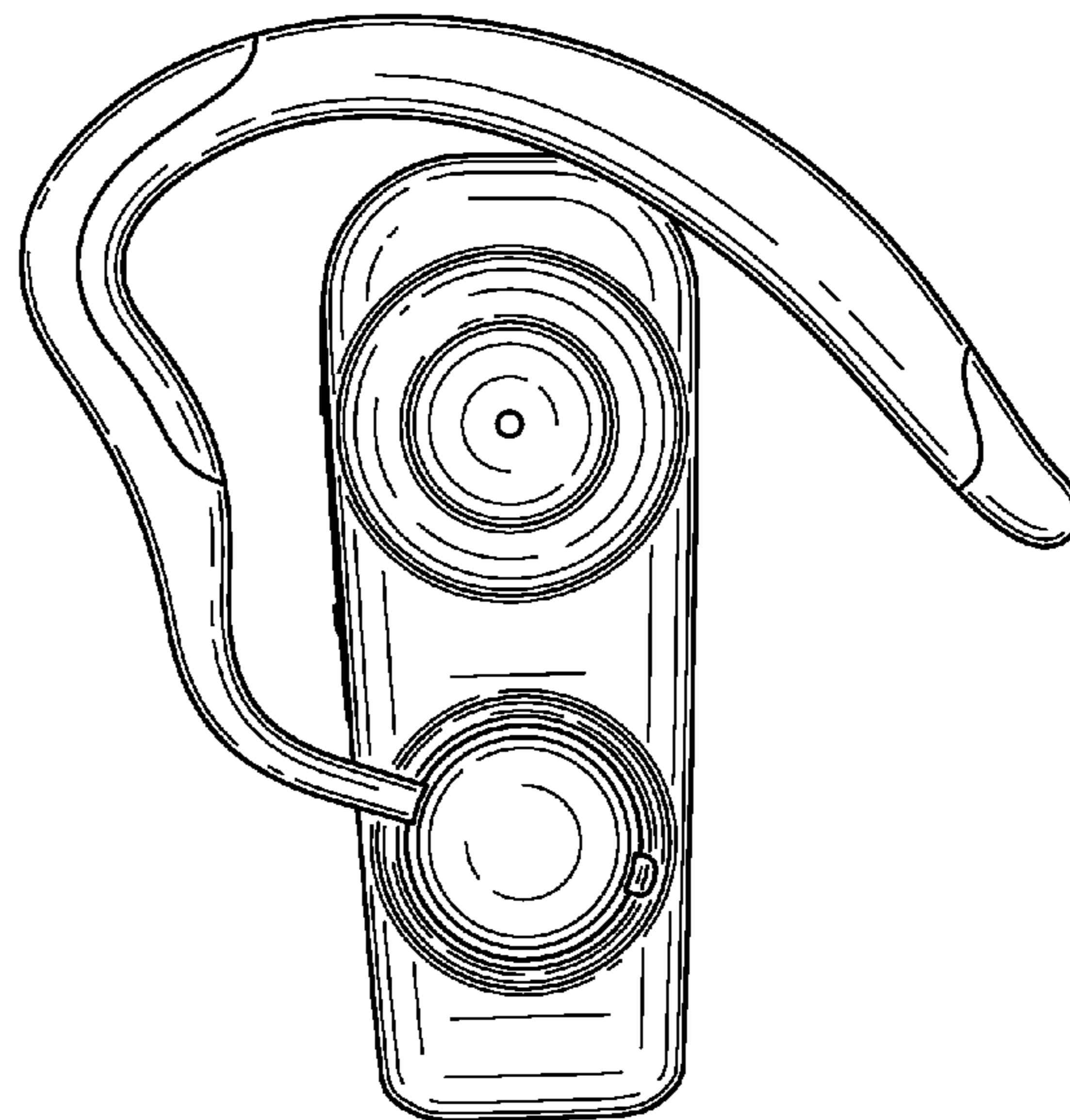
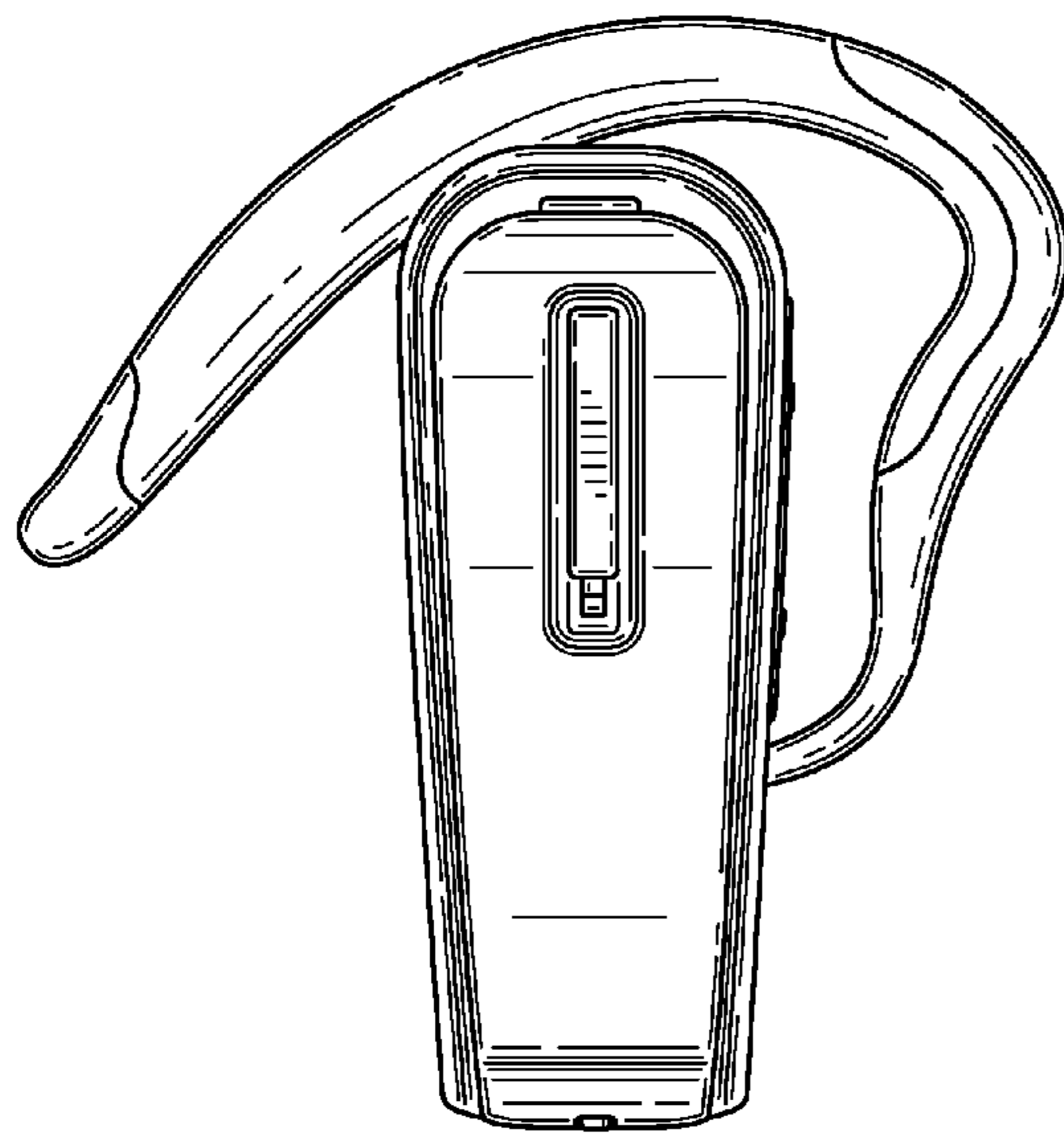
FIG. 5 is a bottom plan view thereof;

FIG. 6 is a top plan view thereof;

FIG. 7 is a left side view thereof; and,

FIG. 8 is a right side view thereof.

1 Claim, 4 Drawing Sheets



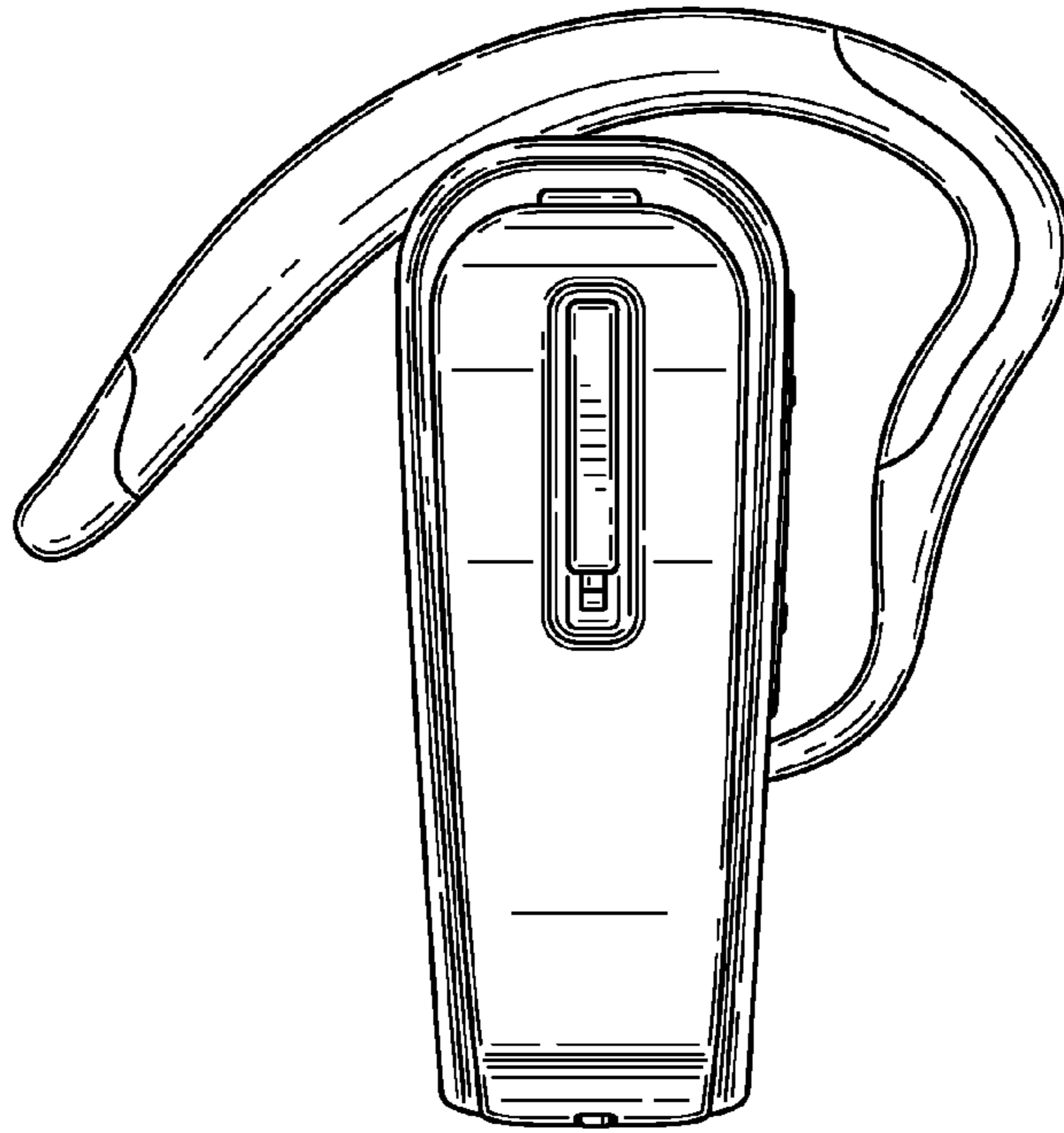


FIG. 1

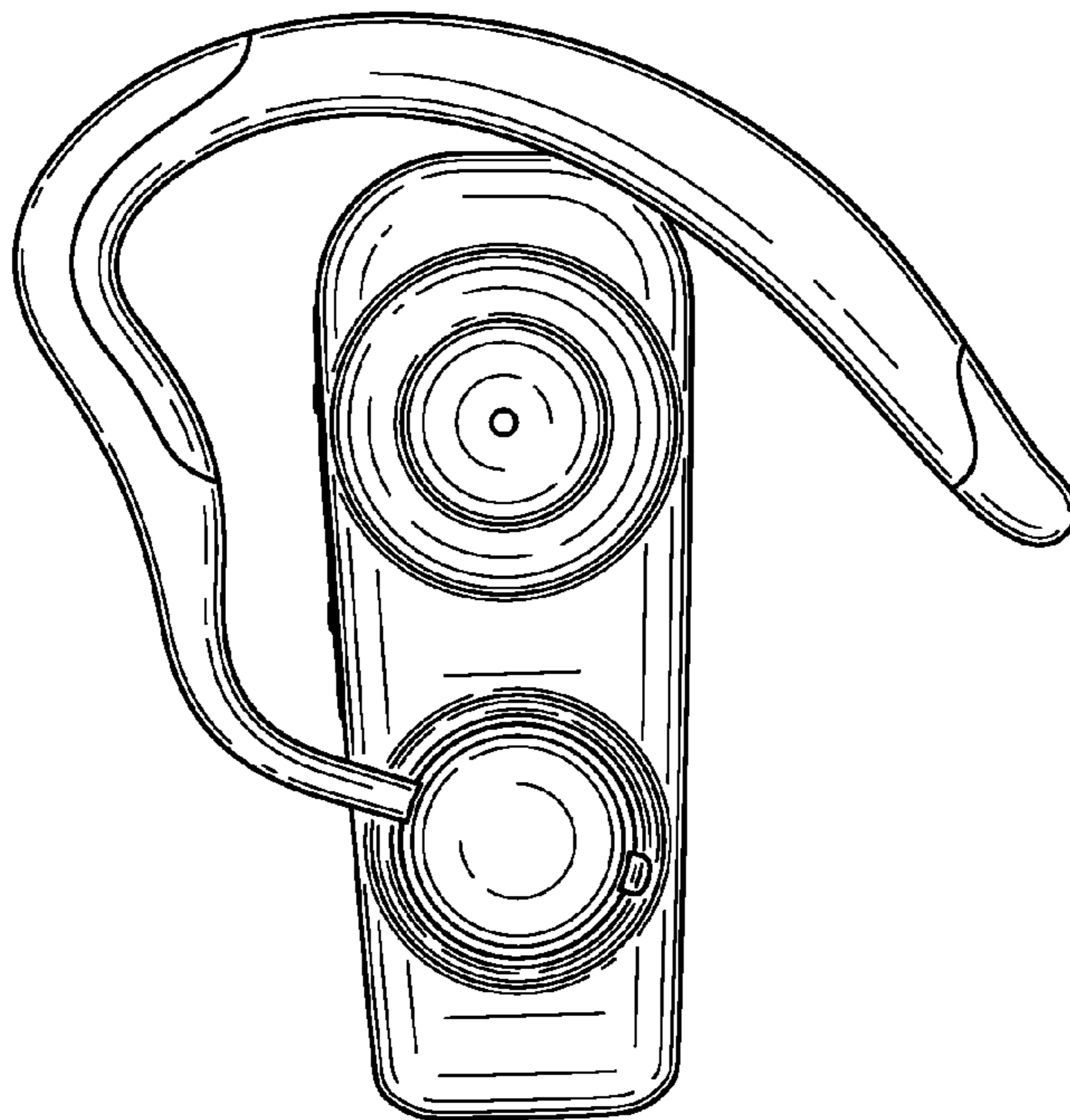


FIG. 2

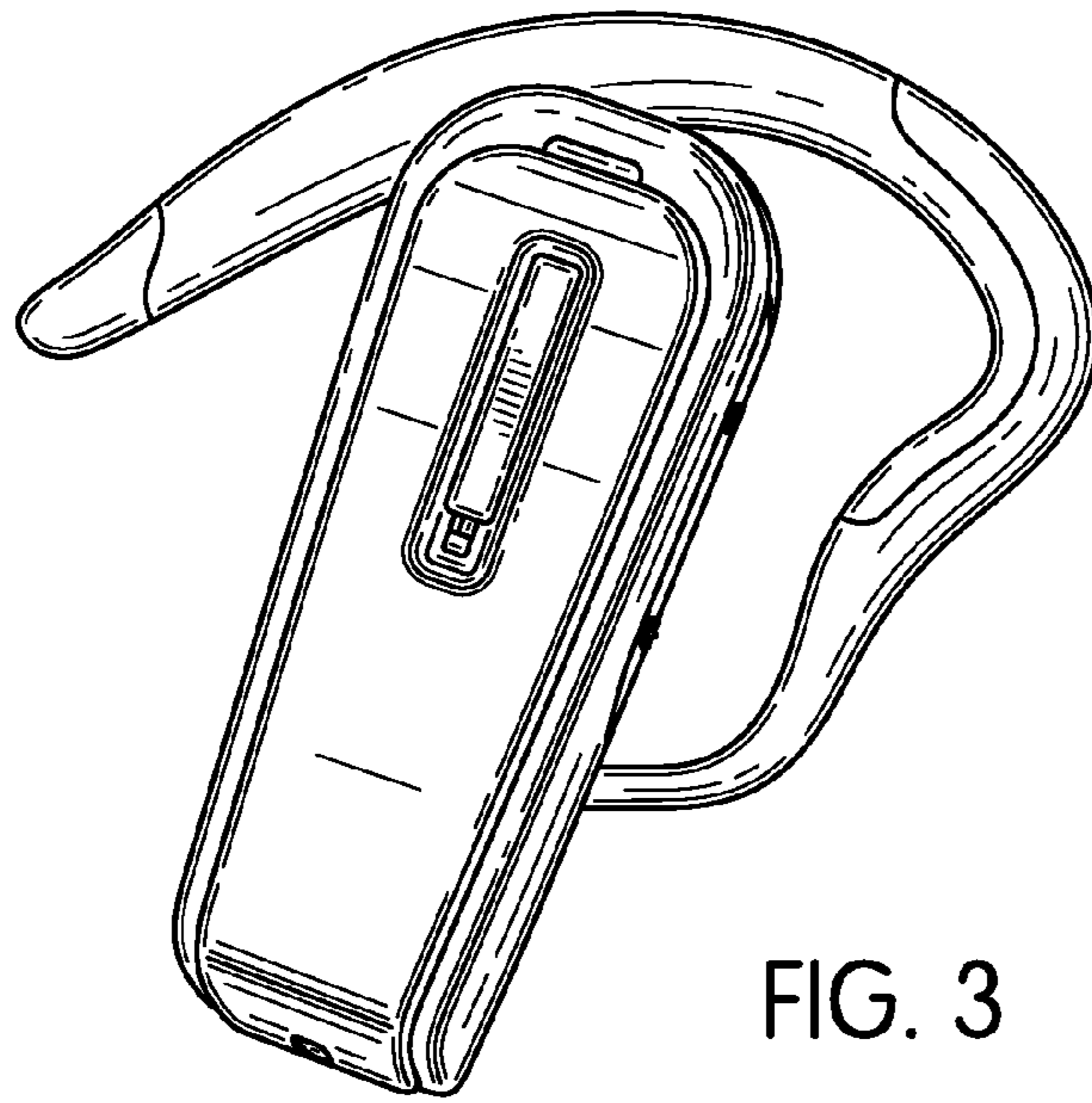


FIG. 3

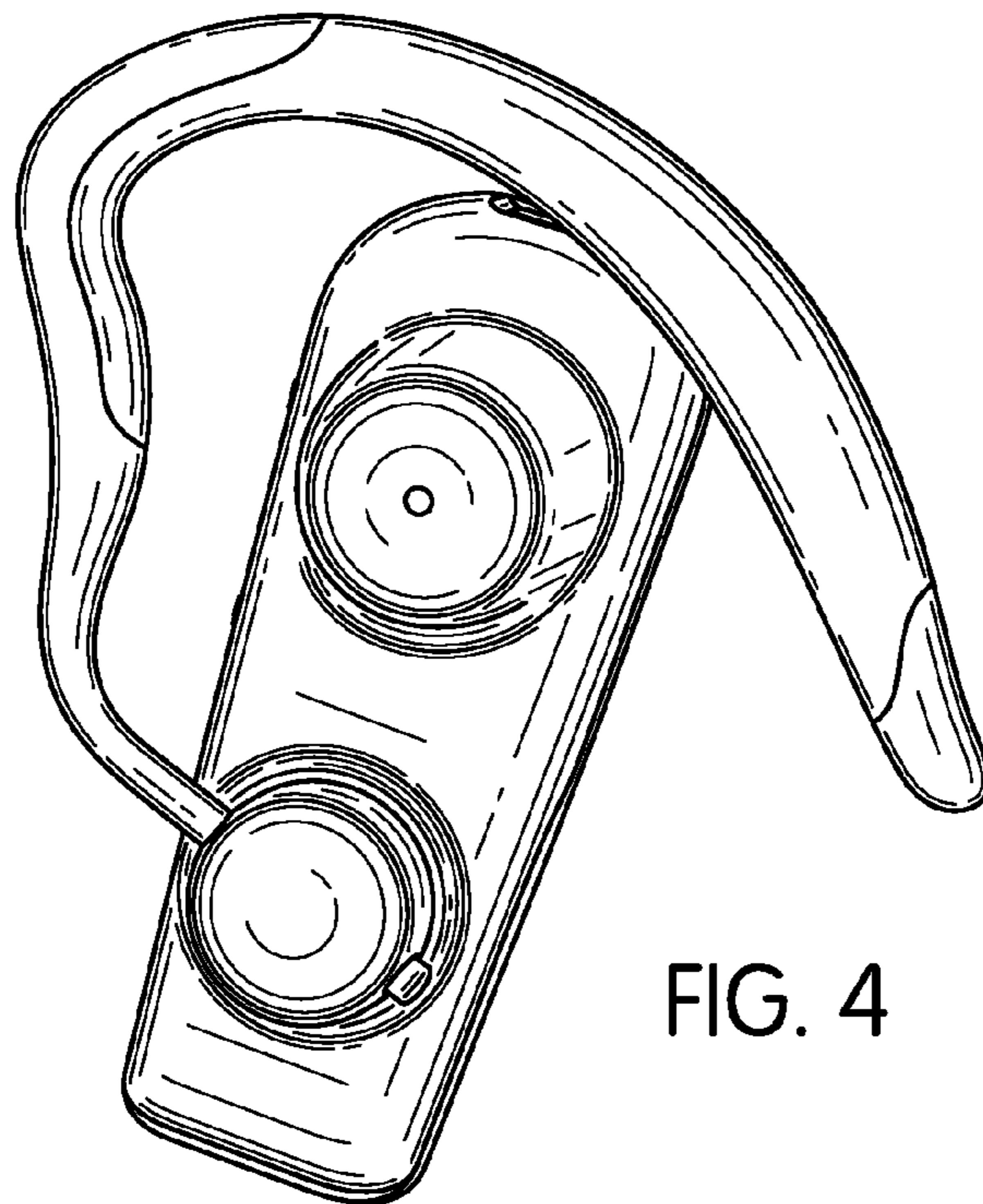


FIG. 4

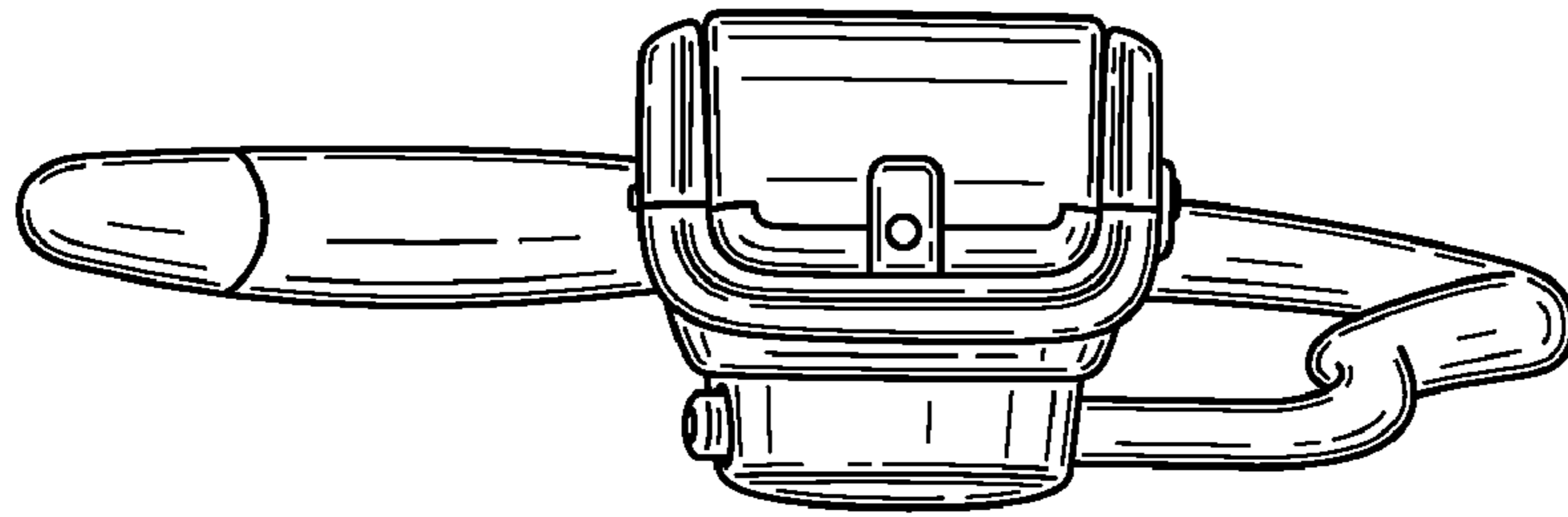


FIG. 5

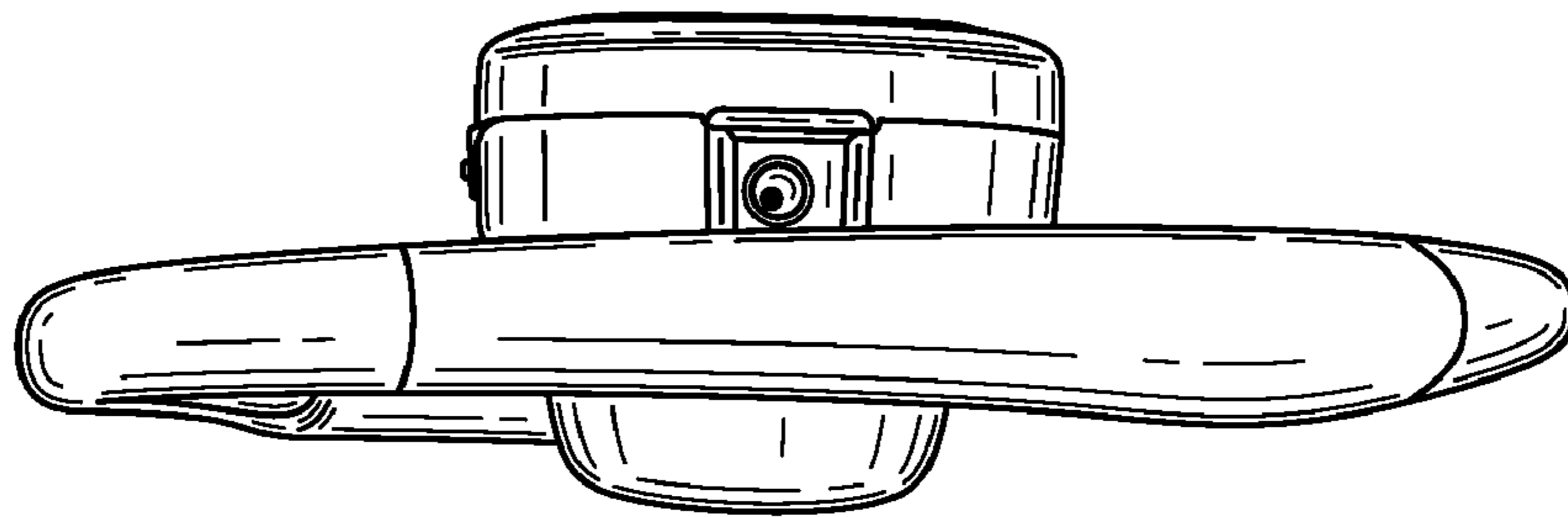


FIG. 6

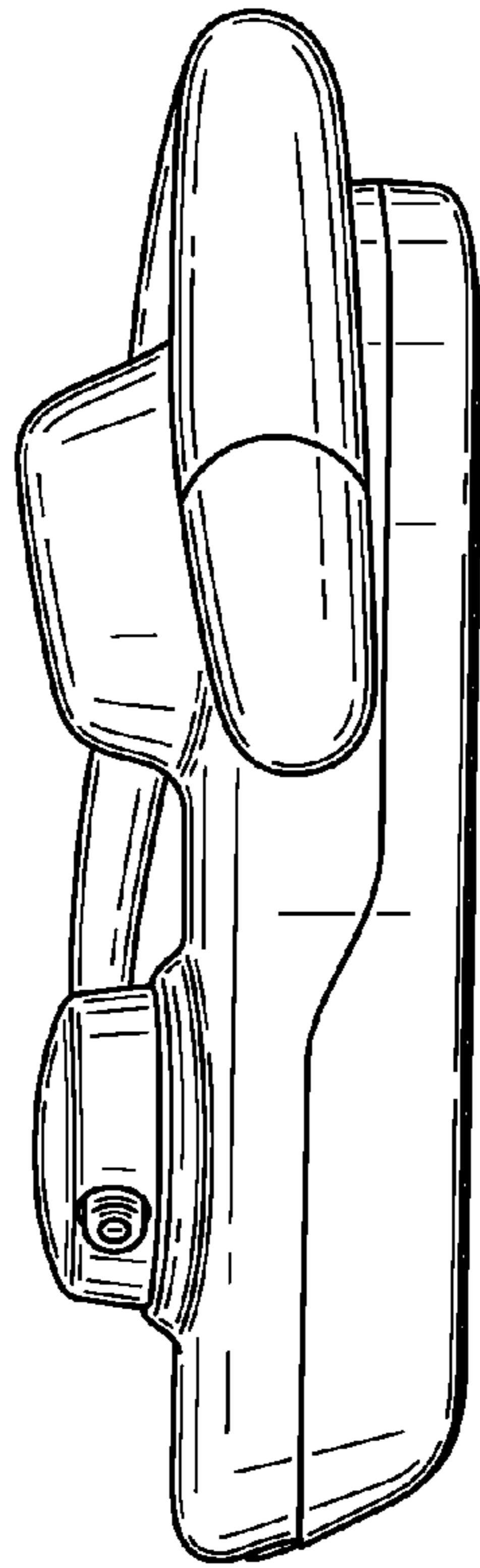


FIG. 7

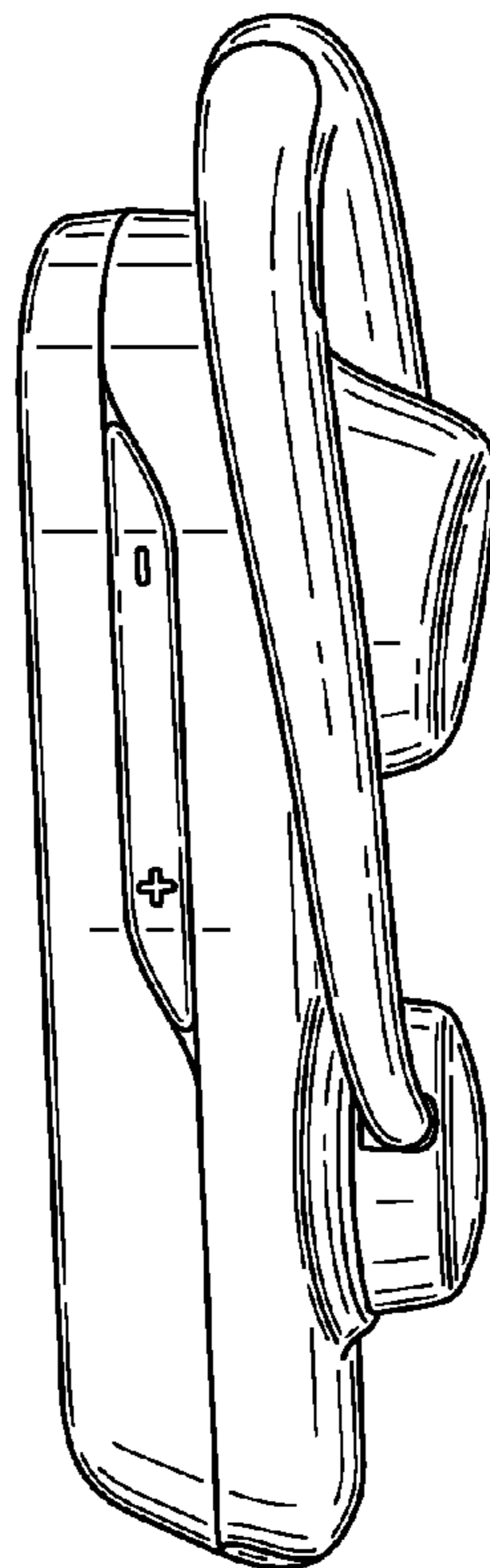


FIG. 8