



US00D574364S

(12) **United States Design Patent**
Anthony et al.

(10) **Patent No.:** **US D574,364 S**

(45) **Date of Patent:** **** Aug. 5, 2008**

(54) **SIDE PANEL FOR A LOUD SPEAKER**

(75) Inventors: **Philip Anthony**, Marlow Bottom (GB);
Bill Webb, London (GB); **Jason Baird**,
Ealing (GB)

(73) Assignee: **Martin Audio Limited**, High Wycombe
(GB)

(**) Term: **14 Years**

(21) Appl. No.: **29/270,122**

(22) Filed: **Dec. 15, 2006**

(30) **Foreign Application Priority Data**

Jun. 16, 2006 (EM) 000548466-0001

(51) **LOC (8) Cl.** **14-01**

(52) **U.S. Cl.** **D14/217; D8/317**

(58) **Field of Classification Search** D14/204,
D14/209–217, 220–222, 224, 299; D8/301,
D8/302, 313, 317; 181/143–148, 150, 157,
181/198–199, 151, 153; 381/300–302, 306,
381/333, 345, 361–364, 386–388, 332, 336;
312/244; 16/443

See application file for complete search history.

(56) **References Cited**

U.S. PATENT DOCUMENTS

4,843,624 A * 6/1989 Rashak 381/91

D303,620 S * 9/1989 Russell et al. D8/313
D305,892 S * 2/1990 Freed D14/213
D319,060 S * 8/1991 Rashak D14/299
5,996,728 A * 12/1999 Stark 181/144
D433,012 S * 10/2000 Arsenault D14/221
6,748,627 B2 * 6/2004 Kotsatos et al. 16/443

* cited by examiner

Primary Examiner—Nanda Bondade

(74) *Attorney, Agent, or Firm*—Venable LLP; Robert Kinberg

(57) **CLAIM**

The ornamental design for a side panel for a loud speaker, as shown and described.

DESCRIPTION

FIG. 1 is a perspective view from the front-top-left side of the side panel for a loud speaker showing a first embodiment of our new design;

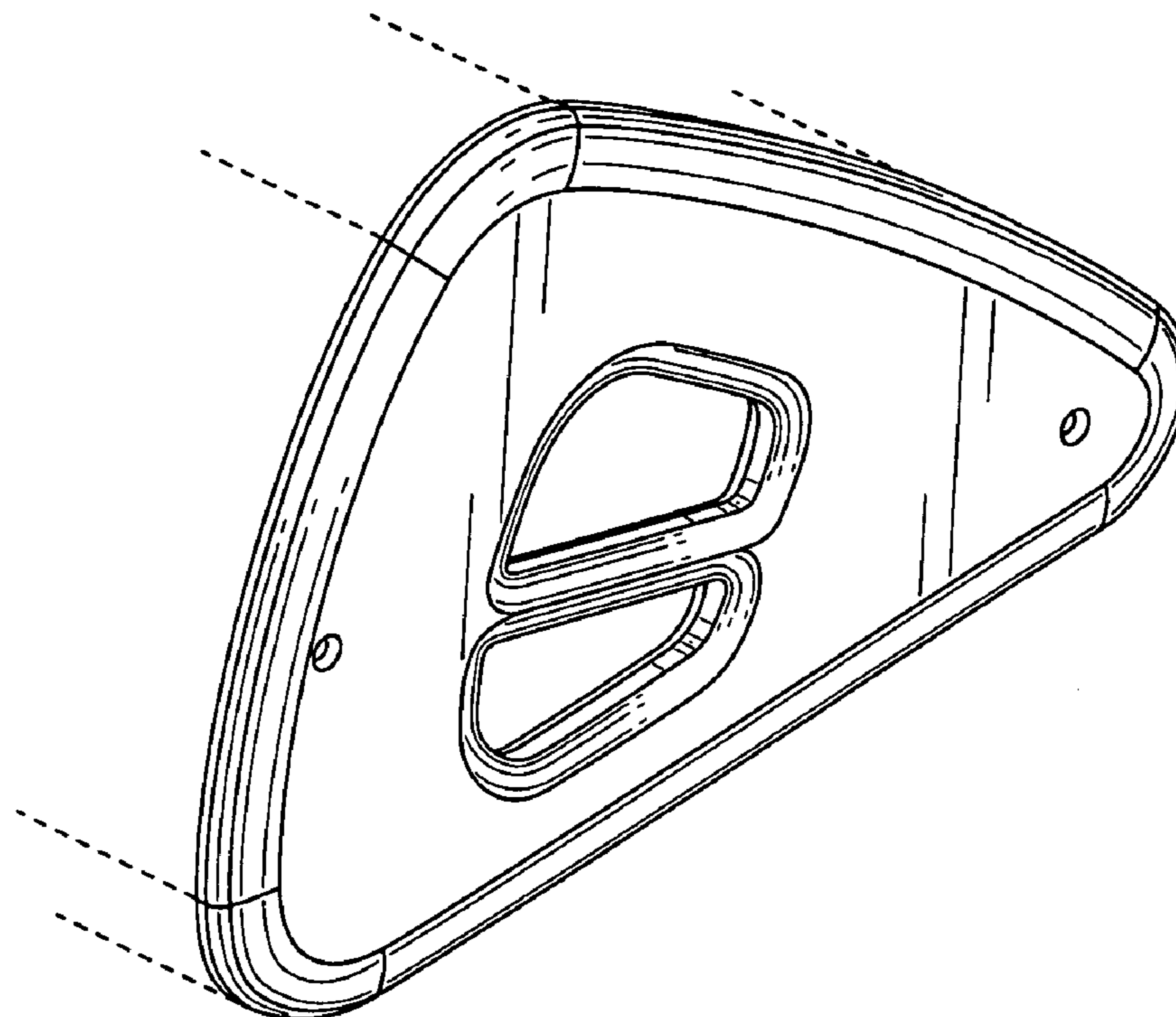
FIG. 2 is a front view of the design shown in FIG. 1;

FIG. 3 is a perspective view from the front-top-right side of the side panel for a loud speaker showing a second embodiment of our new design; and,

FIG. 4 is a front view of the design shown in FIG. 3.

The broken line showing on the drawing disclosure is for illustrative purposes only and forms no part of the claimed design.

1 Claim, 3 Drawing Sheets



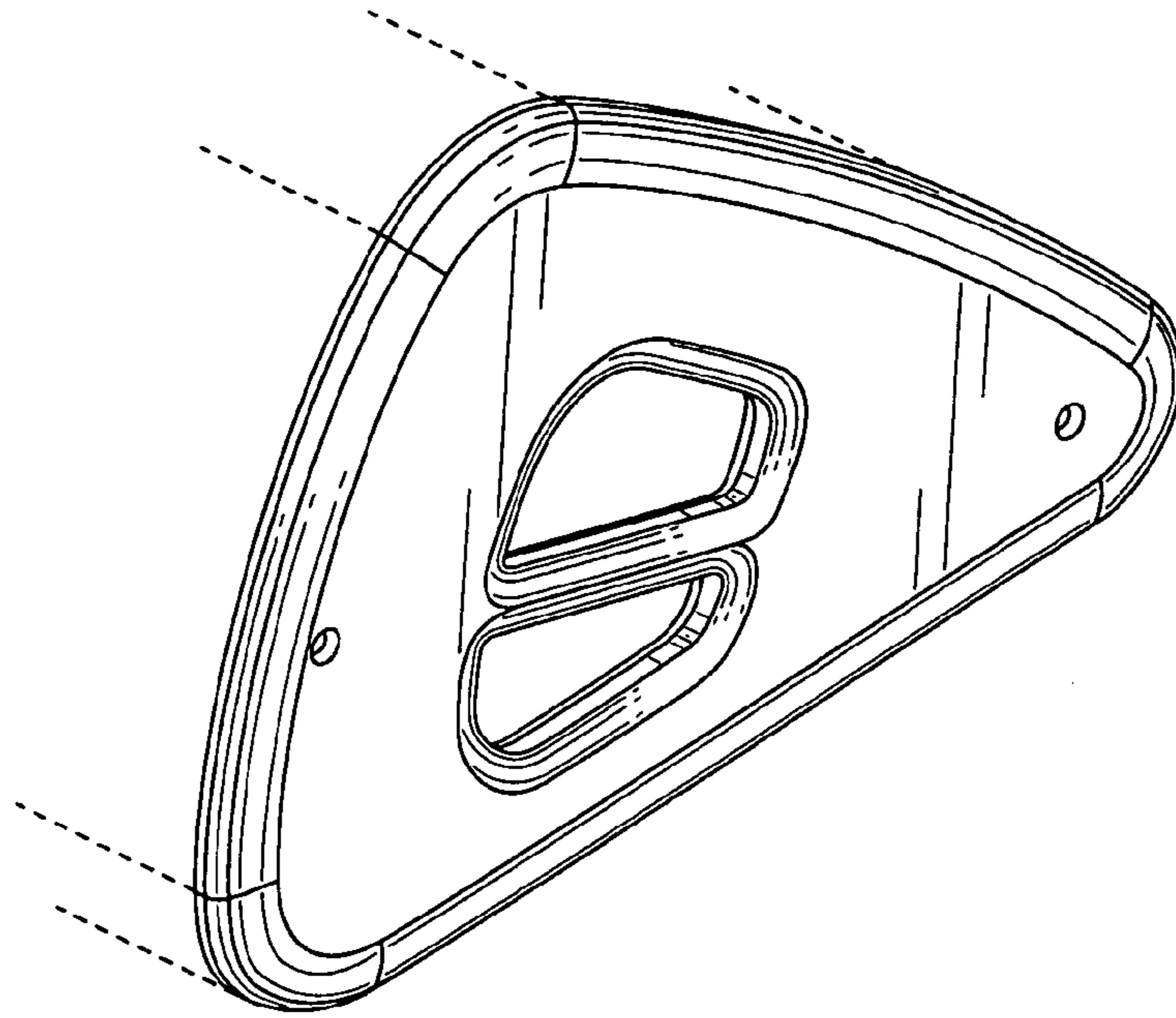


FIG. 1

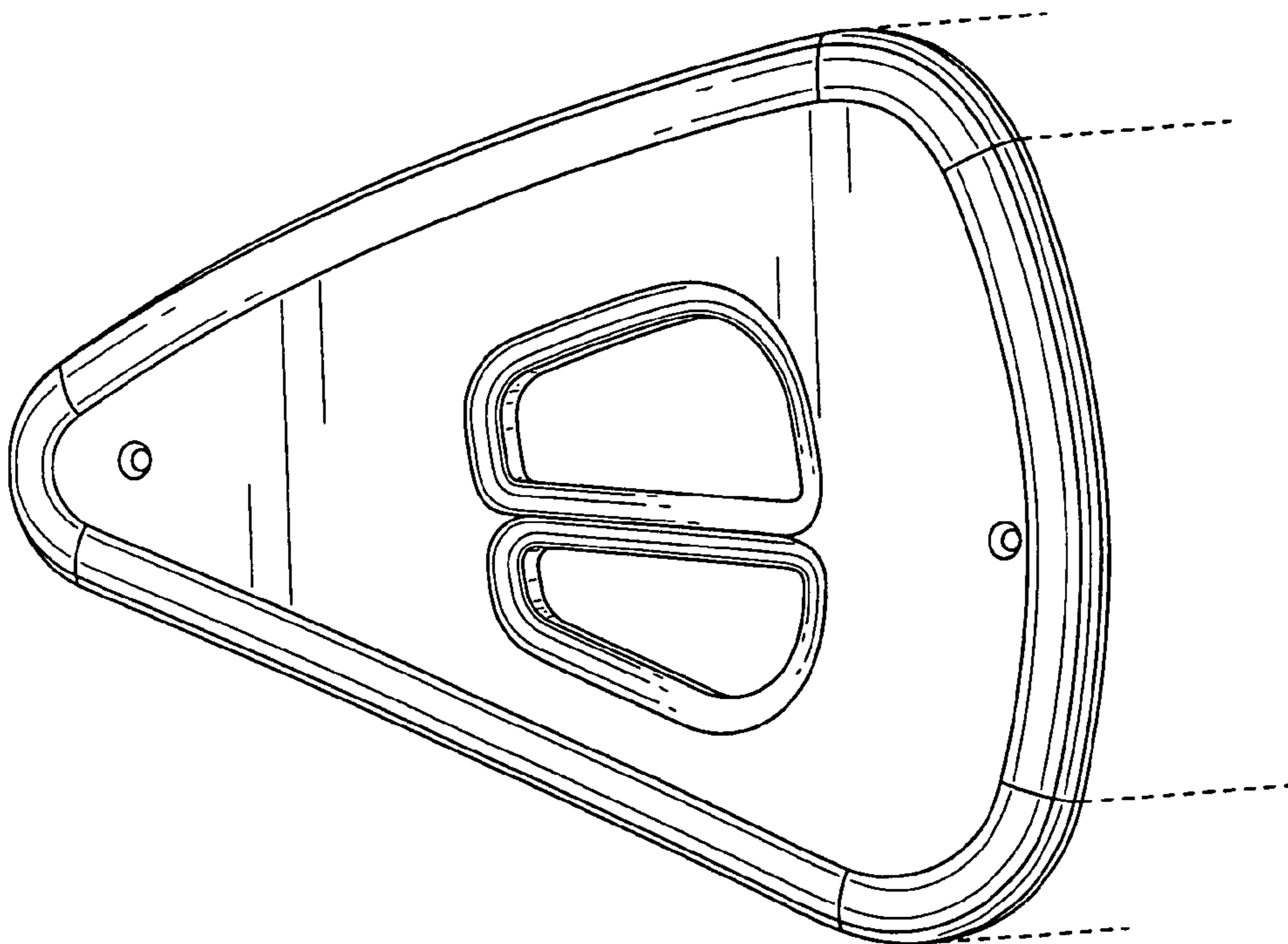


FIG. 3

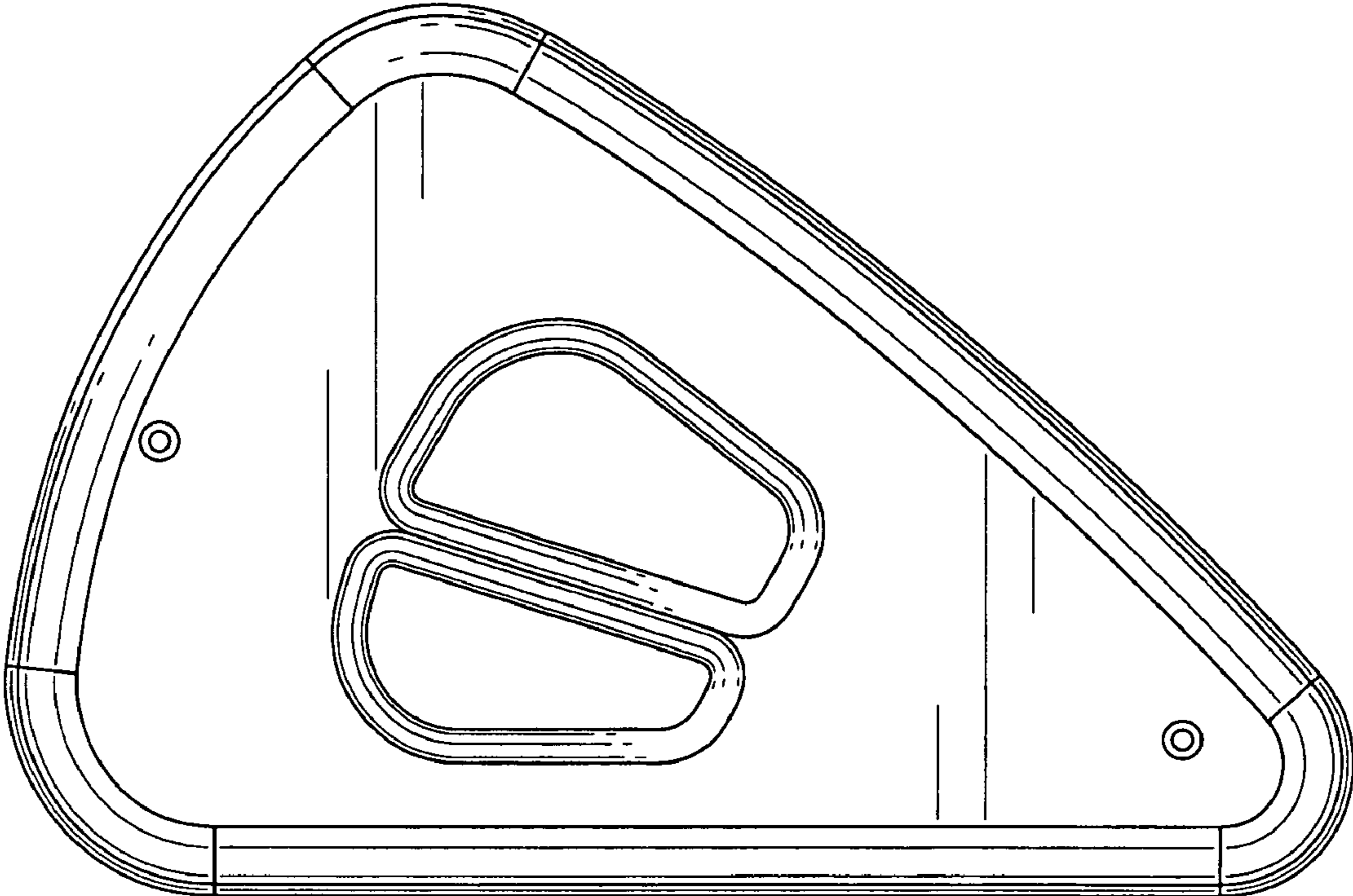


FIG. 2

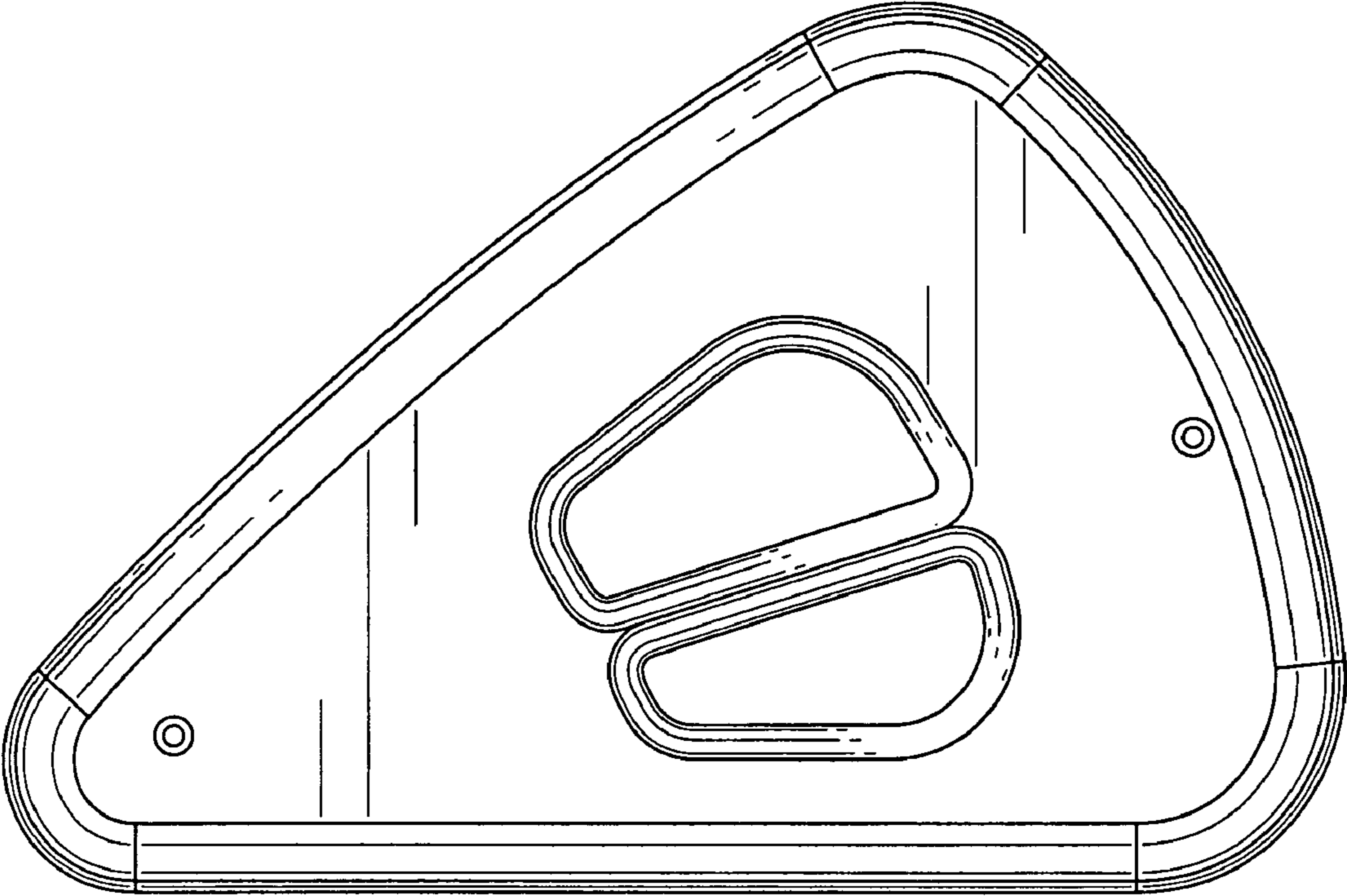


FIG. 4