



US00D574363S

(12) **United States Design Patent**
Laituri et al.

(10) **Patent No.:** **US D574,363 S**

(45) **Date of Patent:** **** Aug. 5, 2008**

(54) **PORTABLE SPEAKER FOR AUDIO PLAYER**

(75) Inventors: **David Laituri**, Wayland, MA (US);
James D. TerMeer, Concord, NH (US)

(73) Assignee: **Brookstone Purchasing, Inc.**,
Merrimark, NH (US)

(**) Term: **14 Years**

(21) Appl. No.: **29/286,417**

(22) Filed: **May 4, 2007**

(51) **LOC (8) Cl.** **14-01**

(52) **U.S. Cl.** **D14/216; D14/168**

(58) **Field of Classification Search** D14/204,
D14/207, 210–216; 181/143–144, 147–148,
181/150–153, 157, 198–199; 381/300–303,
381/306, 332–333, 336, 345, 361–364, 386–388
See application file for complete search history.

(56) **References Cited**

U.S. PATENT DOCUMENTS

D268,469 S *	4/1983	Ruxton et al.	D7/320
D315,476 S *	3/1991	Sun	D7/603
D506,644 S *	6/2005	Poupel et al.	D7/603
D510,926 S *	10/2005	Jerome	D14/156
D530,141 S *	10/2006	Wilgus et al.	D7/313

* cited by examiner

Primary Examiner—Nanda Bondade

(74) *Attorney, Agent, or Firm*—Grossman Tucker Perreault & Pflieger

(57) **CLAIM**

We claim the ornamental design for a portable speaker for audio player, as shown and described.

DESCRIPTION

FIG. 1 is a perspective view of a portable speaker for audio player showing a first embodiment of our design.

FIG. 2 is a front elevational view thereof.

FIG. 3 is a rear elevational view thereof.

FIG. 4 is a left side elevational view thereof.

FIG. 5 is a right side elevational view thereof.

FIG. 6 is a top plan view thereof.

FIG. 7 is a bottom plan view thereof.

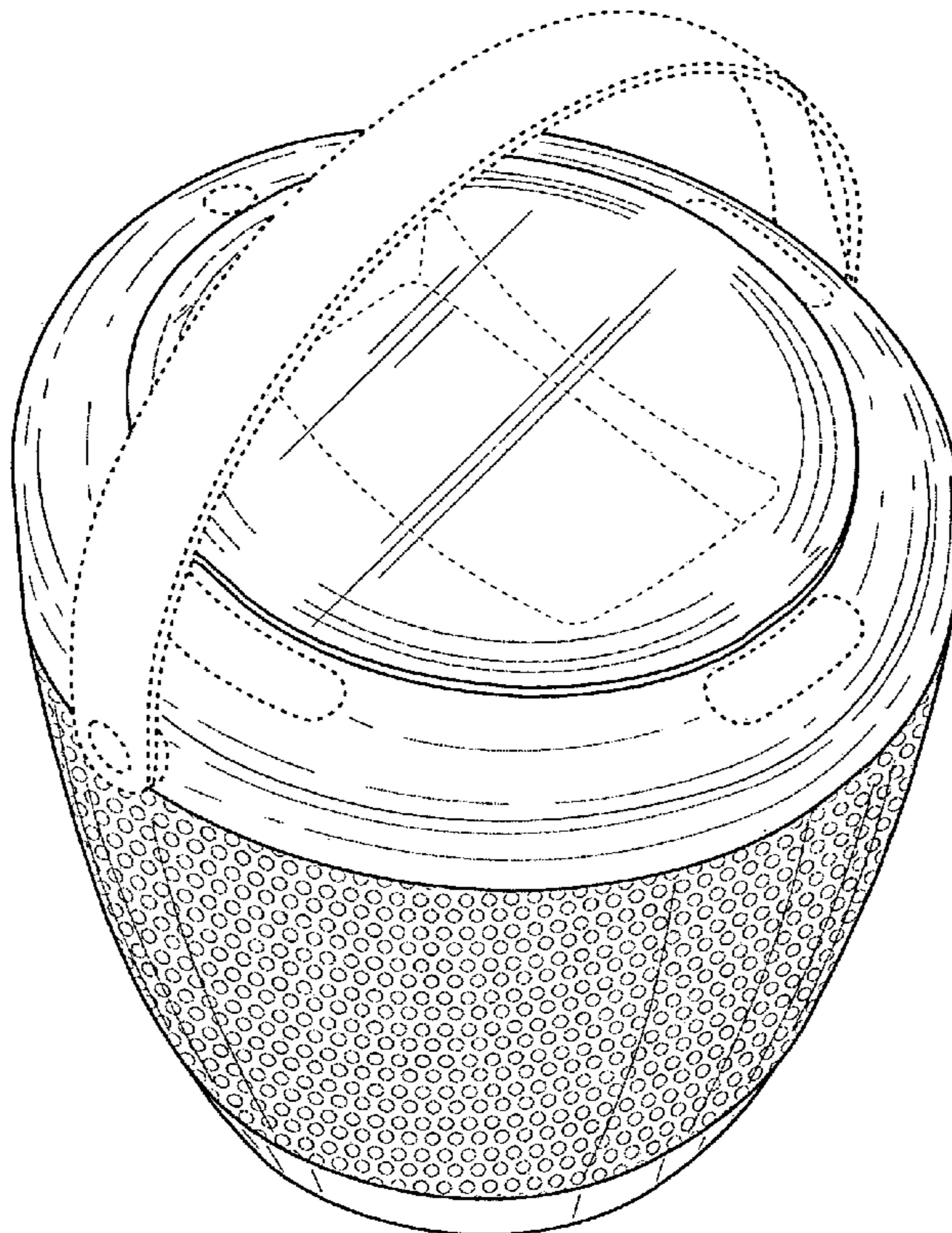
FIG. 8 is a perspective view of an alternative embodiment of FIG. 1;

FIG. 9 is a left side elevational view of FIG. 8; and,

FIG. 10 is a right side elevational view of FIG. 8.

The broken lines showing on the drawing disclosure are for illustrative purposes only and form no part of the claimed design.

1 Claim, 10 Drawing Sheets



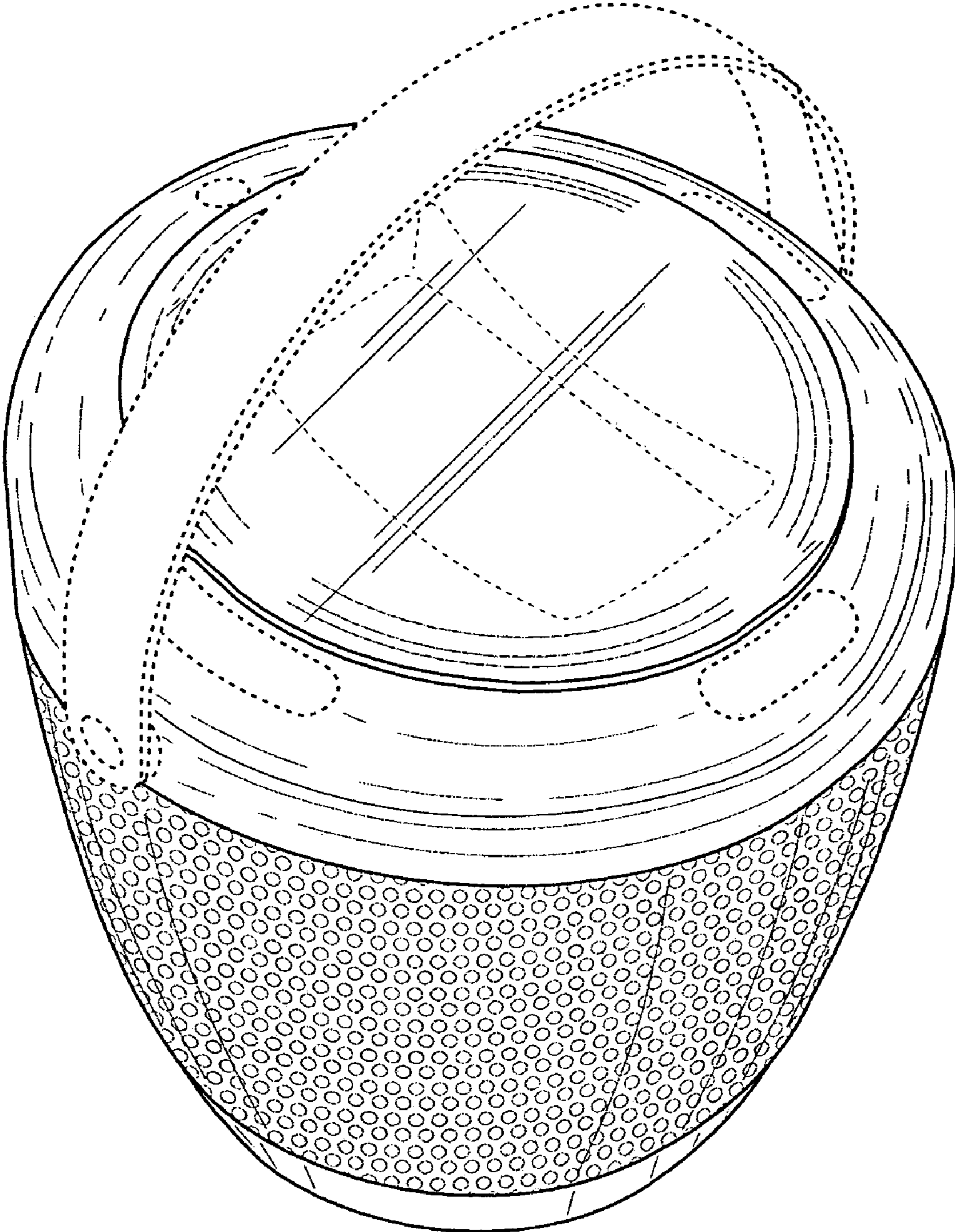


FIG. 1

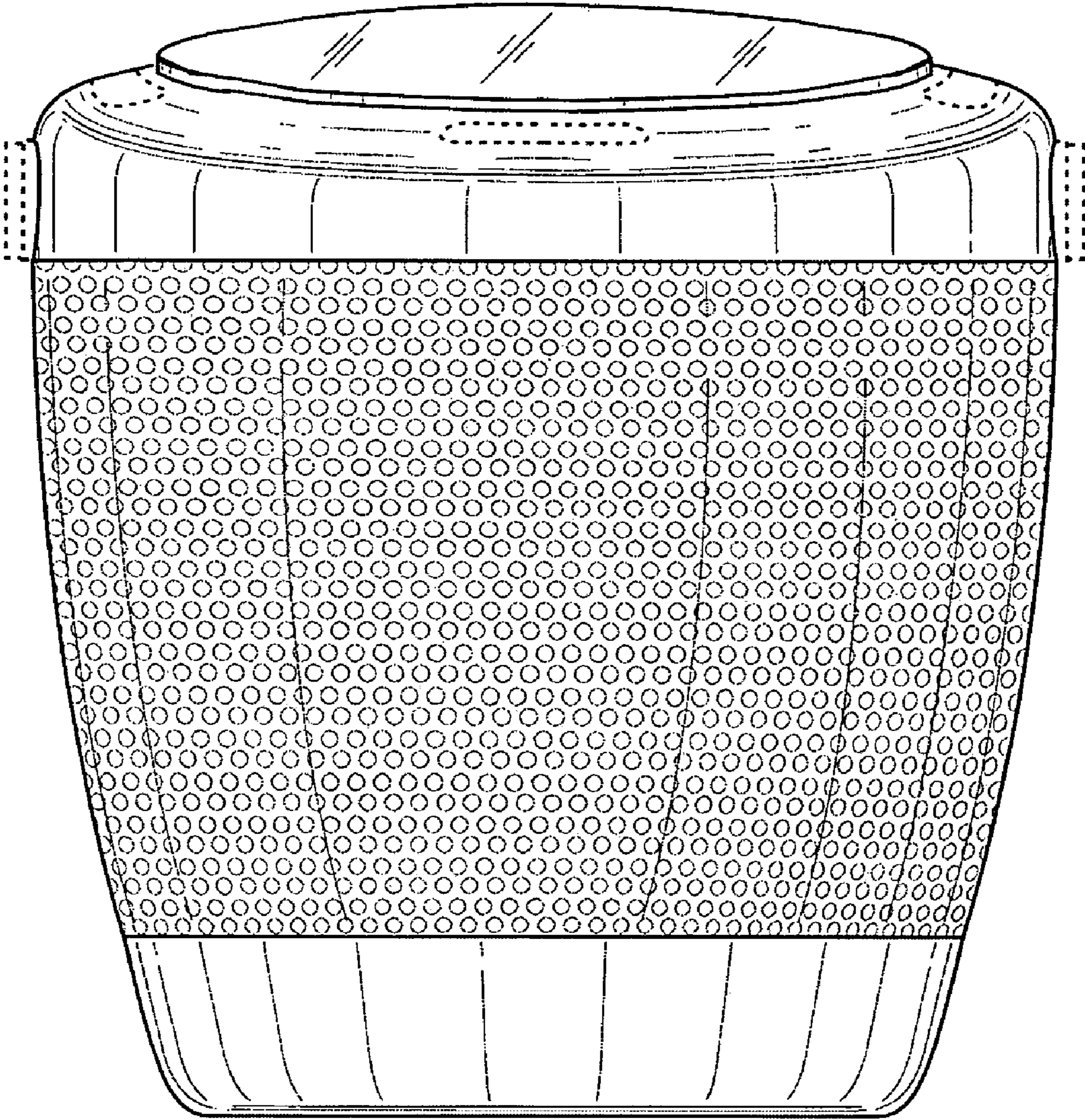


FIG. 2

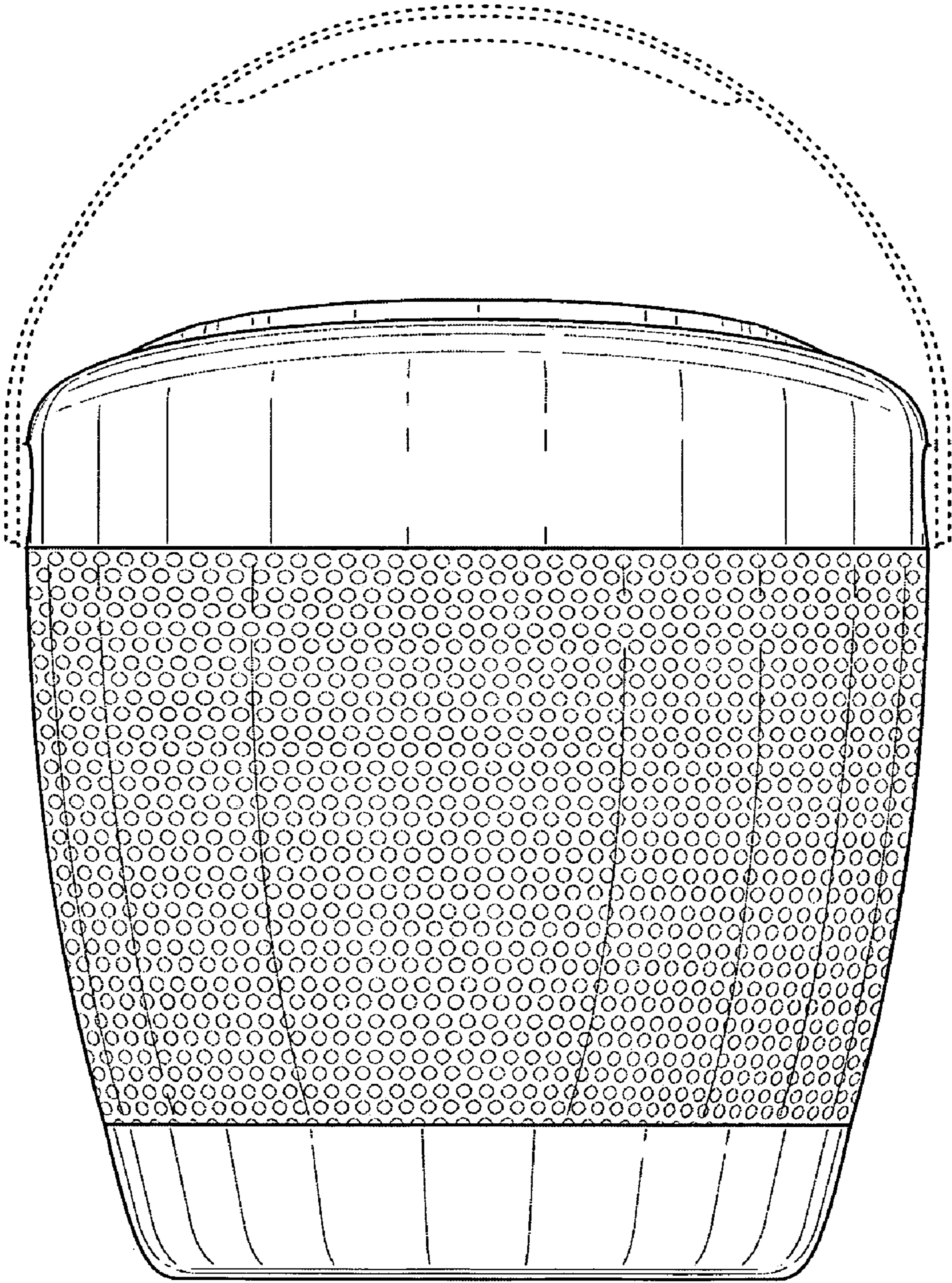


FIG. 3

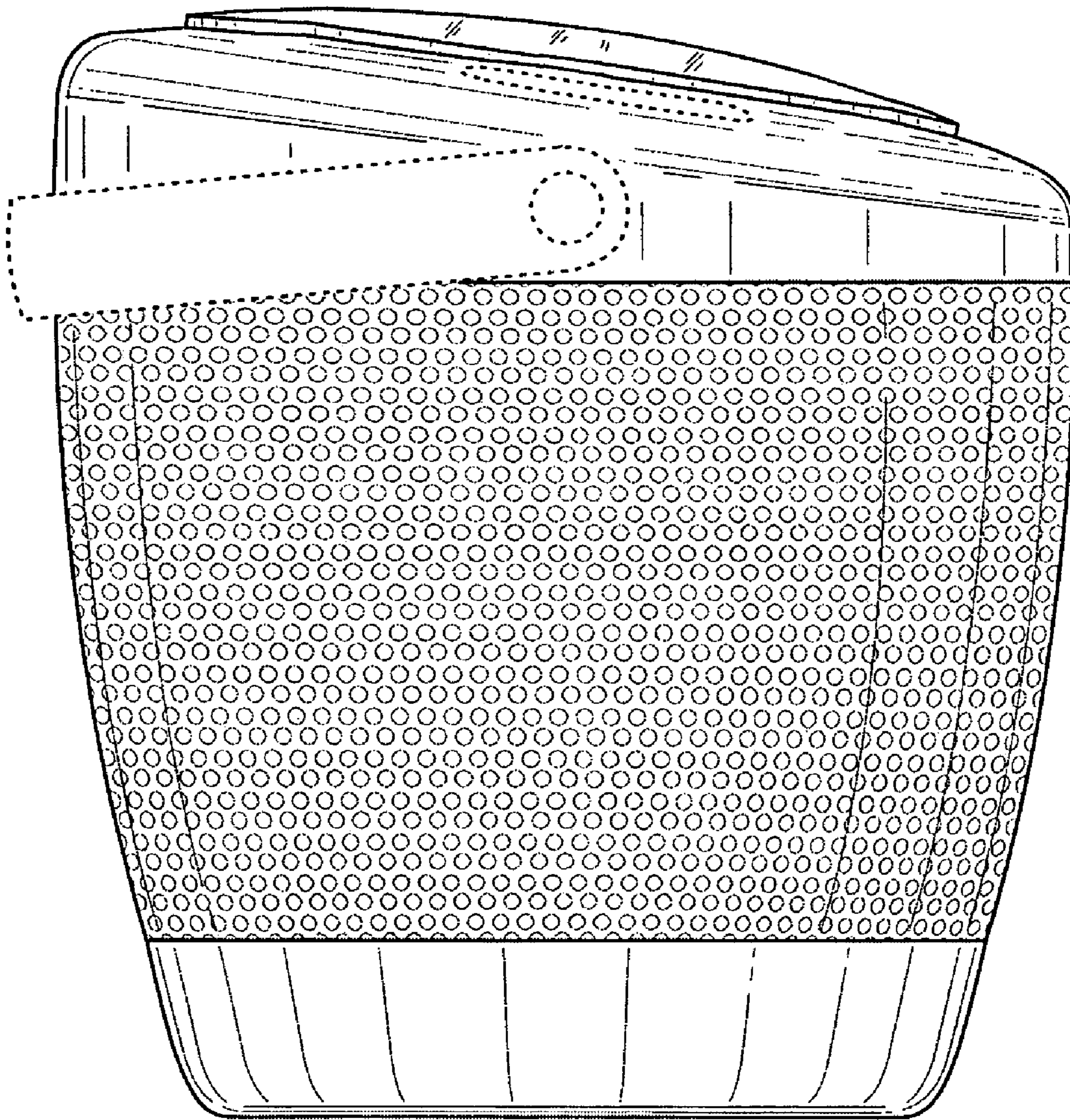


FIG. 4

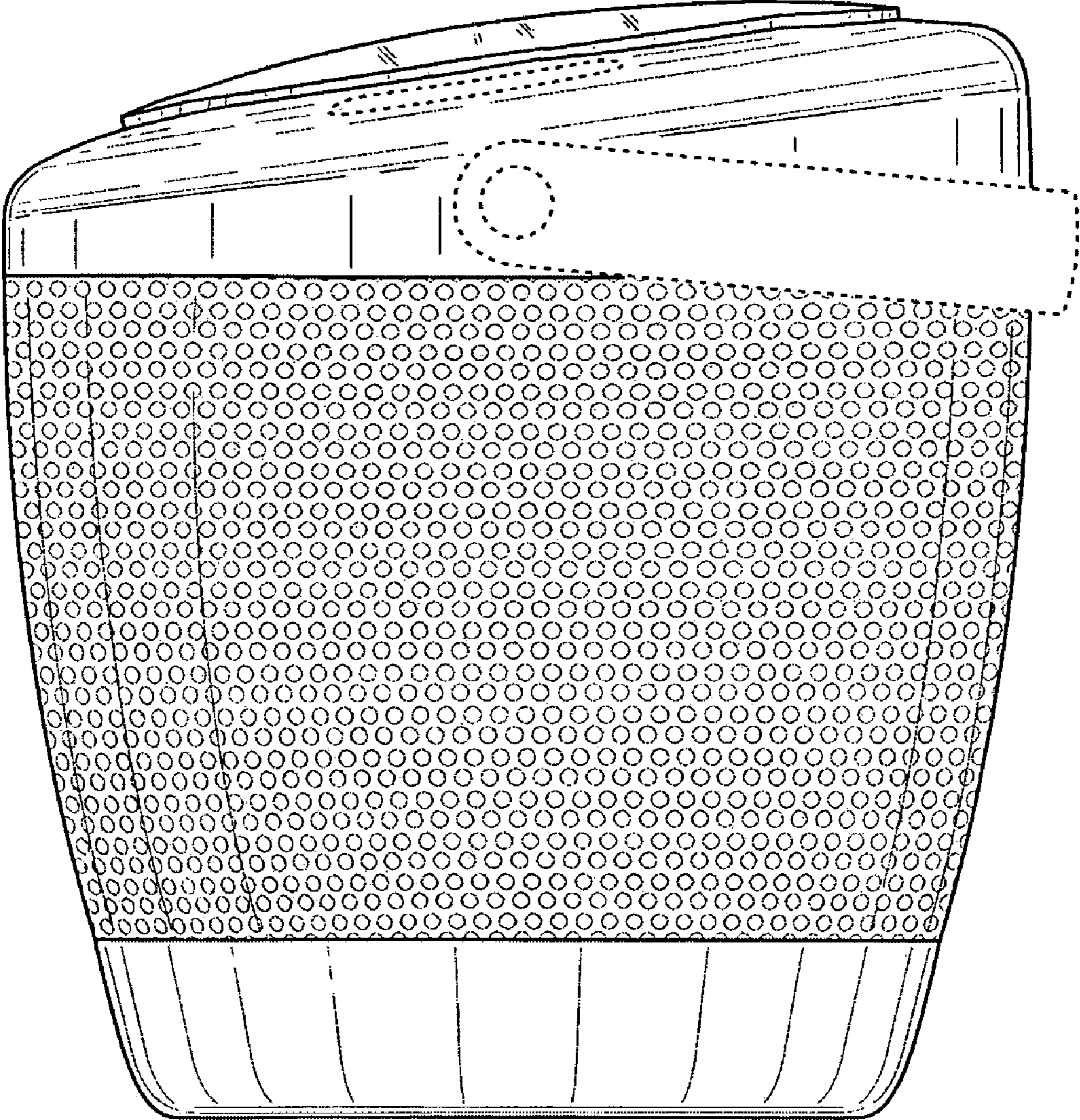


FIG. 5

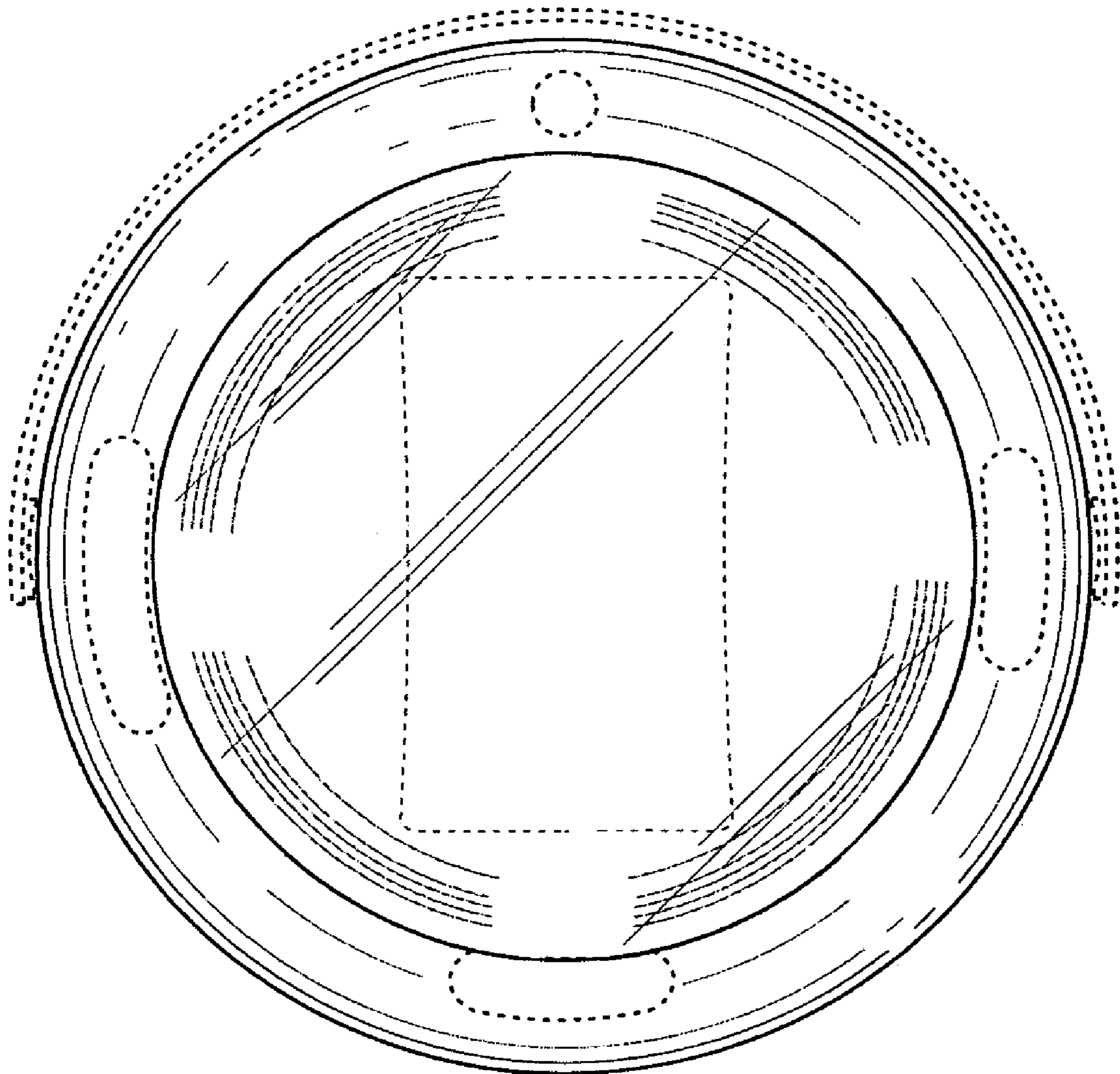


FIG. 6

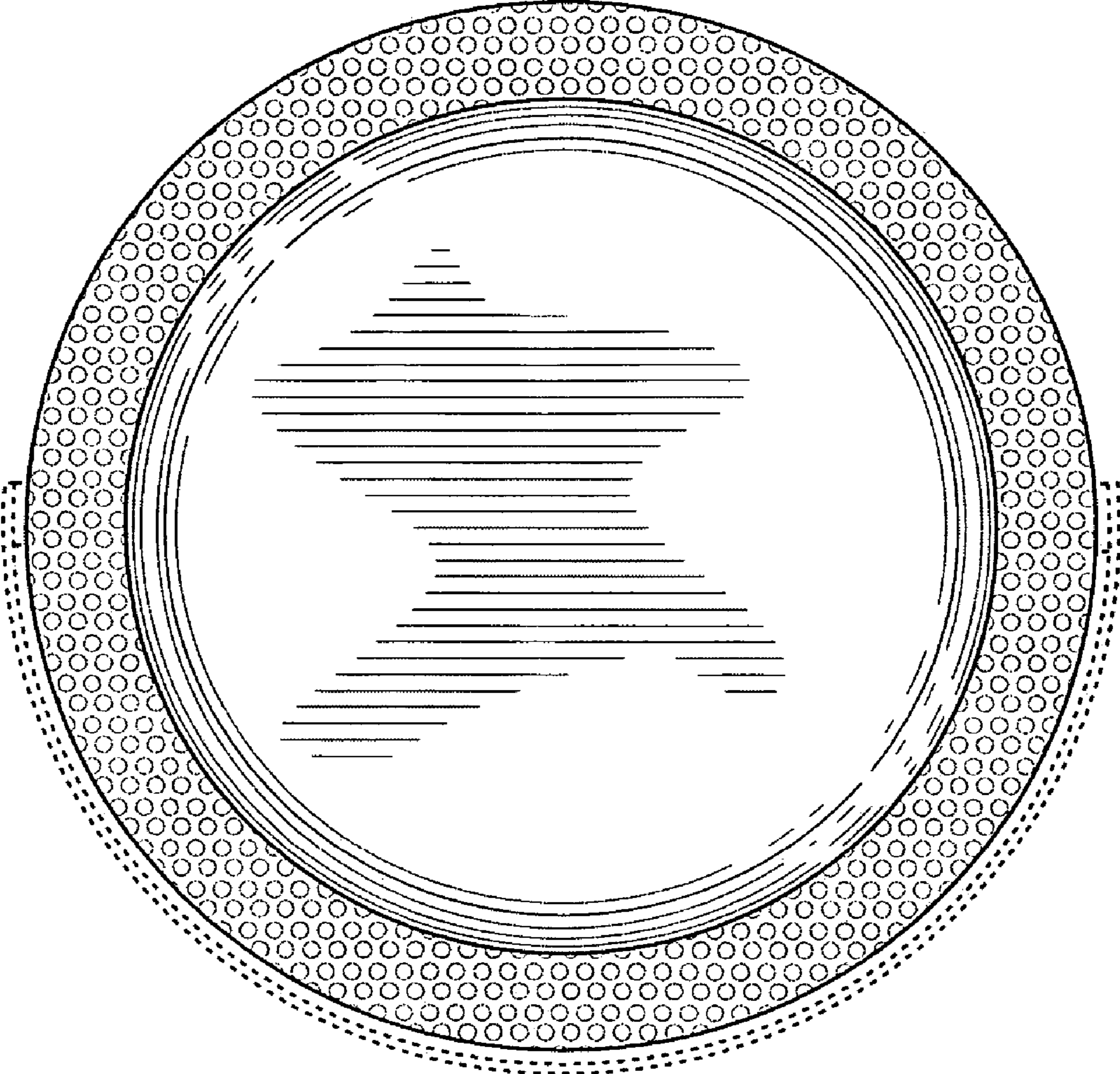


FIG. 7

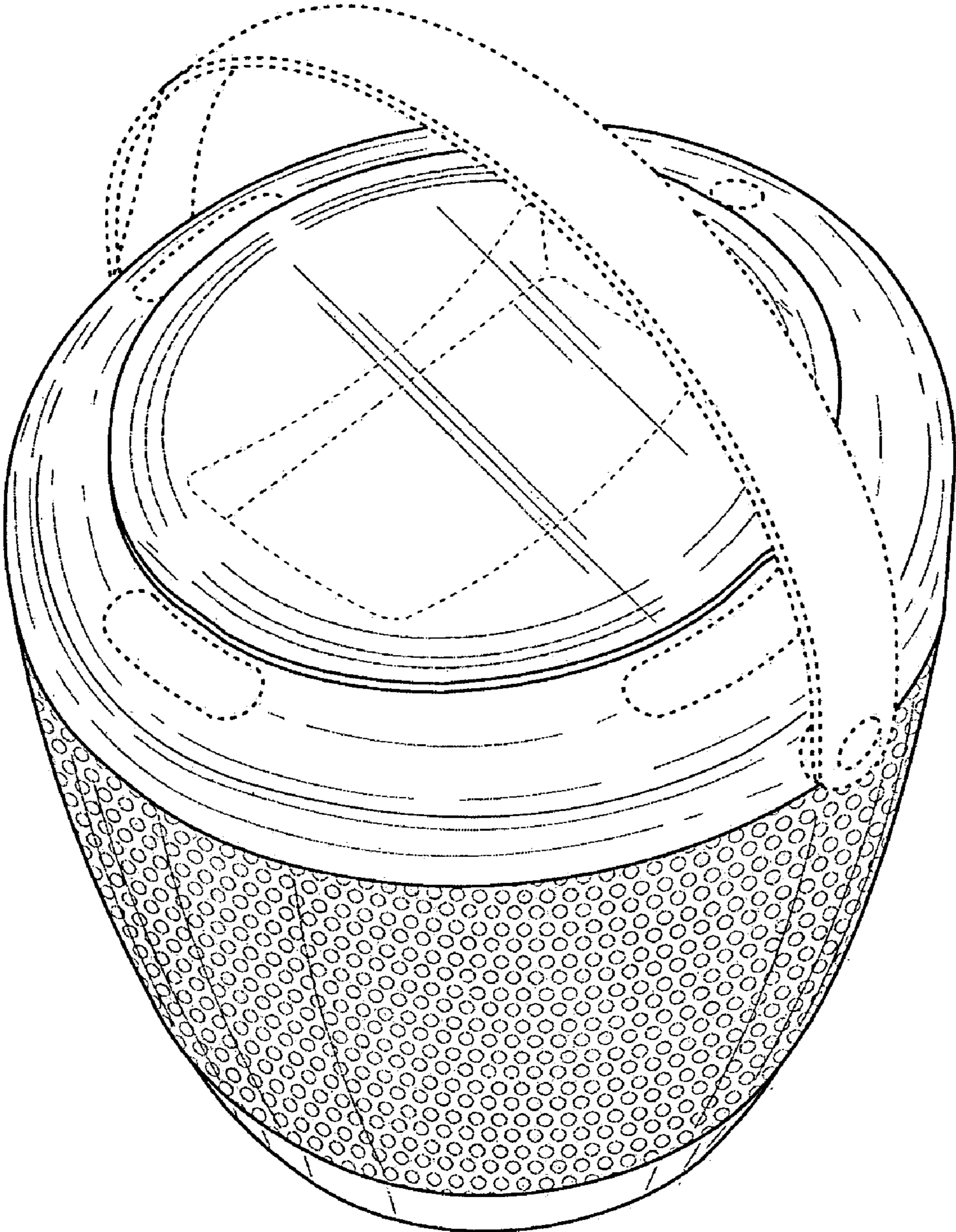


FIG. 8

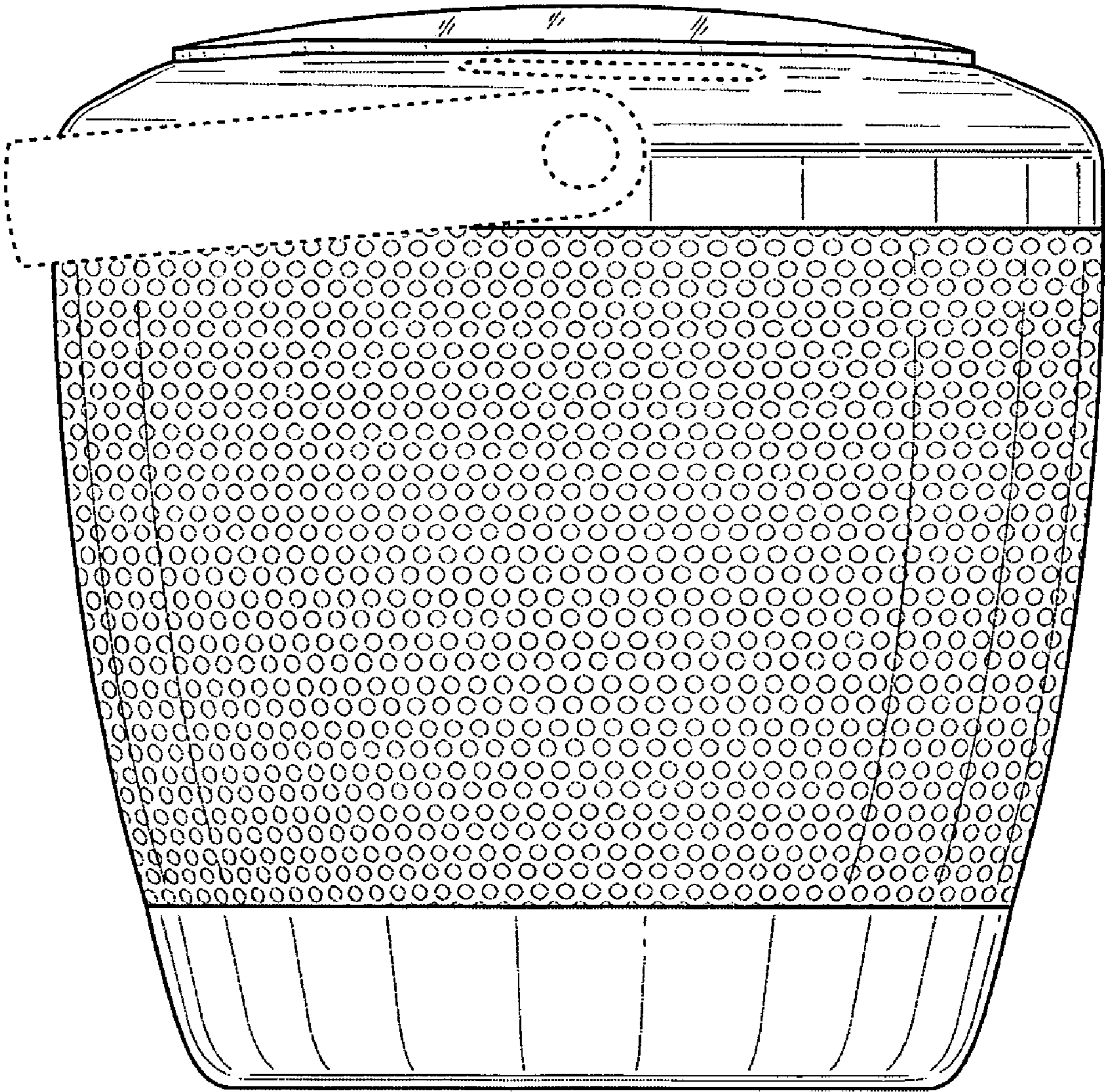


FIG. 9

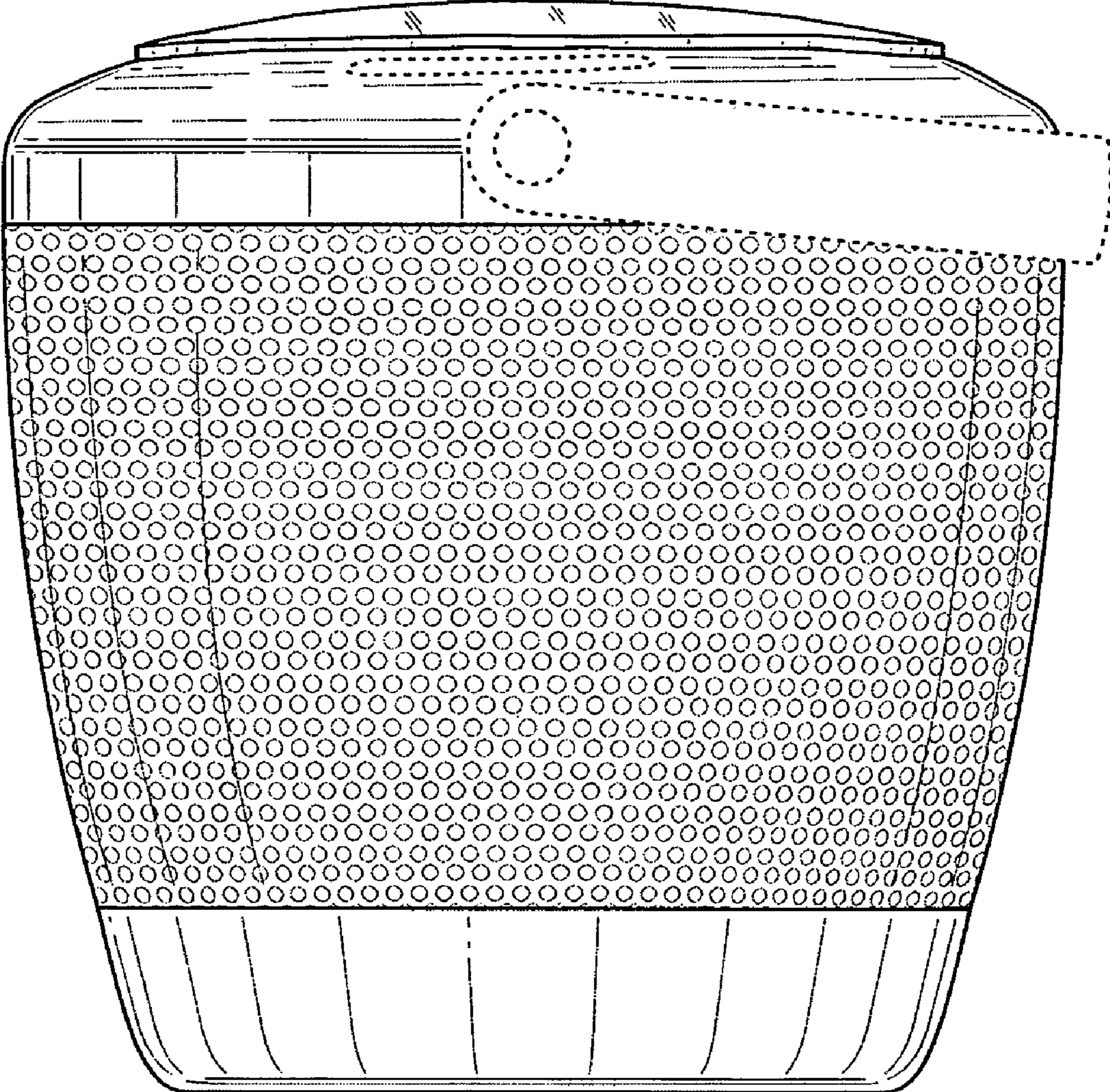


FIG. 10