



US00D574362S

(12) **United States Design Patent**  
**Zhong**

(10) **Patent No.:** **US D574,362 S**

(45) **Date of Patent:** **\*\* Aug. 5, 2008**

(54) **VACUUM TUBE SPEAKER**

D415,155 S \* 10/1999 Kokkinis ..... D14/168  
D469,079 S \* 1/2003 Cuvelier ..... D14/168

(75) Inventor: **Tomson Zhong**, New Territories (HK)

\* cited by examiner

(73) Assignee: **Dermax Technology Limited**, New Territories (HK)

*Primary Examiner*—Nanda Bondade  
(74) *Attorney, Agent, or Firm*—Intellectual Property Law Group LLP; Otto O. Lee; Juneko Jackson

(\*\*) Term: **14 Years**

(21) Appl. No.: **29/275,802**

(57) **CLAIM**

(22) Filed: **Jan. 5, 2007**

The ornamental design for a vacuum tube speaker, as shown and described.

(51) **LOC (8) Cl.** ..... **14-01**

(52) **U.S. Cl.** ..... **D14/214; D14/168**

(58) **Field of Classification Search** ..... D14/204,  
D14/209–216, 168, 172; 181/143–144, 147–148,  
181/150, 157, 198–199, 151, 153; 381/300–302,  
381/306, 333, 345, 361–364, 386–388, 332,  
381/336

See application file for complete search history.

**DESCRIPTION**

FIG. 1 is a perspective view of a vacuum tube speaker embodying my design;

FIG. 2 is a front elevational view thereof;

FIG. 3 is a rear elevational view thereof;

FIG. 4 is a left side elevational view thereof;

FIG. 5 is a right side elevational view thereof;

FIG. 6 is a top plan view thereof; and,

FIG. 7 is a bottom plan view thereof.

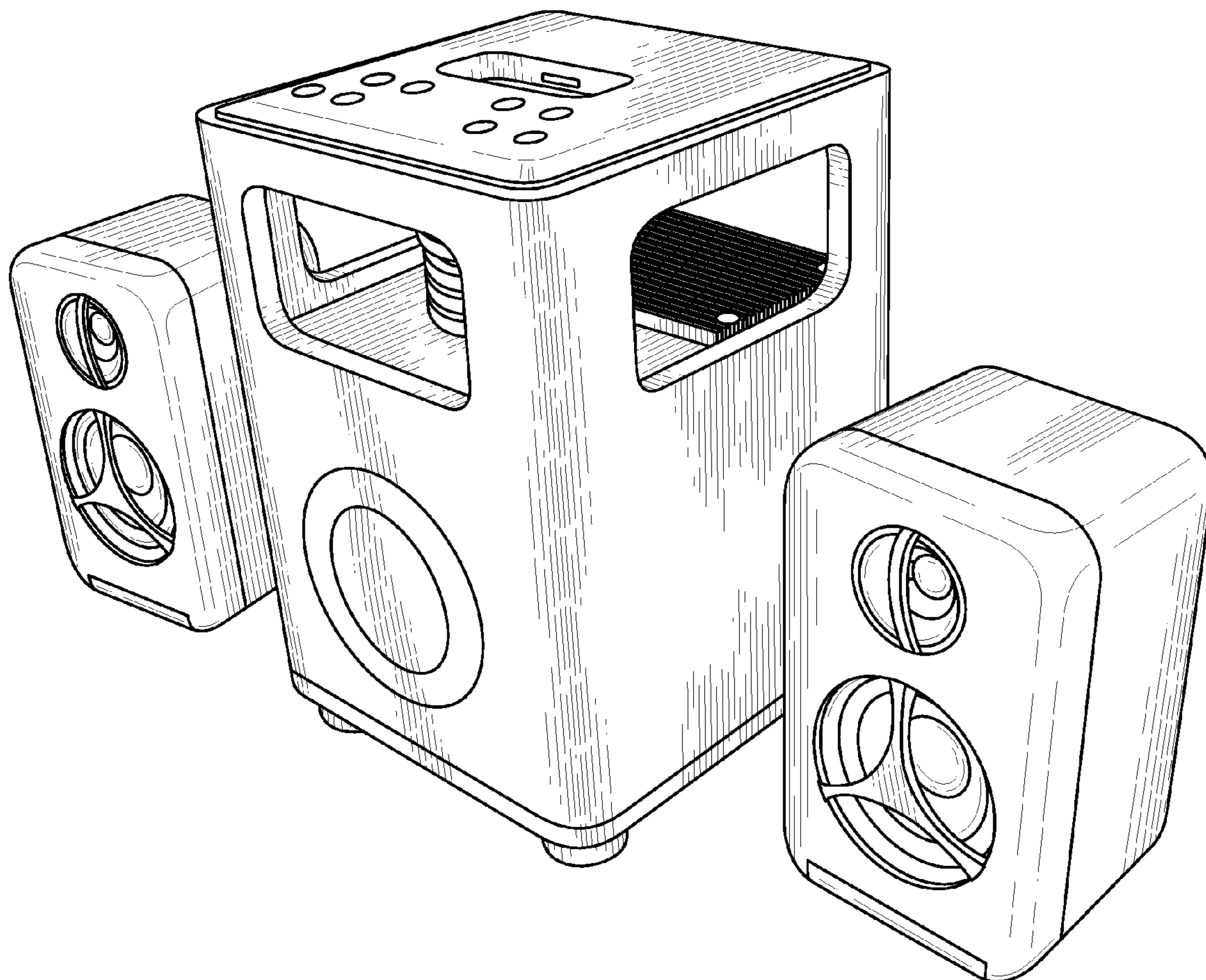
(56) **References Cited**

**U.S. PATENT DOCUMENTS**

D339,345 S \* 9/1993 Fuke ..... D14/168

D365,822 S \* 1/1996 Ito et al. .... D14/168

**1 Claim, 4 Drawing Sheets**



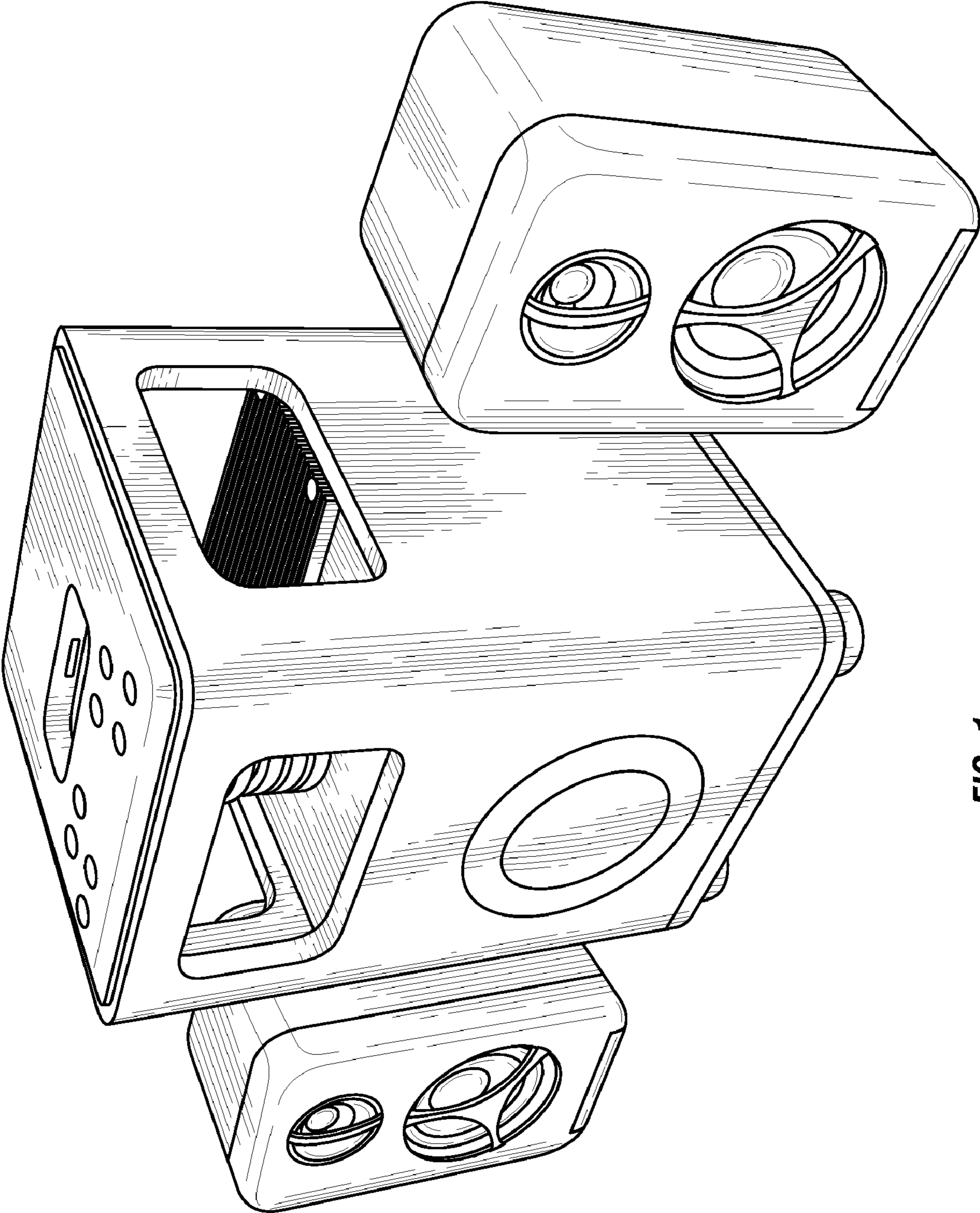


FIG. 1

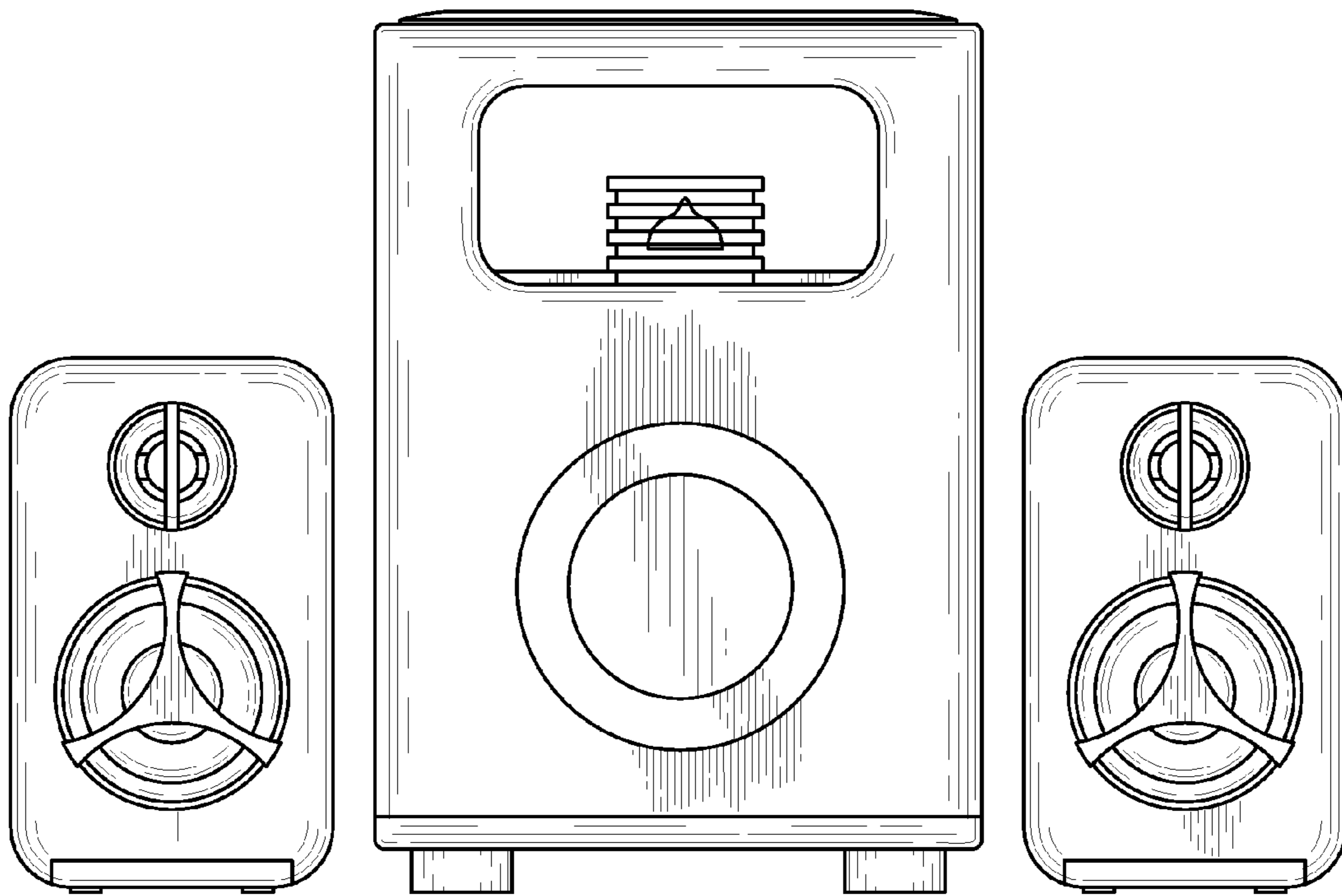


FIG. 2

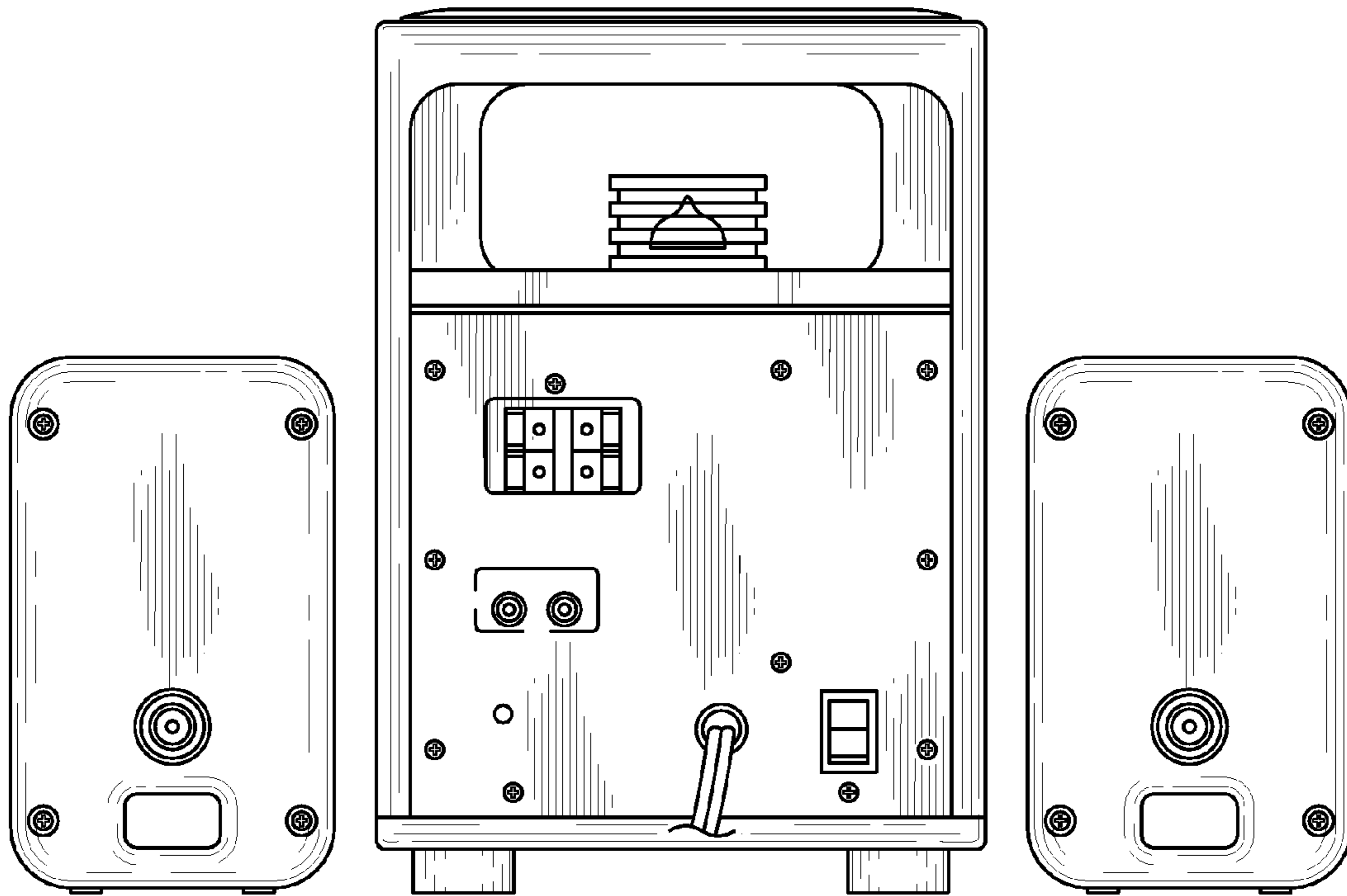


FIG. 3

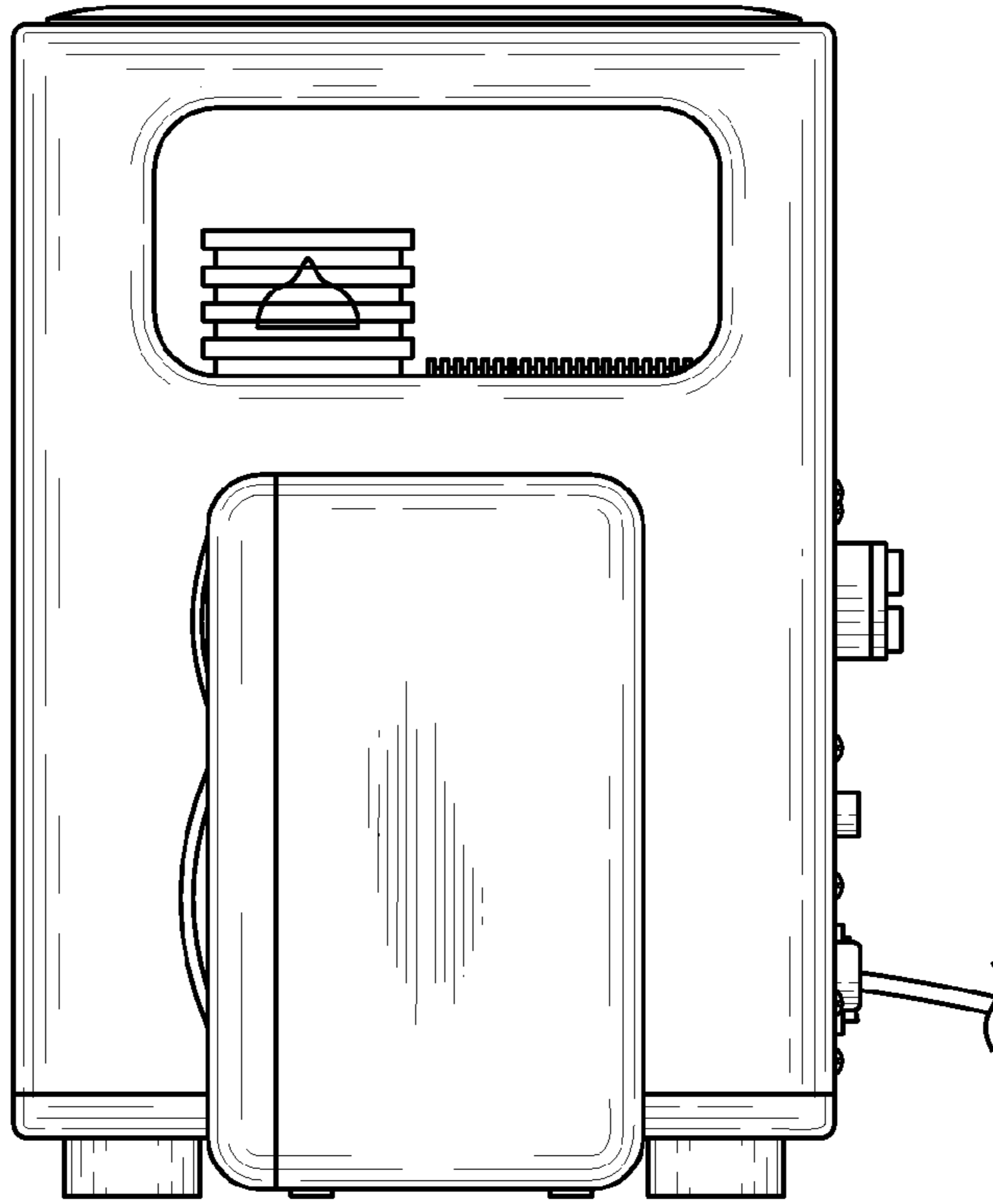


FIG. 4

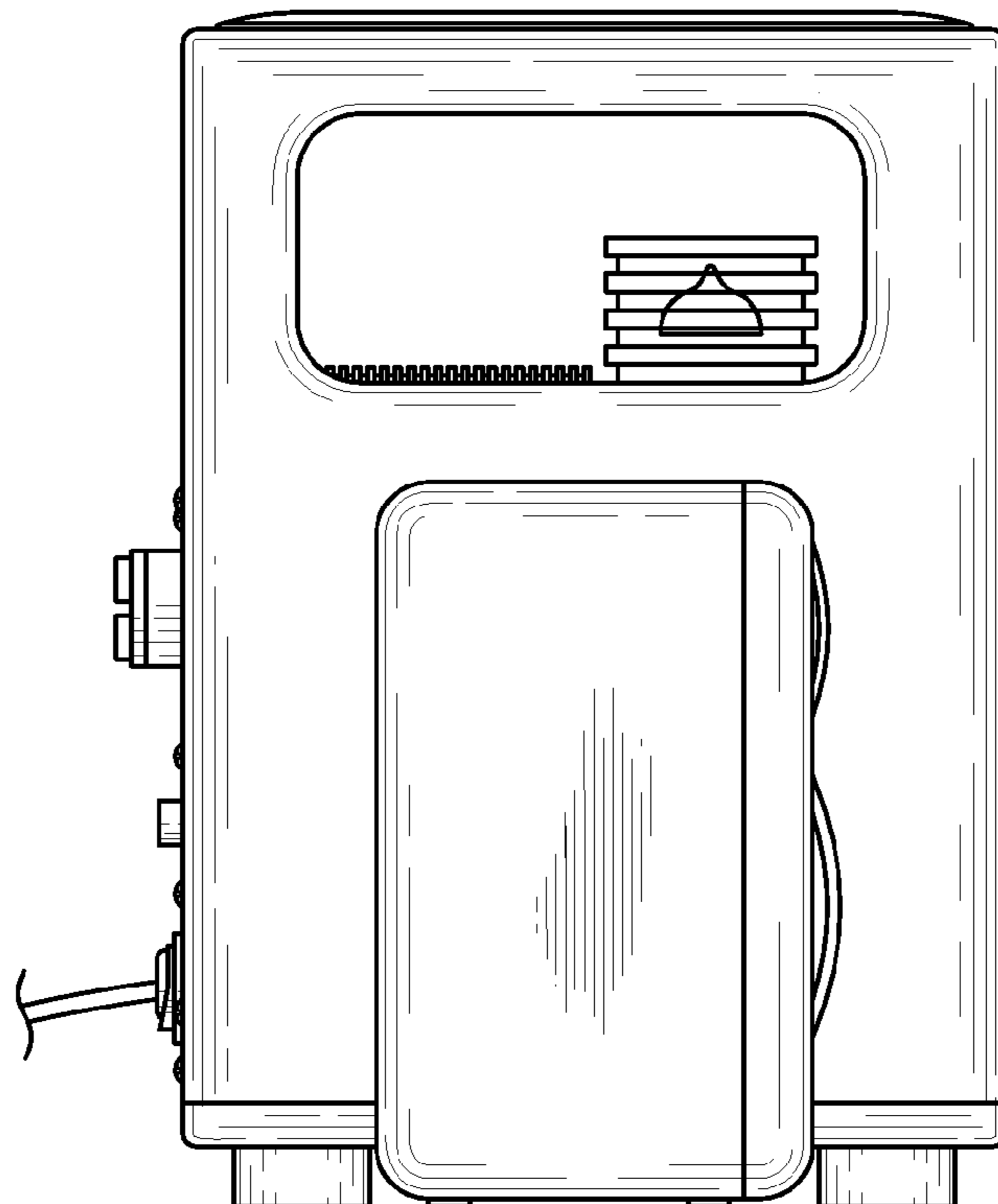


FIG. 5

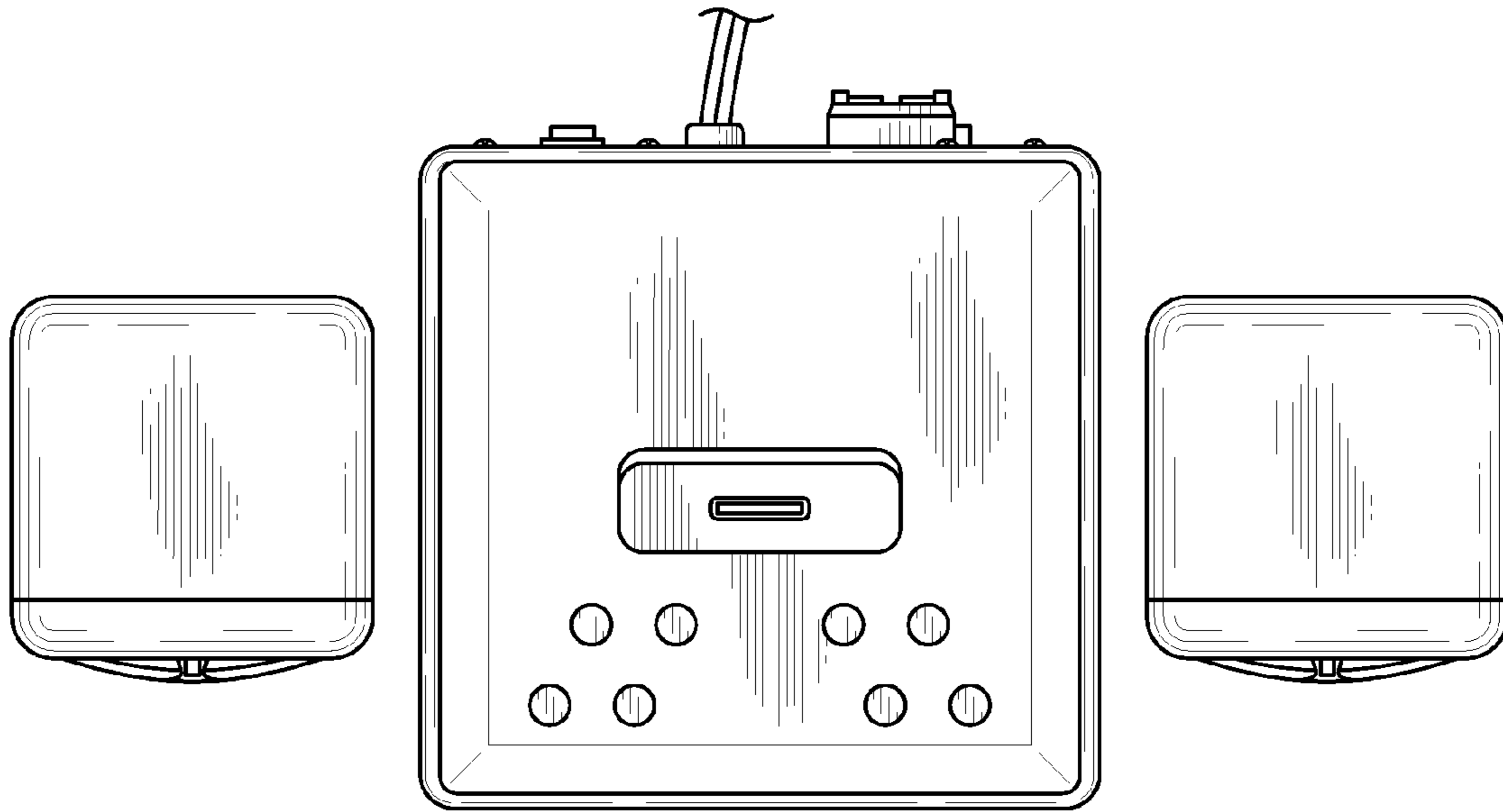


FIG. 6

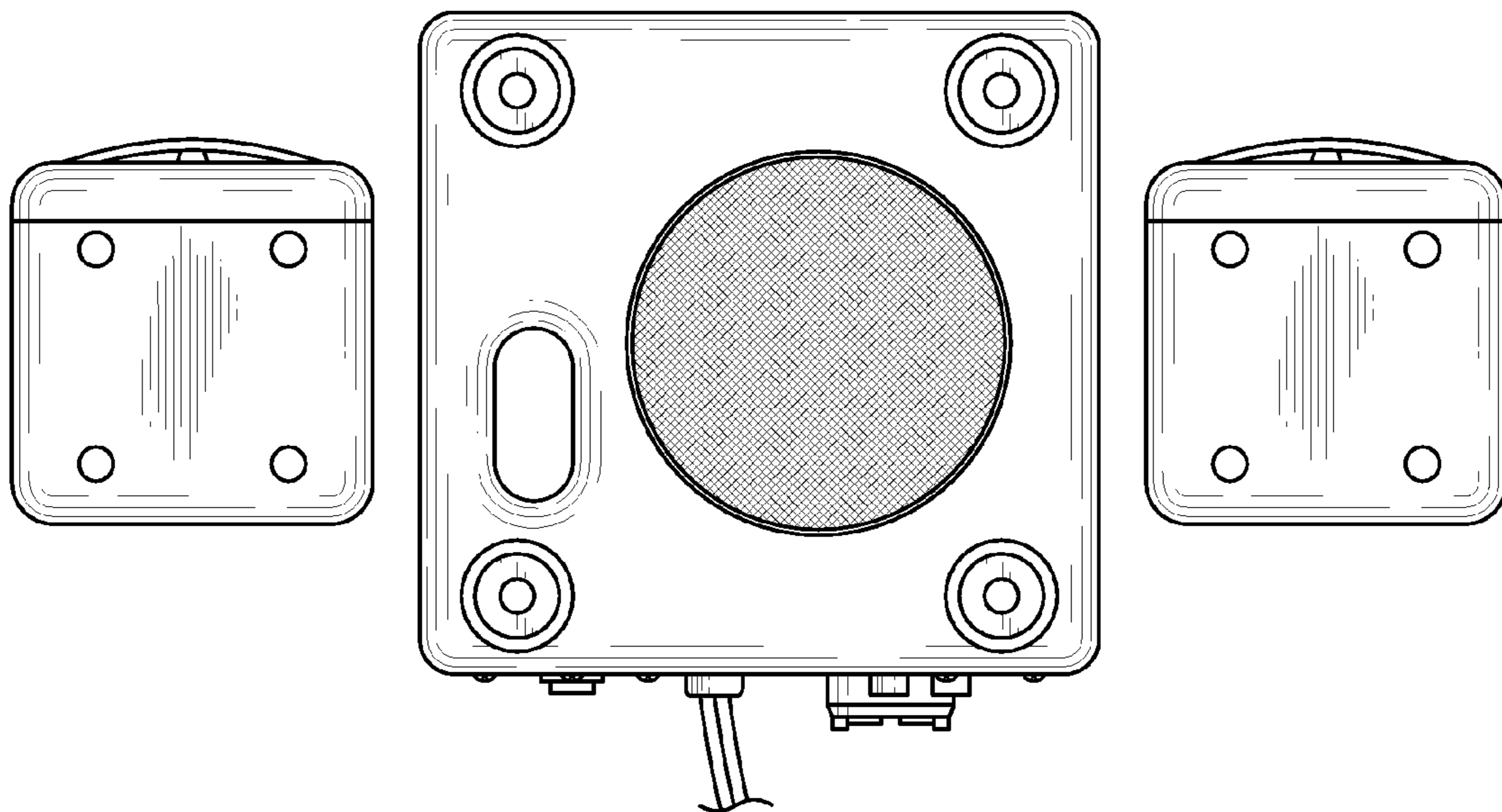


FIG. 7