



US00D574361S

(12) **United States Design Patent**  
**Sasaki**

(10) **Patent No.:** **US D574,361 S**

(45) **Date of Patent:** **\*\* Aug. 5, 2008**

(54) **EARPHONE**

(75) Inventor: **Yuzuko Sasaki**, Tokyo (JP)

(73) Assignee: **Victor Company of Japan, Limited**,  
Yokohama-shi (JP)

(\*\*) Term: **14 Years**

(21) Appl. No.: **29/290,498**

(22) Filed: **Dec. 11, 2007**

(30) **Foreign Application Priority Data**

Jun. 12, 2007 (JP) ..... D2007-015566

(51) **LOC (8) Cl.** ..... **14-01**

(52) **U.S. Cl.** ..... **D14/205; D14/223**

(58) **Field of Classification Search** ..... D14/205–206,  
D14/223; 181/129–130, 135; 379/330, 381,  
379/430, 433.01, 420.04, 420.03, 420.02;  
D24/174, 175; 381/330, 370, 375–379, 380,  
381/381, 385, 387; 128/864, 865; 455/151,  
455/151.1, 153.1, 353–355

See application file for complete search history.

(56) **References Cited**

**U.S. PATENT DOCUMENTS**

2,719,523 A \* 10/1955 Von Gierke ..... 128/864  
2,787,670 A \* 4/1957 Rowland ..... 381/324  
3,047,089 A \* 7/1962 Zwislocki ..... 181/135  
4,969,534 A \* 11/1990 Kolpe et al. .... 181/130  
D532,770 S \* 11/2006 Engstrom et al. .... D14/205

D535,642 S \* 1/2007 Garcia et al. .... D14/206  
D539,268 S \* 3/2007 Suzuki ..... D14/206  
D542,782 S \* 5/2007 Pena Angarita ..... D14/223  
D549,222 S \* 8/2007 Huang ..... D14/223  
D554,756 S \* 11/2007 Sjursen et al. .... D24/174  
D558,735 S \* 1/2008 Carr et al. .... D14/206  
D564,495 S \* 3/2008 Sasaki ..... D14/205  
D566,099 S \* 4/2008 Komiyama ..... D14/206

\* cited by examiner

*Primary Examiner*—Paula A Greene

(74) *Attorney, Agent, or Firm*—Nath Law Group; Jerald L. Meyer; Derek Richmond

(57) **CLAIM**

The ornamental design for an earphone, as shown and described.

**DESCRIPTION**

FIG. 1 is a perspective view of an earphone;

FIG. 2 is a front view thereof;

FIG. 3 is a rear view thereof;

FIG. 4 is a top plan view thereof;

FIG. 5 is a bottom plan view thereof;

FIG. 6 is a right side view thereof; and,

FIG. 7 is a left side view thereof.

The broken lines showing on the drawing disclosure are for illustrative purposes only and form no part of the claimed design.

**1 Claim, 7 Drawing Sheets**

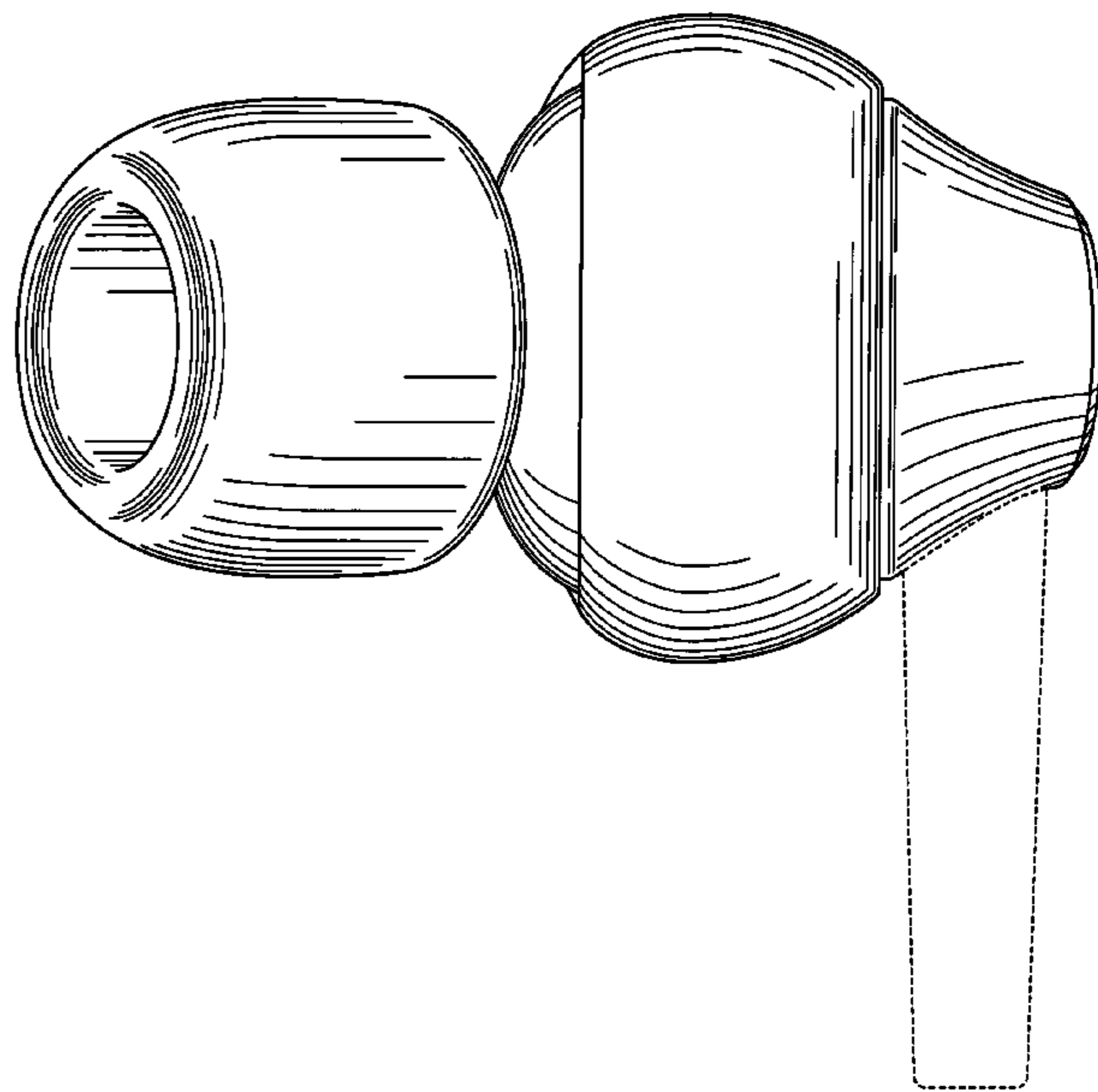
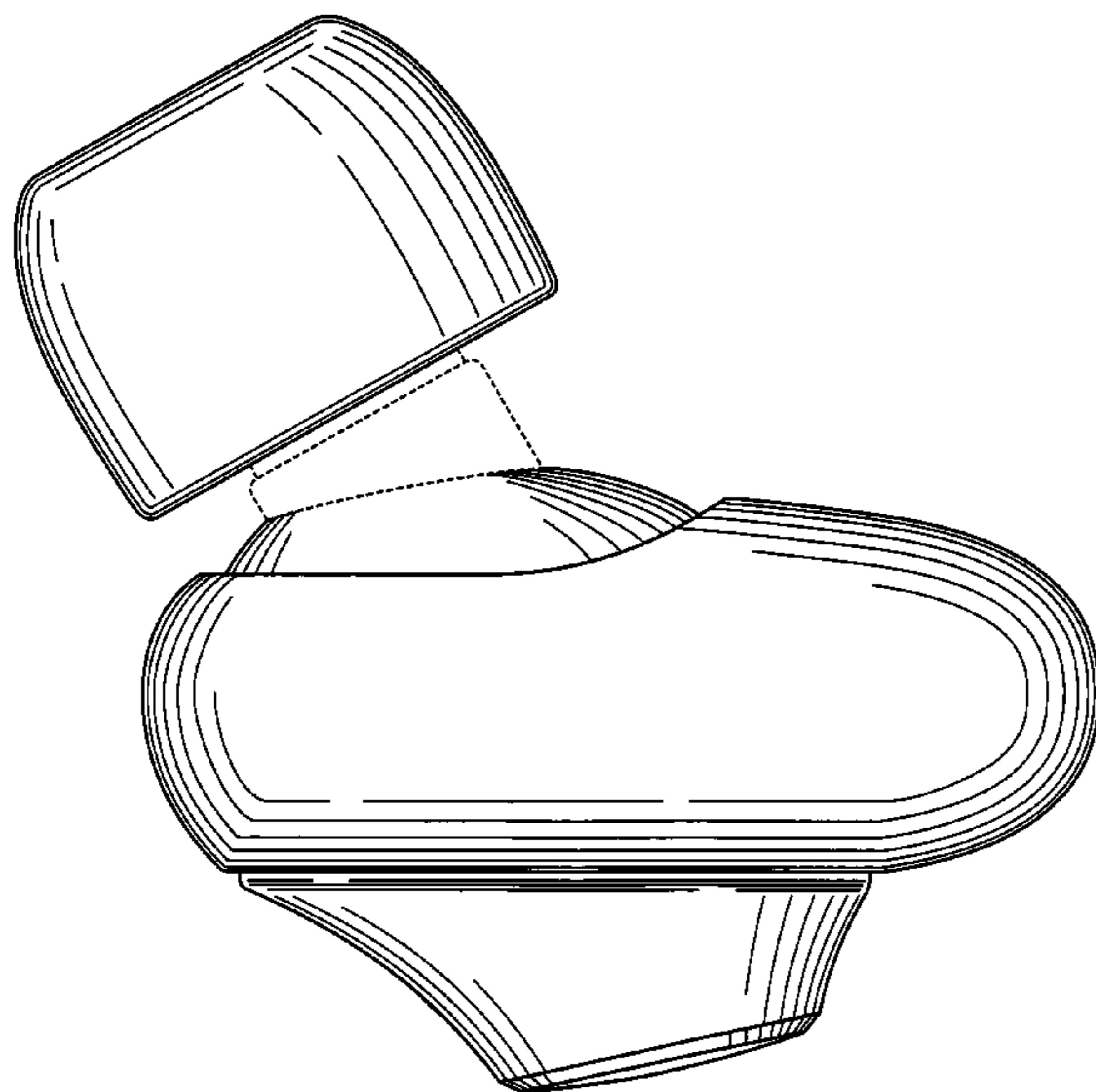


Fig.1

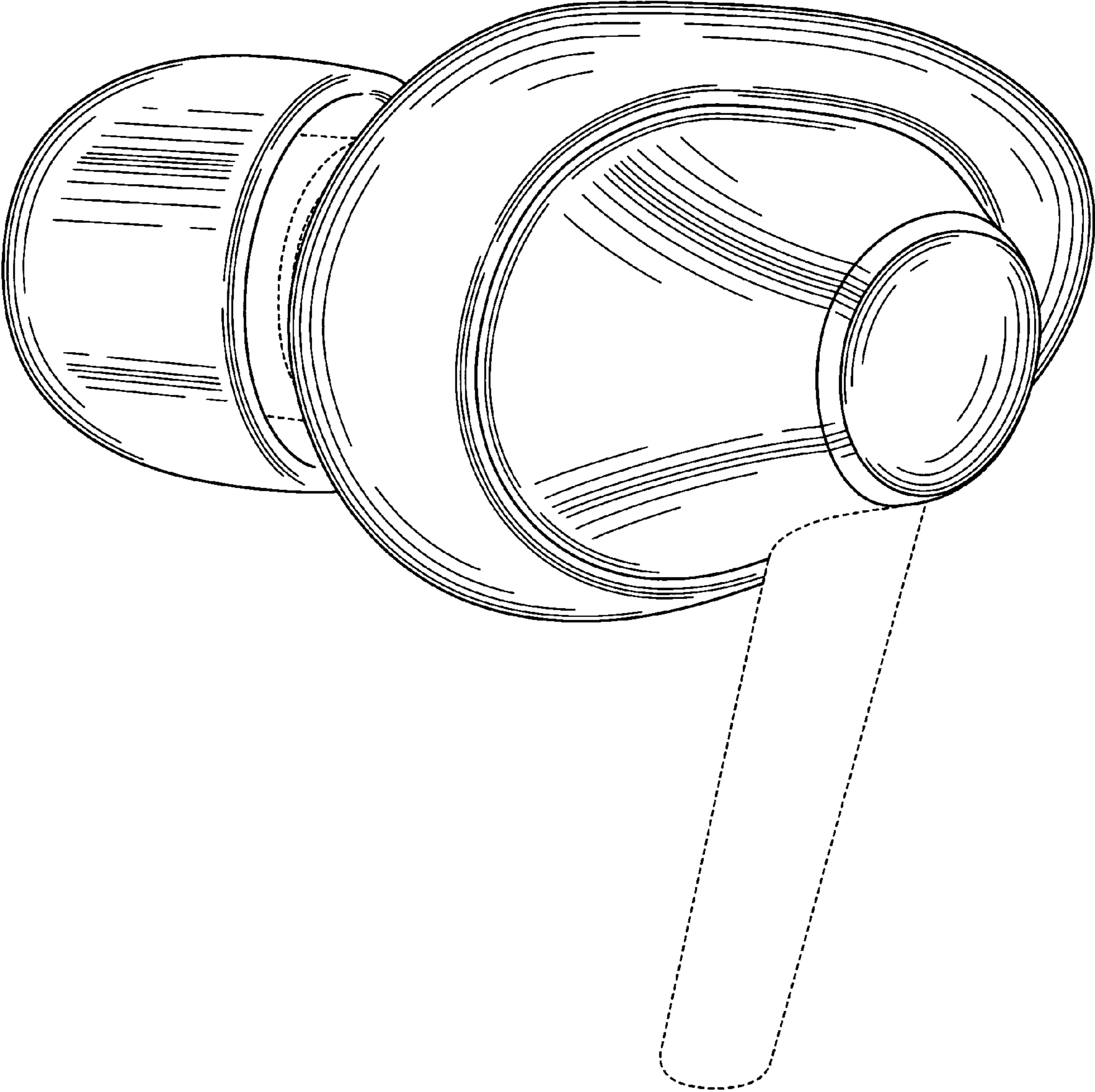


Fig.2

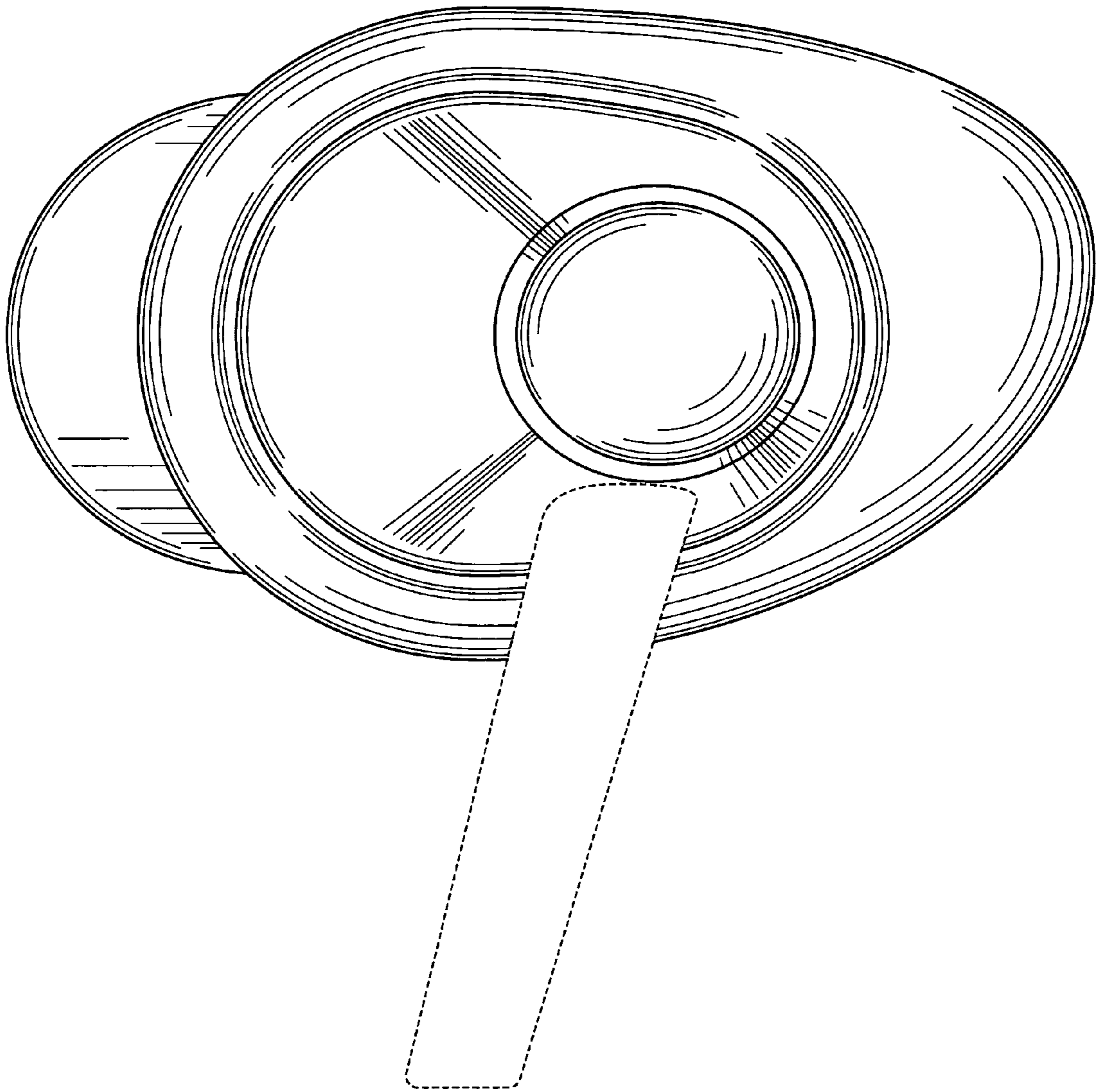


Fig.3

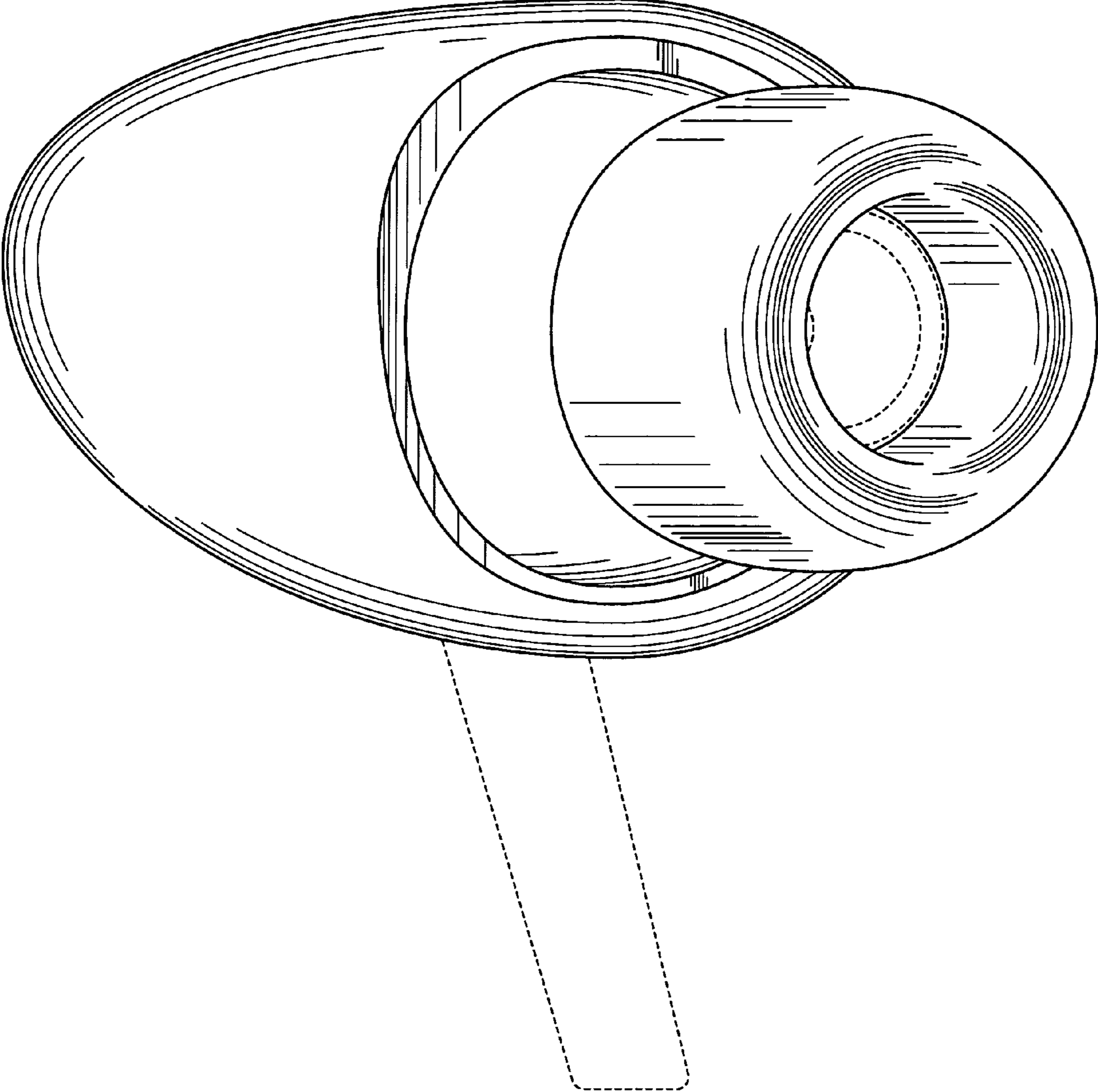


Fig.4

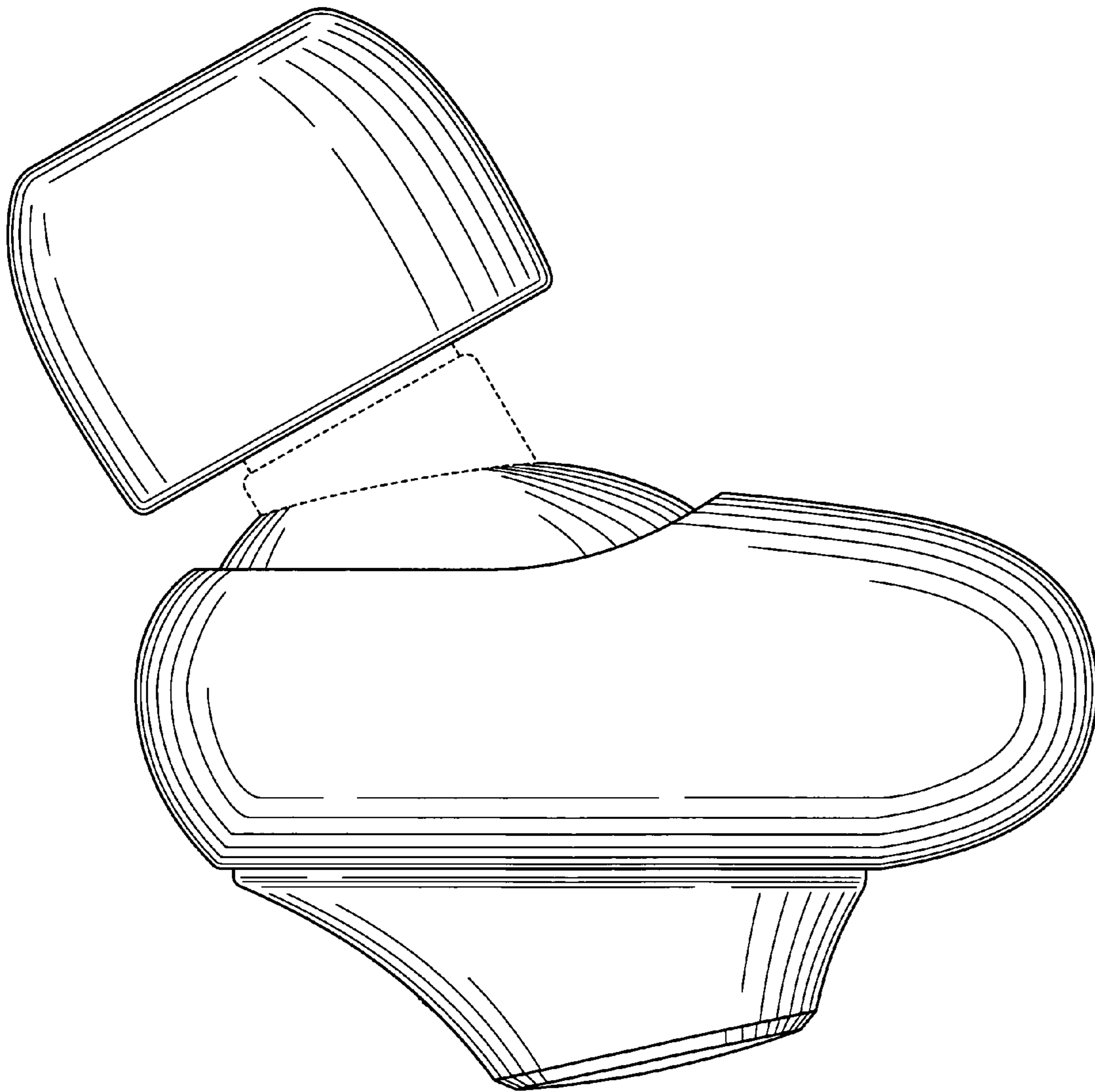


Fig.5

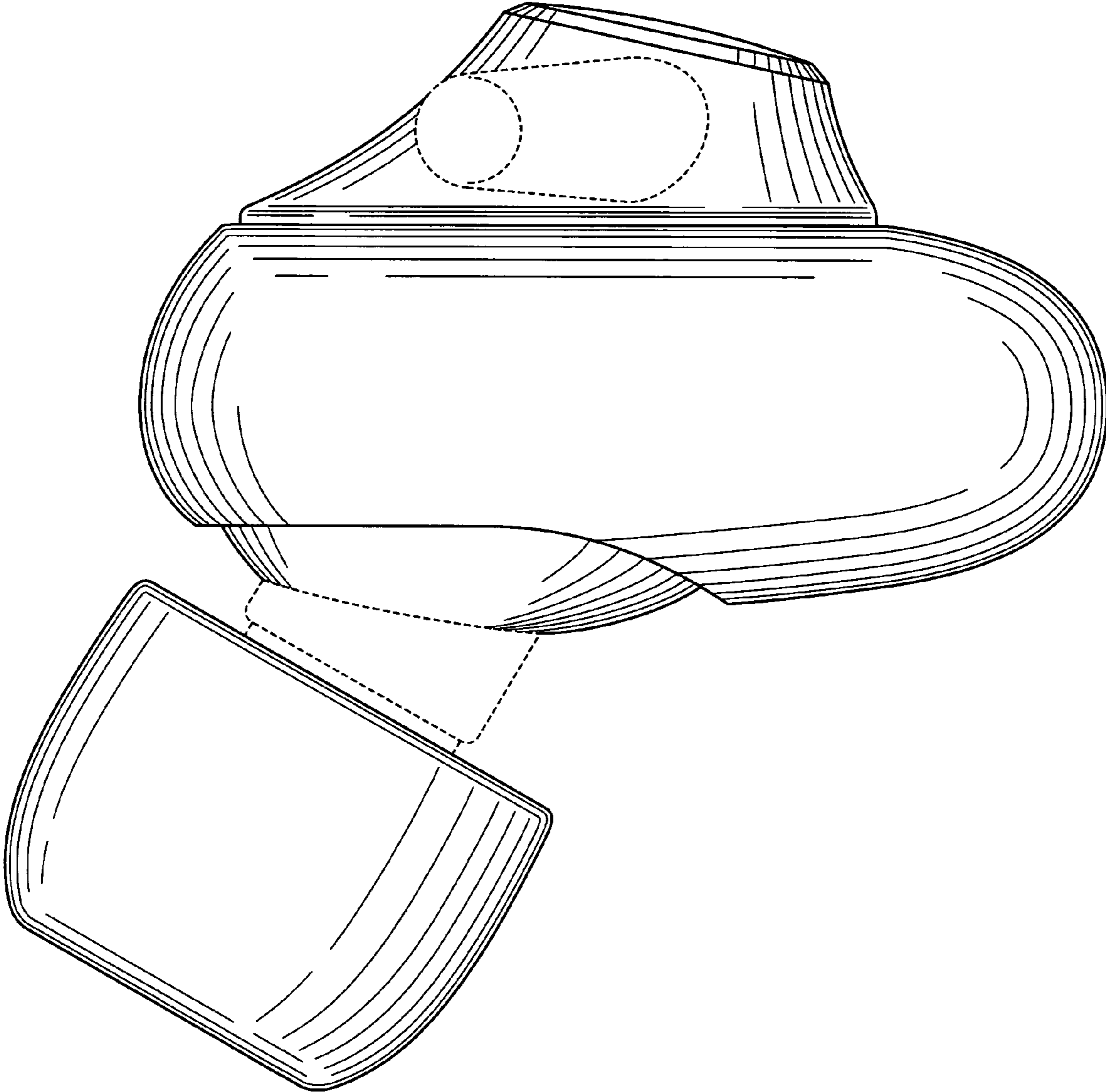


Fig.6

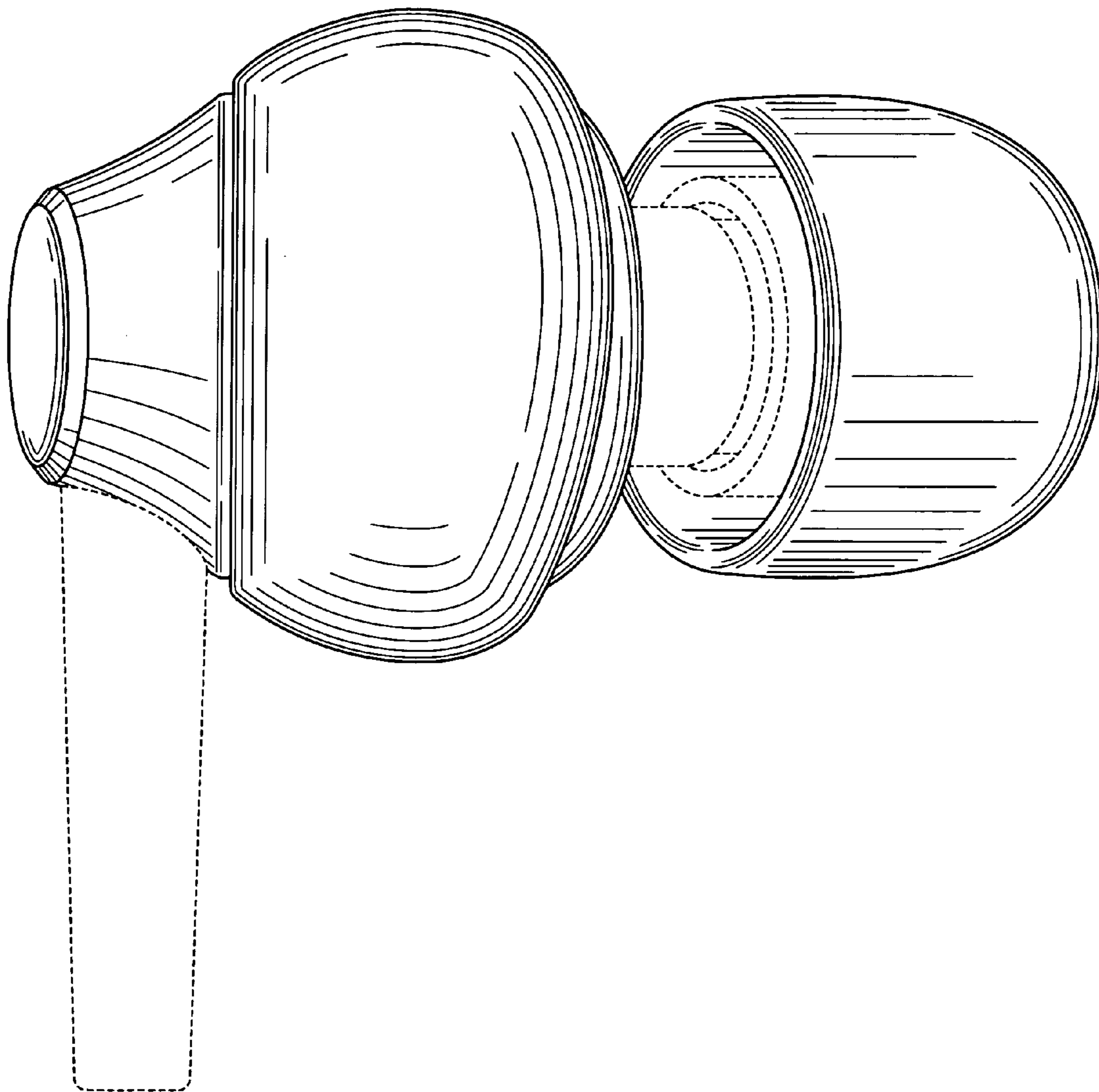


Fig. 7

