



US00D574360S

(12) **United States Design Patent**
Matsuoka

(10) **Patent No.:** **US D574,360 S**
(45) **Date of Patent:** **** Aug. 5, 2008**

(54) **COMBINED DISC PLAYER AND AMPLIFIER**

(75) Inventor: **Shoichiro Matsuoka**, Tokyo (JP)

(73) Assignee: **Sony Corporation**, Tokyo (JP)

(**) Term: **14 Years**

(21) Appl. No.: **29/274,076**

(22) Filed: **Mar. 27, 2007**

(30) **Foreign Application Priority Data**

Sep. 29, 2006 (JP) D2006-026501

(51) **LOC (8) Cl.** **14-01**

(52) **U.S. Cl.** **D14/168; D14/156**

(58) **Field of Classification Search** D14/135-136,
D14/156-157, 167-168, 257-258, 198, 188,
D14/217, 445; 360/99.02, 99.07; 369/75.11,
369/75.21, 77.21, 77.11; 720/612, 619, 647,
720/655; 455/344, 347-351

See application file for complete search history.

(56) **References Cited**

U.S. PATENT DOCUMENTS

5,852,594 A * 12/1998 Kaise et al. D14/156
D511,758 S * 11/2005 Allen D14/136
D519,978 S * 5/2006 Sogabe D14/156
D526,634 S * 8/2006 Inoue D14/136
D526,979 S * 8/2006 Lim D14/136
D530,690 S * 10/2006 Takahashi D14/168
D531,971 S * 11/2006 Shiraki et al. D14/136

FOREIGN PATENT DOCUMENTS

JP D1187139 S 1/2003
JP D1168603 S 3/2003

JP D1177420 S 6/2003
JP D1184660 S 9/2003
JP D1186659 S 10/2003
JP D1187140 S 10/2003
JP D1168602 S 3/2004
JP D1200120 S 3/2004
JP D1210860 S 7/2004
JP D1212600 S 7/2004
JP D1214998 S 8/2004
JP D1248927 S 8/2005

* cited by examiner

Primary Examiner—Nanda Bondade

(74) *Attorney, Agent, or Firm*—Rader, Fishman & Grauer, PLLC

(57) **CLAIM**

The ornamental design for a combined disc player and amplifier, as shown and described.

DESCRIPTION

FIG. 1 is a perspective view of a combined disc player and amplifier showing my new design;

FIG. 2 is a front elevational view thereof;

FIG. 3 is a rear elevational view thereof;

FIG. 4 is a left side elevational view thereof;

FIG. 5 is a right side elevational view thereof;

FIG. 6 is a top plan view thereof; and,

FIG. 7 is a bottom plan view thereof.

Portions of FIGS. 1-7 that are shown as broken lines are for illustrative purpose only and form no part of the claimed design.

1 Claim, 7 Drawing Sheets

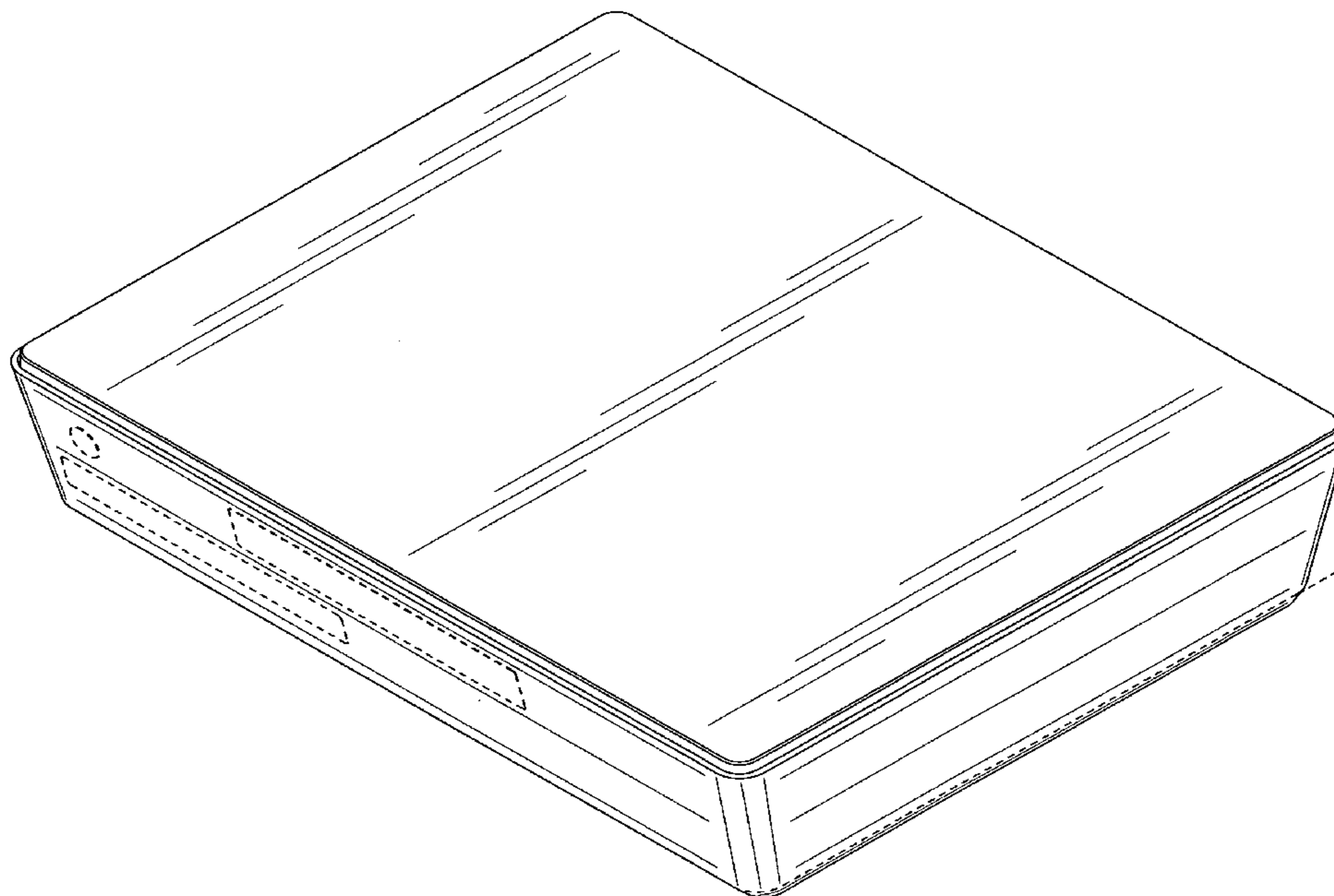


Fig.1

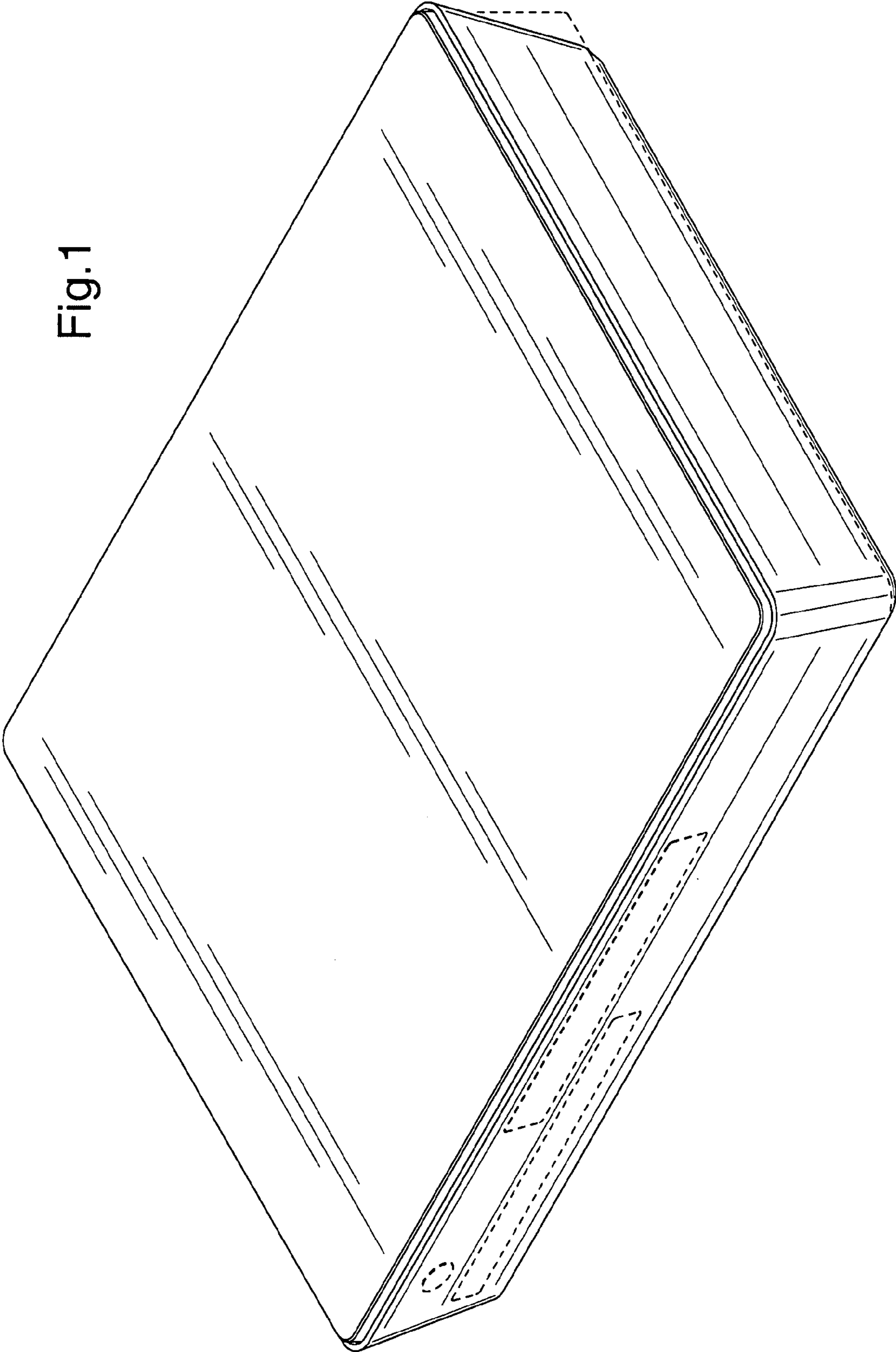


Fig.2

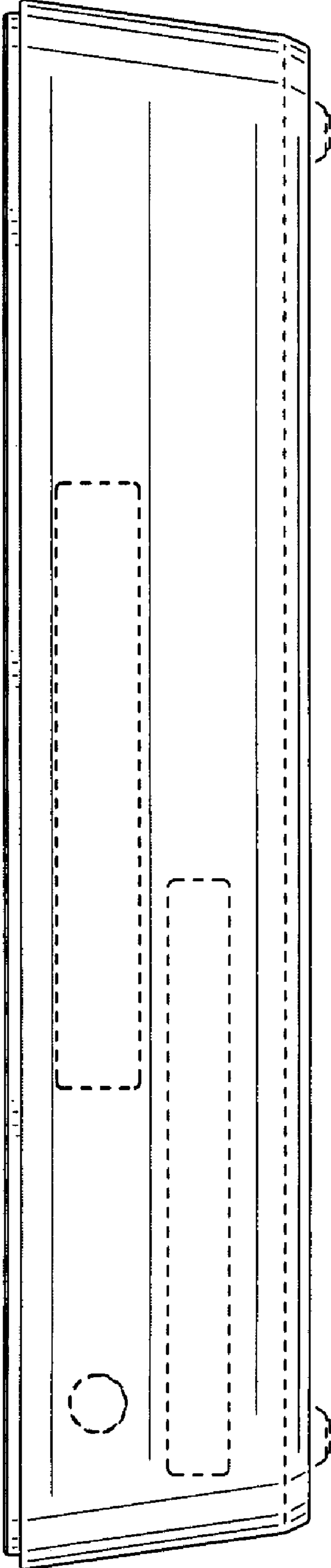


Fig. 3

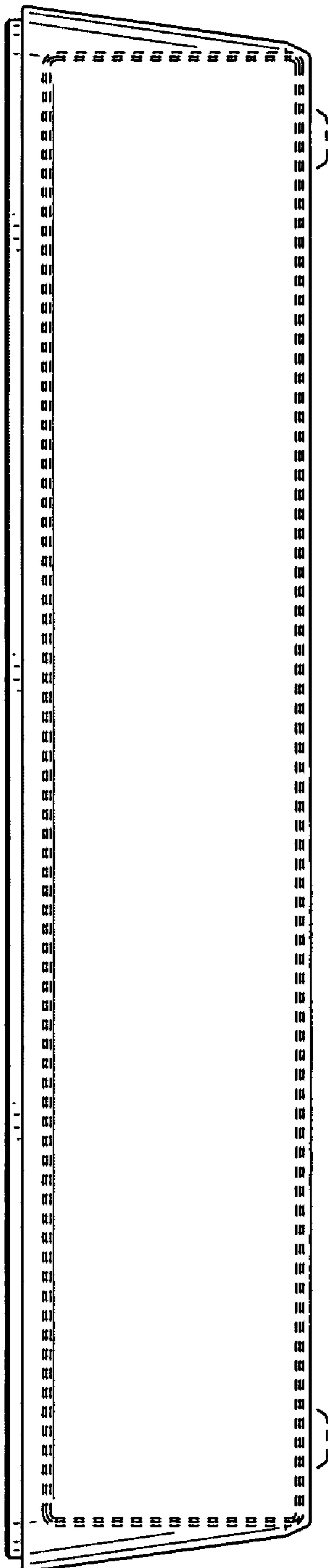


Fig. 4

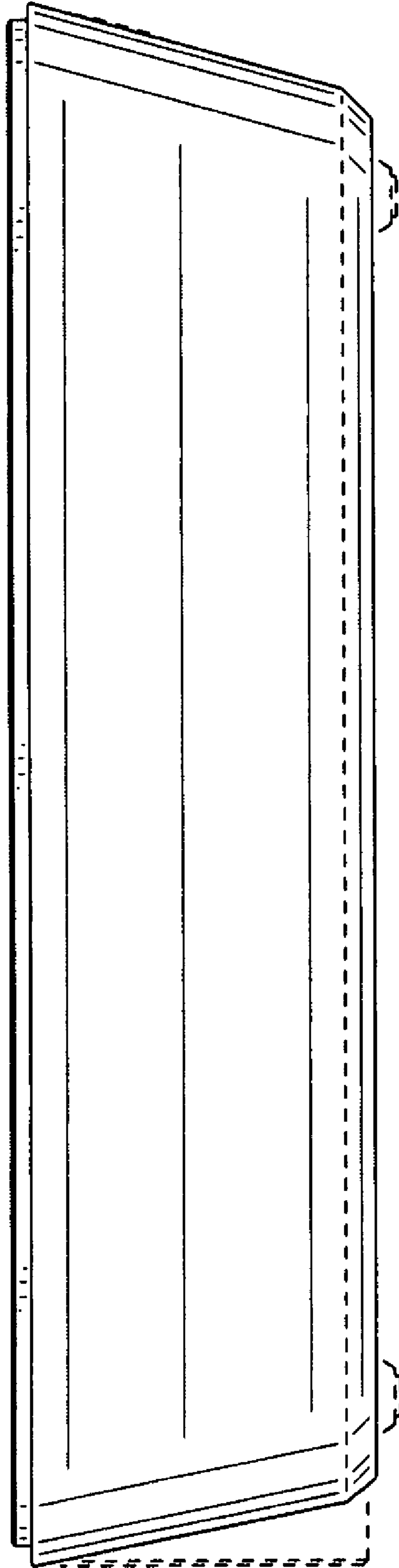


Fig.5

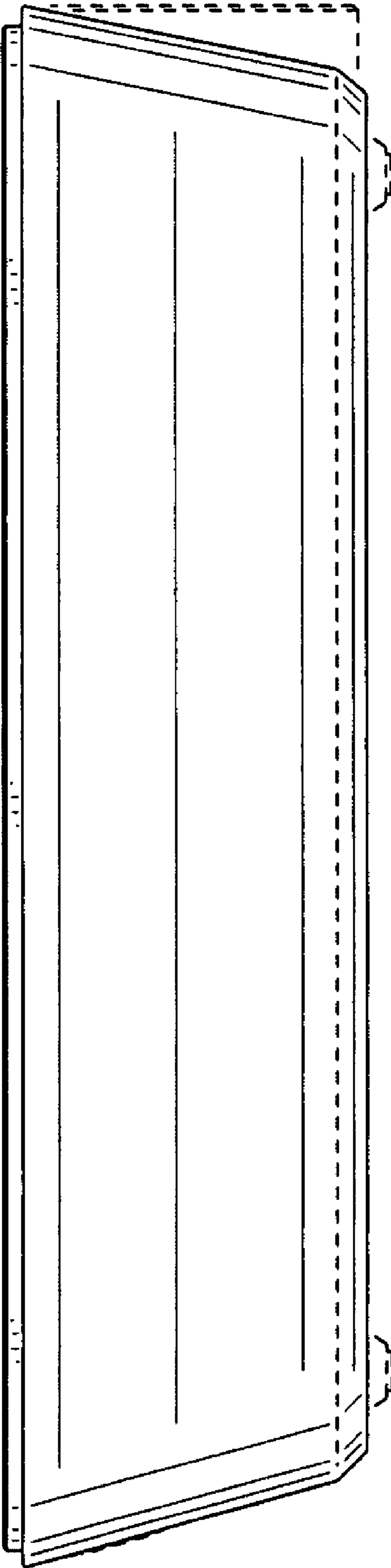


Fig.6

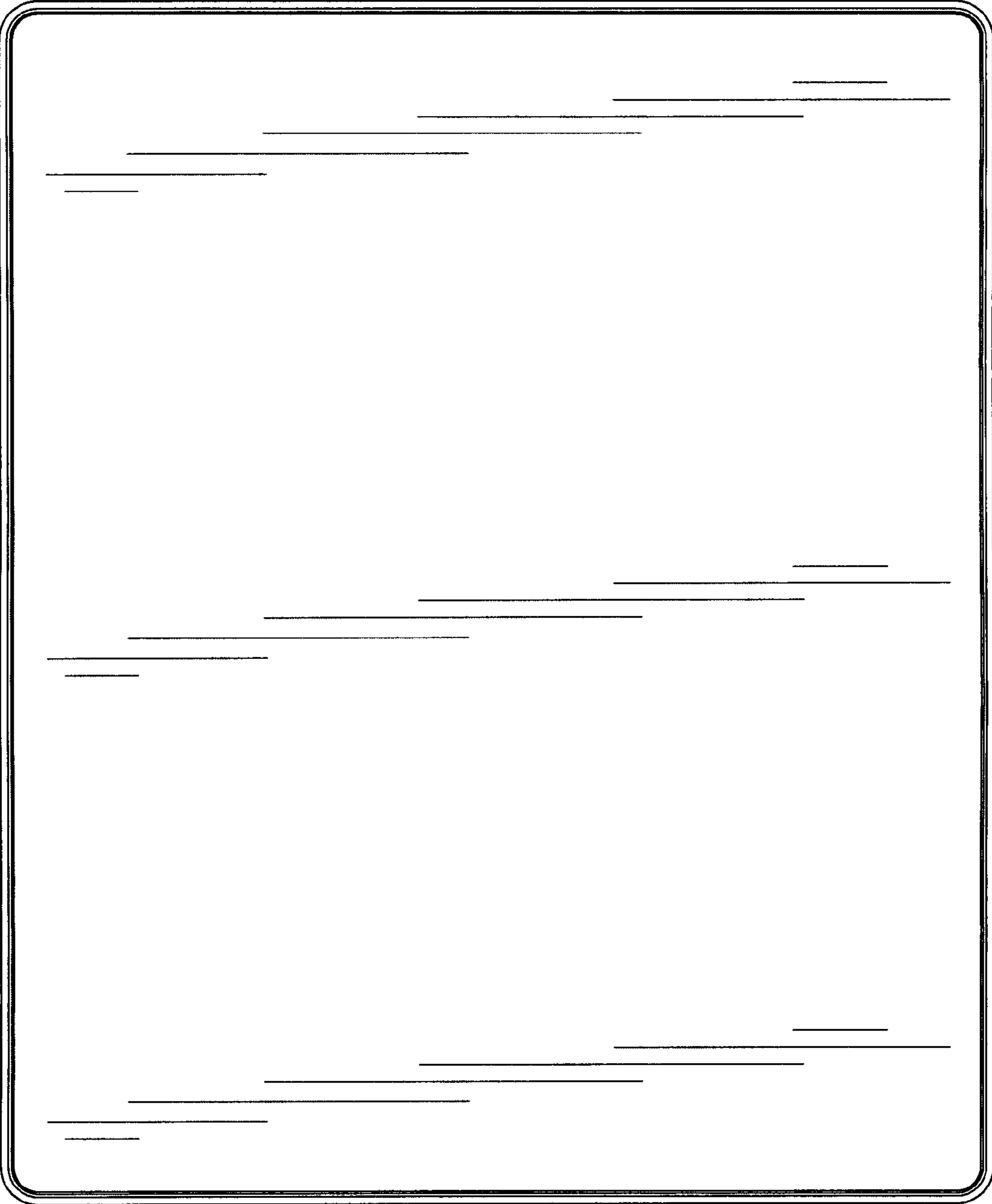


Fig.7

