



US00D574358S

(12) **United States Design Patent**  
**Bart**

(10) **Patent No.:** **US D574,358 S**  
(45) **Date of Patent:** **\*\* Aug. 5, 2008**

(54) **RECORDER ACCESSORY WITH A  
REMOVABLE MICROPHONE**

(75) Inventor: **Gary F. Bart**, Weston, FL (US)

(73) Assignee: **Xtreme Accessories, LLC**, Weston, FL  
(US)

(\*\*) Term: **14 Years**

(21) Appl. No.: **29/275,345**

(22) Filed: **Dec. 21, 2006**

(51) **LOC (8) Cl.** ..... **14-01**

(52) **U.S. Cl.** ..... **D14/167; D14/155**

(58) **Field of Classification Search** ..... D14/167,  
D14/154, 168, 188, 496, 156, 218, 160, 161,  
D14/162, 163, 164, 191, 192, 288, 155; D16/208;  
D26/38; D10/104; 455/350, 351

See application file for complete search history.

(56) **References Cited**

U.S. PATENT DOCUMENTS

D354,280 S *	1/1995	Fenton	.....	D14/242
D508,691 S *	8/2005	Meyer et al.	.....	D14/228
D523,003 S *	6/2006	Meyer et al.	.....	D14/228
D537,807 S *	3/2007	Griffin et al.	.....	D14/155
D544,462 S *	6/2007	Patel	.....	D14/155
D545,809 S *	7/2007	Griffin	.....	D14/155
D550,196 S *	9/2007	Griffin et al.	.....	D14/155
D563,380 S *	3/2008	Bart	.....	D14/155

\* cited by examiner

*Primary Examiner*—Cathron Brooks

*Assistant Examiner*—Austin Murphy

(74) *Attorney, Agent, or Firm*—Husch Blackwell Sanders  
LLP

(57) **CLAIM**

The ornamental design for a recorder accessory with a removable microphone, as shown and described.

**DESCRIPTION**

FIG. 1 is a right perspective view of a first embodiment of my recorder accessory with a removable microphone attached to a portable media player showing my new design;

FIG. 2 is a front elevational view of the recorder accessory with a removable microphone of FIG. 1 attached to a portable media player;

FIG. 3 is a rear elevational view of the recorder accessory with a removable microphone of FIG. 1 attached to a portable media player;

FIG. 4 is a left elevational view of the recorder accessory with a removable microphone of FIG. 1 attached to a portable media player;

FIG. 5 is a right elevational view of the recorder accessory with a removable microphone of FIG. 1 attached to a portable media player;

FIG. 6 is a top plan view of the recorder accessory with a removable microphone of FIG. 1 attached to a portable media player;

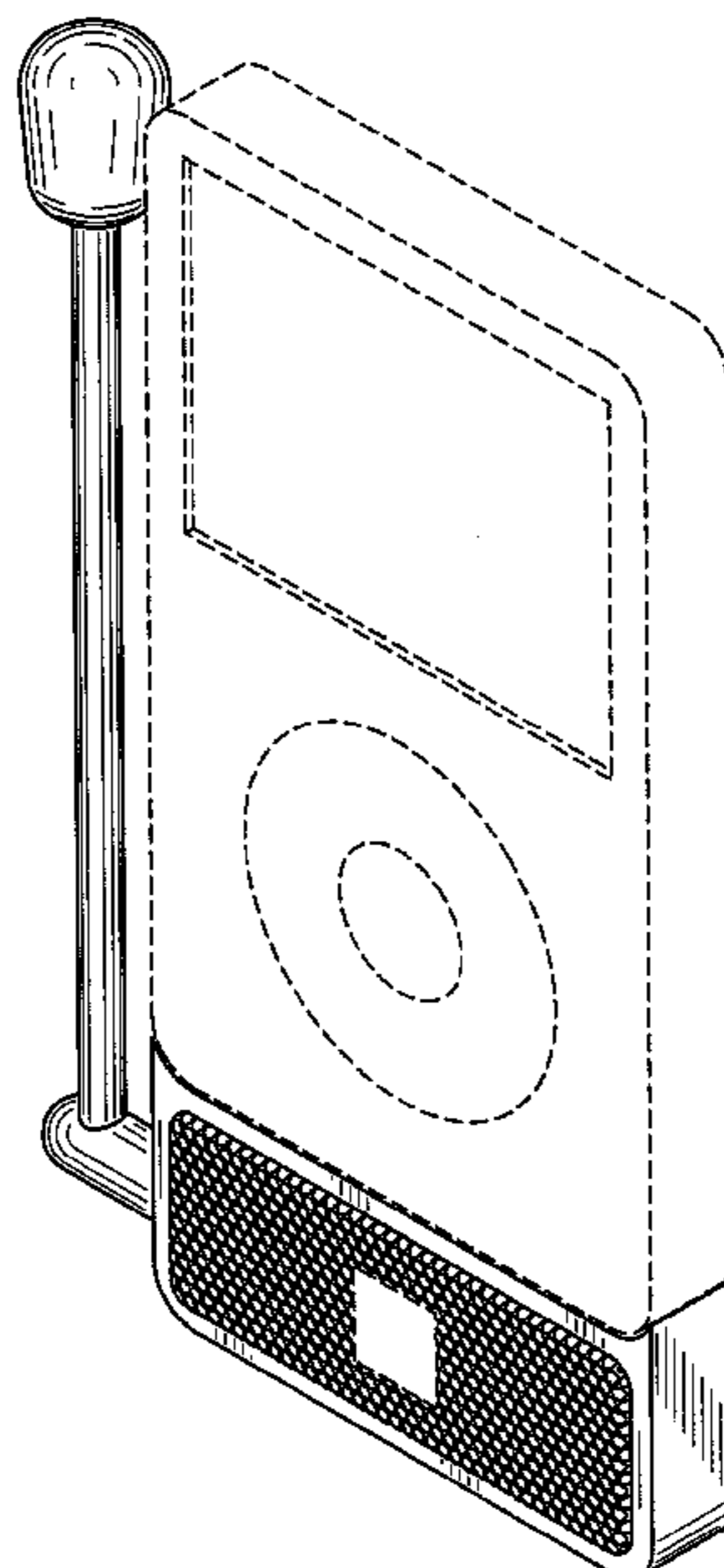
FIG. 7 is a bottom plan view of the recorder accessory with a removable microphone of FIG. 1 attached to a portable media player;

FIG. 8 is a left perspective view of the recorder accessory with a removable microphone of FIG. 1; and,

FIG. 9 is a left perspective view of the recorder accessory with a removable microphone without a switch.

The broken lines shown in the drawings form no part of the claimed design.

**1 Claim, 6 Drawing Sheets**



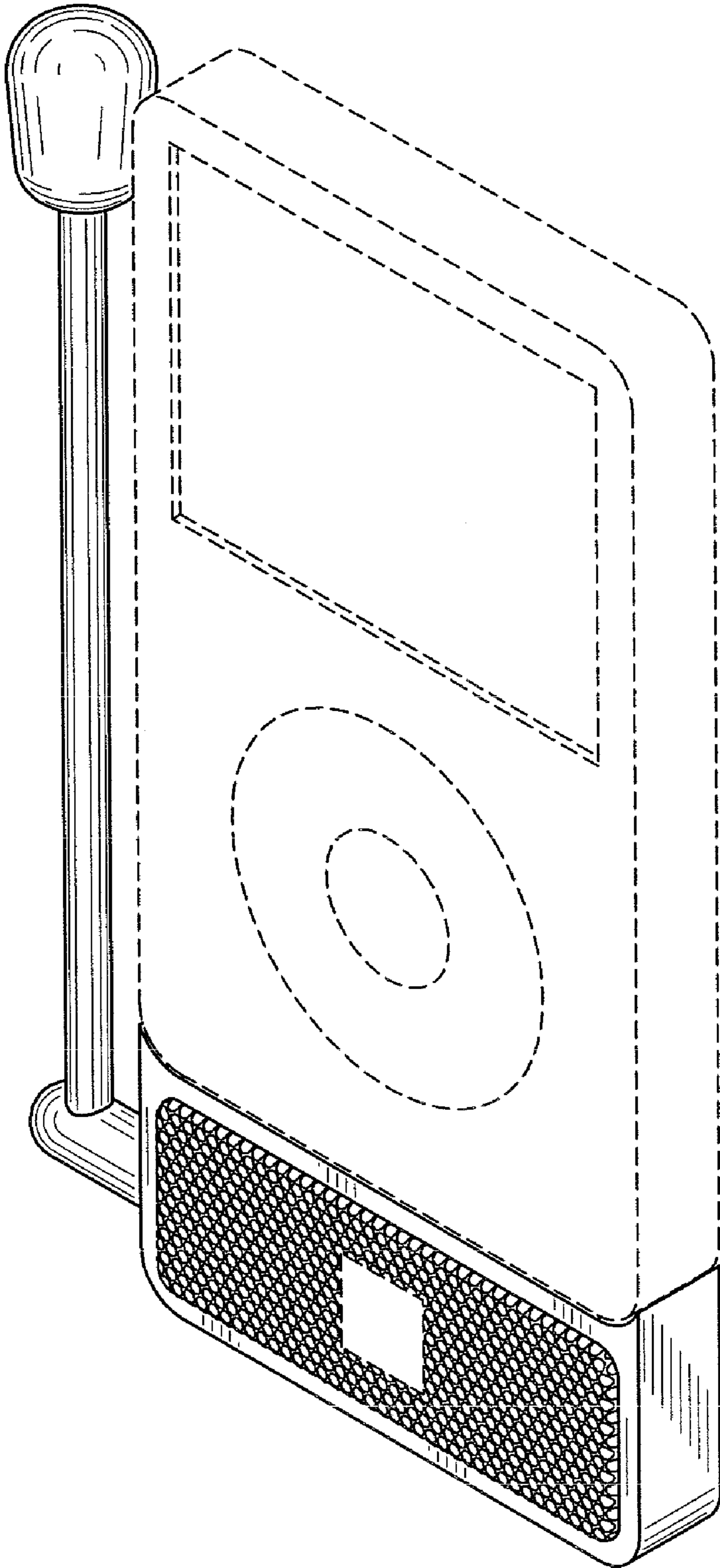


FIG. 1

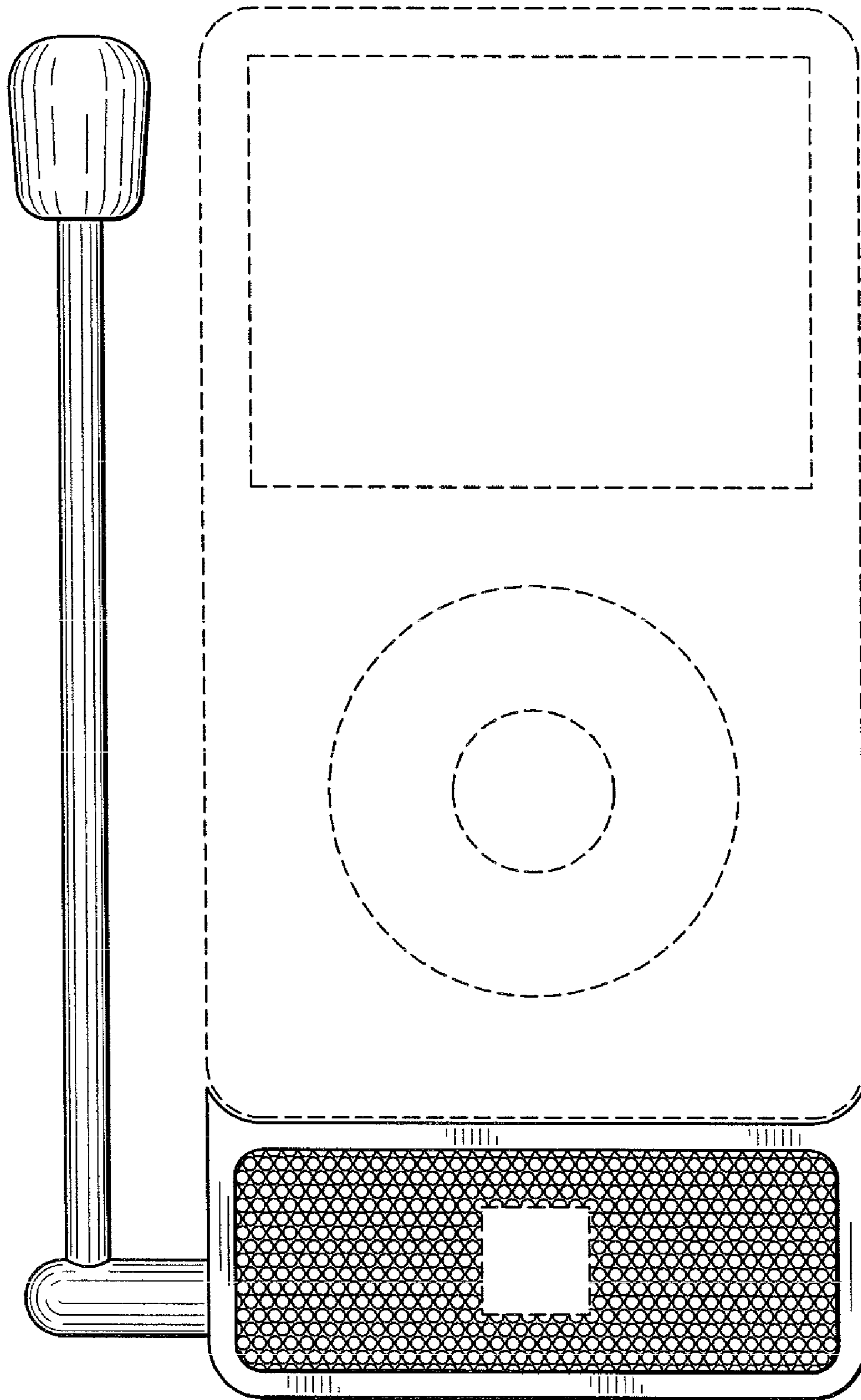


FIG. 2

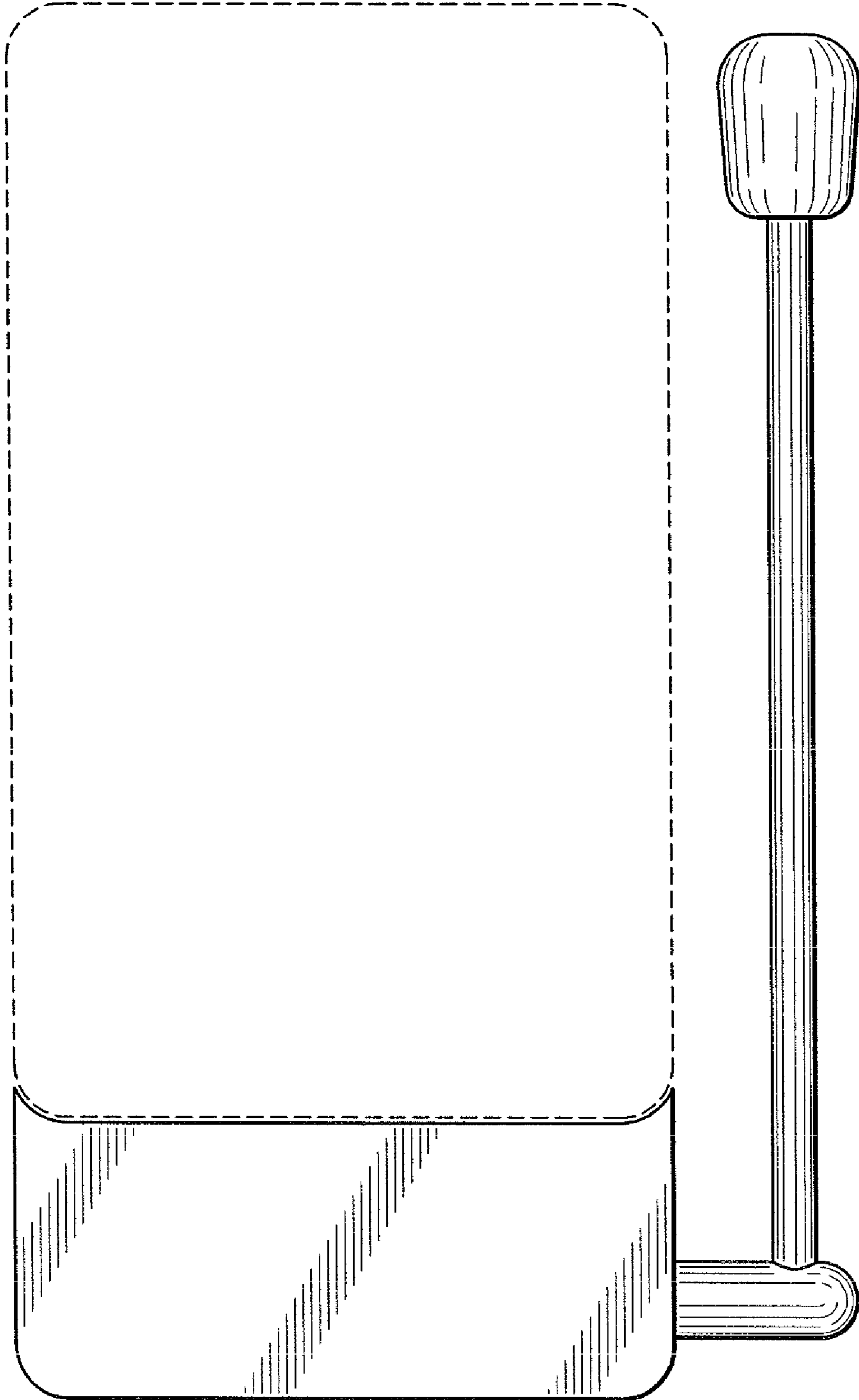


FIG. 3

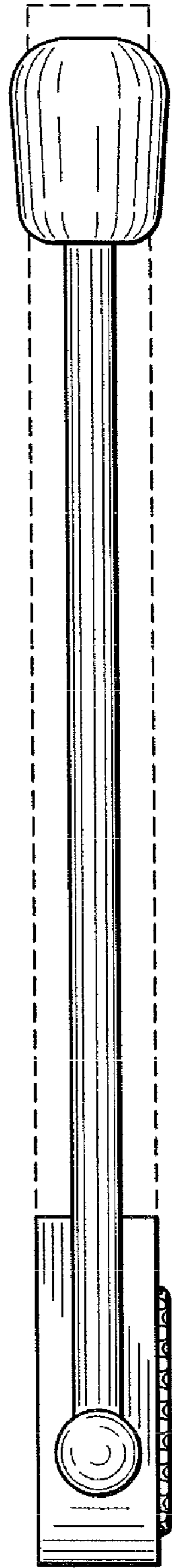


FIG. 4

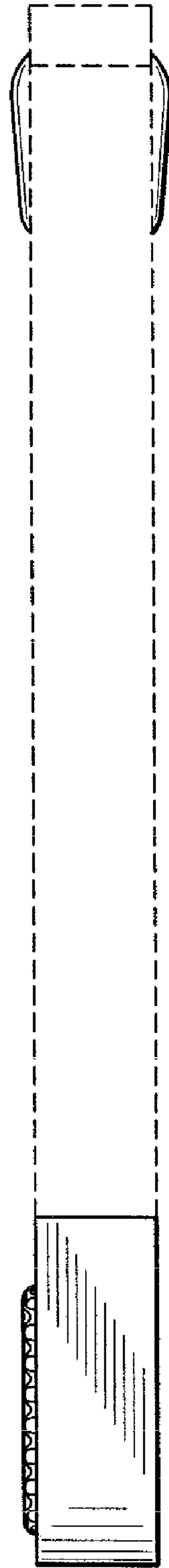


FIG. 5

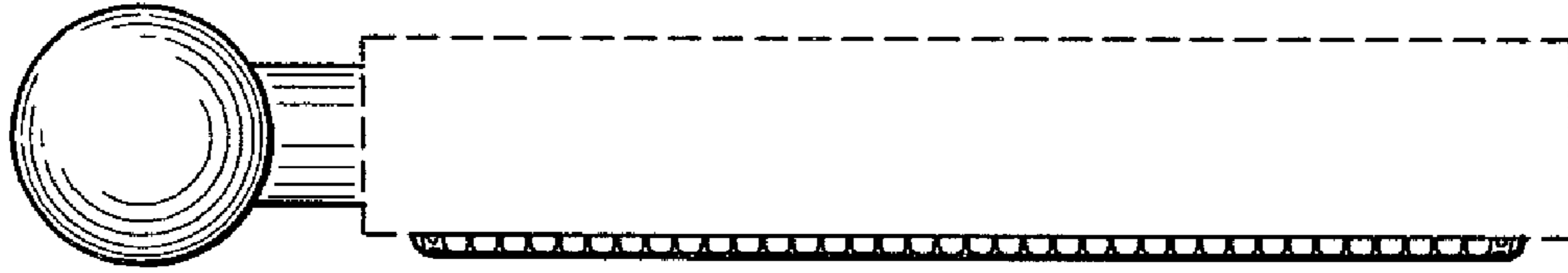


FIG. 6

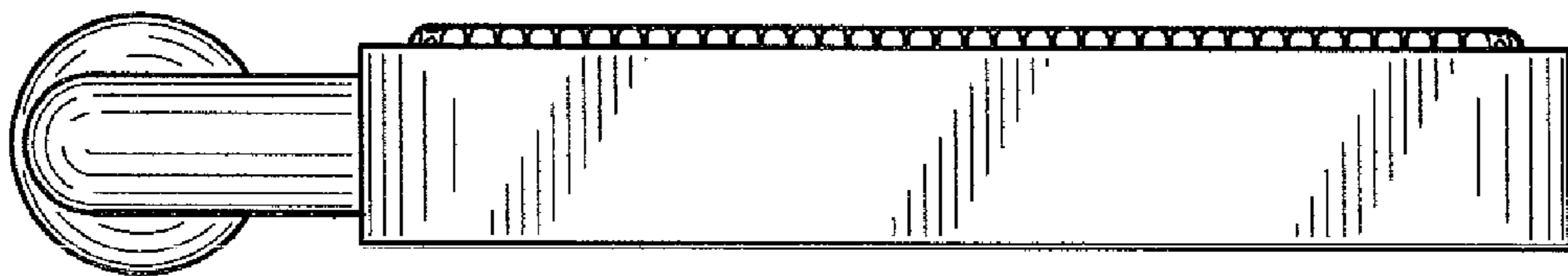


FIG. 7

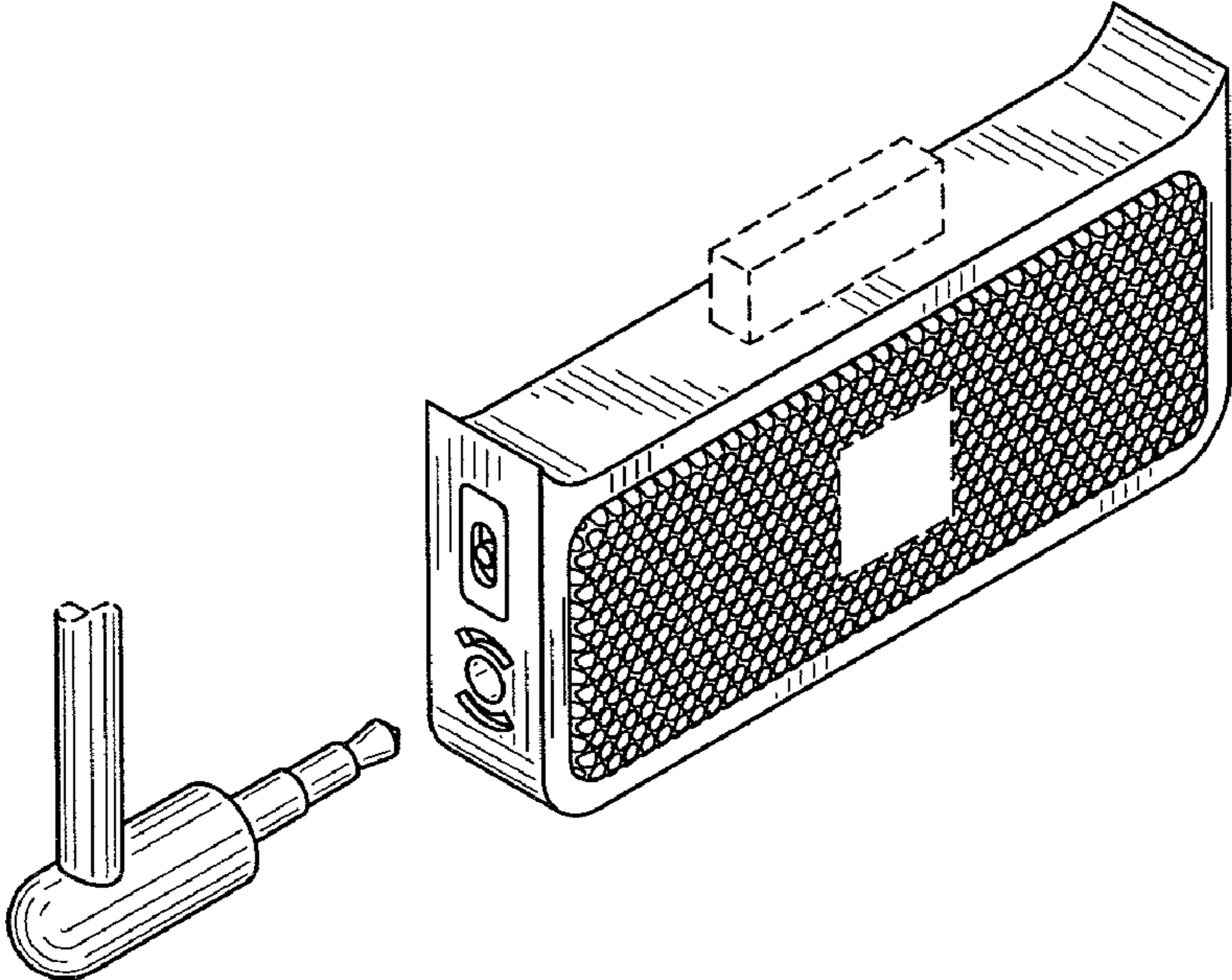


FIG. 8

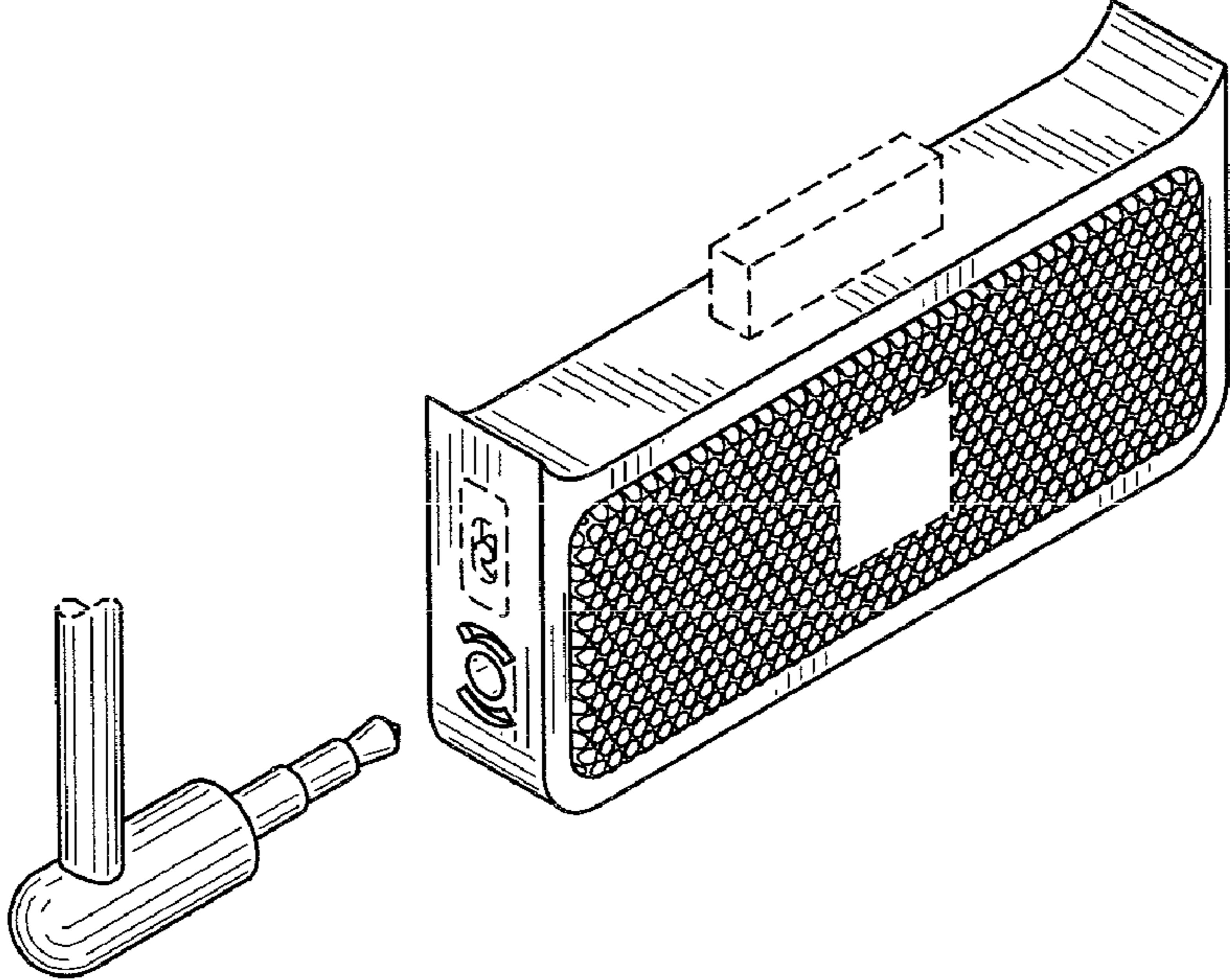


FIG. 9