



US00D574356S

(12) **United States Design Patent**
Wada

(10) **Patent No.:** **US D574,356 S**

(45) **Date of Patent:** **** Aug. 5, 2008**

(54) **SPEAKERPHONE**

(75) Inventor: **Isao Wada**, Hamamatsu (JP)

(73) Assignee: **Yamaha Corporation**, Shizuoka (JP)

(**) Term: **14 Years**

(21) Appl. No.: **29/271,382**

(22) Filed: **Jan. 18, 2007**

(30) **Foreign Application Priority Data**

Aug. 30, 2006 (JP) 2006-022974

(51) **LOC (8) Cl.** **14-03**

(52) **U.S. Cl.** **D14/149**

(58) **Field of Classification Search** D14/130,
D14/137, 140, 140.1, 140.8, 141.1, 141.3,
D14/142, 149-151, 158-159, 168, 171-172,
D14/188, 211, 214, 225-226, 240, 243, 251,
D14/253, 299, 434; 379/387.01, 388.02,
379/420.02, 447, 453; 381/16; D13/107-108;
191/12.2 R

See application file for complete search history.

(56) **References Cited**

U.S. PATENT DOCUMENTS

D364,868 S * 12/1995 Kao D14/151
D381,663 S * 7/1997 Friis D14/141.3
D394,858 S * 6/1998 Wordinger et al. D14/188

D438,186 S * 2/2001 Rodgers et al. D14/142
D462,952 S * 9/2002 Anderson et al. D14/299
D472,542 S * 4/2003 Oikawa D14/172
D478,891 S * 8/2003 Hisatsune D14/211
D498,224 S * 11/2004 Breton et al. D14/149
D520,494 S * 5/2006 Aiba et al. D14/214
D538,259 S * 3/2007 Okamura et al. D14/172
D538,260 S * 3/2007 Wada D14/188
7,227,945 B2 * 6/2007 Keppel et al. 379/453
D552,073 S * 10/2007 Marquez D14/159

* cited by examiner

Primary Examiner—Ian Simmons

Assistant Examiner—Carla Wright

(74) *Attorney, Agent, or Firm*—Sughrue Mion, PLLC

(57) **CLAIM**

The ornamental design for a speakerphone, as shown.

DESCRIPTION

FIG. 1 is a perspective view of the top, front and left side of a speakerphone showing my new design;

FIG. 2 is a front elevational view thereof;

FIG. 3 is a rear elevational view thereof;

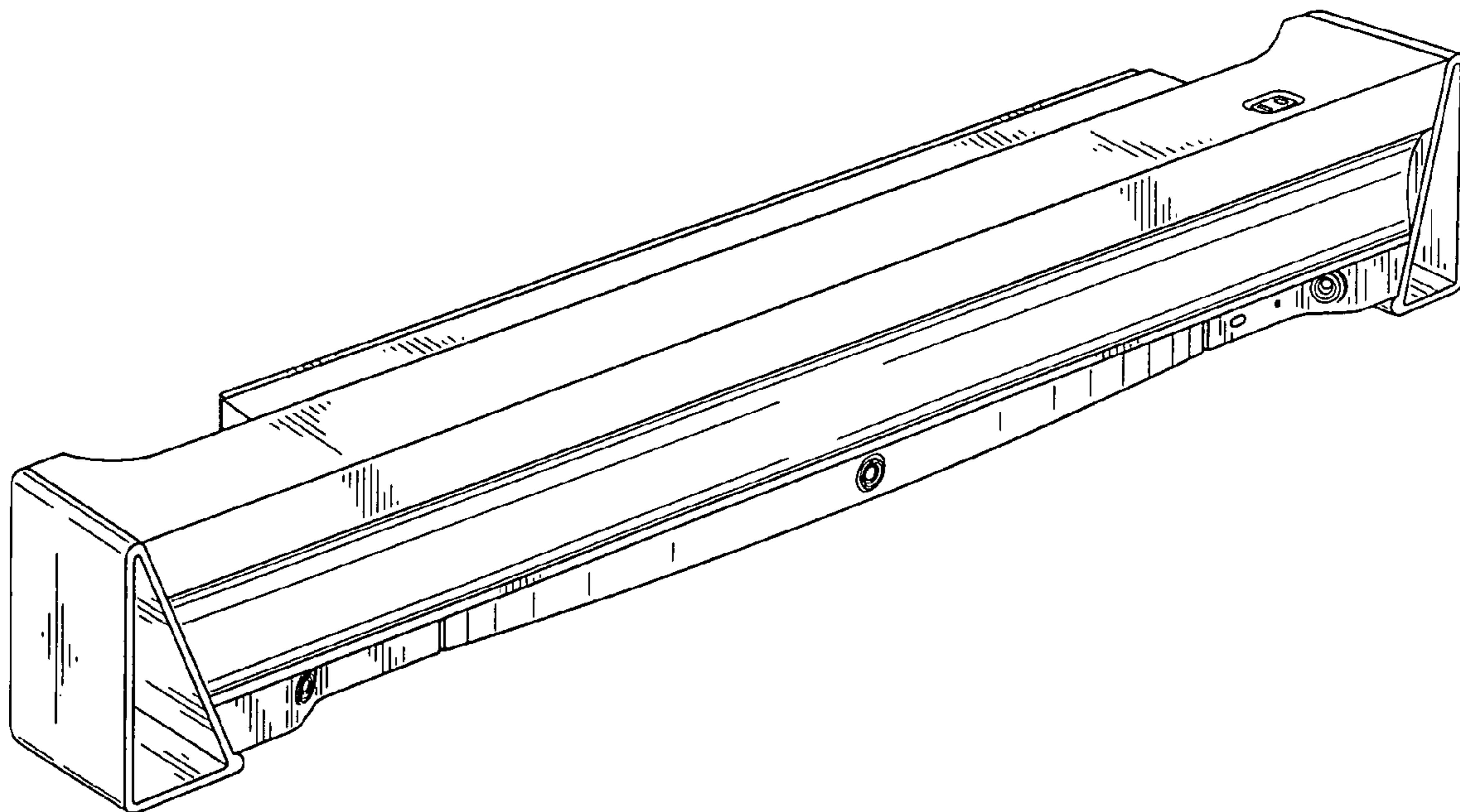
FIG. 4 is a top plan view thereof;

FIG. 5 is a bottom plan view thereof;

FIG. 6 is a left side elevational view thereof; and,

FIG. 7 is a right side elevational view thereof.

1 Claim, 4 Drawing Sheets



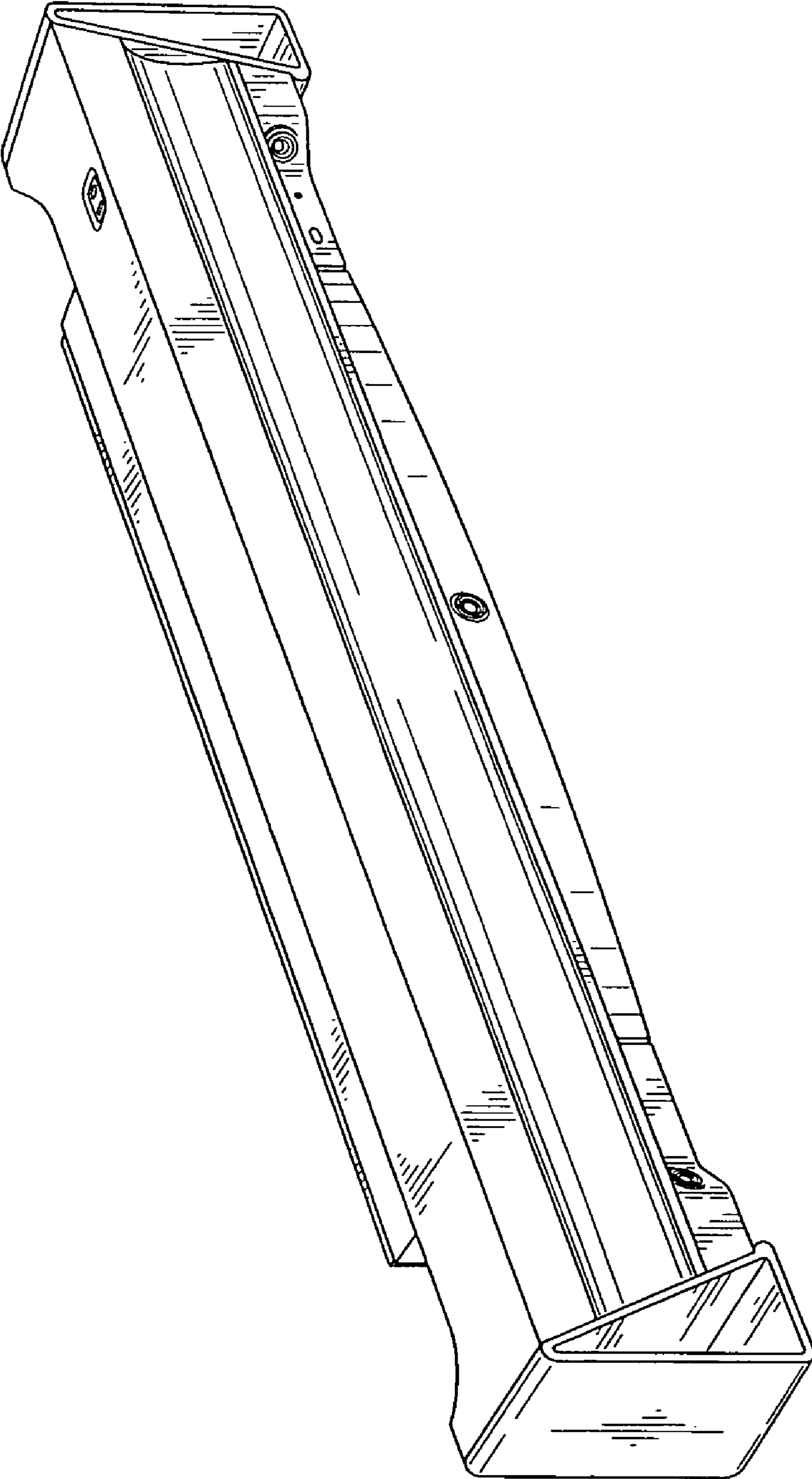


FIG. 1

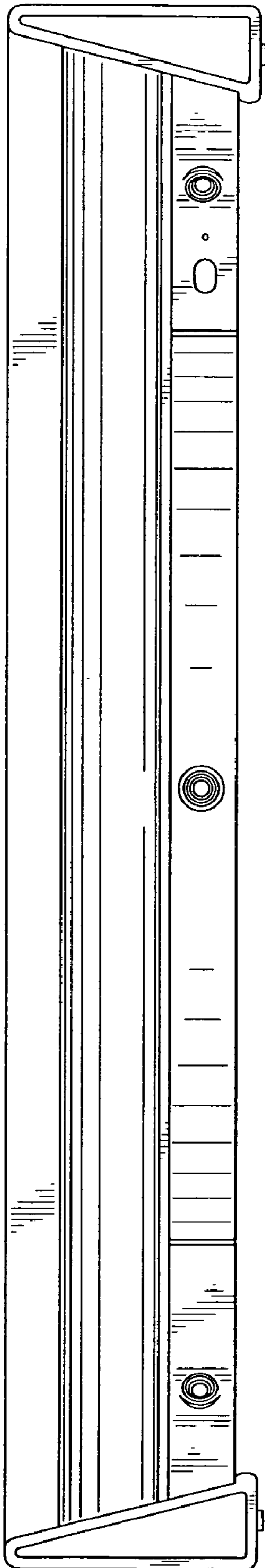


FIG. 2

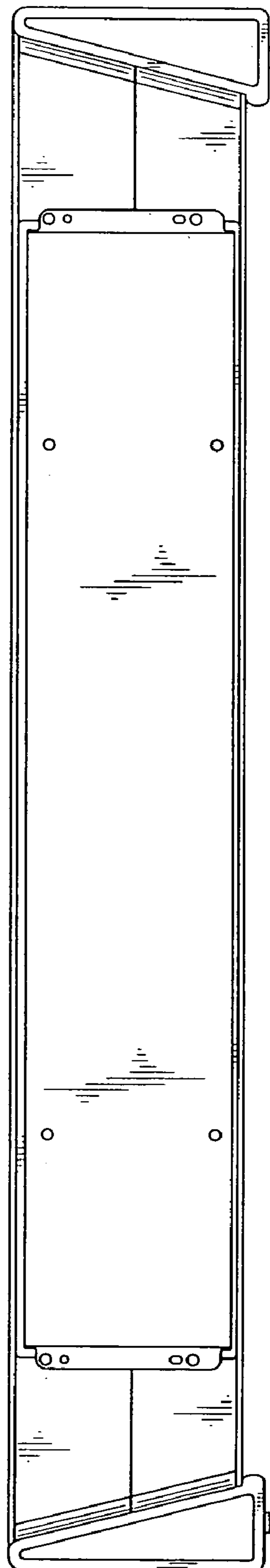


FIG. 3

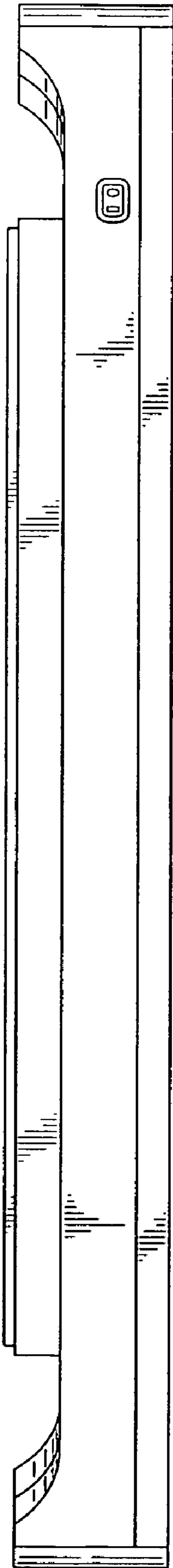


FIG. 4

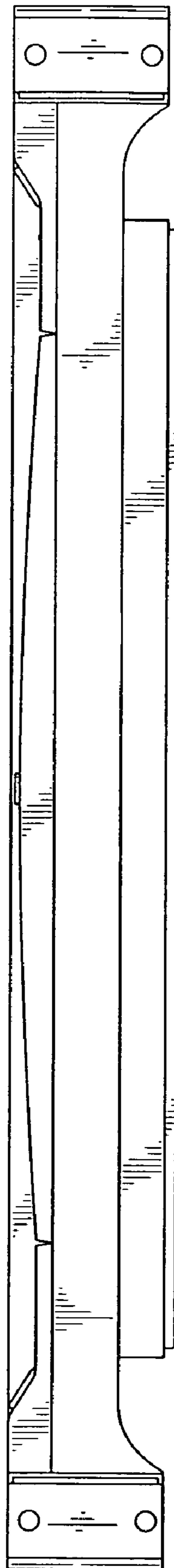


FIG. 5

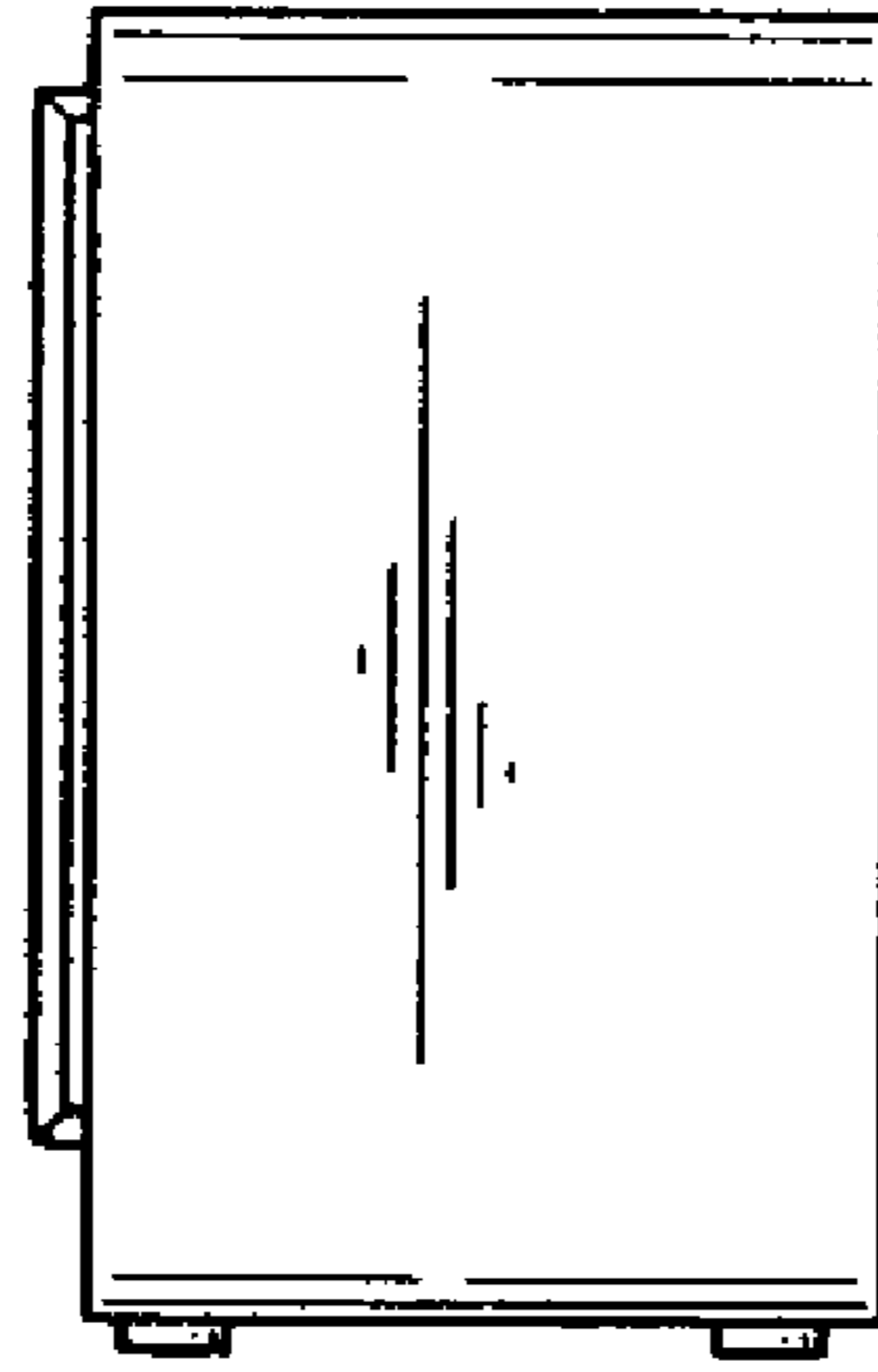


FIG. 6

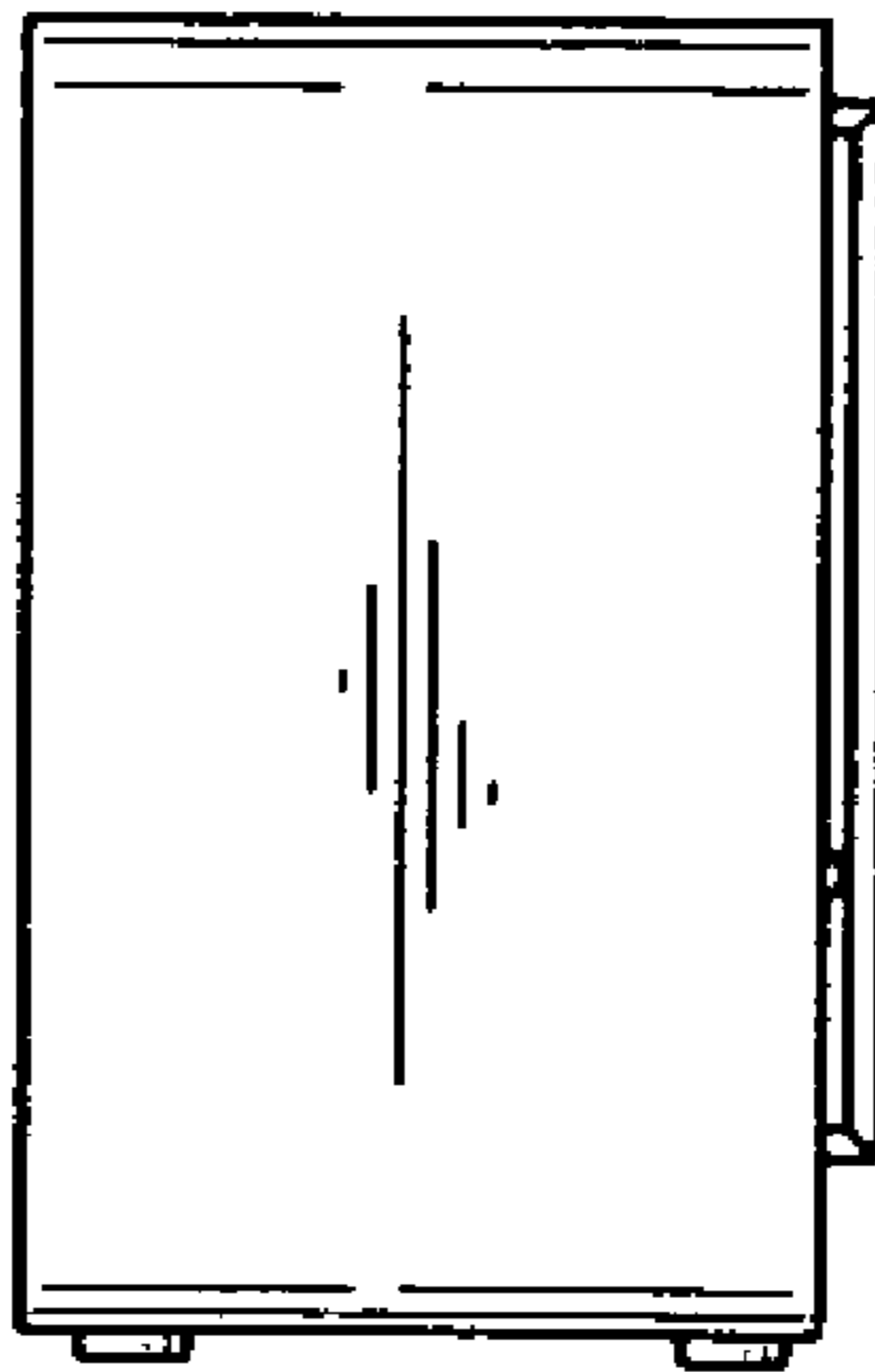


FIG. 7