



US00D574351S

(12) **United States Design Patent**
Kim et al.

(10) **Patent No.:** **US D574,351 S**
(45) **Date of Patent:** **** Aug. 5, 2008**

(54) **MOBILE PHONE**

(75) Inventors: **Min-Soo Kim**, Seoul (KR); **Yoon-Young Cho**, Seoul (KR); **Chang-Soo Lee**, Incheon (KR)

(73) Assignee: **Samsung Electronics Co., Ltd.**, Suwon-Si (KR)

(**) Term: **14 Years**

(21) Appl. No.: **29/287,195**

(22) Filed: **Jul. 9, 2007**

(30) **Foreign Application Priority Data**

May 25, 2007 (KR) 30-2007-0022656

(51) **LOC (8) Cl.** **14-03**

(52) **U.S. Cl.** **D14/138**

(58) **Field of Classification Search** D14/137-138, D14/147-148, 156, 218, 247-248, 341-347, D14/390, 399, 455, 456, 496; D16/208; D21/329, 331, 333, 517; 348/14.01-14.02; 361/814; 379/433.01-433.13; 455/90.3, 455/556.1-556.2, 566, 575.1, 575.3, 575.4; D13/164, 168; 439/165; 343/702

See application file for complete search history.

(56) **References Cited**

U.S. PATENT DOCUMENTS

- D515,528 S * 2/2006 Miyazawa et al. D14/138
- D515,541 S * 2/2006 Jensfelt D14/138
- D539,776 S * 4/2007 Wada D14/138
- D540,773 S * 4/2007 Meng et al. D14/138
- D543,188 S * 5/2007 Minamide et al. D14/138

- D543,191 S * 5/2007 Kim et al. D14/138
- D543,531 S * 5/2007 Lee D14/138
- D543,967 S * 6/2007 Peng D14/138
- D546,314 S * 7/2007 Im D14/138
- D550,642 S * 9/2007 Jiang et al. D14/138
- D556,727 S * 12/2007 Cha et al. D14/138
- D560,631 S * 1/2008 Sheu et al. D14/138
- 2005/0250530 A1 * 11/2005 Tanaka 455/550.1

OTHER PUBLICATIONS

Sagem my405X, announced Mar. 2006, <URL:http://www.gsmarena.com/sagem_my405x-pictures-1503.php>, retrieved from internet Mar. 13, 2008.*

Nokia N82, announced Nov. 2007, <URL:http://www.gsmarena.com/nokia_n82-2177.php>, retrieved from internet Mar. 13, 2008.*

* cited by examiner

Primary Examiner—Ian Simmons

Assistant Examiner—Carla Wright

(74) *Attorney, Agent, or Firm*—Staas & Halsey LLP

(57) **CLAIM**

The ornamental design for a mobile phone, as shown and described.

DESCRIPTION

- FIG. 1 is a perspective view of a mobile phone;
- FIG. 2 is a front view of the mobile phone of FIG. 1;
- FIG. 3 is a rear view of the mobile phone of FIG. 1;
- FIG. 4 is left-side of the mobile phone of FIG. 1;
- FIG. 5 is right-side of the mobile phone of FIG. 1;
- FIG. 6 is top plan view of the mobile phone of FIG. 1; and,
- FIG. 7 is bottom plan view of the mobile phone of FIG. 1.

1 Claim, 4 Drawing Sheets

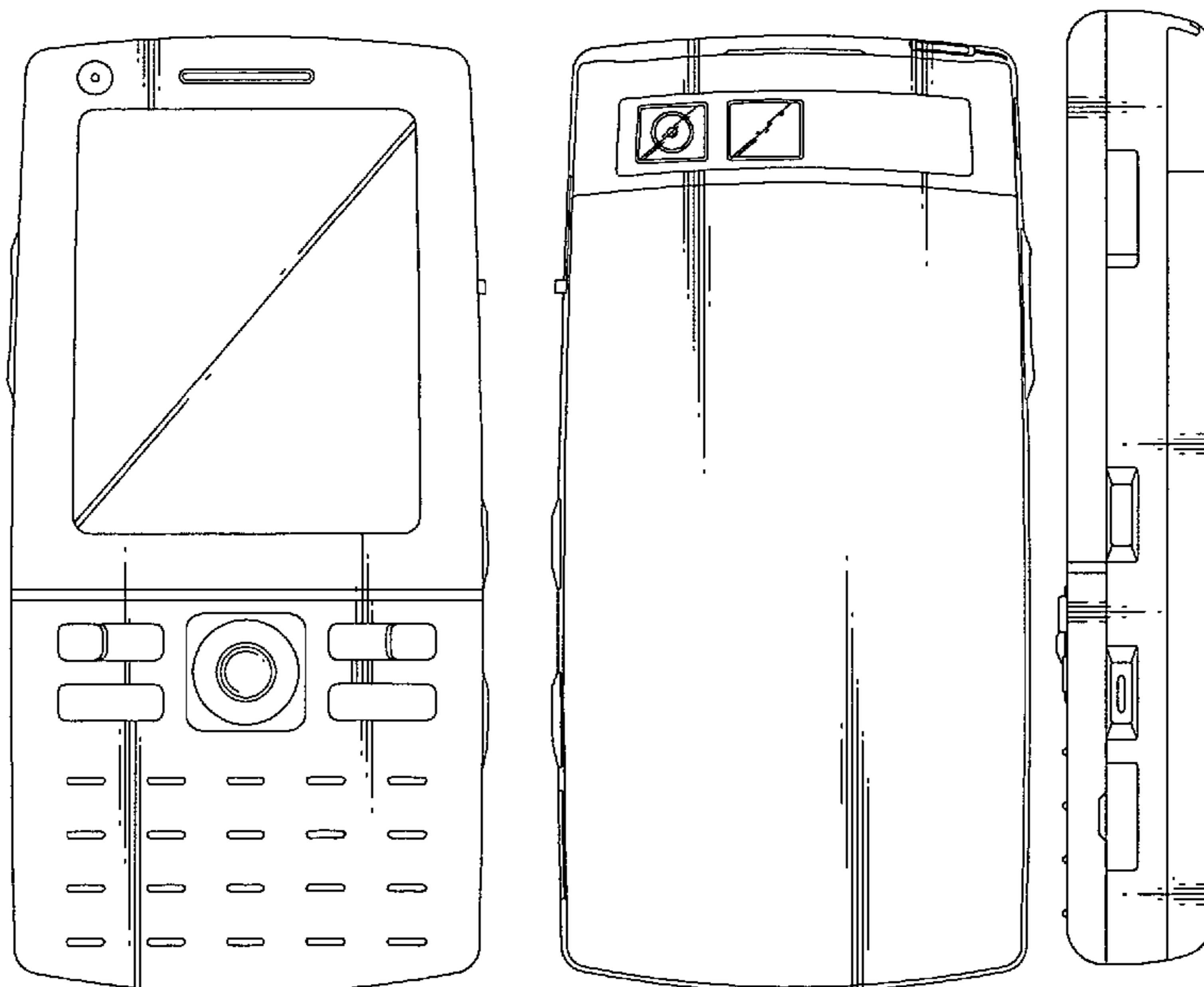


FIG. 1

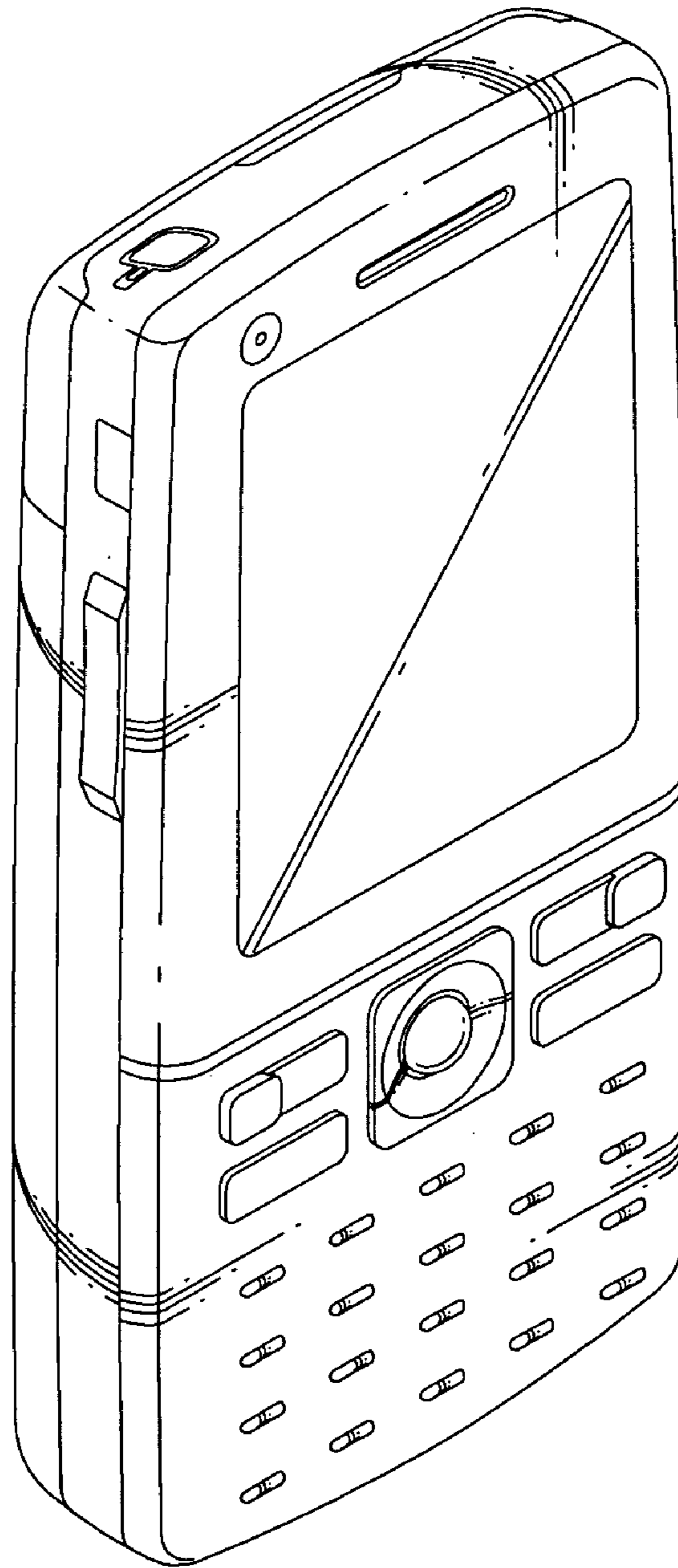


FIG.2

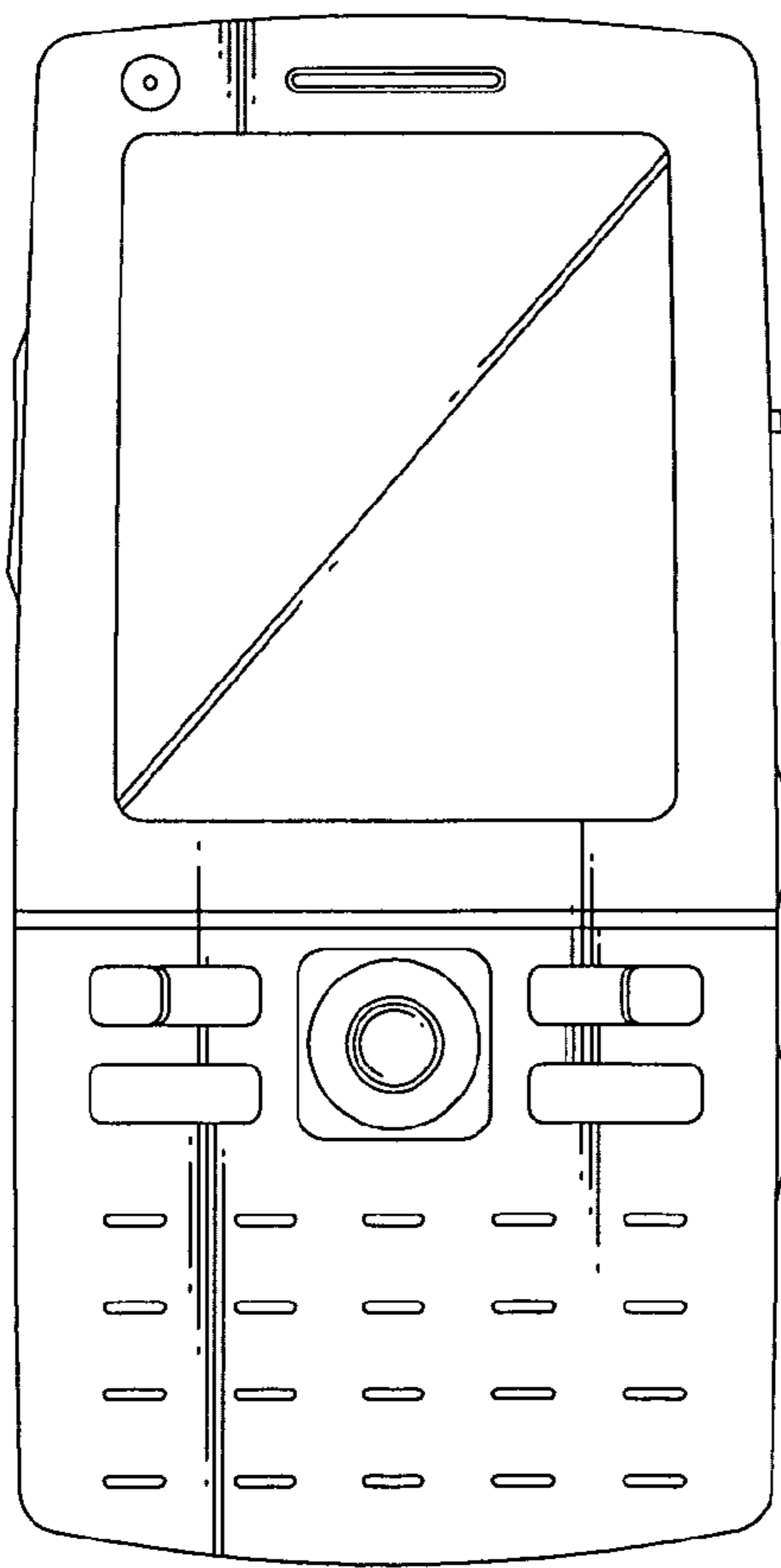


FIG.3

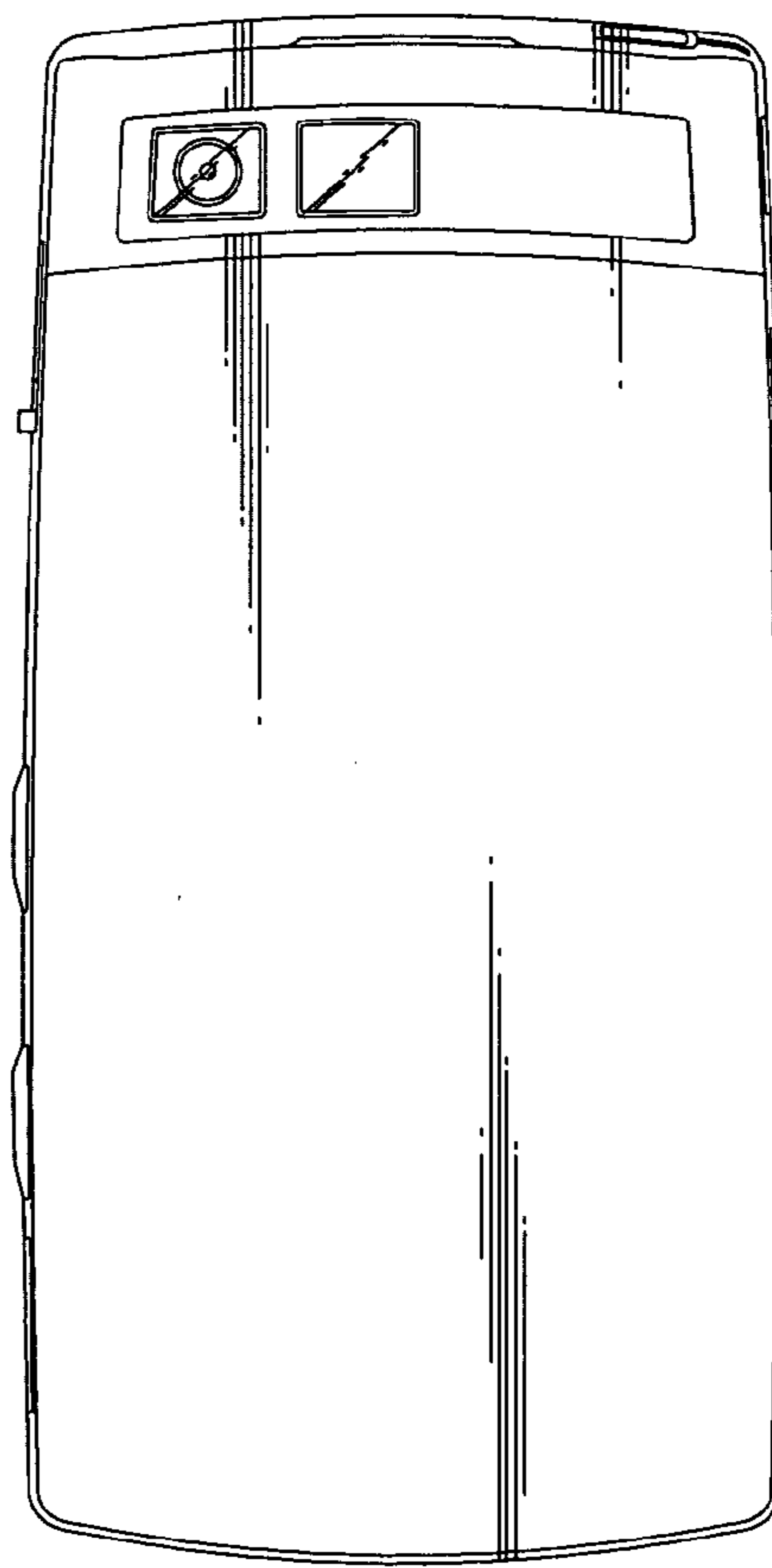


FIG. 4

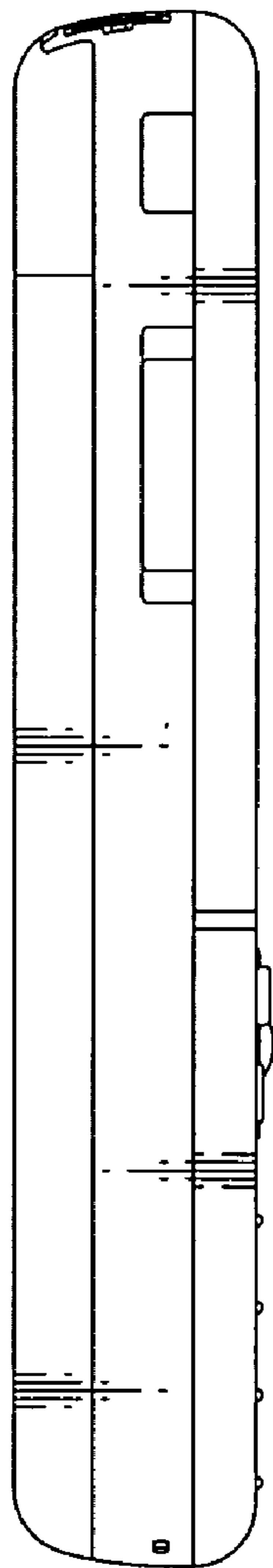


FIG. 5

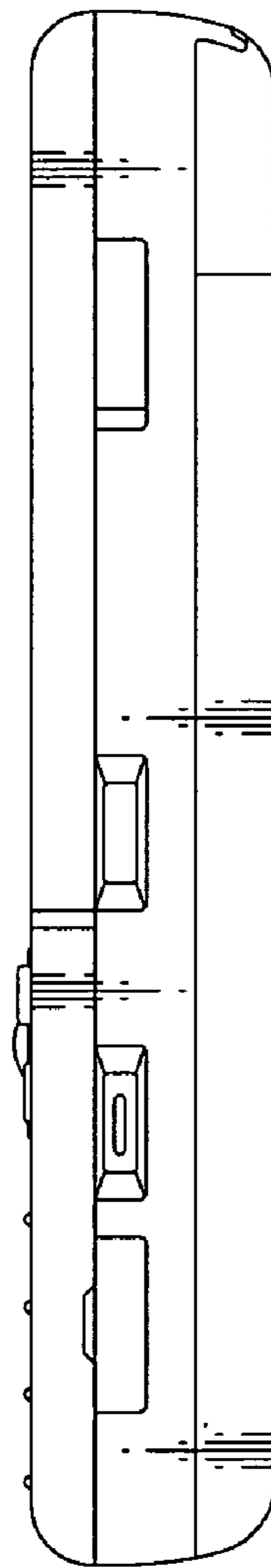


FIG. 6

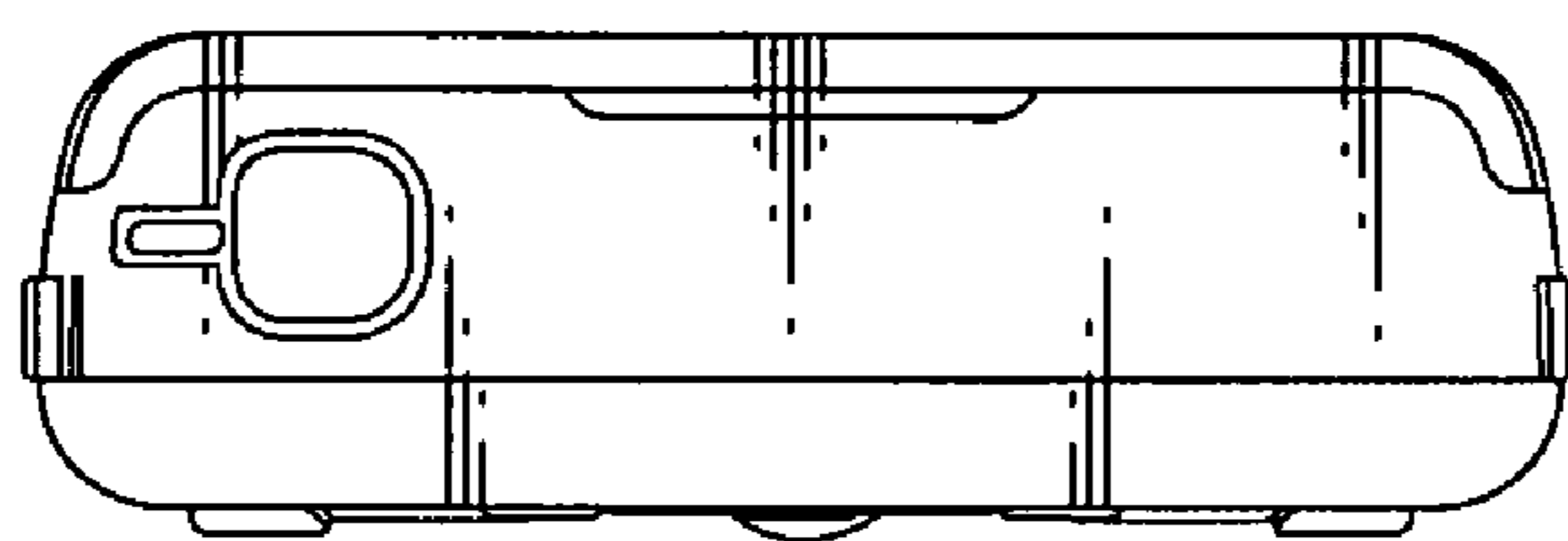


FIG. 7

