



US00D574346S

(12) **United States Design Patent**
Won et al.

(10) **Patent No.:** **US D574,346 S**
(45) **Date of Patent:** **** Aug. 5, 2008**

(54) **TELEVISION RECEIVER**

D498,215 S * 11/2004 Lee et al. D14/126
D504,669 S * 5/2005 Fujiki D14/126
D547,280 S 7/2007 Shin et al.

(75) Inventors: **Tae-Yeon Won**, Seoul (KR); **Young-Sun Shin**, Seoul (KR)

OTHER PUBLICATIONS

(73) Assignee: **Samsung Electronics Co., Ltd.**,
Kyunggi-do (KR)

U.S. Appl. No. 29/264,718, Applicant: Young-Sun Shin, et al., filed Aug. 16, 2006 entitled Television Receiver.
U.S. Appl. No. 29/271,974, Applicant: Kyoung-Hoon Kim, et al., filed Jan. 30, 2007 entitled Television Receiver.
U.S. Appl. No. 29/271,981, Applicant: Kyoung-Hoon Kim, et al., filed Jan. 30, 2007 entitled Television Receiver.

(**) Term: **14 Years**

* cited by examiner

(21) Appl. No.: **29/289,555**

(22) Filed: **Jul. 25, 2007**

Primary Examiner—Raphael Barkai

(51) **LOC (8) Cl.** **14-03**

(74) *Attorney, Agent, or Firm*—Flynn, Thiel, Boutell & Tanis, P.C.

(52) **U.S. Cl.** **D14/128**

(58) **Field of Classification Search** D14/125–134,
D14/239, 371, 136, 374–377, 440, 450, 448,
D14/336, 342; 312/7.2; 348/836, 838, 180,
348/184, 325, 739; 341/12; 248/917–924,
248/465; 345/101, 133, 156, 168, 87, 173;
720/605, 669, 600, 655; 369/99, 197; 455/344,
455/347; D21/329, 515, 577, 622, 333, 433,
D21/448, 452, 450, 331; D6/477, 479; 273/148 B;
446/484, 175, 356; D10/15, 26

(57) **CLAIM**

See application file for complete search history.

The ornamental design for a television receiver, as shown and described.

DESCRIPTION

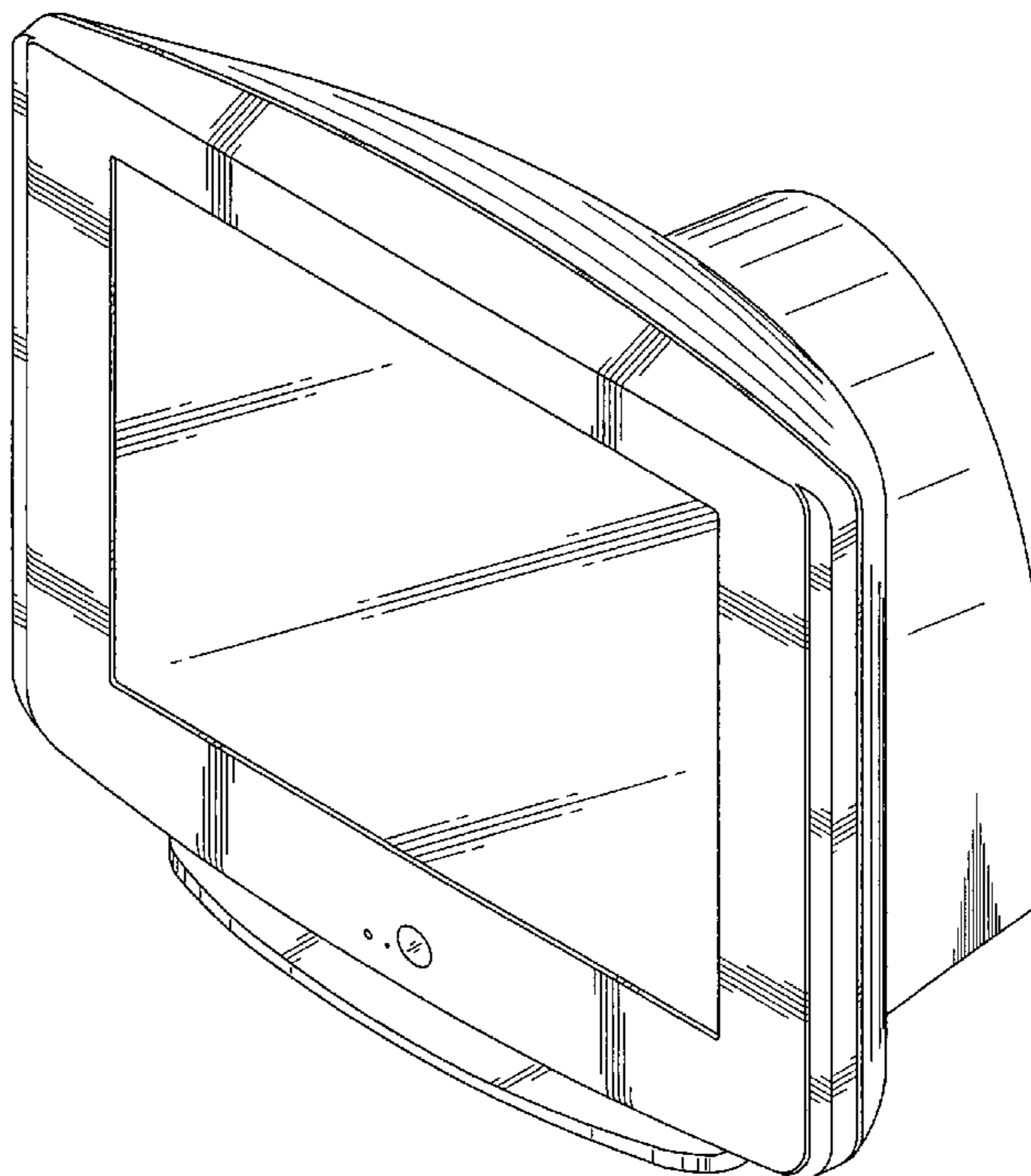
(56) **References Cited**

FIG. 1 is a top front perspective view of a television receiver showing our new design;
FIG. 2 is a front elevational view thereof;
FIG. 3 is a rear elevational view thereof;
FIG. 4 is a left side elevational view, the right side being symmetrical thereof;
FIG. 5 is a top plan view thereof; and,
FIG. 6 is a bottom plan view.

U.S. PATENT DOCUMENTS

D337,580 S 7/1993 Koo
D339,334 S 9/1993 Koo
D352,940 S * 11/1994 Kazama D14/126
D354,282 S 1/1995 Koo et al.
D419,538 S * 1/2000 Matsuoka et al. D14/376

1 Claim, 4 Drawing Sheets



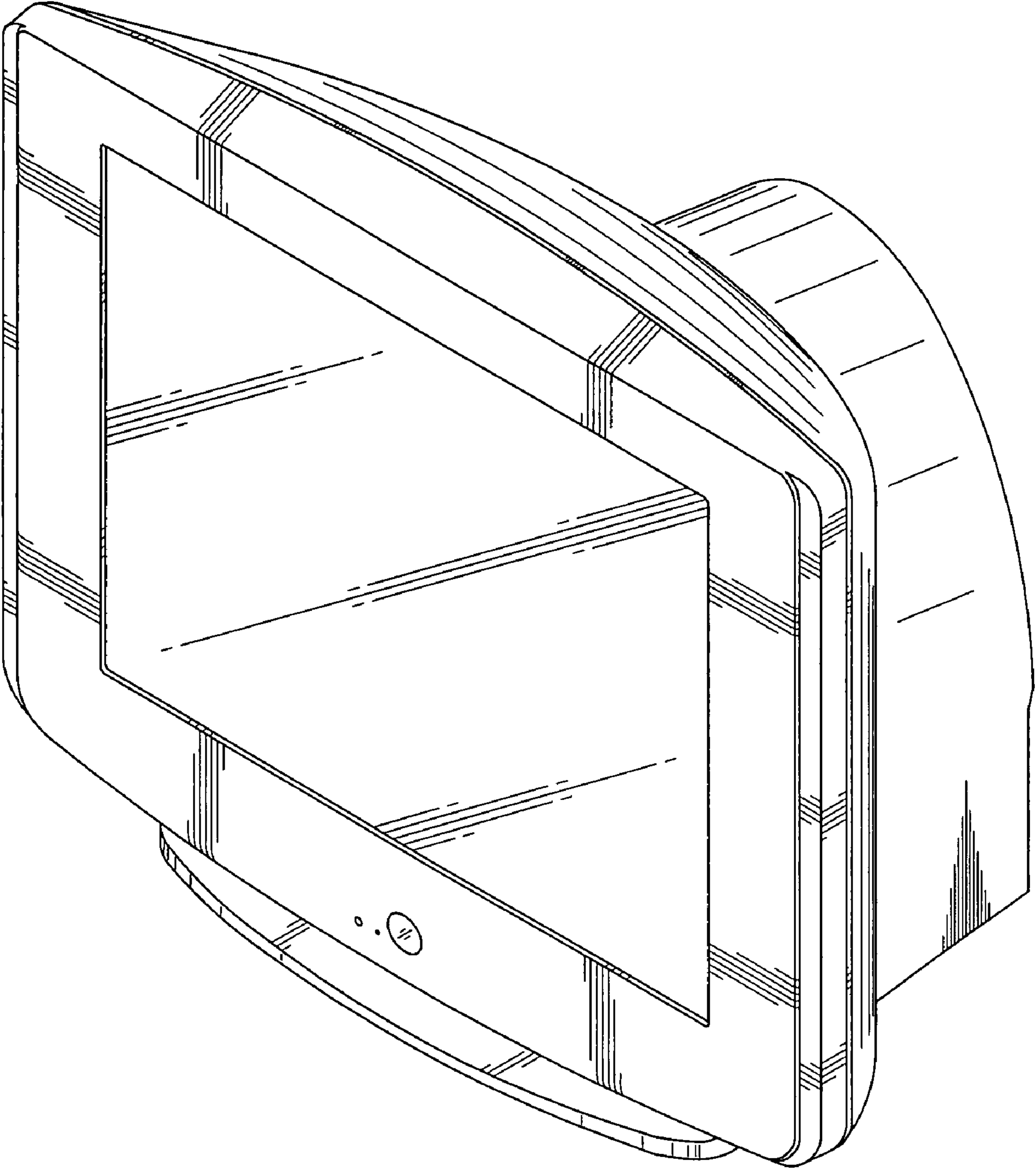


FIG. 1

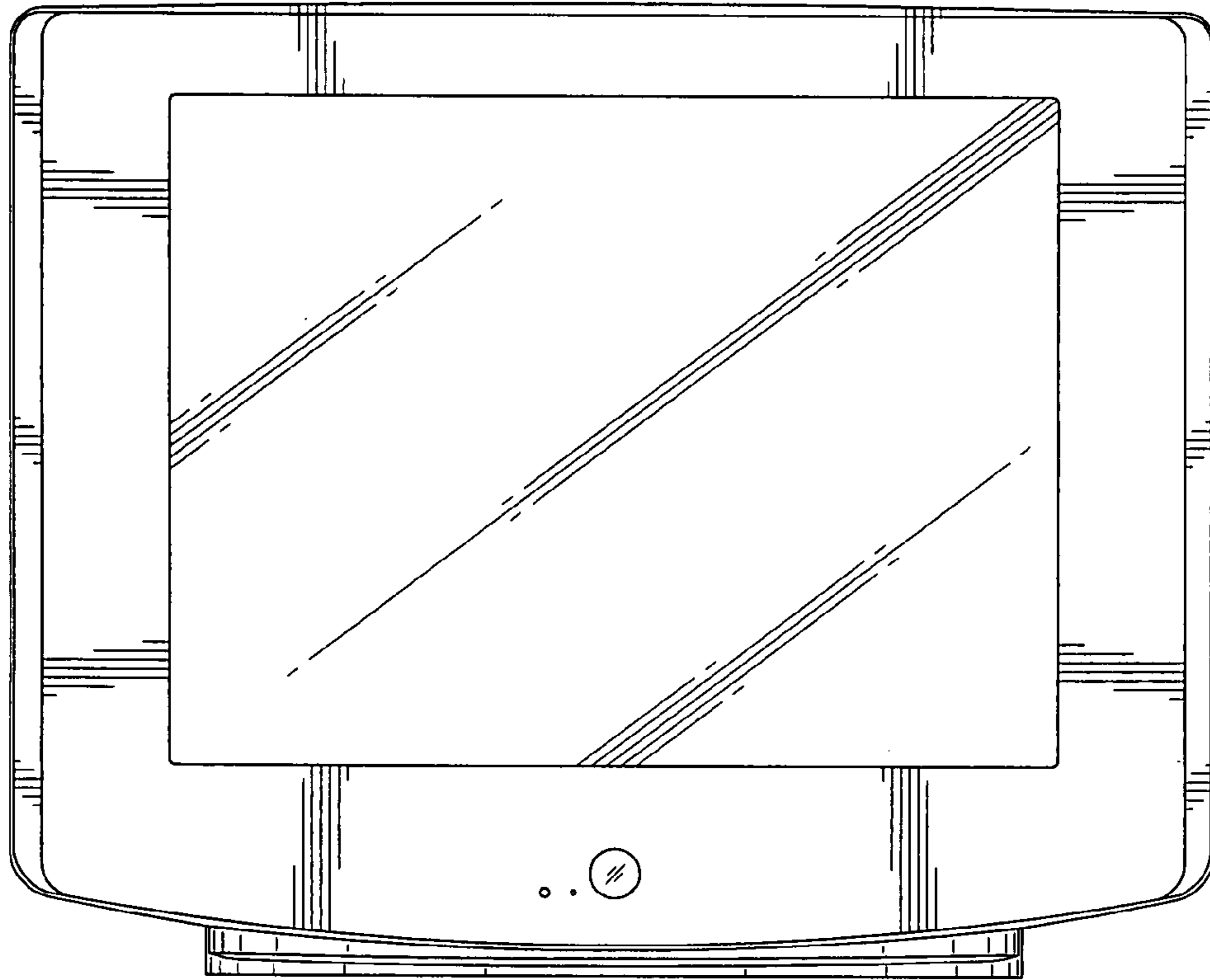


FIG. 2

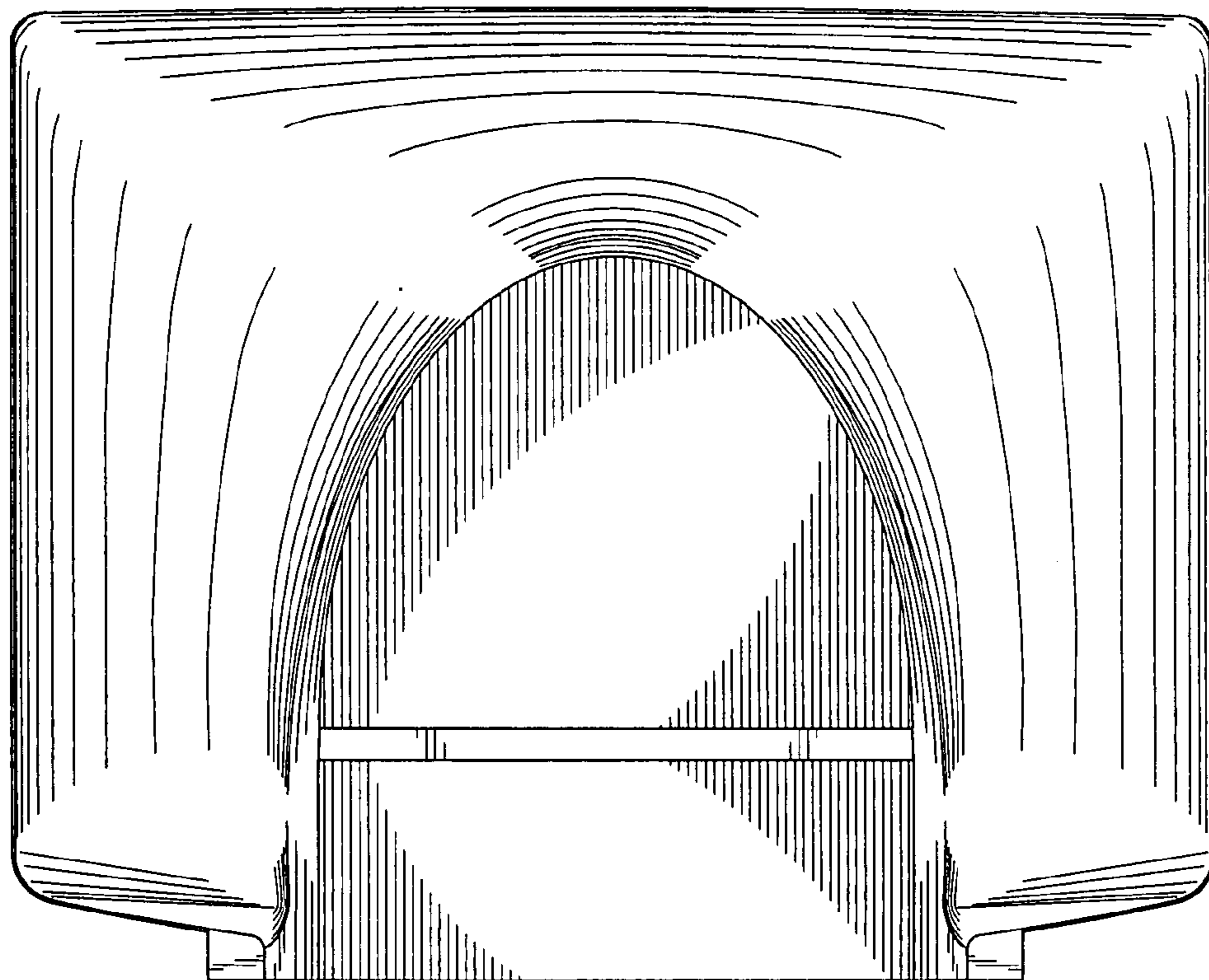


FIG. 3

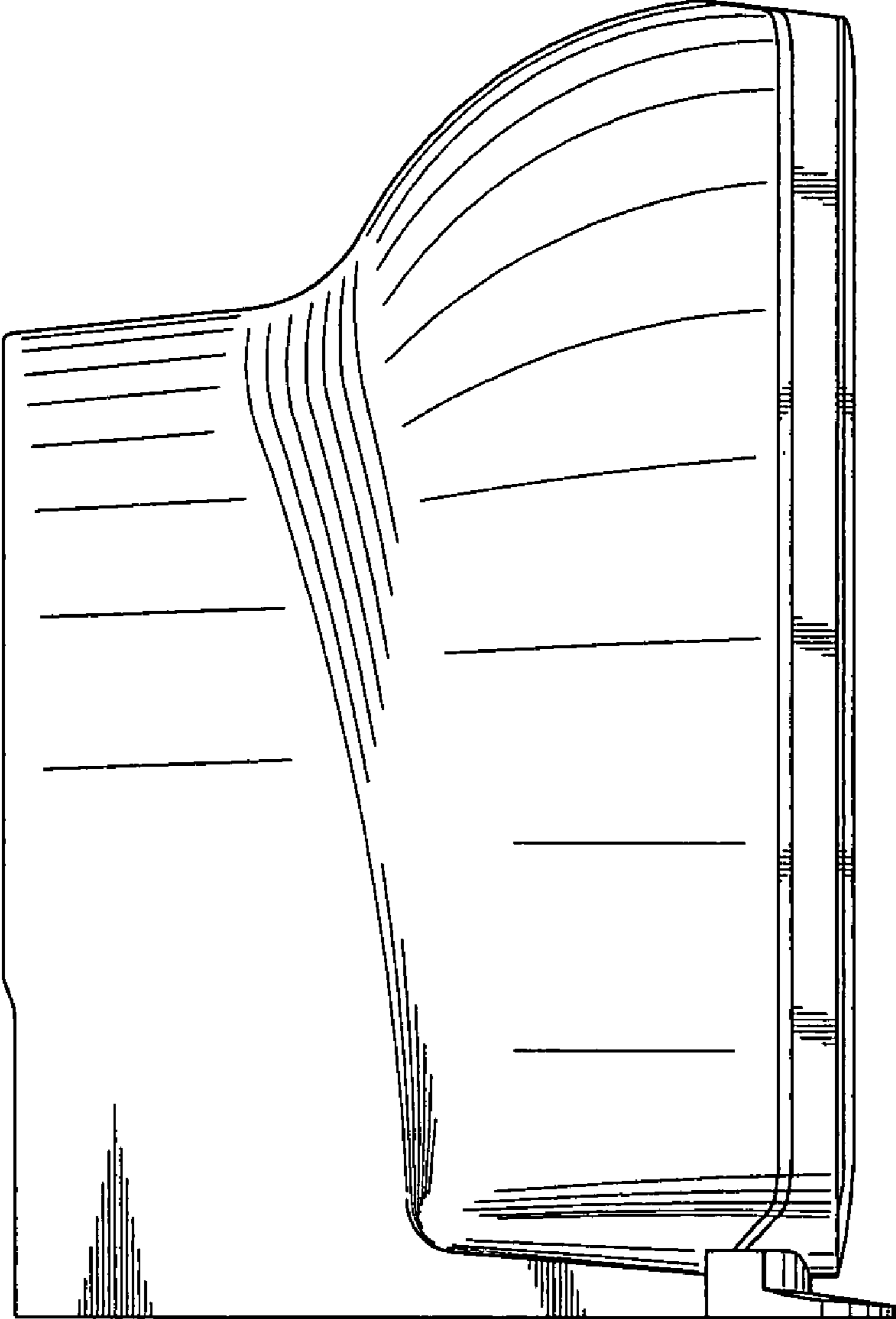


FIG. 4

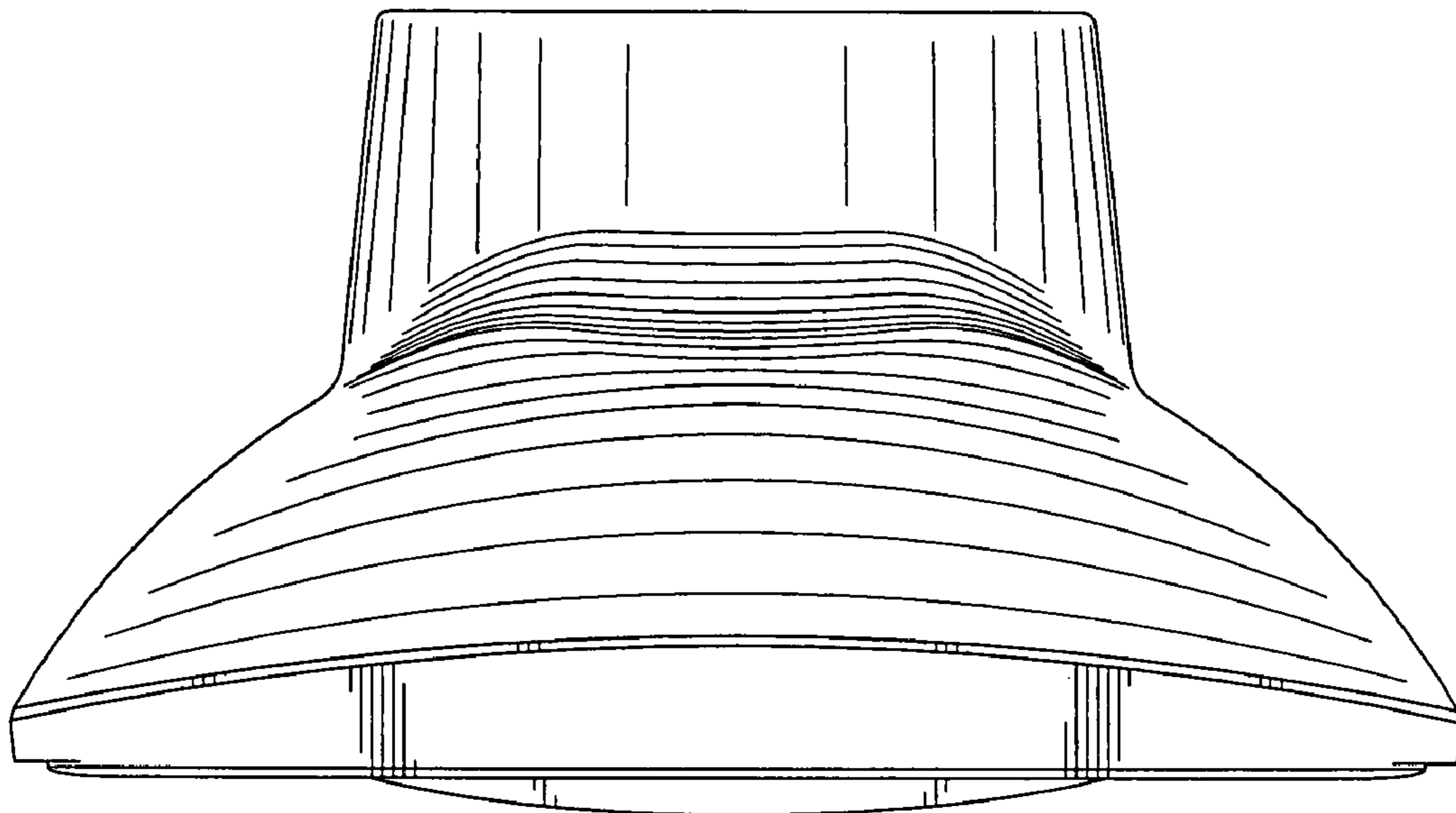


FIG. 5

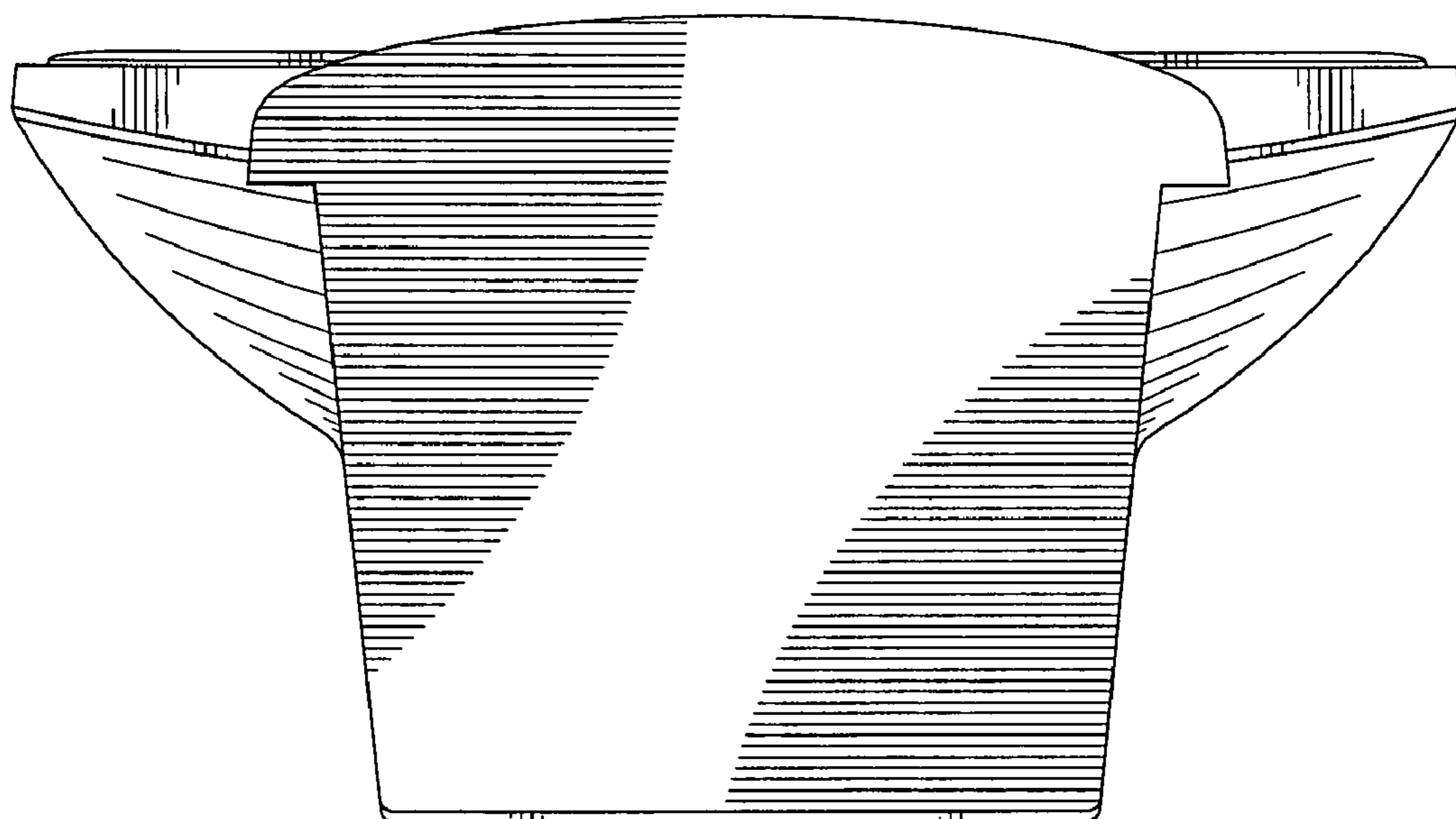


FIG. 6