



US00D574344S

(12) **United States Design Patent**
Ju et al.

(10) **Patent No.:** **US D574,344 S**
(45) **Date of Patent:** **** Aug. 5, 2008**

(54) **TELEVISION RECEIVER**

(75) Inventors: **Keun Ho Ju**, Gyeonggi-do (KR); **Bo Deung Hwang**, Seoul (KR); **Yong Ho Lee**, Seoul (KR)

(73) Assignee: **LG Electronics Inc.**, Seoul (KR)

(**) Term: **14 Years**

(21) Appl. No.: **29/284,644**

(22) Filed: **Sep. 12, 2007**

(30) **Foreign Application Priority Data**

Mar. 13, 2007 (KR) 30-2007-0010899

(51) **LOC (8) Cl.** **14-03**

(52) **U.S. Cl.** **D14/126**

(58) **Field of Classification Search** D14/125-134,
D14/239, 371, 136, 374-377, 440, 450, 448,
D14/336, 342; 312/7.2; 348/836, 838, 180,
348/184, 325, 739; 341/12; 248/917-924,
248/465; 345/104, 133, 156, 168, 878, 173;
720/605, 669, 600, 655; 369/99, 197; 455/344,
455/347; D21/329, 515, 577, 622, 333, 433,
D21/448, 452, 450, 331; D6/477, 479; 273/148 B;
446/484, 175, 356; D10/15, 26
See application file for complete search history.

(56) **References Cited**

U.S. PATENT DOCUMENTS

D488,784 S * 4/2004 Takami et al. D14/126

D491,540 S * 6/2004 Honda D14/126
D494,941 S * 8/2004 Kim D14/126
D498,214 S * 11/2004 Ahn et al. D14/126
D500,991 S * 1/2005 Niitsu D14/126
D546,304 S * 7/2007 Kim et al. D14/126
D553,587 S * 10/2007 Kim et al. D14/126
D562,788 S * 2/2008 Asanuma et al. D14/126

* cited by examiner

Primary Examiner—Raphael Barkai

(74) *Attorney, Agent, or Firm*—Birch, Stewart, Kolasch & Birch, LLP

(57) **CLAIM**

The ornamental design for a television receiver, as shown and described.

DESCRIPTION

FIG. 1 is a perspective view of a television receiver showing our new design;

FIG. 2 is a front view thereof;

FIG. 3 is a rear view thereof;

FIG. 4 is a left side view thereof;

FIG. 5 is a right side view thereof;

FIG. 6 is a top plan view thereof; and,

FIG. 7 is a bottom plan view thereof.

1 Claim, 4 Drawing Sheets

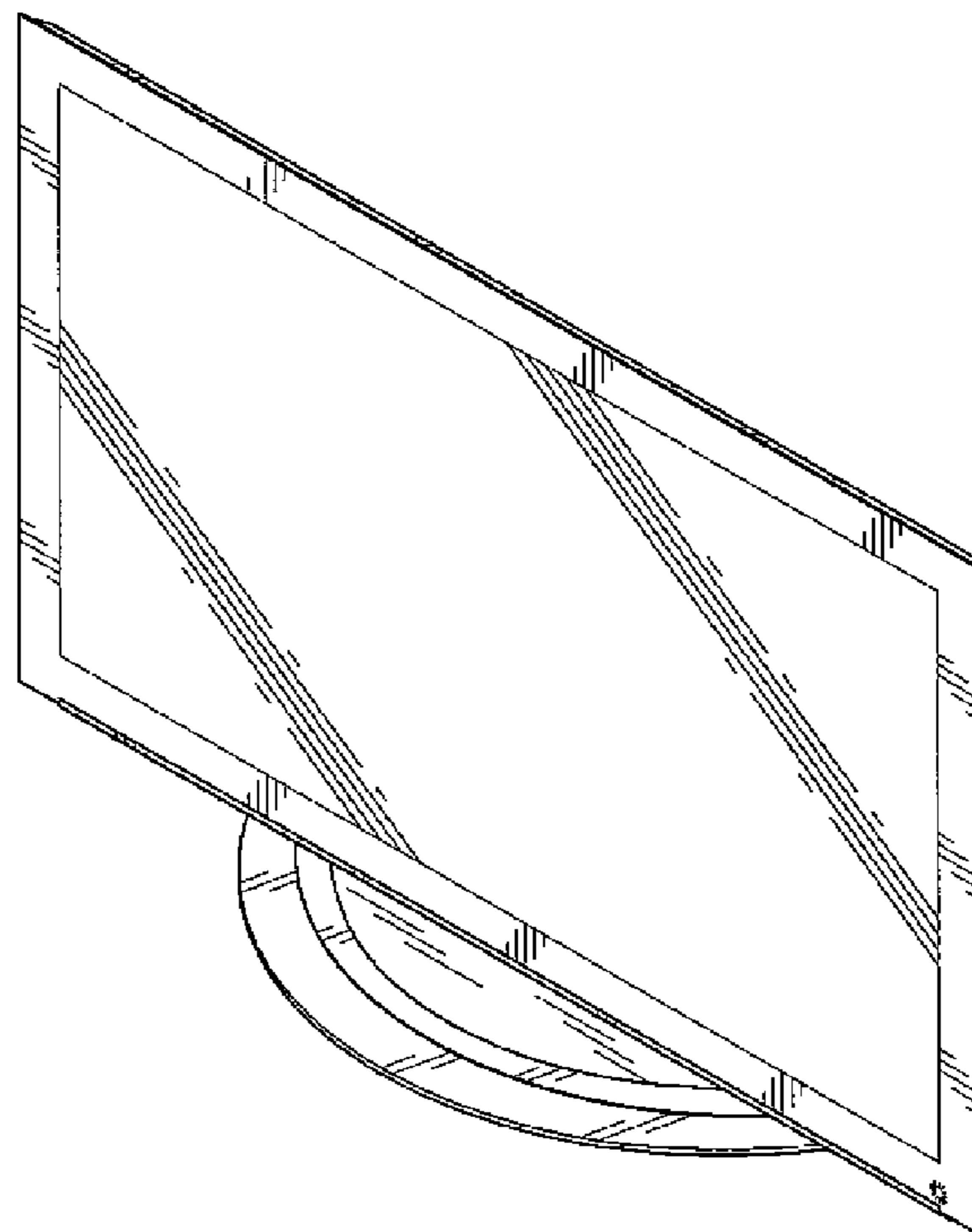


FIG. 1

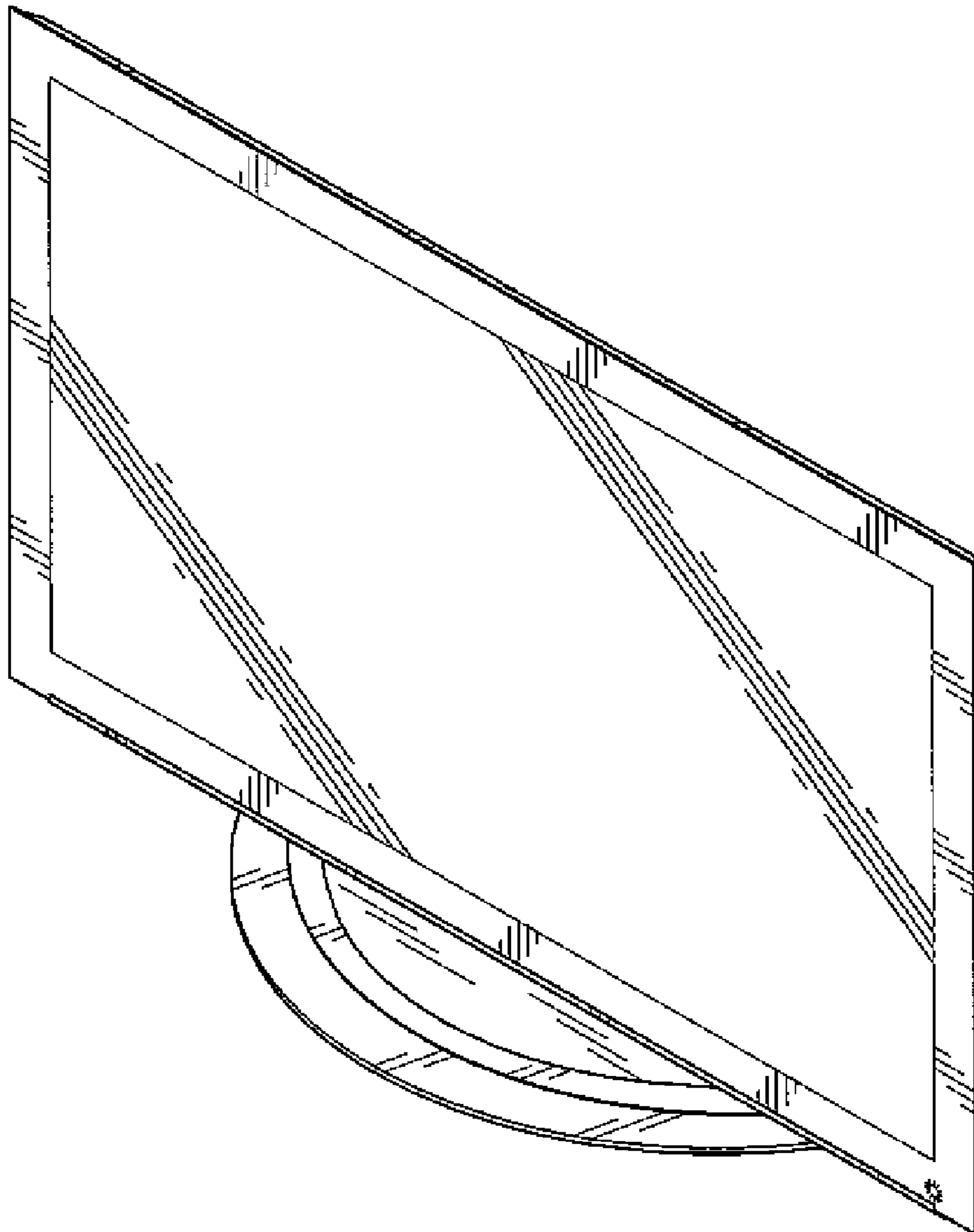


FIG. 2

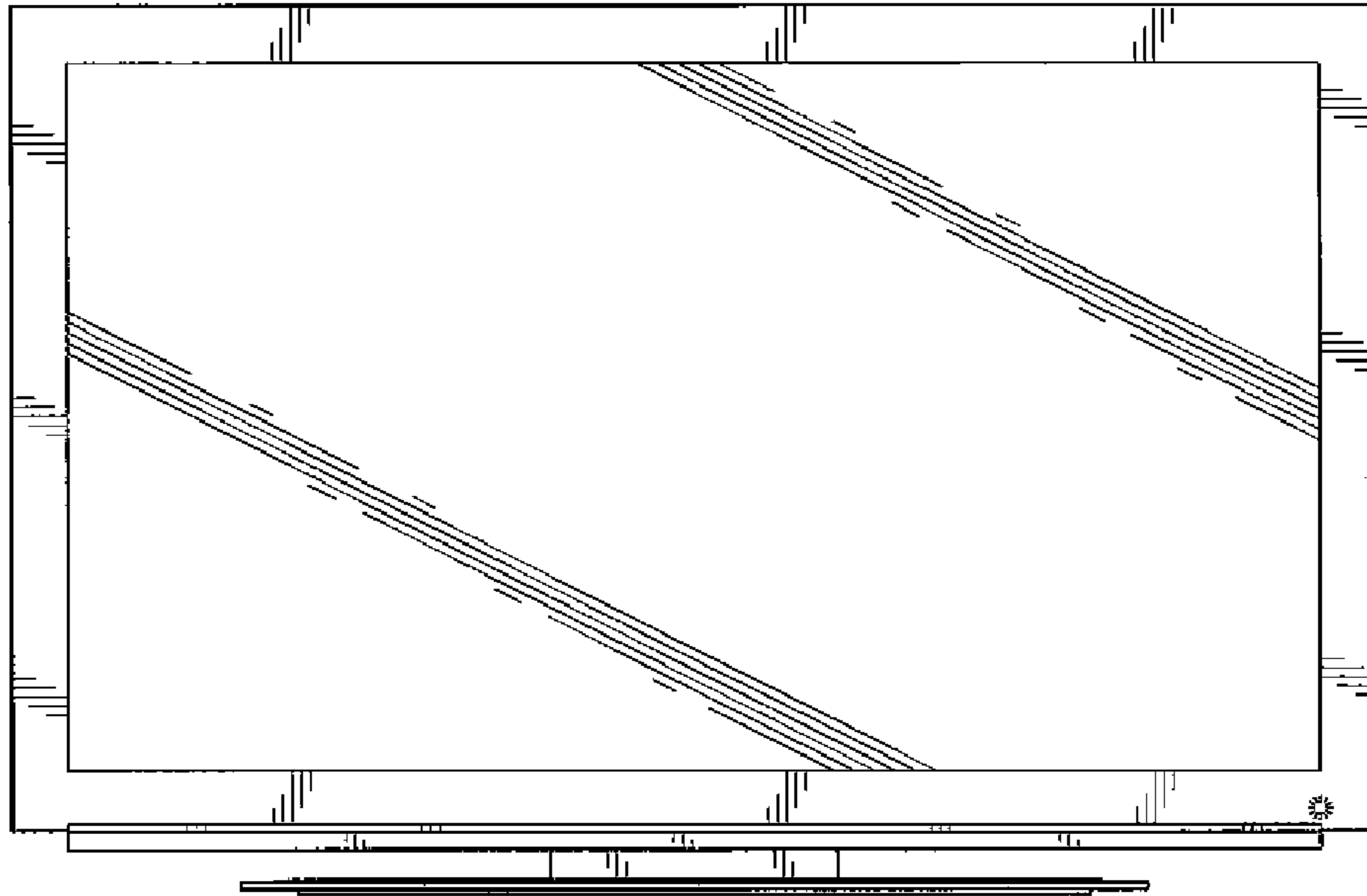


FIG. 3

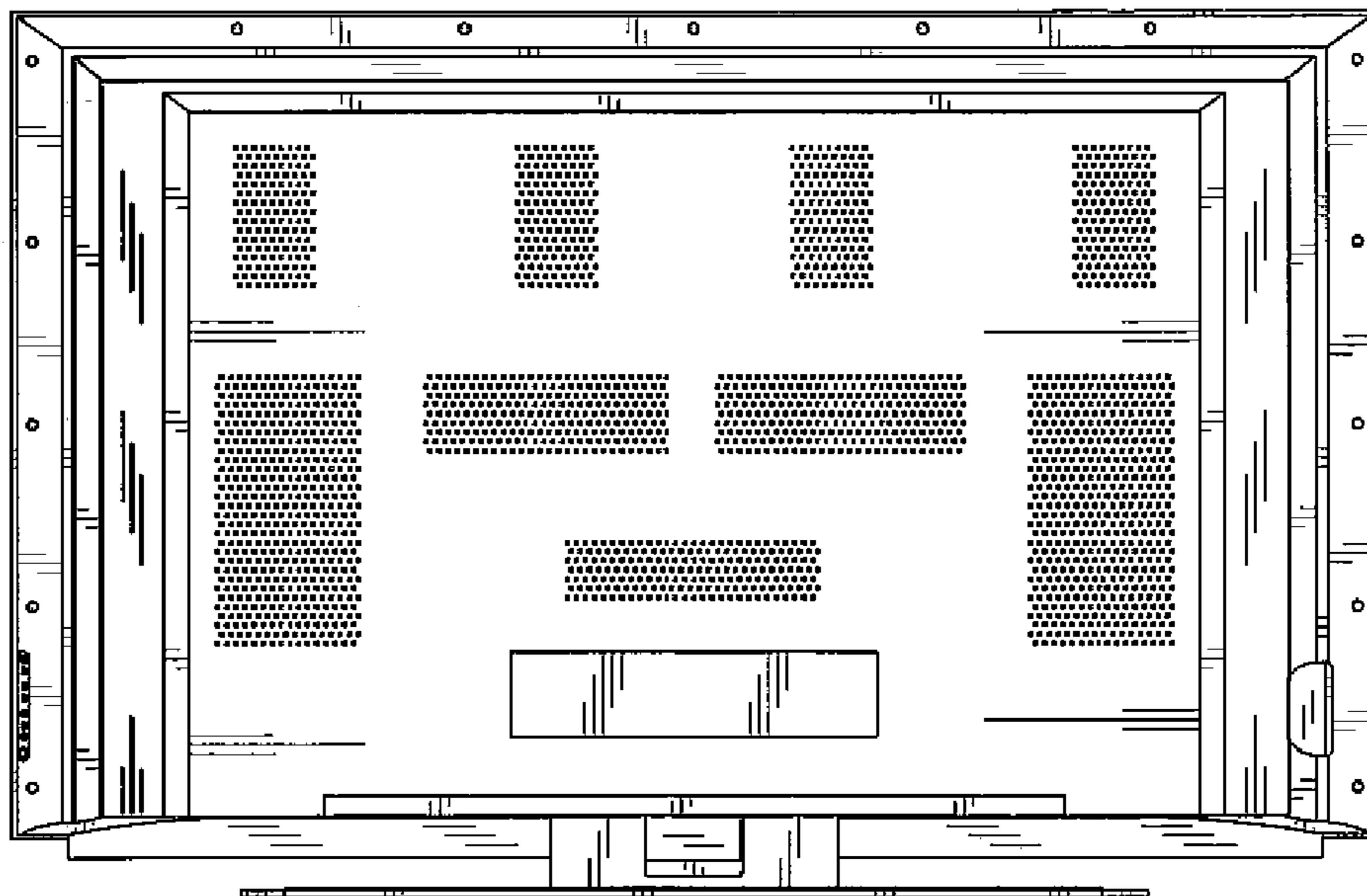


FIG. 4

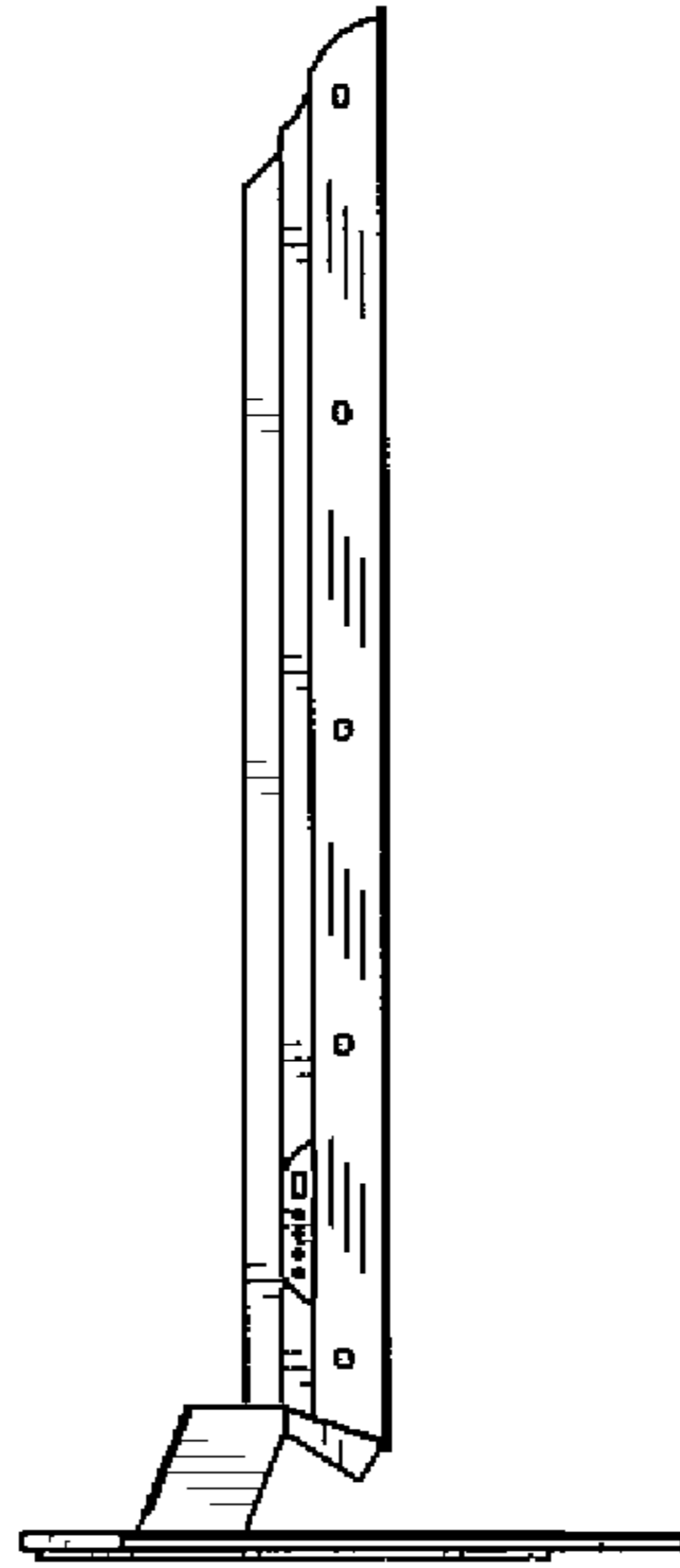


FIG. 5

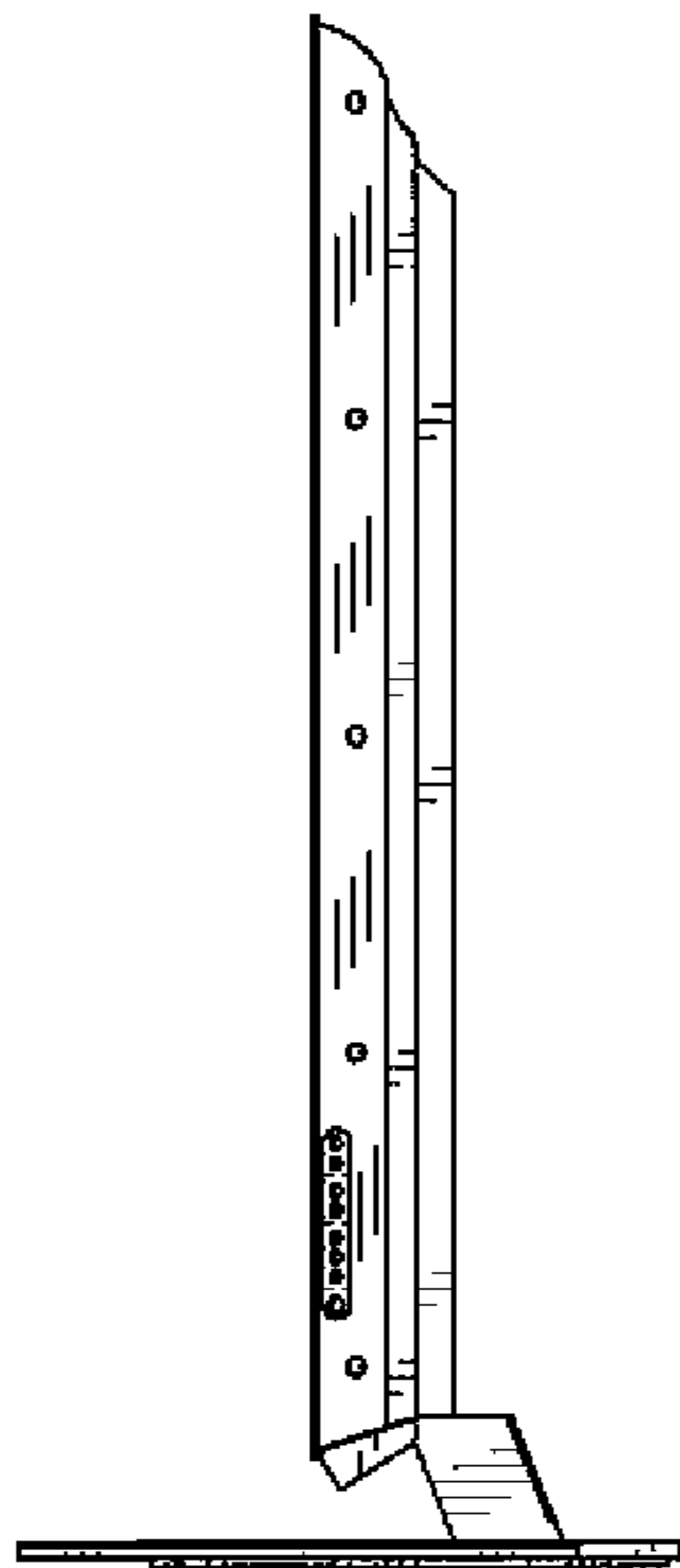


FIG. 6

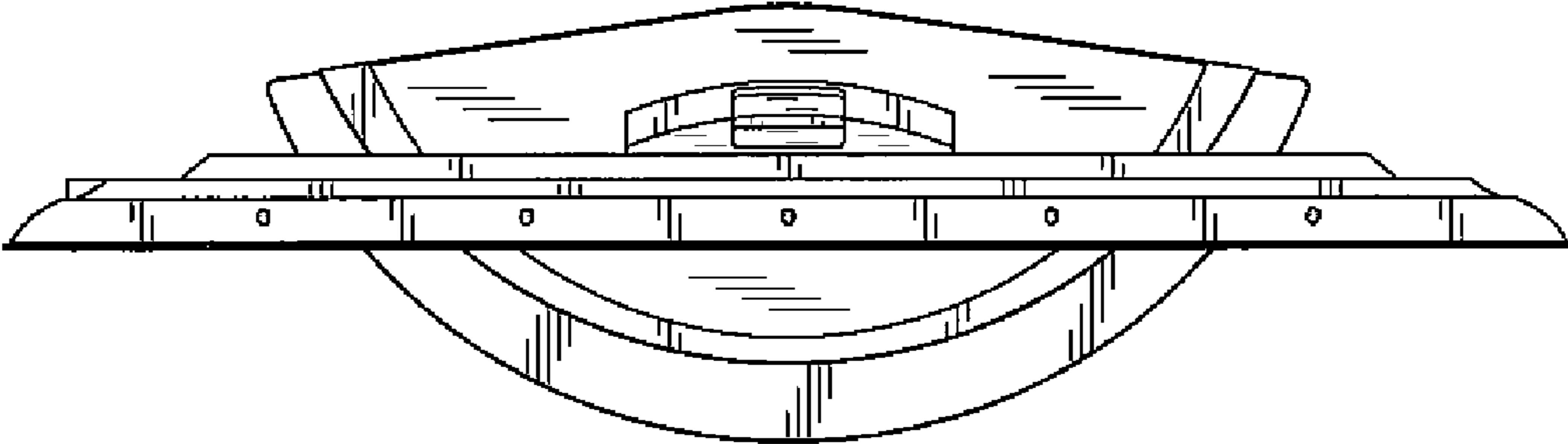


FIG. 7

