



US00D574341S

(12) **United States Design Patent**
Kuramashi et al.

(10) **Patent No.:** **US D574,341 S**

(45) **Date of Patent:** **** Aug. 5, 2008**

(54) **TELEVISION SET**

(75) Inventors: **Yuh Kuramashi**, Kawasaki (JP);
Tatsuya Honda, Yokohama (JP)

(73) Assignee: **Kabushiki Kaisha Toshiba** (JP)

(**) Term: **14 Years**

(21) Appl. No.: **29/275,696**

(22) Filed: **Jan. 4, 2007**

(51) **LOC (8) Cl.** **14-03**

(52) **U.S. Cl.** **D14/126**

(58) **Field of Classification Search** D14/125-134,
D14/239, 371, 136, 374-377; 312/7.2; 348/836,
348/838, 180, 184, 325, 739; 341/12; 248/917-924,
248/465; 345/104, 133, 156, 168, 87, 173;
720/605, 669, 600, 655; 369/99, 197; 455/344-347
See application file for complete search history.

(56) **References Cited**

U.S. PATENT DOCUMENTS

D422,974 S	*	4/2000	Imahashi et al.	D14/375
D457,864 S	*	5/2002	Bong et al.	D14/126
D460,426 S	*	7/2002	Sugiyama et al.	D14/126
D479,209 S		9/2003	Teng et al.		
D499,386 S	*	12/2004	Yang	D14/126
D500,991 S		1/2005	Niitsu		
D529,011 S	*	9/2006	Asanuma et al.	D14/126
D532,759 S	*	11/2006	Park	D14/126
D546,788 S	*	7/2007	Isshiki	D14/126
D550,176 S	*	9/2007	Asanuma et al.	D14/126

FOREIGN PATENT DOCUMENTS

JP D1086693 9/2000

JP	D122615	12/2004
JP	D1235556	4/2005
JP	D1243665	6/2005
KR	30-0402818	12/2005

OTHER PUBLICATIONS

Liquid Crystal Television Set (LT-46LH800), Victor Catalog, May 16, 2006.

B&H Summer 2004 Catalog, pp. 120-123 and 172-173, dated Jun. 2004.

B&H Spring 2006 Catalog, pp. 59-63 and 81, dated Mar. 2006.

B&H Summer 2006 Catalog, pp. 63-67 and 85, dated Jun. 2006.

* cited by examiner

Primary Examiner—Raphael Barkai

(74) *Attorney, Agent, or Firm*—Banner & Witcoff, Ltd.

(57) **CLAIM**

The ornamental design for a television set, as shown and described.

DESCRIPTION

FIG. 1 is a front, top and right side perspective view of a television set, showing our new design;

FIG. 2 is a front elevational view thereof;

FIG. 3 is a rear elevational view thereof;

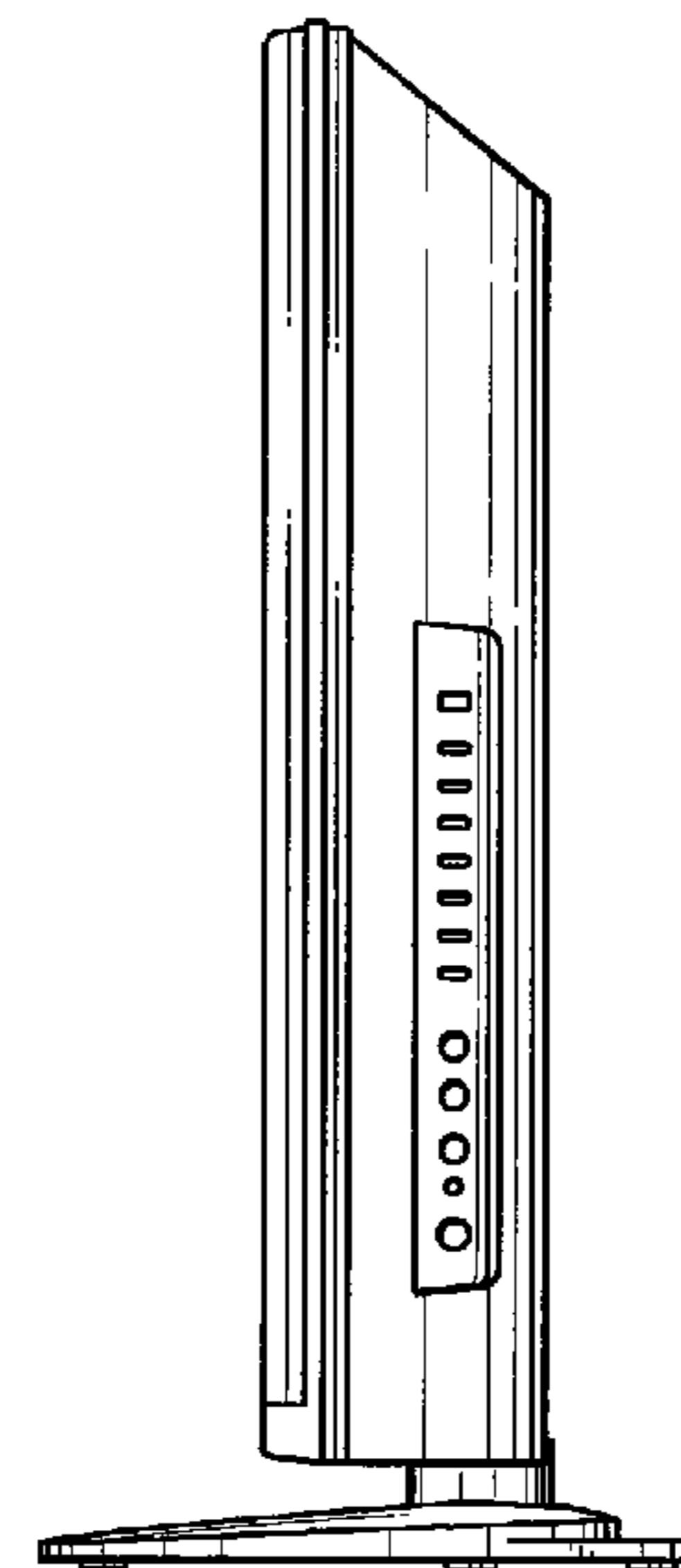
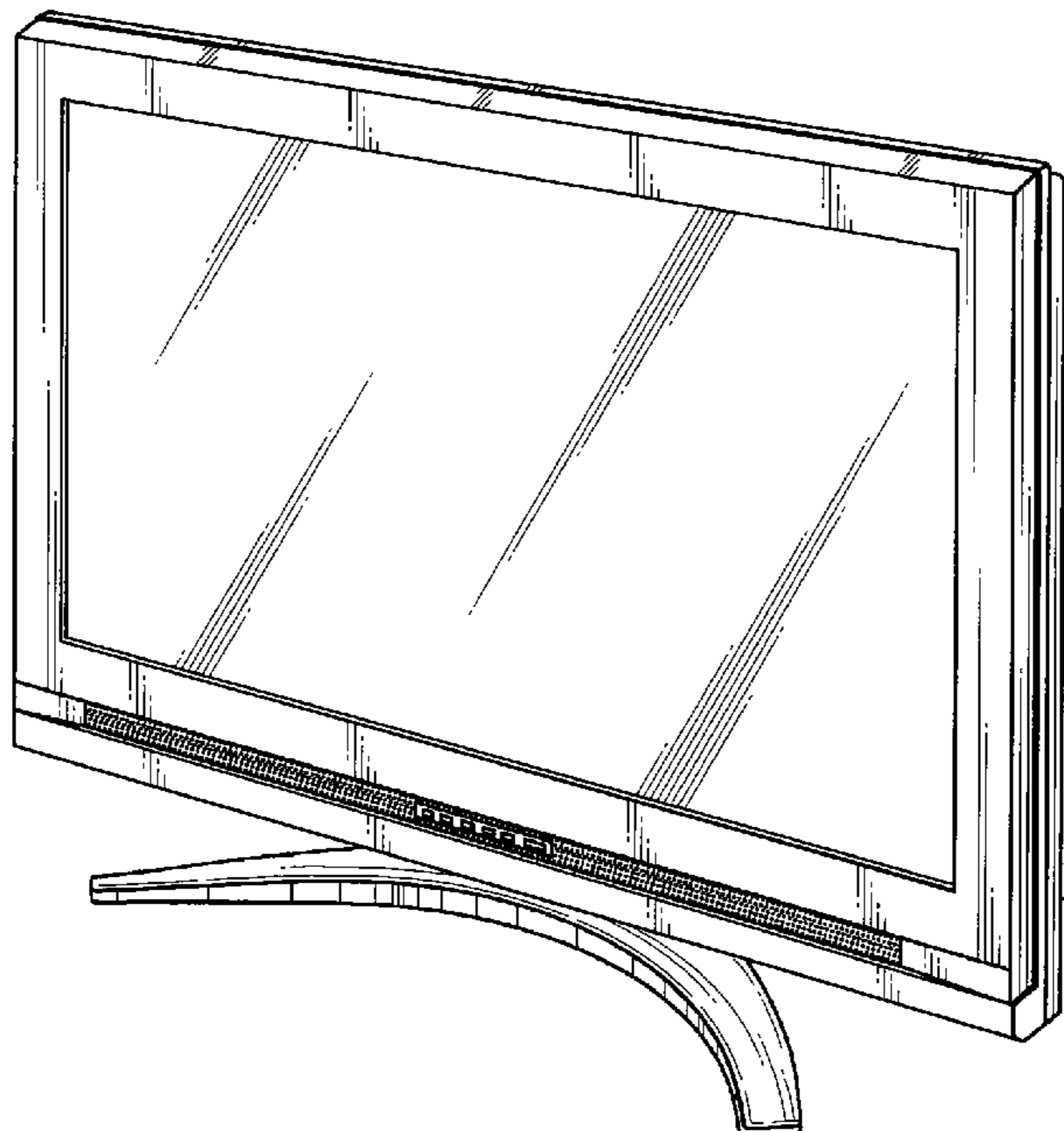
FIG. 4 is a top plan view thereof;

FIG. 5 is a bottom plan view thereof;

FIG. 6 is a left side elevational view thereof; and,

FIG. 7 is a right side elevational view thereof.

1 Claim, 4 Drawing Sheets



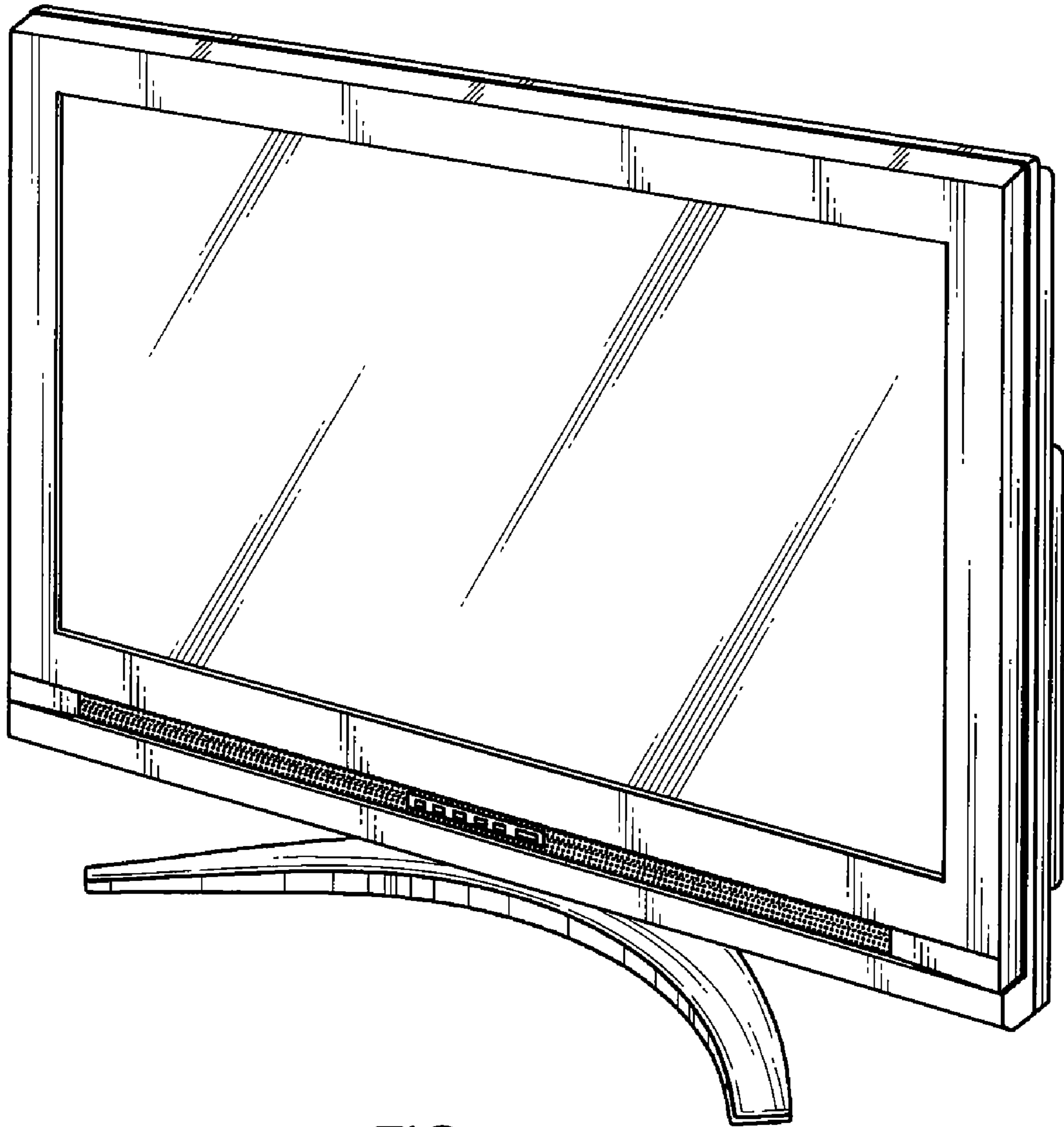


FIG.1

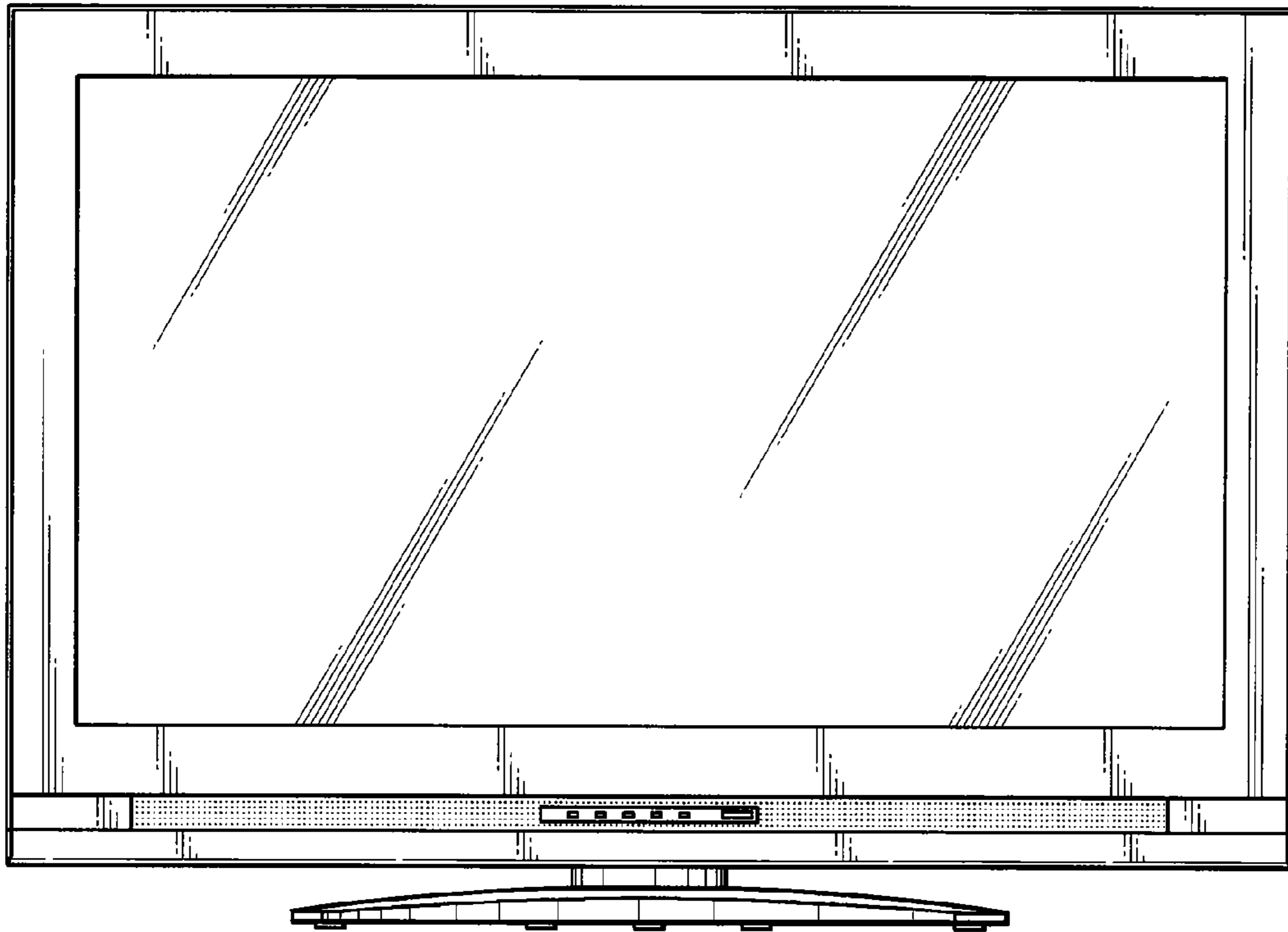


FIG.2

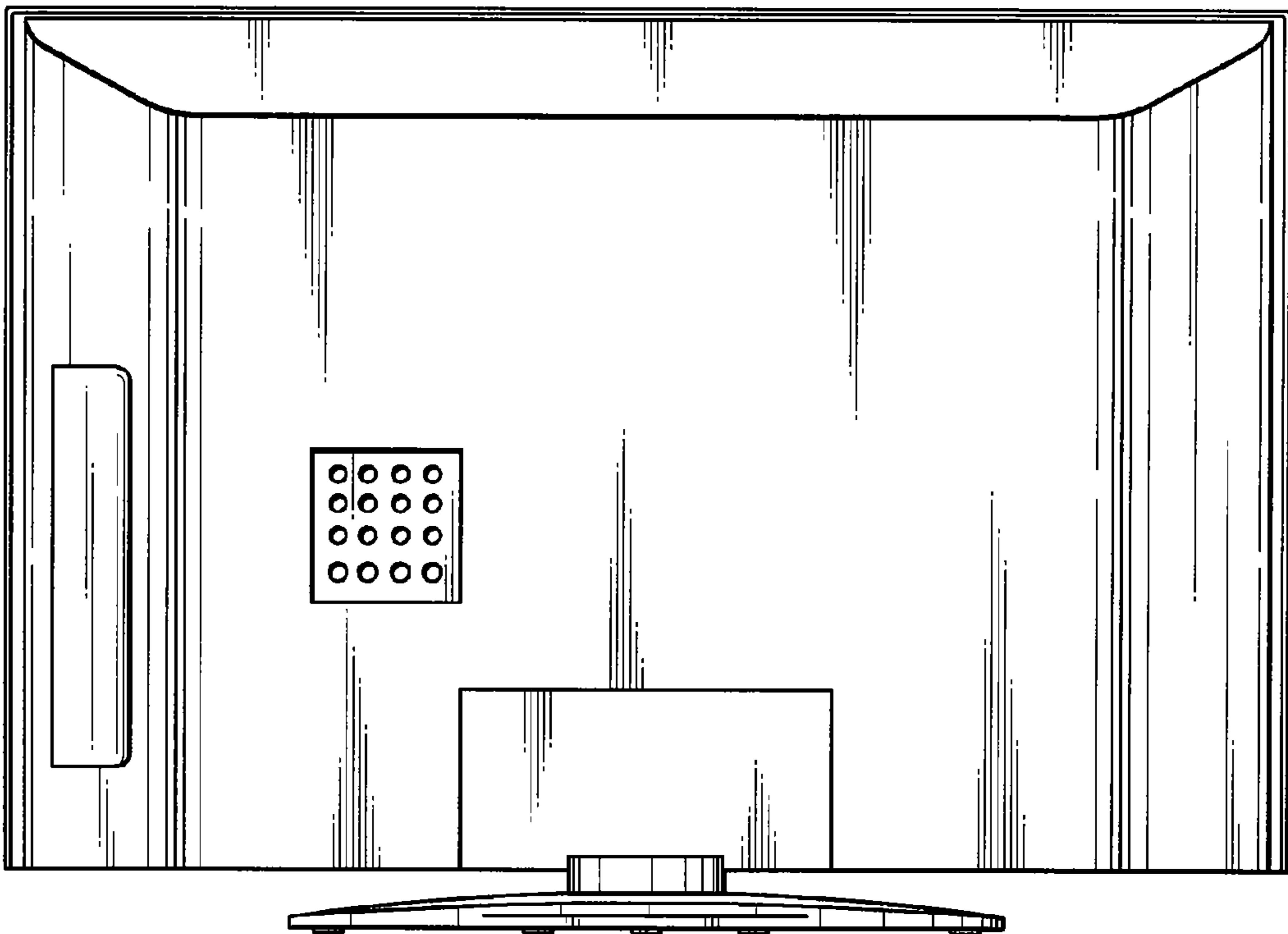


FIG.3

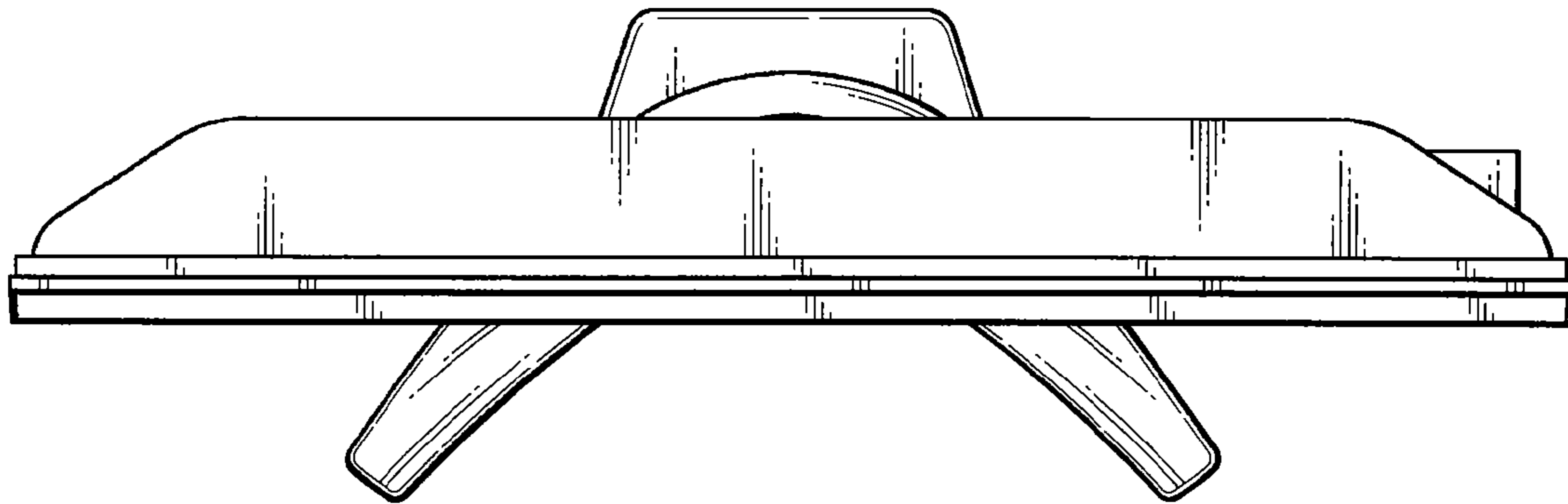


FIG. 4

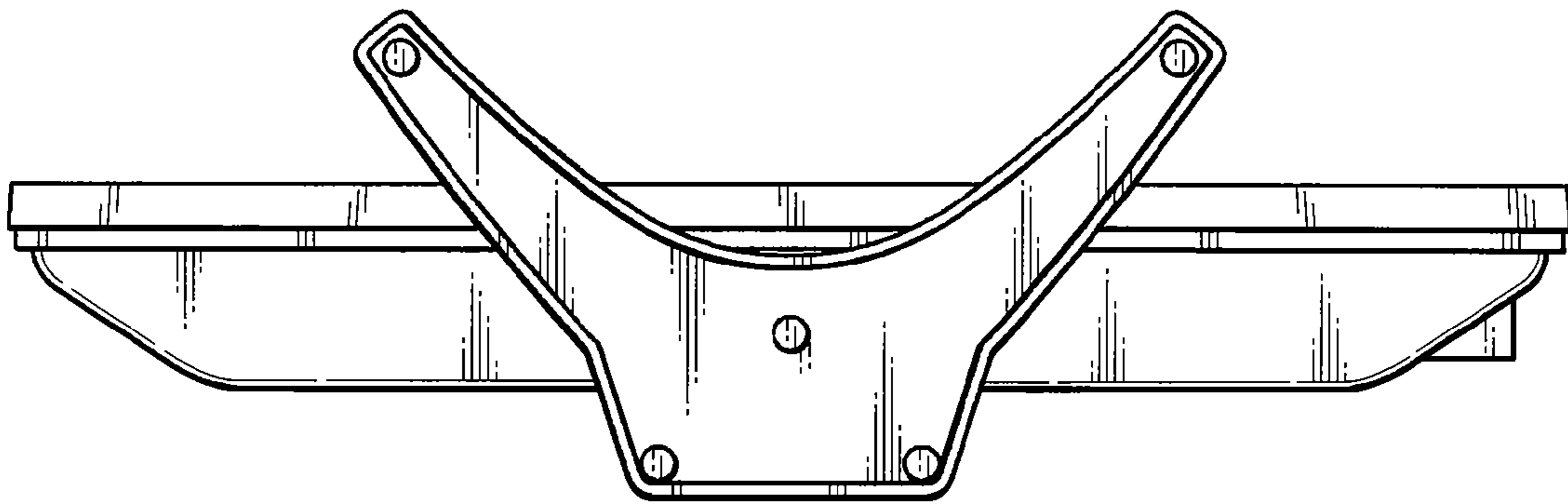


FIG. 5

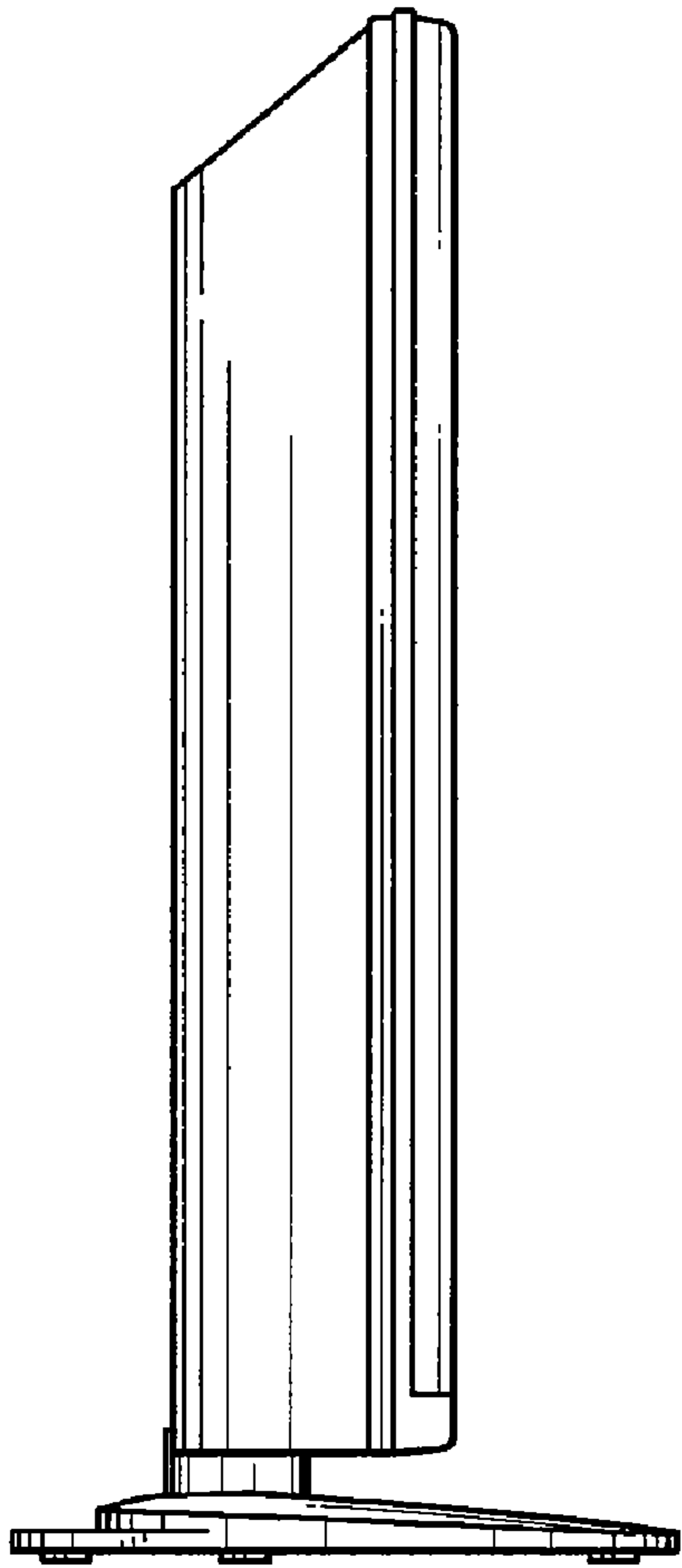


FIG. 6

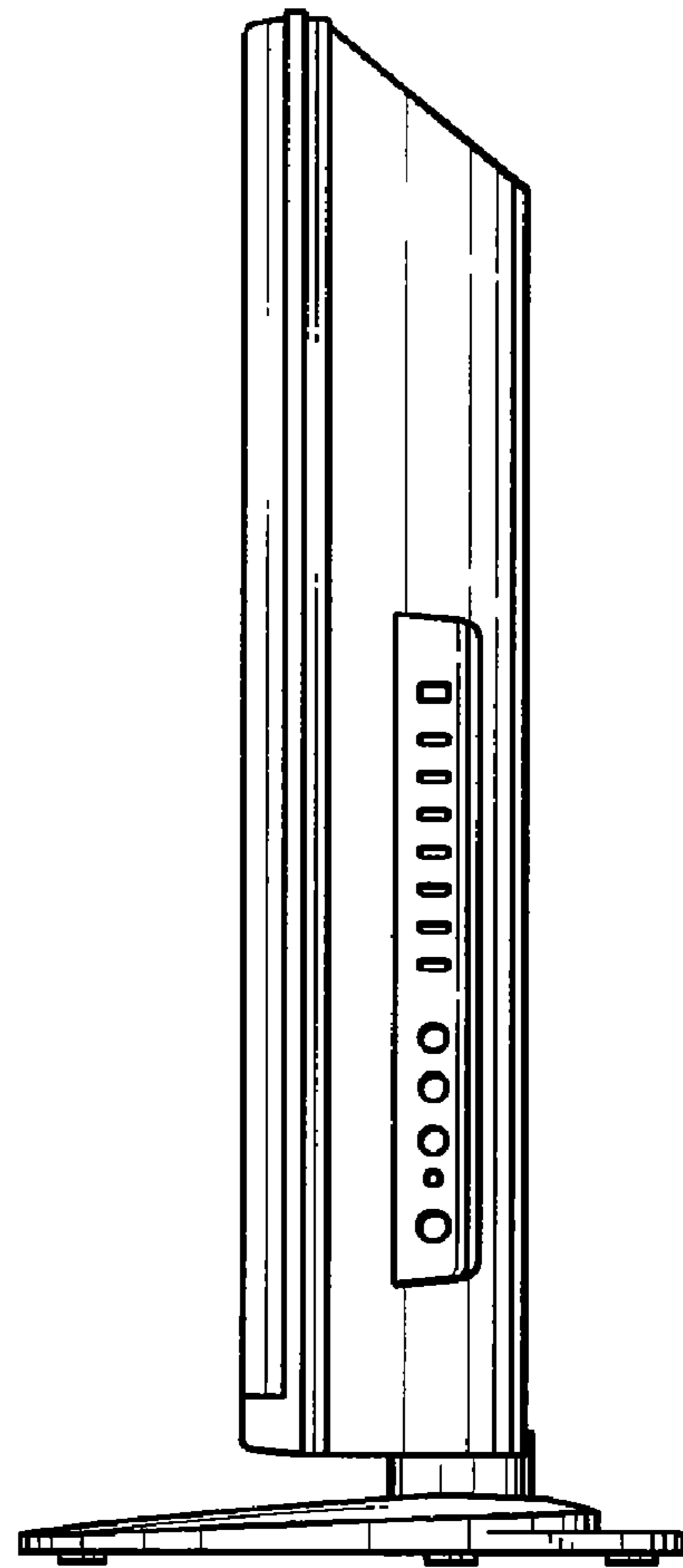


FIG. 7