



US00D574337S

(12) **United States Design Patent**
Panaccione et al.

(10) **Patent No.:** **US D574,337 S**

(45) **Date of Patent:** **** Aug. 5, 2008**

(54) **LED PACKAGE**

(75) Inventors: **Paul Panaccione**, Newburyport, MA (US); **Christian Hoepfner**, North Andover, MA (US); **Georgia Chmielewski**, Plaistow, NH (US)

(73) Assignee: **Luminus Devices, Inc.**, Billerica, MA (US)

(**) Term: **14 Years**

(21) Appl. No.: **29/285,459**

(22) Filed: **Mar. 29, 2007**

(51) **LOC (8) Cl.** **13-03**

(52) **U.S. Cl.** **D13/180**

(58) **Field of Classification Search** D13/180;
D26/2; 257/79, 80, 81, 88, 89, 95, 98, 99,
257/100; 313/483, 498, 500; 362/555, 800
See application file for complete search history.

(56) **References Cited**

U.S. PATENT DOCUMENTS

D275,279	S *	8/1984	Littlefield et al.	D13/147
5,631,190	A *	5/1997	Negley	438/33
5,646,786	A *	7/1997	Kurtz et al.	359/637
5,724,062	A *	3/1998	Hunter	345/102
5,880,930	A *	3/1999	Wheaton	361/690
5,952,680	A *	9/1999	Strite	257/88
6,385,048	B2 *	5/2002	Mellberg et al.	361/704
6,442,045	B1 *	8/2002	Goodwin et al.	361/816
6,515,858	B2 *	2/2003	Rodriguez et al.	361/695
6,522,063	B2 *	2/2003	Chen et al.	313/498
6,534,798	B1 *	3/2003	Scherer et al.	257/98
6,731,354	B2 *	5/2004	Menard	349/58
D494,288	S *	8/2004	Matsui et al.	D26/2
6,914,261	B2 *	7/2005	Ho	257/79
7,081,645	B2	7/2006	Chen et al.		
7,105,861	B2	9/2006	Erchak et al.		
7,170,100	B2	1/2007	Erchak et al.		
D539,760	S *	4/2007	Sumitani	D13/180
7,210,839	B2 *	5/2007	Jung et al.	362/612
7,322,732	B2 *	1/2008	Negley et al.	362/612

2003/0086245	A1 *	5/2003	Wakabayashi et al.	361/719
2004/0105279	A1 *	6/2004	Liu et al.	362/555
2006/0055309	A1 *	3/2006	Ono et al.	313/492
2006/0089011	A1 *	4/2006	Marshall et al.	439/65
2006/0091416	A1 *	5/2006	Yan	257/99
2006/0239037	A1 *	10/2006	Repetto et al.	362/800
2007/0045640	A1	3/2007	Erchak et al.		
2007/0047228	A1 *	3/2007	Thompson et al.	362/237
2007/0085082	A1 *	4/2007	Erchak et al.	257/79
2007/0090375	A1 *	4/2007	Kobilke	257/89
2007/0115556	A1	5/2007	Erchak et al.		
2007/0127225	A1 *	6/2007	Slaton	361/807
2007/0189007	A1 *	8/2007	Nishimoto et al.	362/227
2007/0267642	A1	11/2007	Erchak et al.		

OTHER PUBLICATIONS

U.S. Appl. No. 29/285,434, filed Mar. 29, 2007, Panaccione et al.
U.S. Appl. No. 29/285,460, filed Mar. 29, 2007, Panaccione et al.
U.S. Appl. No. 29/285,461, filed Mar. 29, 2007, Panaccione et al.
U.S. Appl. No. 29/285,427, filed Mar. 29, 2007, Panaccione et al.

(Continued)

Primary Examiner—Selina Sikder

(74) *Attorney, Agent, or Firm*—Wolf, Greenfield & Sacks, P.C.

(57) **CLAIM**

The ornamental design for a LED package, as shown and described.

DESCRIPTION

FIG. 1 is a side, top, perspective view of the LED package with all elements except for an LED frame including an array of LEDs shown in phantom;

FIG. 2 is a top view thereof;

FIG. 3 is a right side view;

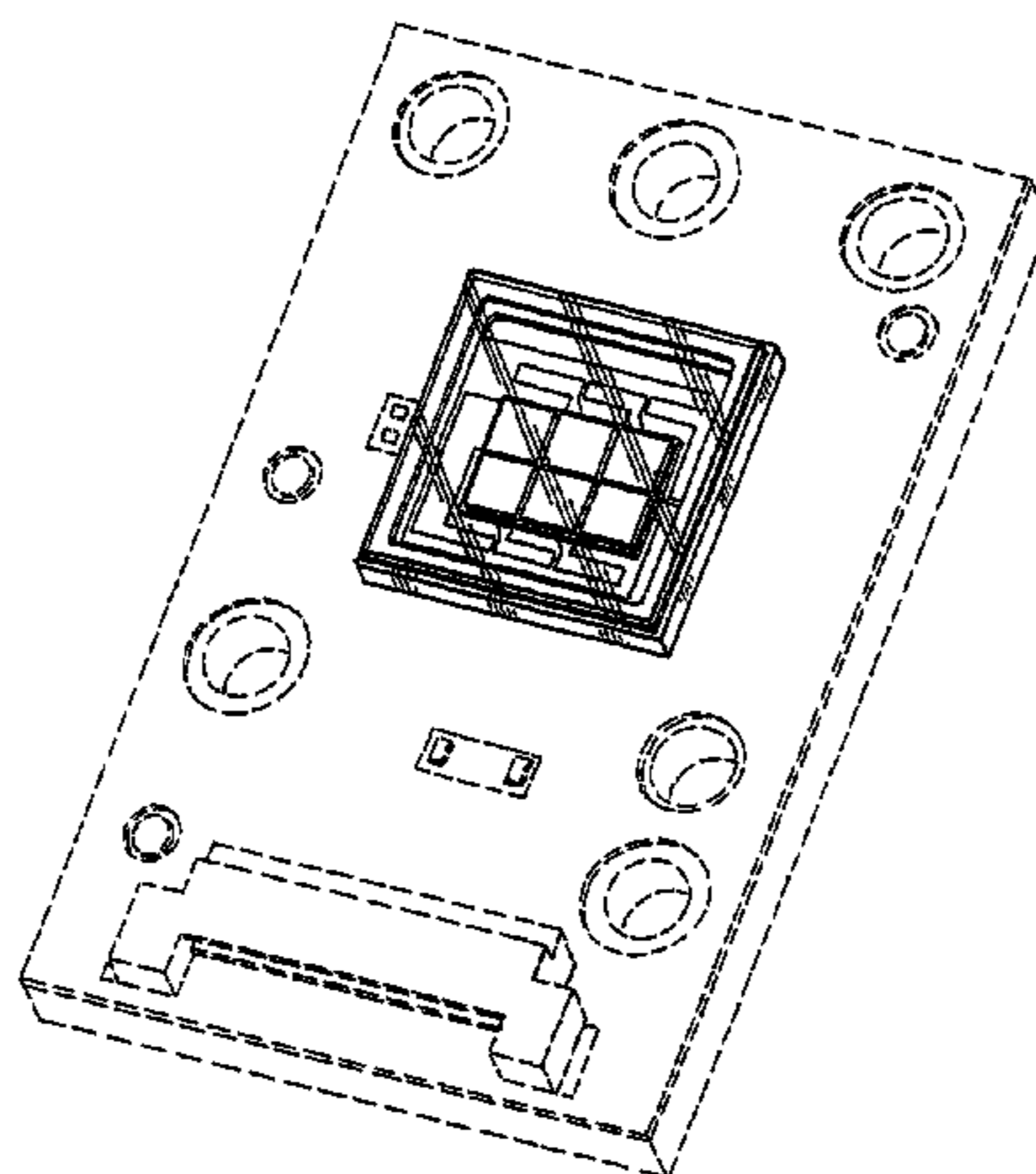
FIG. 4 is a left side view;

FIG. 5 is a front view; and,

FIG. 6 is rear view.

The broken lines represent unclaimed subject matter.

1 Claim, 2 Drawing Sheets



OTHER PUBLICATIONS

U.S. Appl. No. 29/285,470, filed Mar. 29, 2007, Karlicek, Jr. et al.
U.S. Appl. No. 29/285,431, filed Mar. 29, 2007, Karlicek, Jr. et al.
U.S. Appl. No. 29/285,469, filed Mar. 29, 2007, Karlicek, Jr. et al.
U.S. Appl. No. 29/285,430, filed Mar. 29, 2007, Panaccione et al.

U.S. Appl. No. 29/285,429, filed Mar. 29, 2007, Panaccione et al.
U.S. Appl. No. 29/285,428, filed Mar. 29, 2007, Panaccione et al.
U.S. Appl. No. 29/285,433, filed Mar. 29, 2007, Panaccione et al.
U.S. Appl. No. 29/285,425, filed Mar. 29, 2007, Panaccione et al.

* cited by examiner

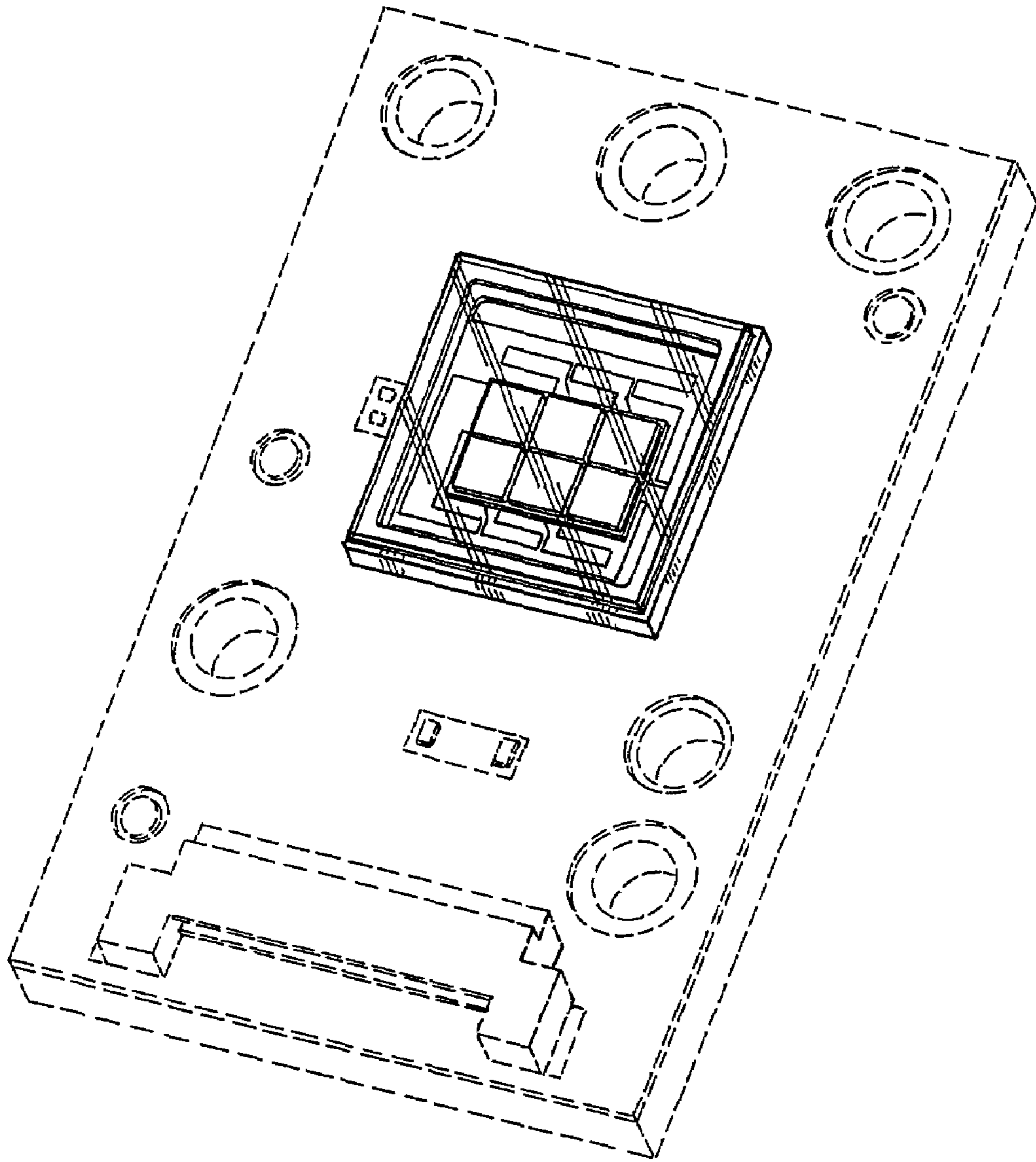


Fig. 1

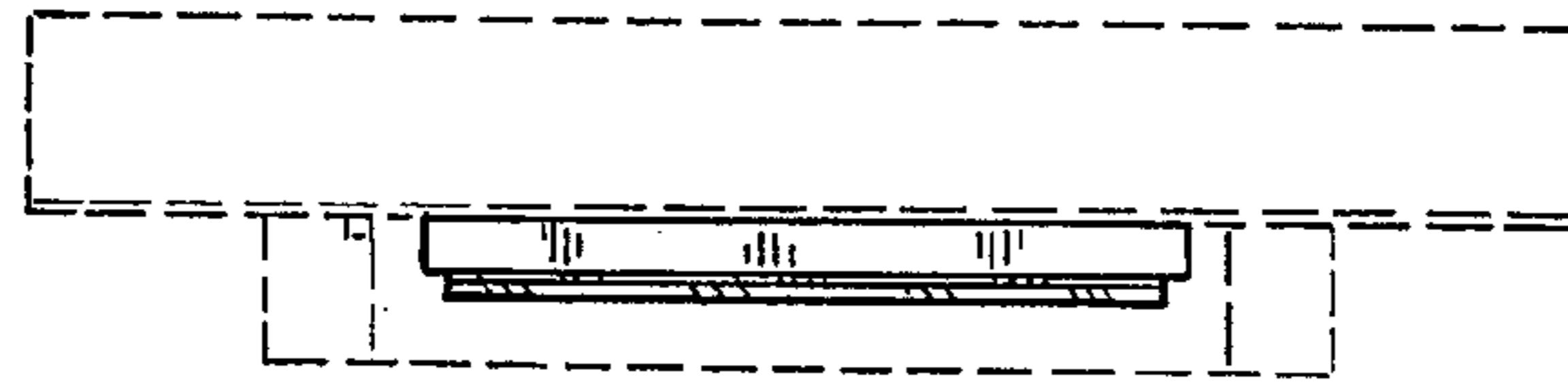


Fig. 5

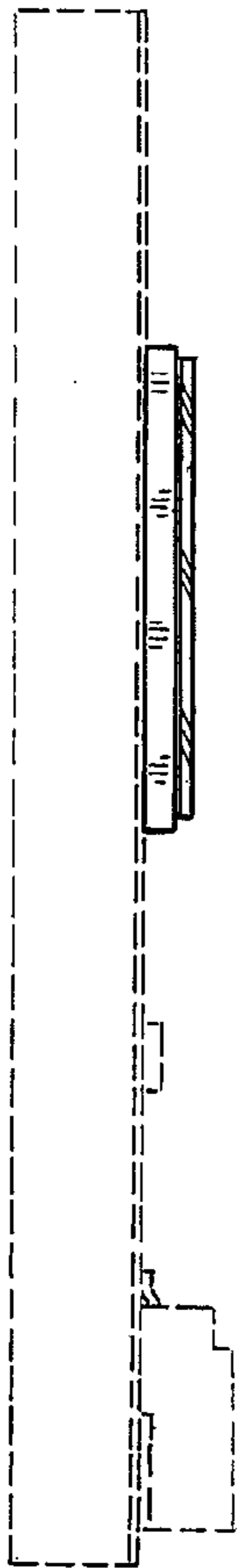


Fig. 3

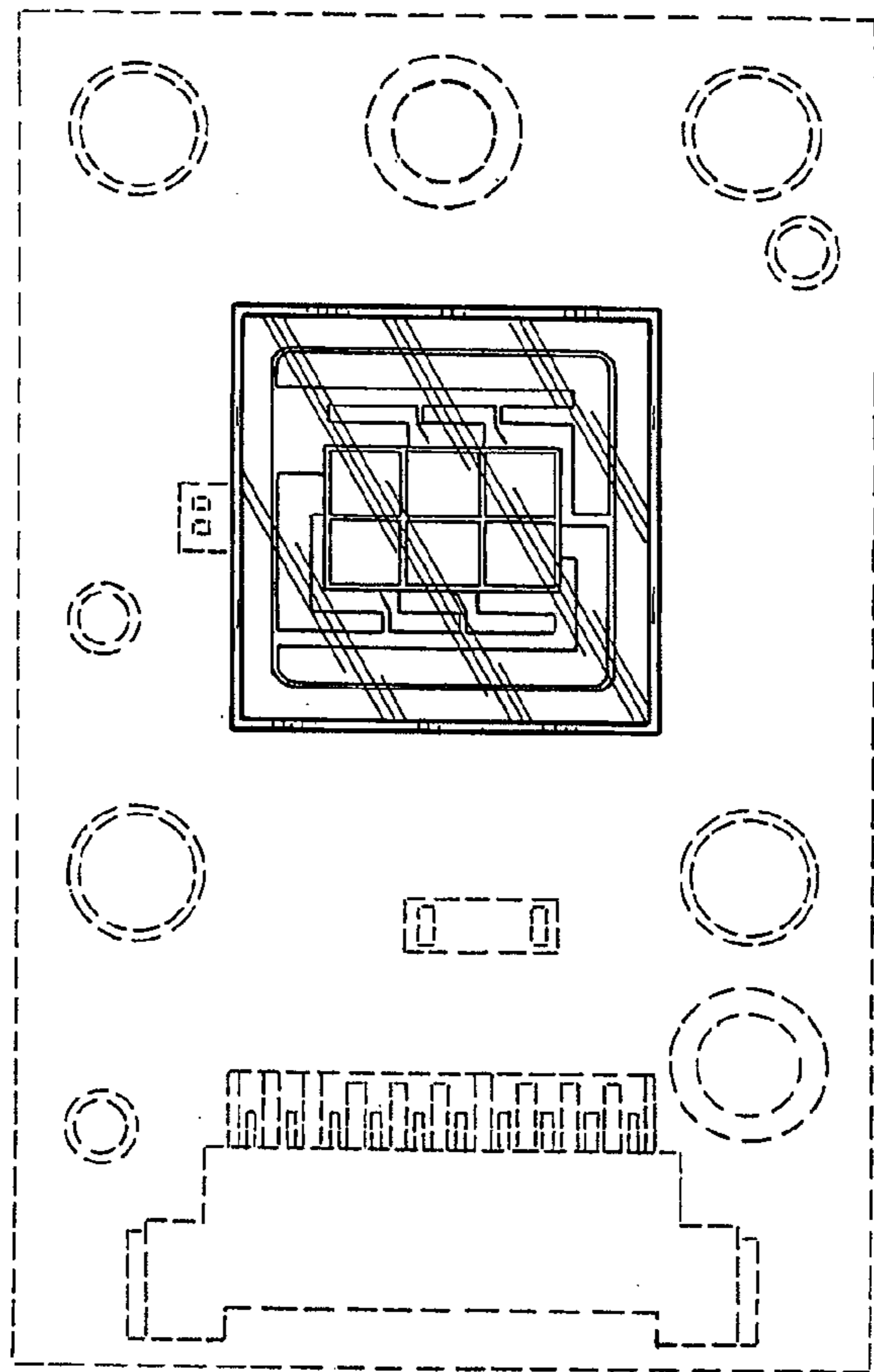


Fig. 2

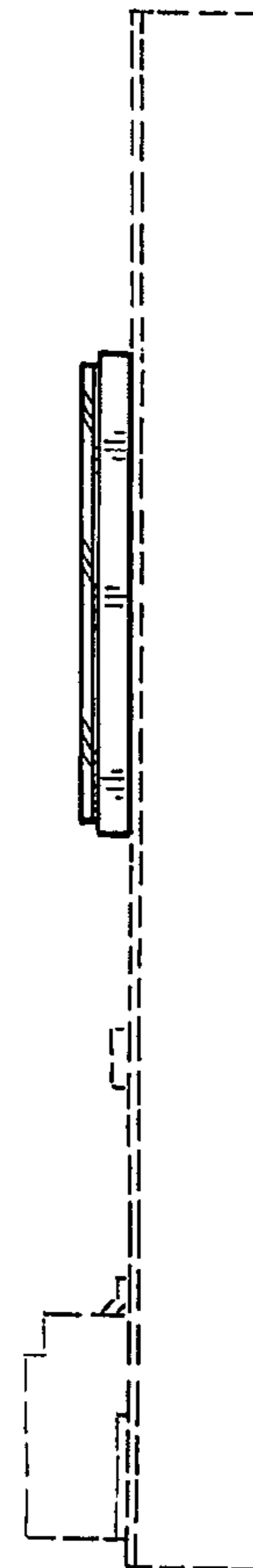


Fig. 4

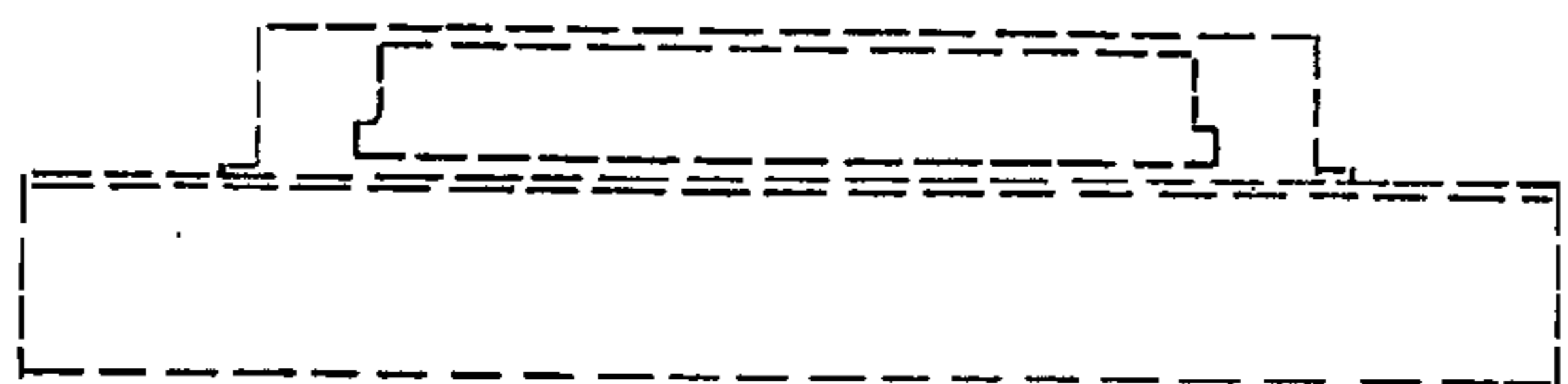


Fig. 6