



US00D574332S

(12) **United States Design Patent**
Filban et al.

(10) **Patent No.:** **US D574,332 S**
(45) **Date of Patent:** **** Aug. 5, 2008**

(54) **DEVICE USER-CONTROL-INTERFACE WITH A DETACHABLE DISPLAY**

(74) *Attorney, Agent, or Firm*—Stephen B. Parker; WATCHSTONE P+D, pllc

(75) Inventors: **Thomas J. Filban**, Magnolia, TX (US);
Mark D. Rayner, Houston, TX (US)

(57) **CLAIM**

The ornamental design for a device user-control-interface with a detachable display, as shown and described.

(73) Assignee: **Toshiba International Corp.**, Houston, TX (US)

DESCRIPTION

(**) Term: **14 Years**

FIG. 1 is a front perspective view of a first embodiment of a device user-control interface with a detachable display showing our new design;

(21) Appl. No.: **29/247,322**

FIG. 2 is a right side view of all embodiments thereof;

(22) Filed: **Jun. 9, 2006**

FIG. 3 is a left side view of all embodiments thereof;

(51) **LOC (8) Cl.** **13-03**

FIG. 4 is a front perspective view thereof, describing a region wherein a keypad may be installed;

(52) **U.S. Cl.** **D13/162**

FIG. 5 is a front perspective view of a second embodiment thereof;

(58) **Field of Classification Search** D13/158,
D13/162, 164, 168; D10/104; 700/17, 18,
700/22, 83; 361/601, 622, 627, 628, 679,
361/680, 681, 728

See application file for complete search history.

FIG. 6 is a front perspective view thereof, describing a region wherein a keypad may be installed;

(56) **References Cited**

U.S. PATENT DOCUMENTS

D222,270 S *	10/1971	Gennarao et al.	D14/496
D297,128 S *	8/1988	Guscott et al.	D10/106
D325,902 S *	5/1992	Hudson et al.	D13/184
D338,673 S *	8/1993	Lewis	D14/218
D408,017 S *	4/1999	Matsuoka	D13/168
D506,476 S *	6/2005	Andre et al.	D14/496
D512,026 S *	11/2005	Nurmi et al.	D13/162
D513,497 S *	1/2006	Whitehouse	D13/162
D548,196 S *	8/2007	Bonnaud	D13/168
D548,744 S *	8/2007	Andre et al.	D14/496
D552,086 S *	10/2007	Johnson et al.	D14/217

* cited by examiner

FIG. 7 is a front perspective view a third embodiment thereof, describing regions wherein a keypad and a display may be installed;

FIG. 8 is a front perspective view a fourth embodiment thereof, describing regions wherein a keypad and a display may be installed;

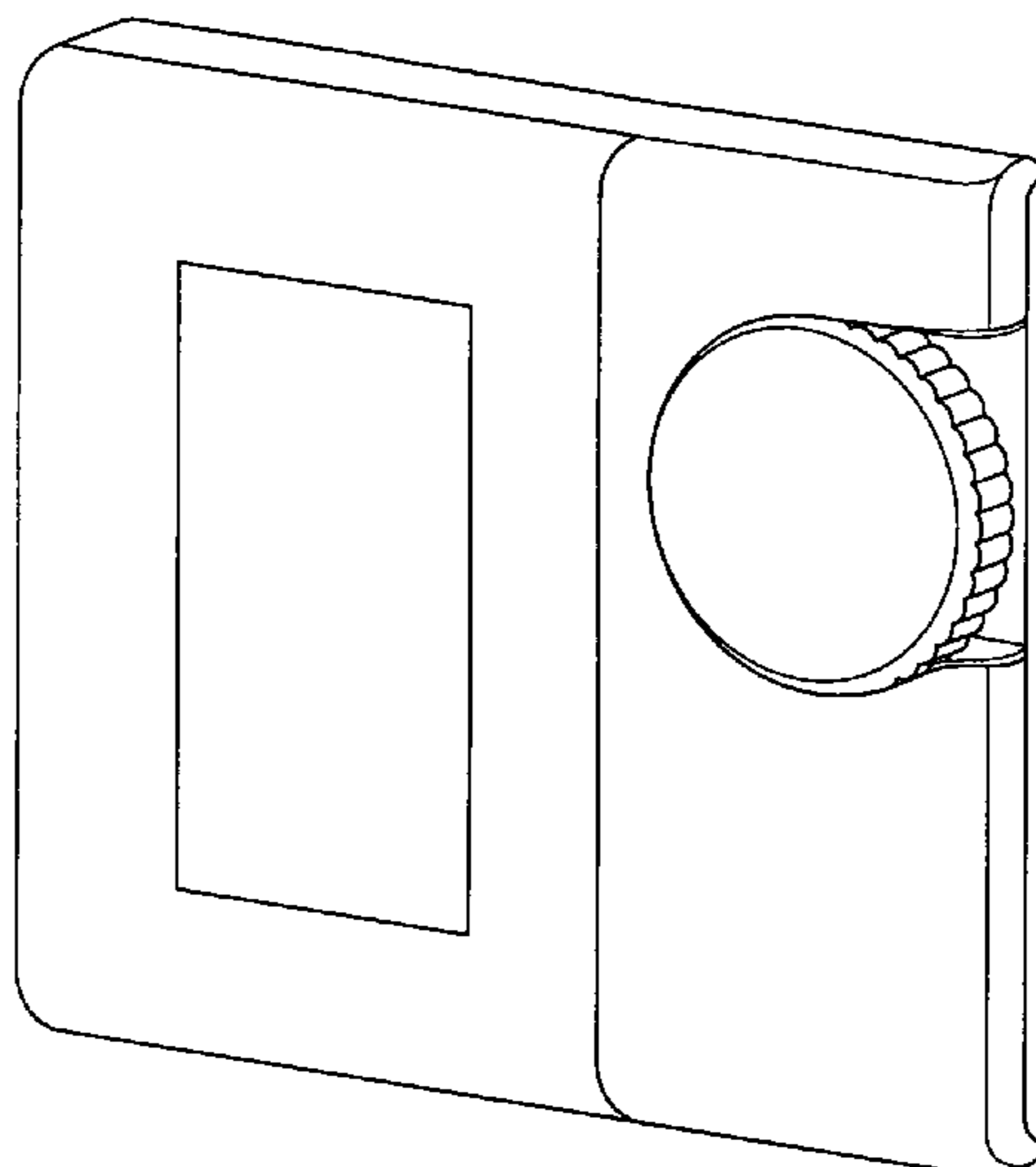
FIG. 9 is a front perspective view a fifth embodiment thereof, describing a region wherein a display may be installed; and,

FIG. 10 is a front perspective view a sixth embodiment thereof, describing regions wherein a keypad and a display may be installed.

The broken line showing in the figure drawings is included for illustrative purposes only and forms no part of the claimed design.

Primary Examiner—Daniel Bui
Assistant Examiner—Thomas J Johannes

1 Claim, 4 Drawing Sheets



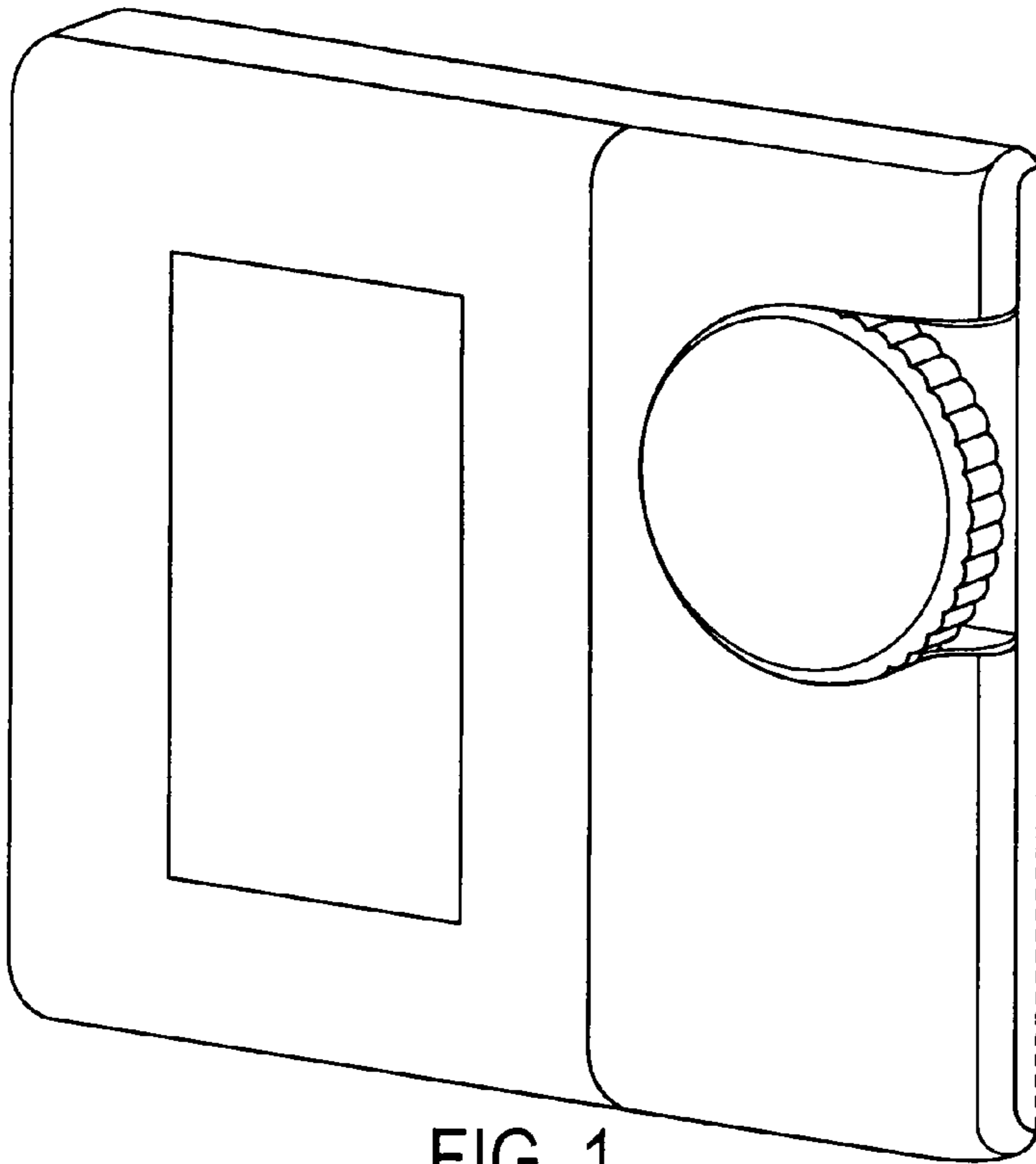


FIG. 1

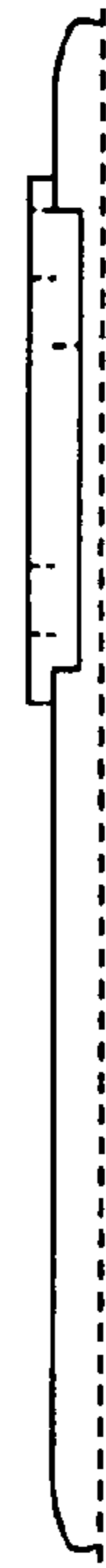


FIG. 2



FIG. 3

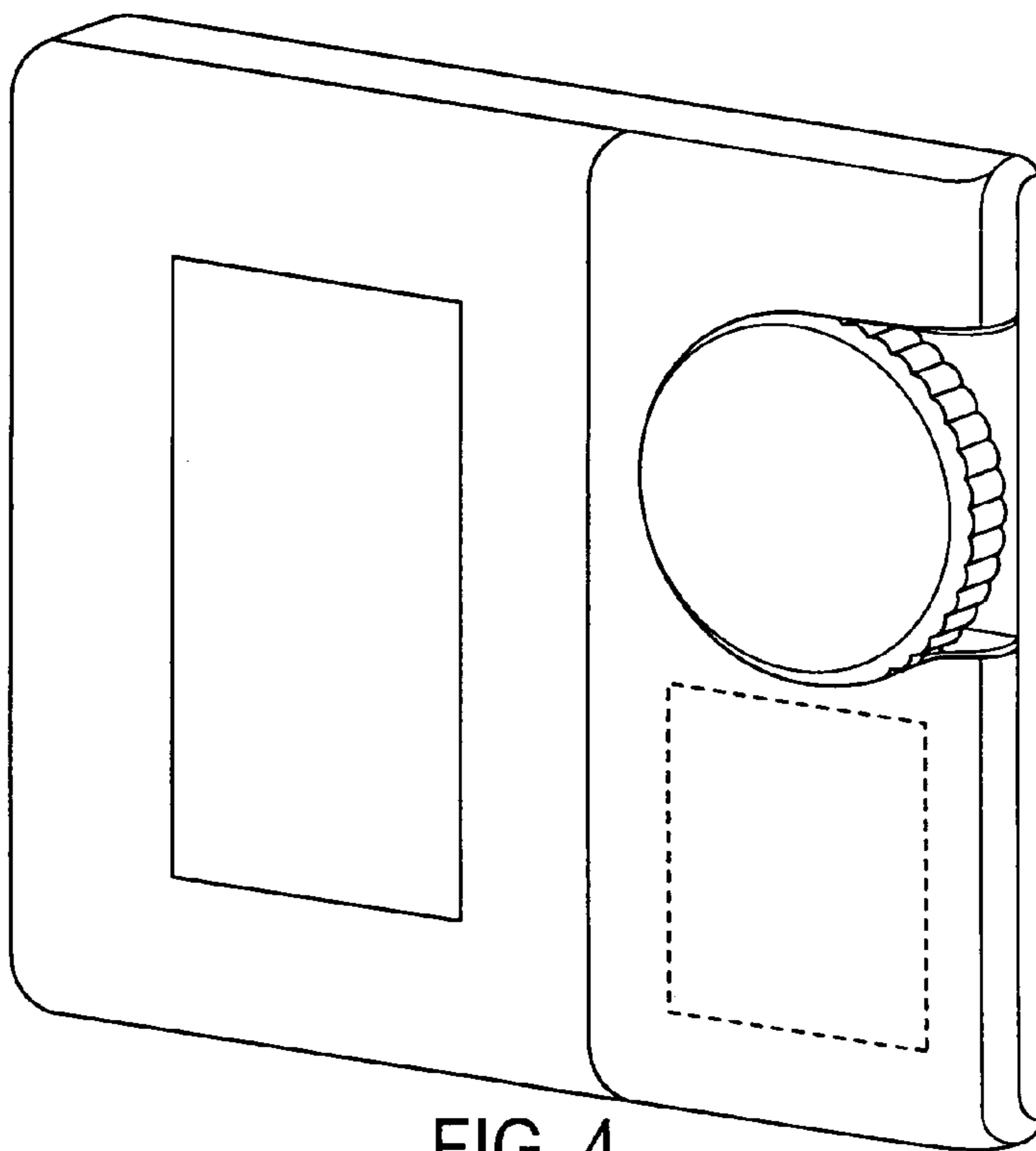


FIG. 4

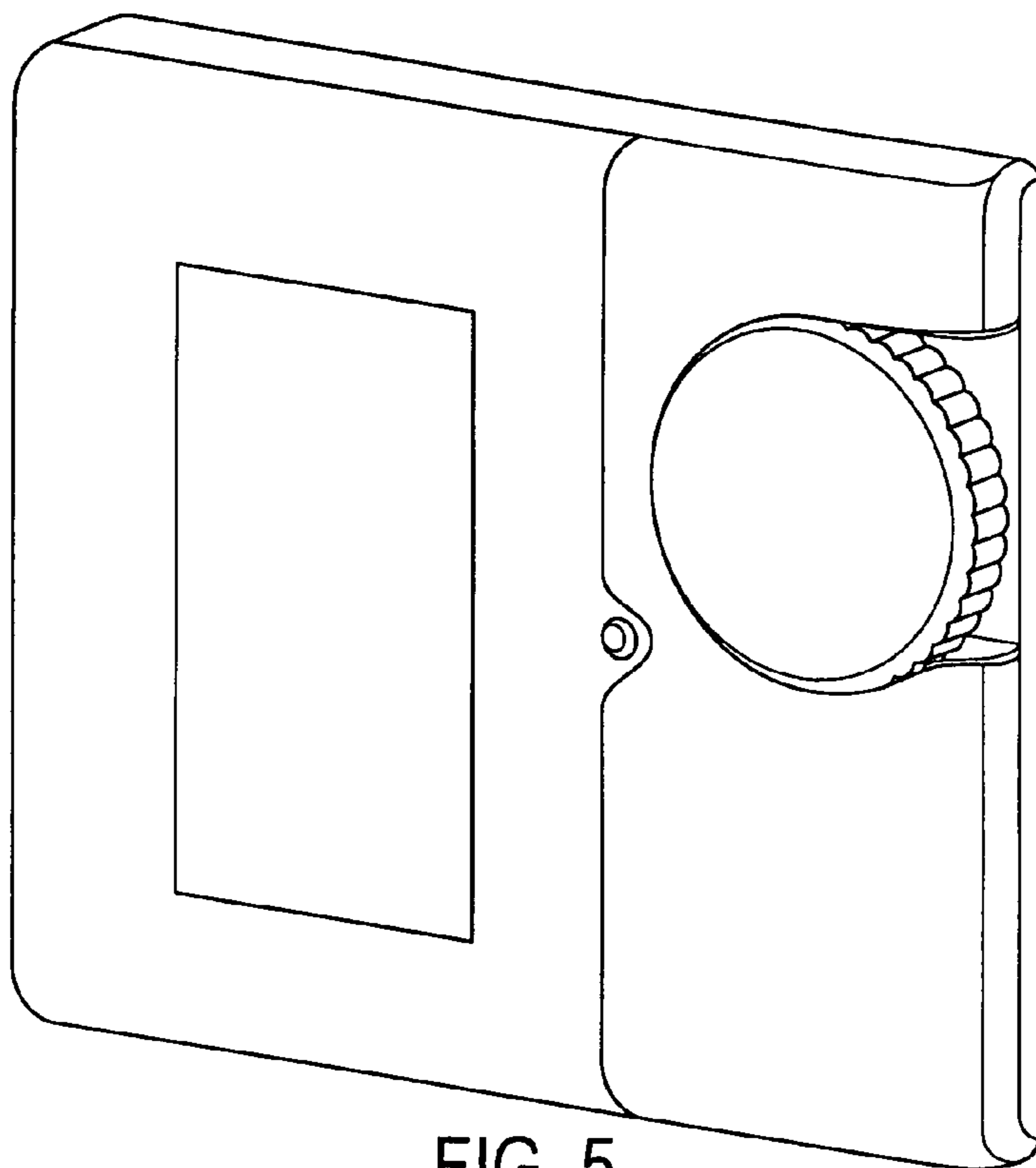


FIG. 5

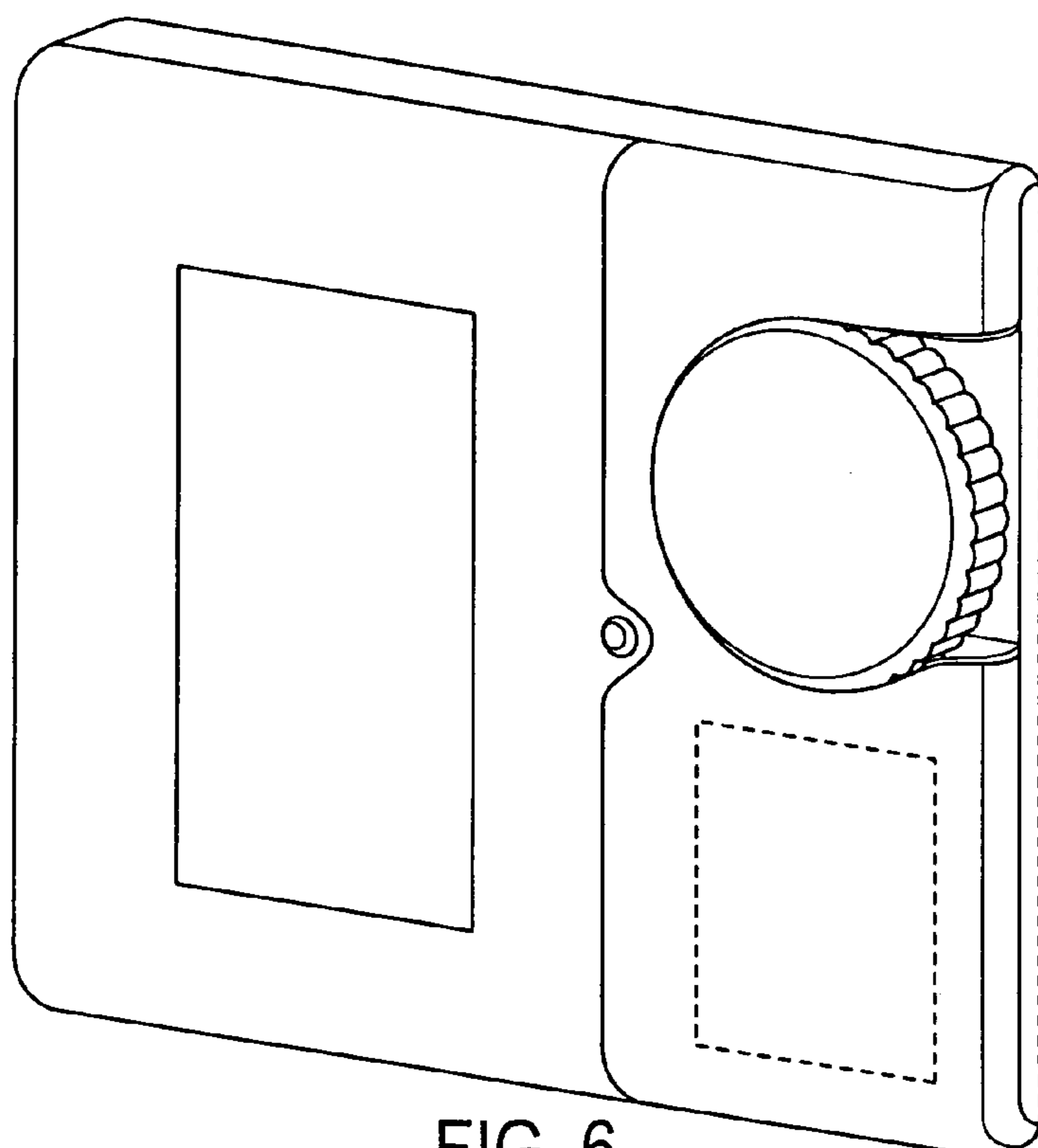


FIG. 6

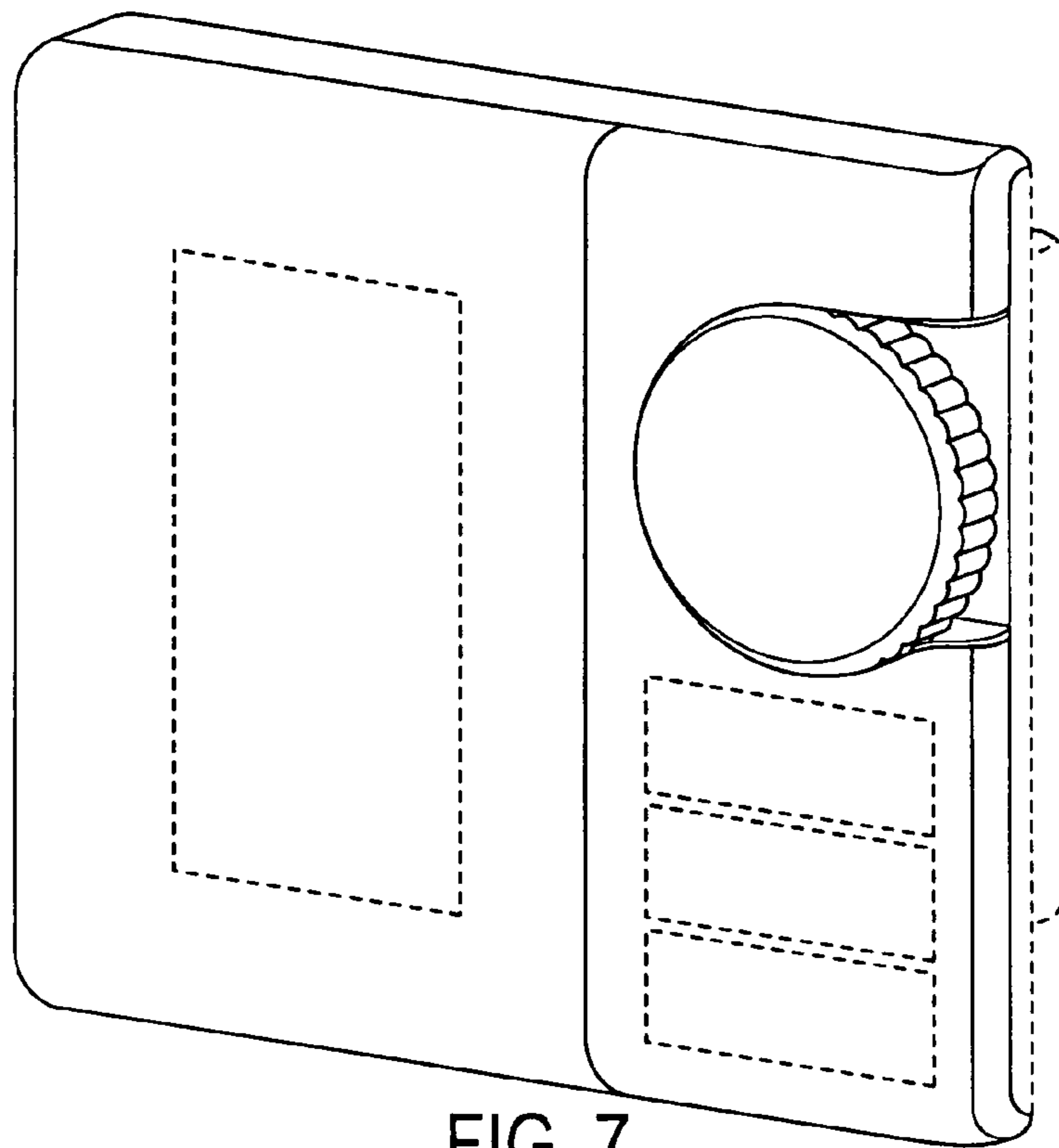


FIG. 7

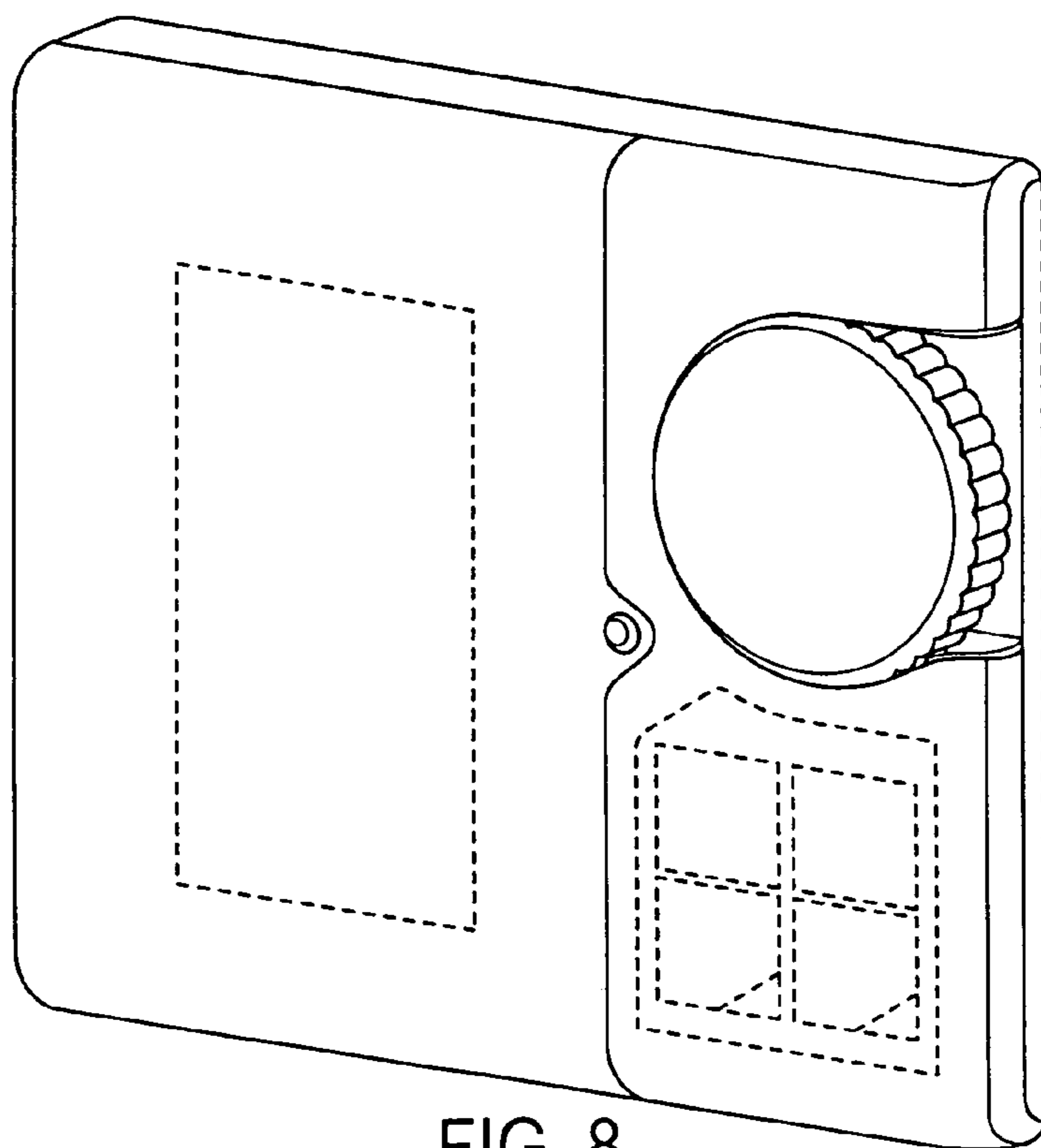


FIG. 8

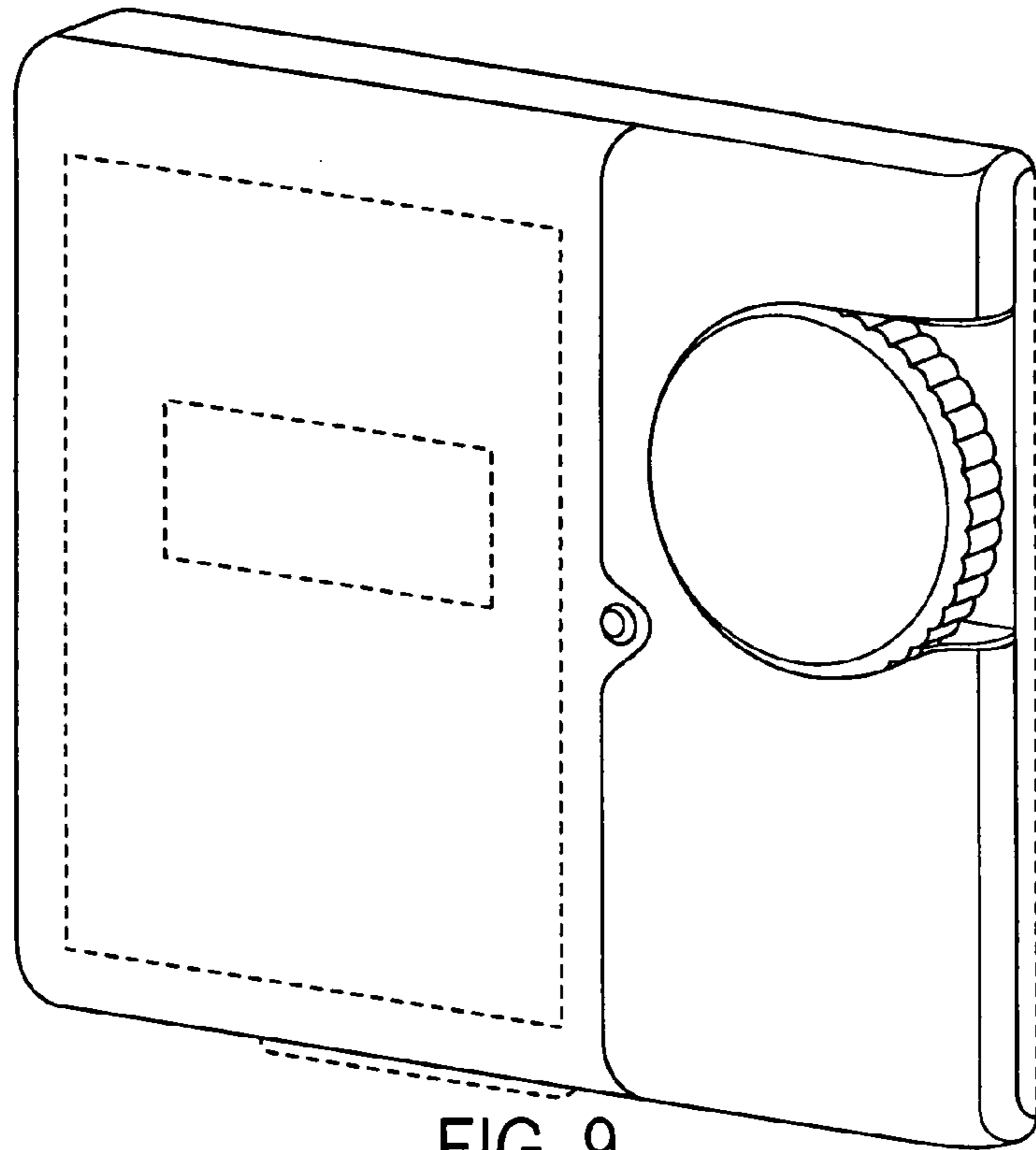


FIG. 9

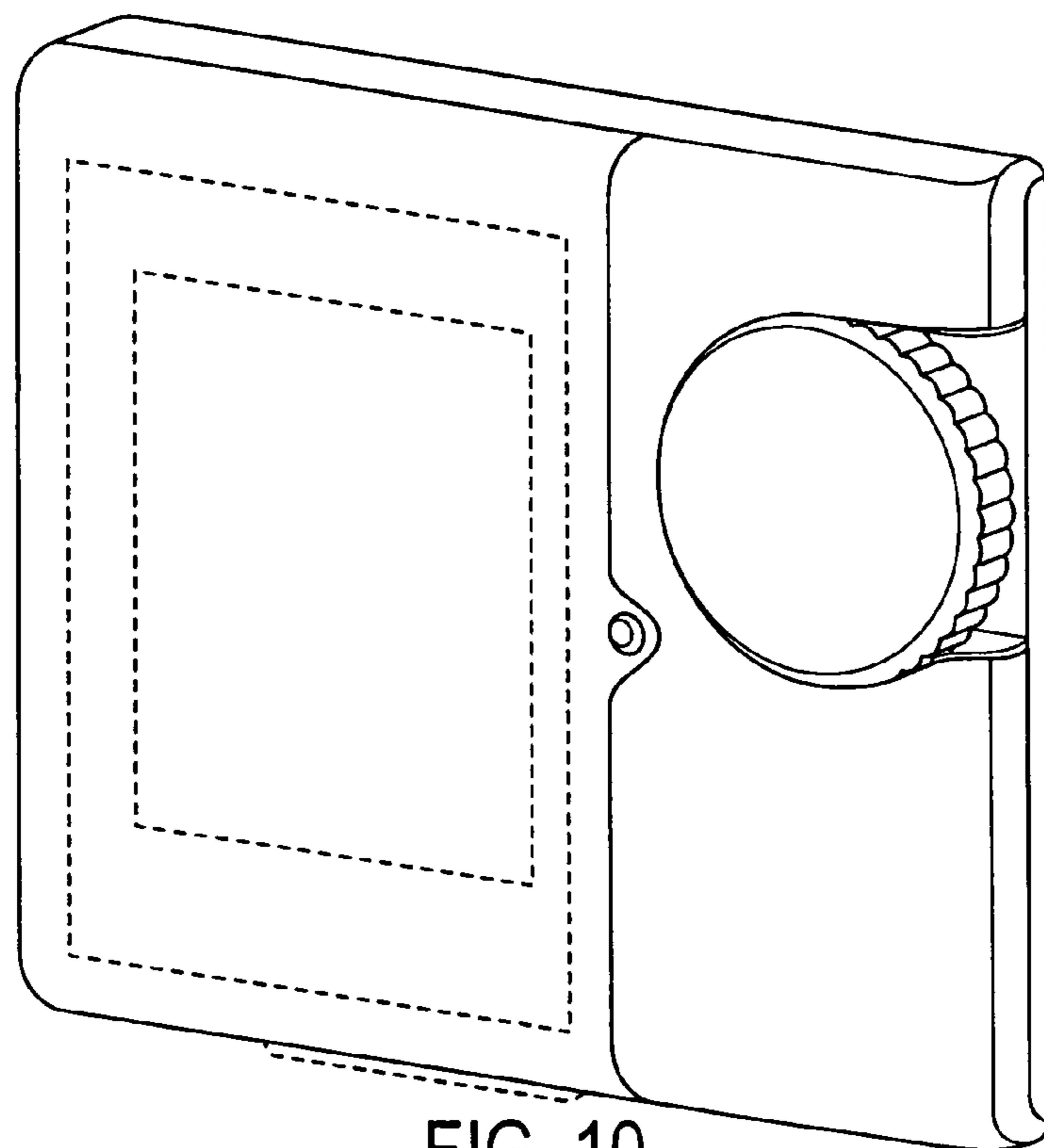


FIG. 10