



US00D574331S

(12) **United States Design Patent**  
**Bedggood**

(10) **Patent No.:** **US D574,331 S**

(45) **Date of Patent:** **\*\* Aug. 5, 2008**

(54) **SWITCH**

(75) **Inventor:** **Luke Bedggood**, Surbiton (GB)

(73) **Assignee:** **Albright International Limited**,  
Surbiton, Surrey (GB)

(\*\*) **Term:** **14 Years**

(21) **Appl. No.:** **29/292,644**

(22) **Filed:** **Oct. 22, 2007**

(30) **Foreign Application Priority Data**

Apr. 23, 2007 (EM) ..... 000711825-0002

(51) **LOC (8) Cl.** ..... **13-03**

(52) **U.S. Cl.** ..... **D13/158**

(58) **Field of Classification Search** ..... D13/158,  
D13/171; 200/341, 302.1, 524  
See application file for complete search history.

(56) **References Cited**

**U.S. PATENT DOCUMENTS**

- D183,430 S \* 8/1958 Schmidt ..... D13/171
- 3,624,328 A \* 11/1971 Hansen ..... 200/524
- D266,084 S \* 9/1982 Colavecchio ..... D13/158
- D288,315 S \* 2/1987 Nelson ..... D13/158
- 4,965,420 A \* 10/1990 Phillips et al. .... 200/341
- 5,345,050 A \* 9/1994 Branch et al. .... 200/341

- 6,144,000 A \* 11/2000 Webb ..... 200/302.1
- 6,326,572 B1 \* 12/2001 Yu ..... 200/524
- D511,504 S \* 11/2005 Sang ..... D13/171
- 2002/0046938 A1 \* 4/2002 Donofrio et al. .... 200/302.1
- 2002/0125119 A1 \* 9/2002 Cole et al. .... 200/341

\* cited by examiner

*Primary Examiner*—Daniel Bui

*Assistant Examiner*—Thomas J Johannes

(74) *Attorney, Agent, or Firm*—RatnerPrestia

(57) **CLAIM**

The ornamental design for a switch, as shown and described.

**DESCRIPTION**

FIG. 1 is a top plan view of the switch showing my new design.

FIG. 2 is a bottom plan view thereof.

FIG. 3 is a front view thereof.

FIG. 4 is a rear view thereof.

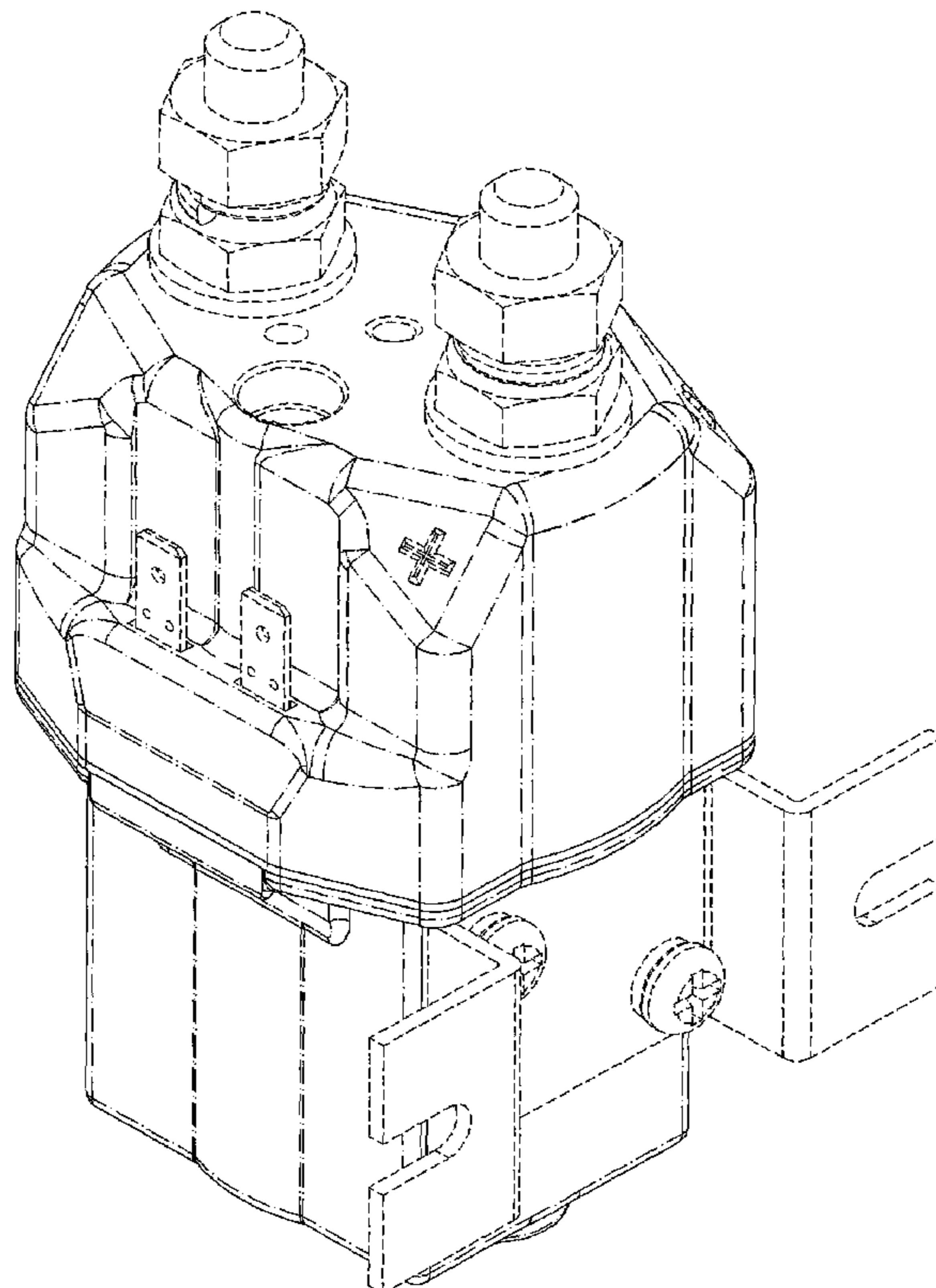
FIG. 5 is a left side view thereof.

FIG. 6 is a right side view thereof; and,

FIG. 7 is a perspective view thereof.

The broken lines are for illustration only and form no part of the claimed design.

**1 Claim, 7 Drawing Sheets**



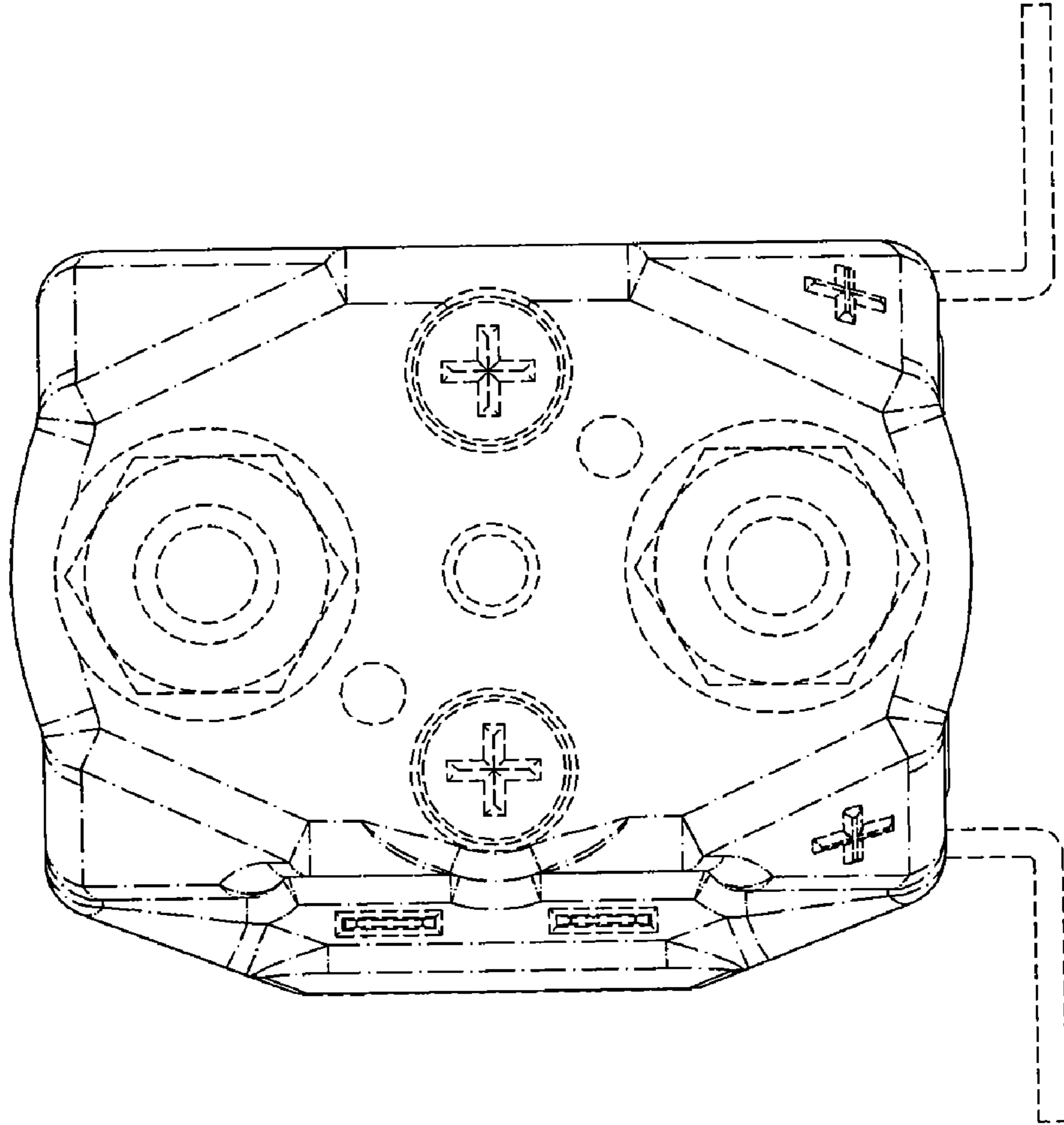


FIG. 1

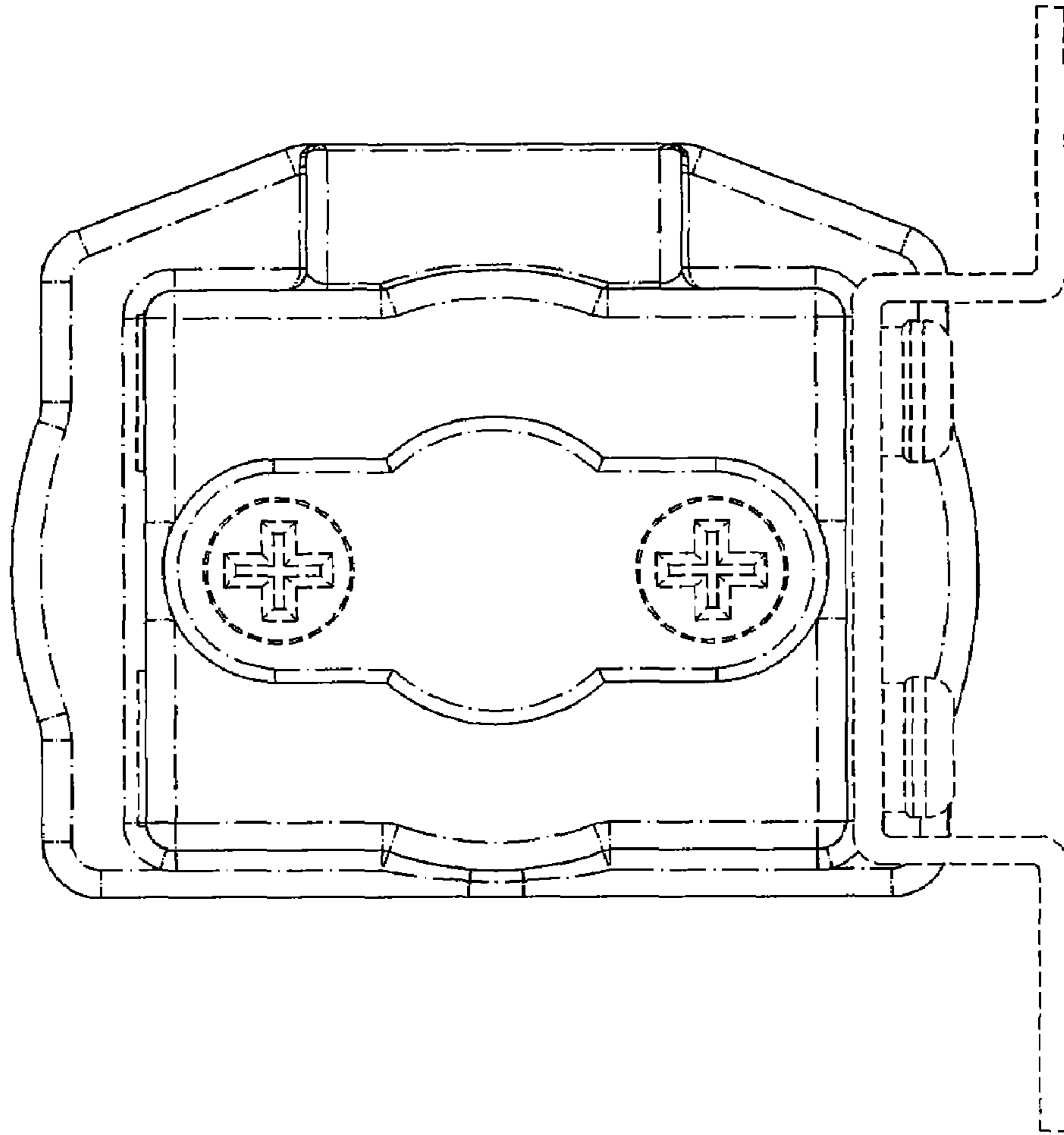


FIG. 2

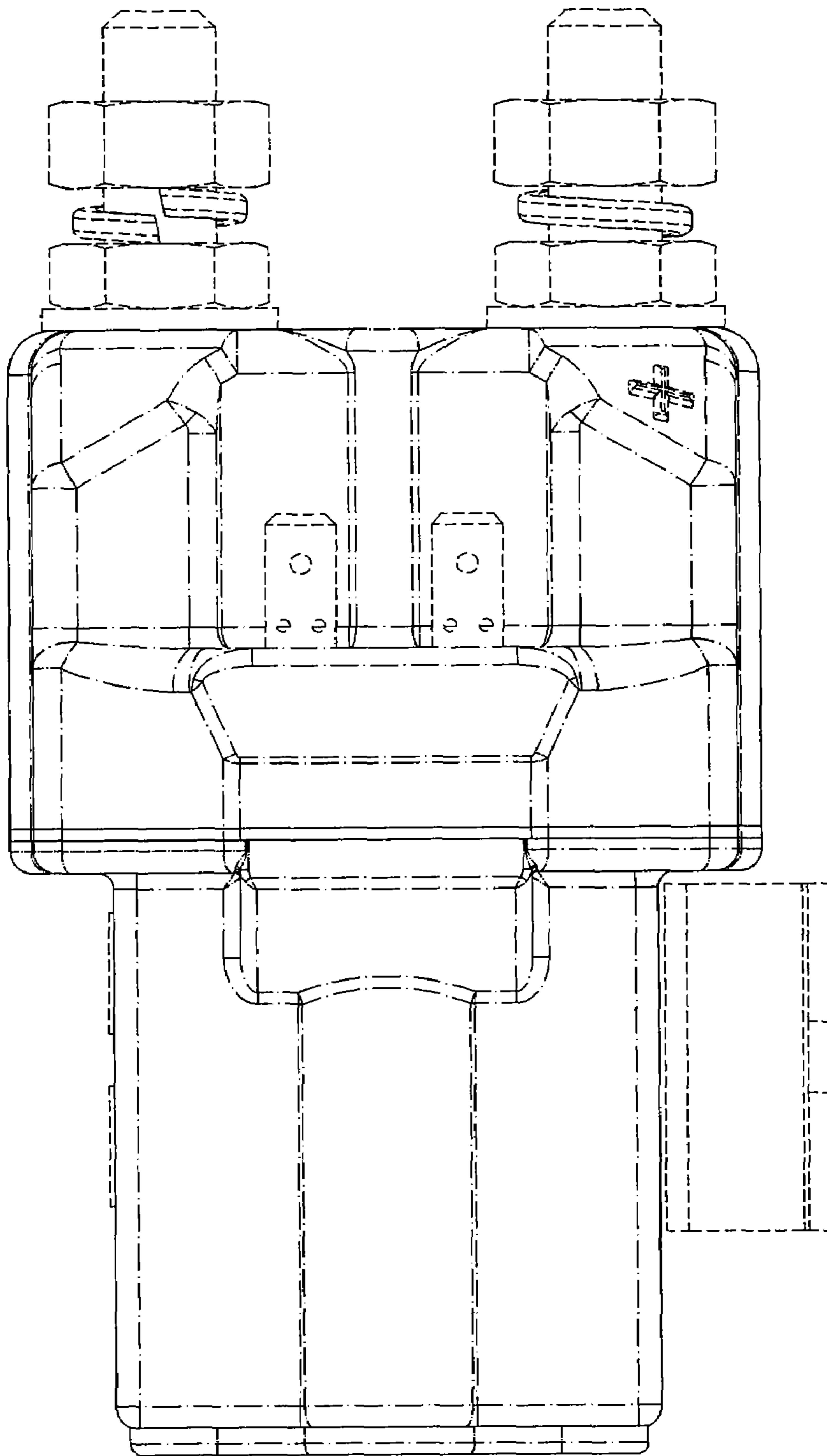


FIG. 3

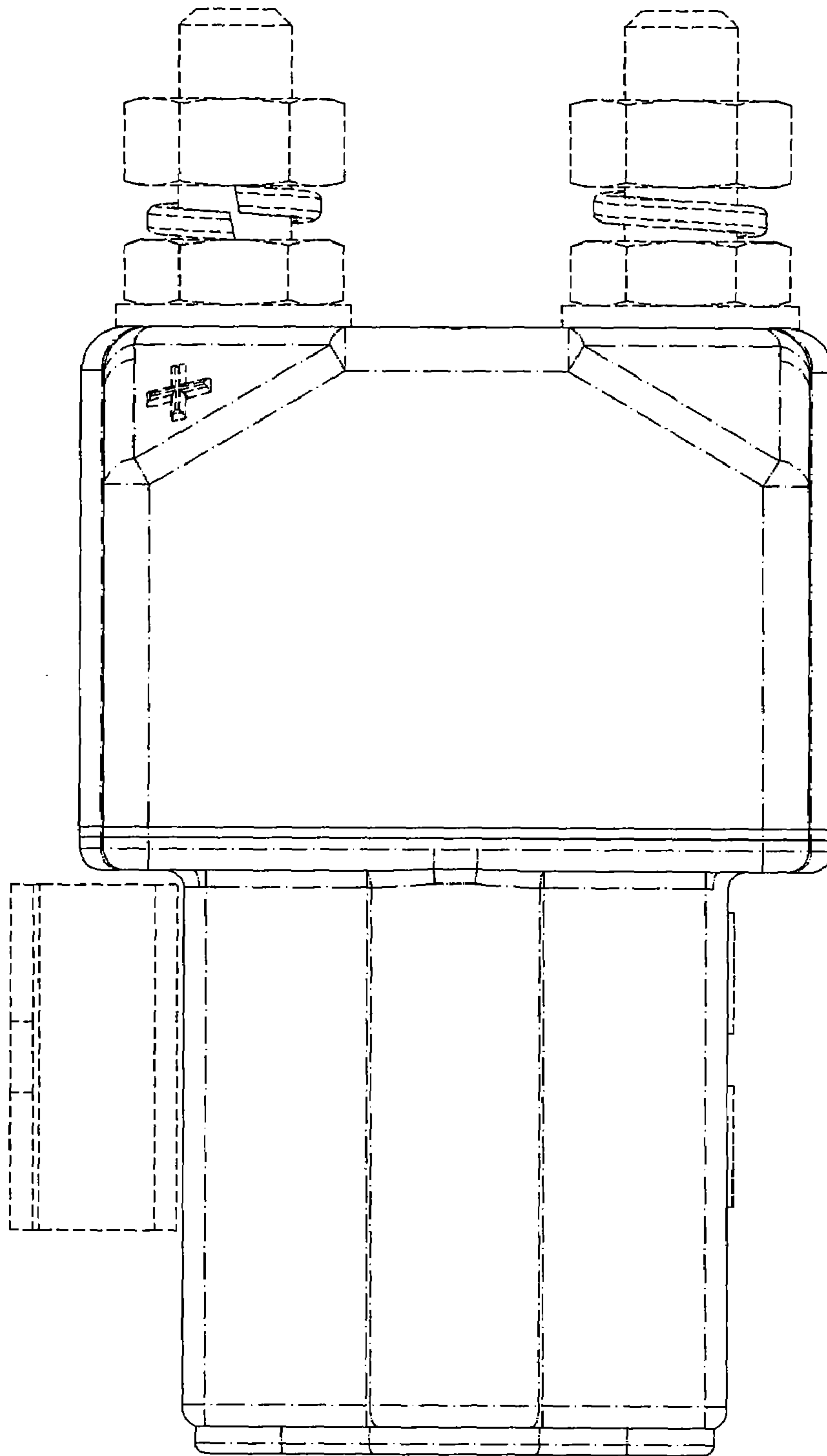


FIG. 4

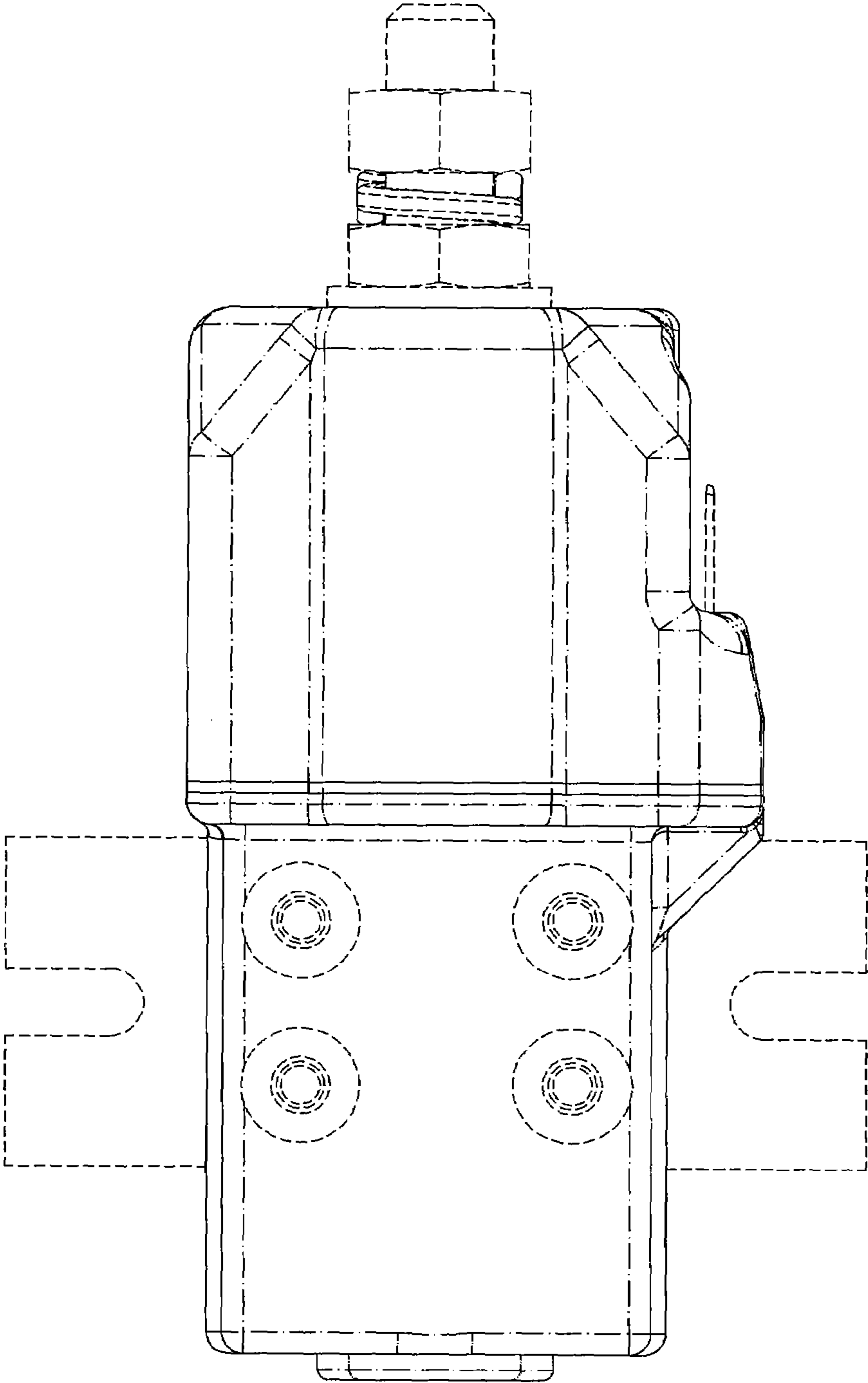


FIG. 5

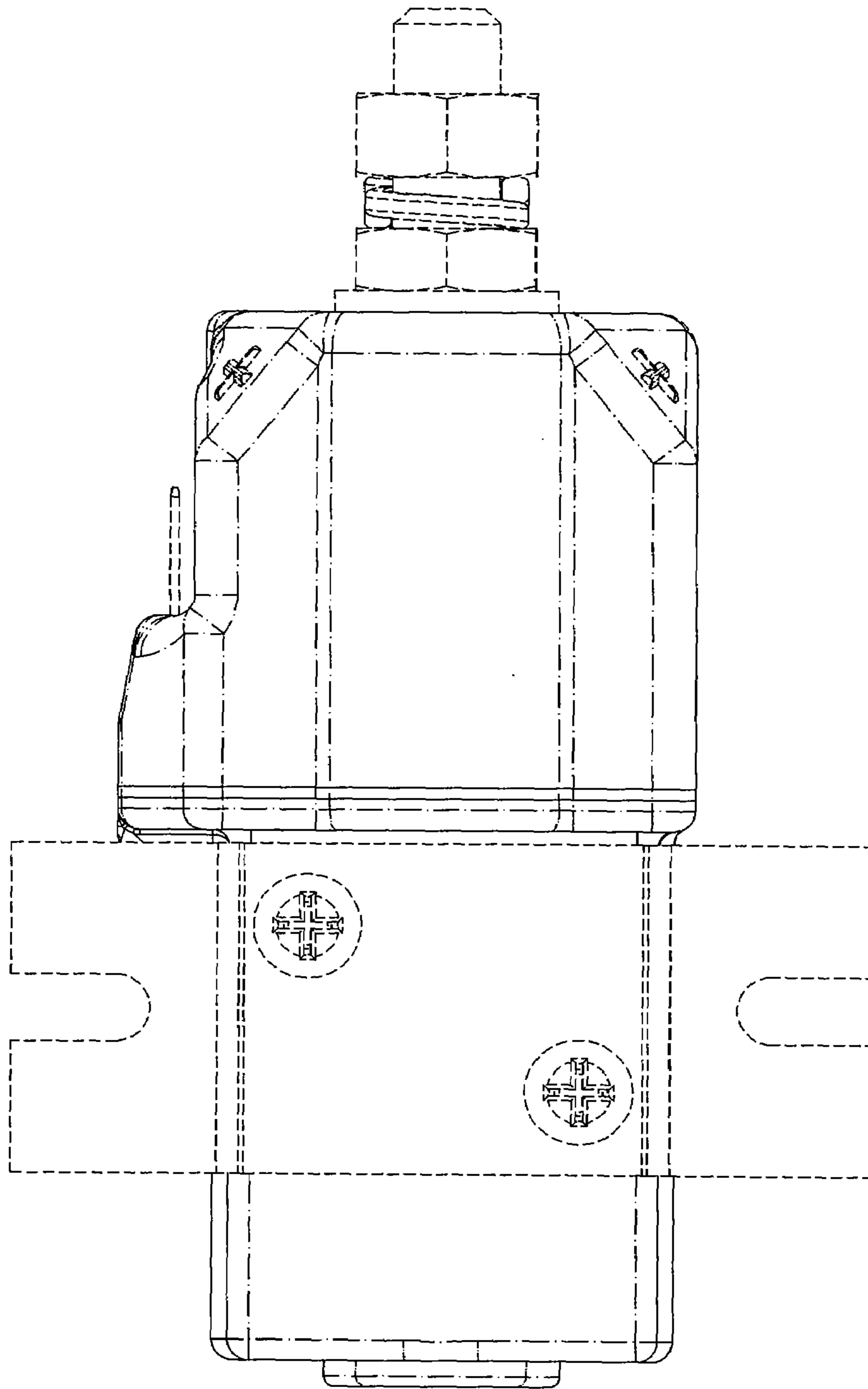


FIG. 6

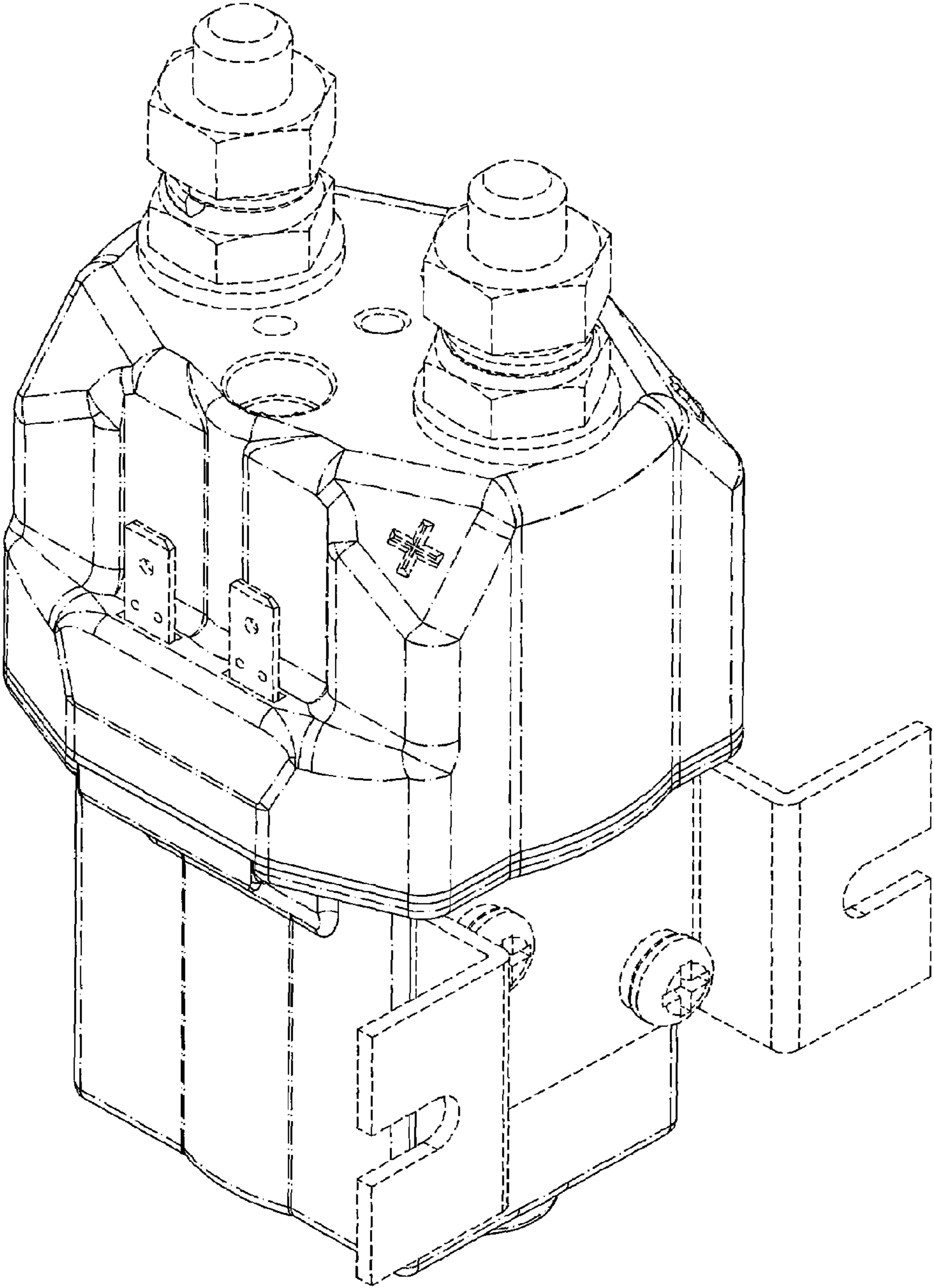


FIG. 7