



US00D574330S

(12) **United States Design Patent**  
**Matsuzaki et al.**

(10) **Patent No.:** **US D574,330 S**

(45) **Date of Patent:** **\*\* Aug. 5, 2008**

(54) **ELECTRICAL CONNECTOR**

(75) Inventors: **Shinichi Matsuzaki**, Kawasaki (JP);  
**Hitoshi Suzuki**, Kawasaki (JP)

(73) Assignee: **Iriso Electronics Co., Ltd.**,  
Kawasaki-shi (JP)

(\*\*) Term: **14 Years**

(21) Appl. No.: **29/277,697**

(22) Filed: **Mar. 7, 2007**

(30) **Foreign Application Priority Data**

Sep. 7, 2006 (JP) ..... 2006-023945

(51) **LOC (8) Cl.** ..... **13-03**

(52) **U.S. Cl.** ..... **D13/147**

(58) **Field of Classification Search** ..... D13/133,  
D13/146-147, 154, 184; D14/432-433,  
D14/435-436, 438; 439/64, 79, 108, 260,  
439/159-160, 325-326, 329, 394-395, 607-610,  
439/629-630

See application file for complete search history.

(56) **References Cited**

**U.S. PATENT DOCUMENTS**

D327,250 S \* 6/1992 Moriai et al. .... D13/147  
D327,251 S \* 6/1992 Moriai et al. .... D13/147  
D442,917 S \* 5/2001 Wu ..... D13/147  
D451,885 S \* 12/2001 Hisatomi et al. .... D13/147

D453,922 S \* 2/2002 Azuma et al. .... D13/147  
D485,532 S \* 1/2004 Lai ..... D13/147  
D500,741 S \* 1/2005 Fan ..... D13/147  
D518,443 S \* 4/2006 Kawahara et al. .... D13/147  
D526,277 S \* 8/2006 Wu ..... D13/147  
7,179,094 B2 \* 2/2007 Kawahara et al. .... 439/74  
D543,944 S \* 6/2007 Yamada et al. .... D13/147

\* cited by examiner

*Primary Examiner*—Daniel D Bui

(74) *Attorney, Agent, or Firm*—Lowe Hauptman Ham &  
Berner LLP

(57) **CLAIM**

The ornamental design for an electrical connector, as shown  
and described.

**DESCRIPTION**

FIG. 1 is a perspective view of an electrical connector show-  
ing our new design;

FIG. 2 is a front, elevation view thereof;

FIG. 3 is a right side view thereof, the left side view being a  
mirror image thereto;

FIG. 4 is a top plan view thereof;

FIG. 5 is a bottom plan view thereof; and,

FIG. 6 is a cross sectional view thereof, taken along line  
“6—6” in FIG. 2.

The left side view is the same as the right side view.

**1 Claim, 3 Drawing Sheets**

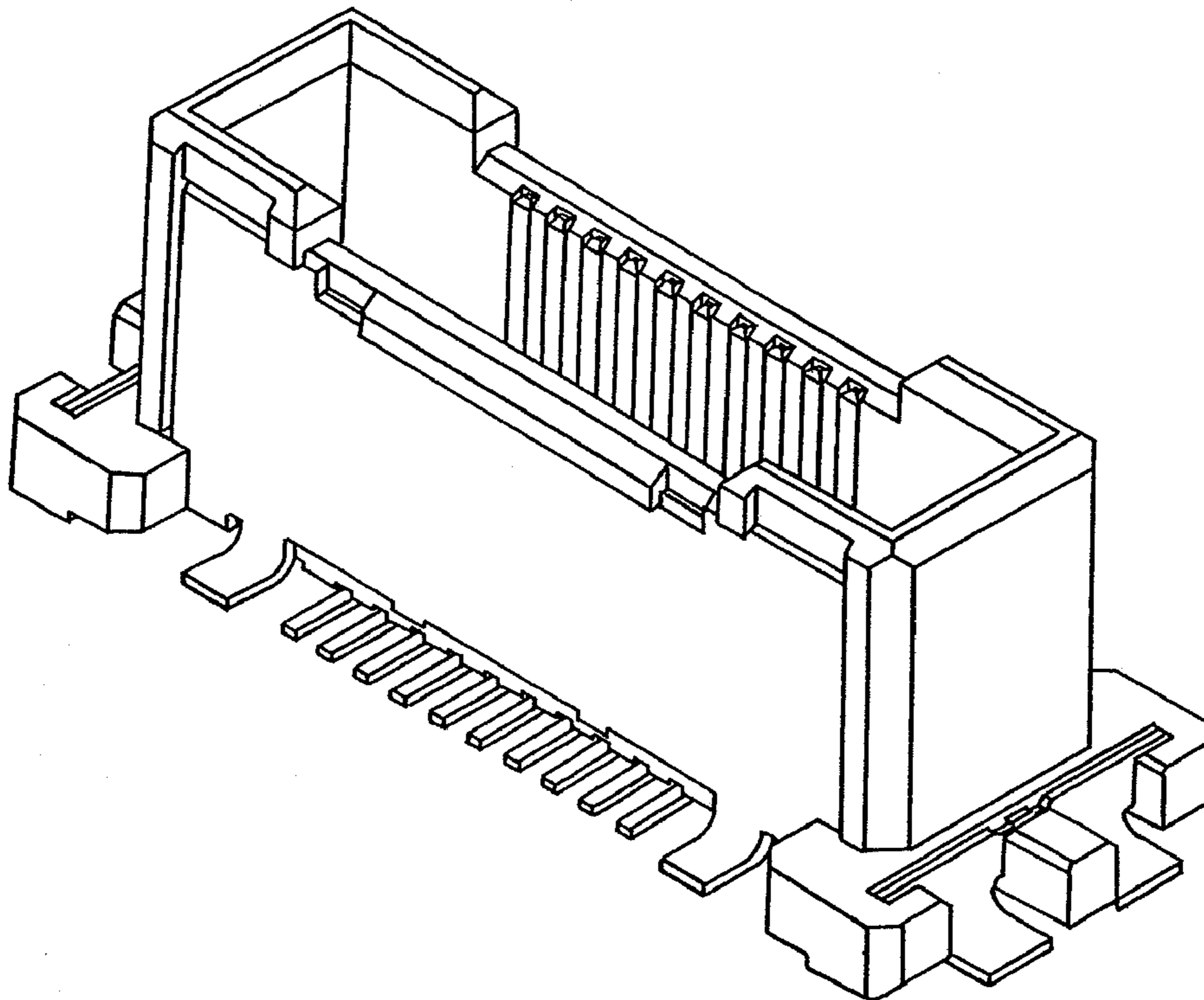


FIG. 1

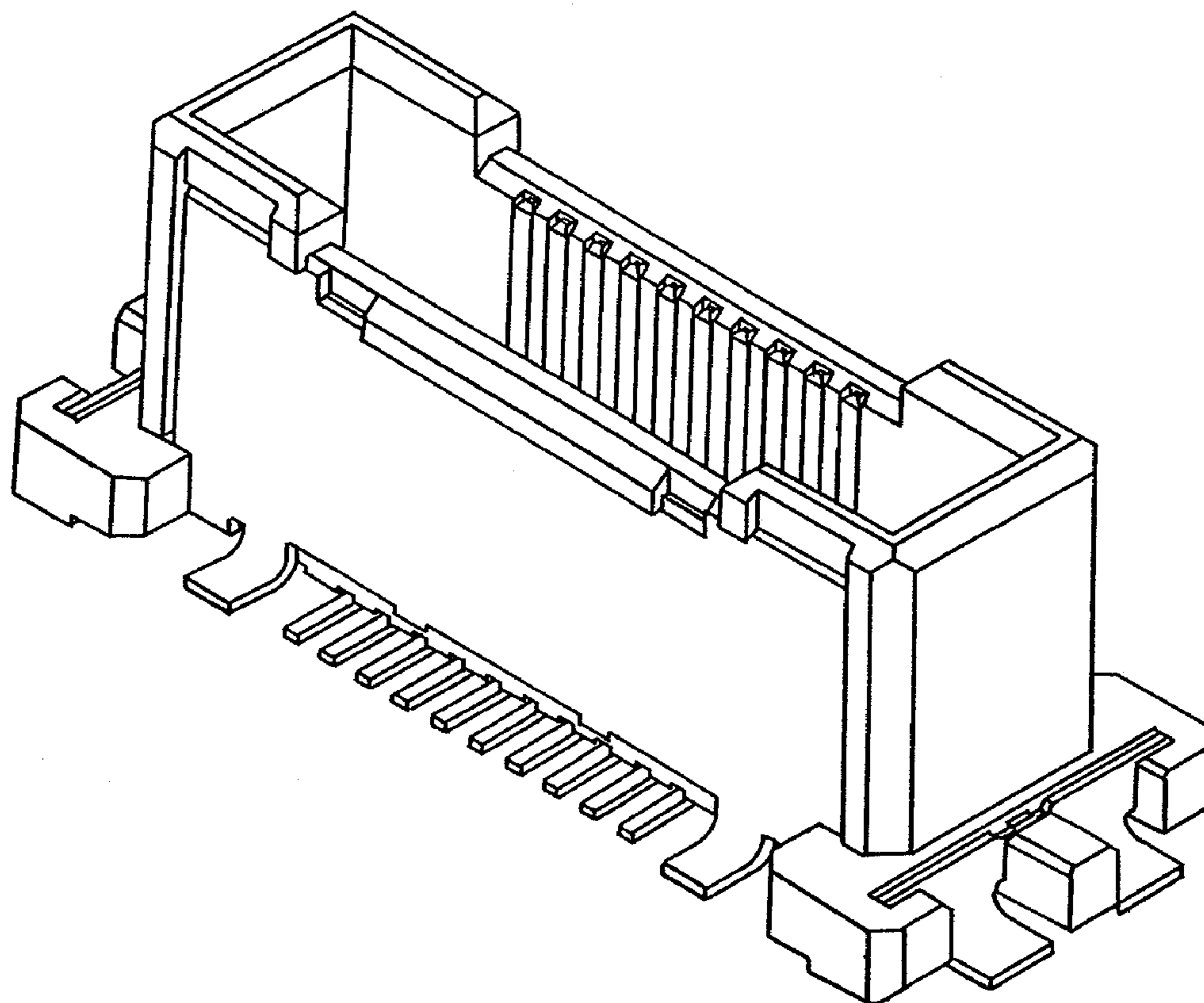


FIG. 6

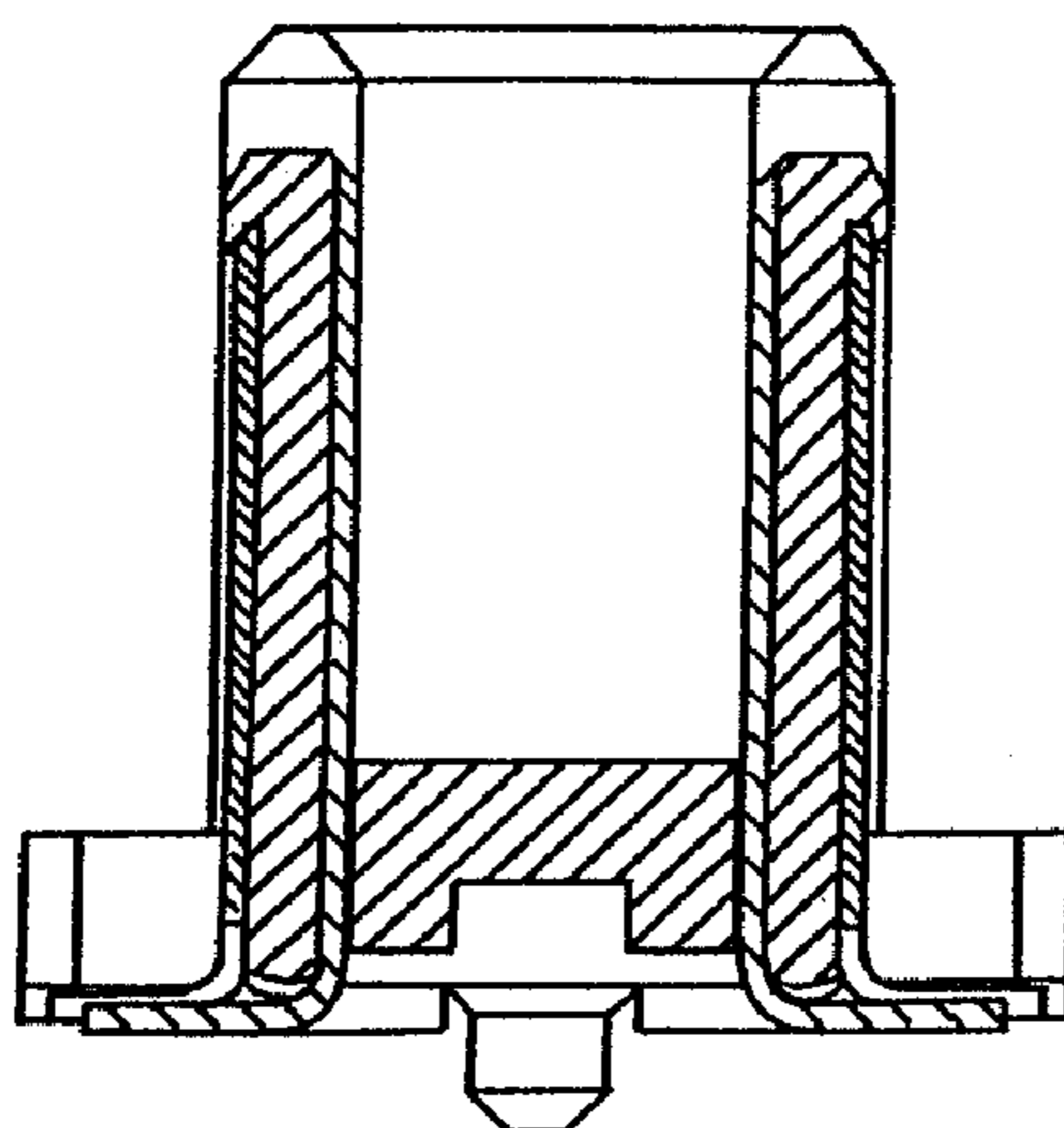


FIG. 2

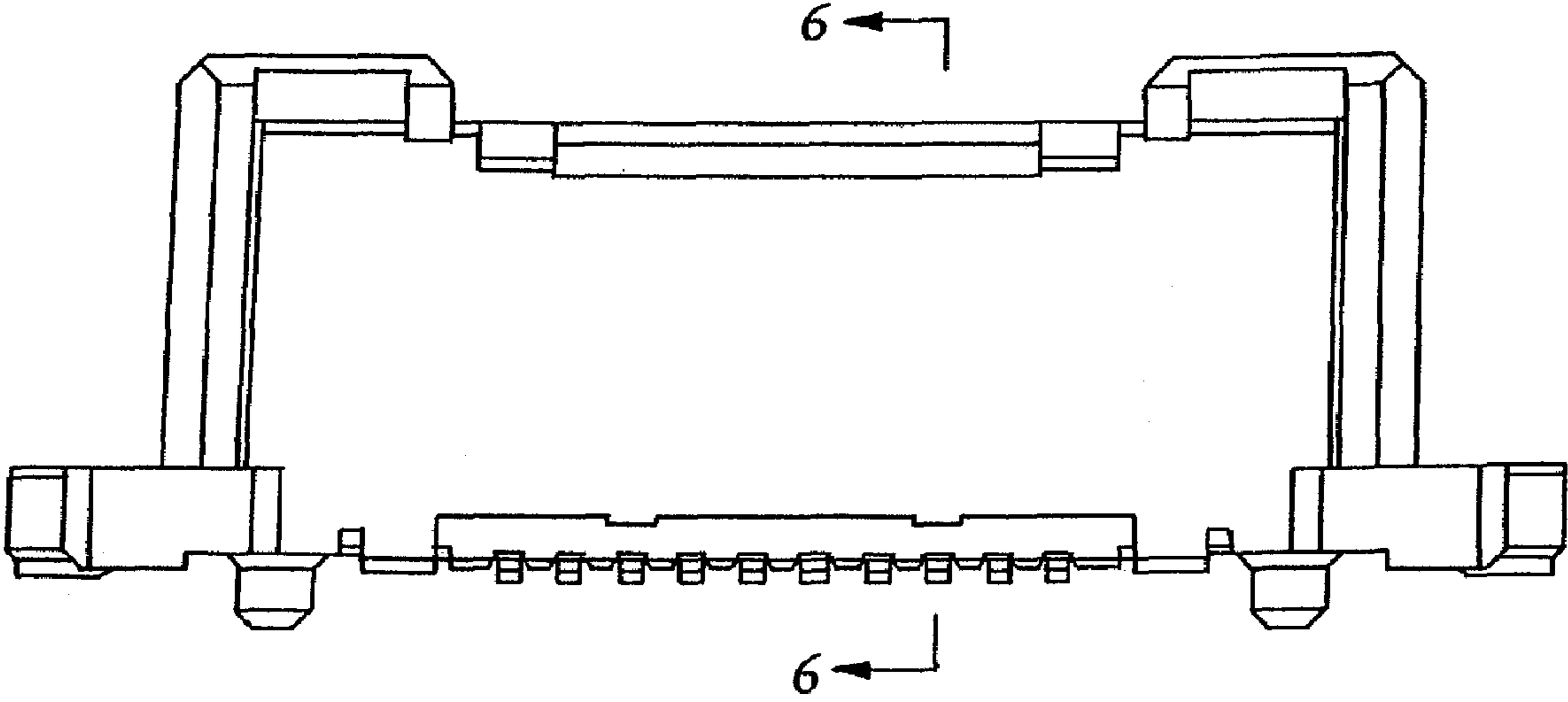


FIG. 3

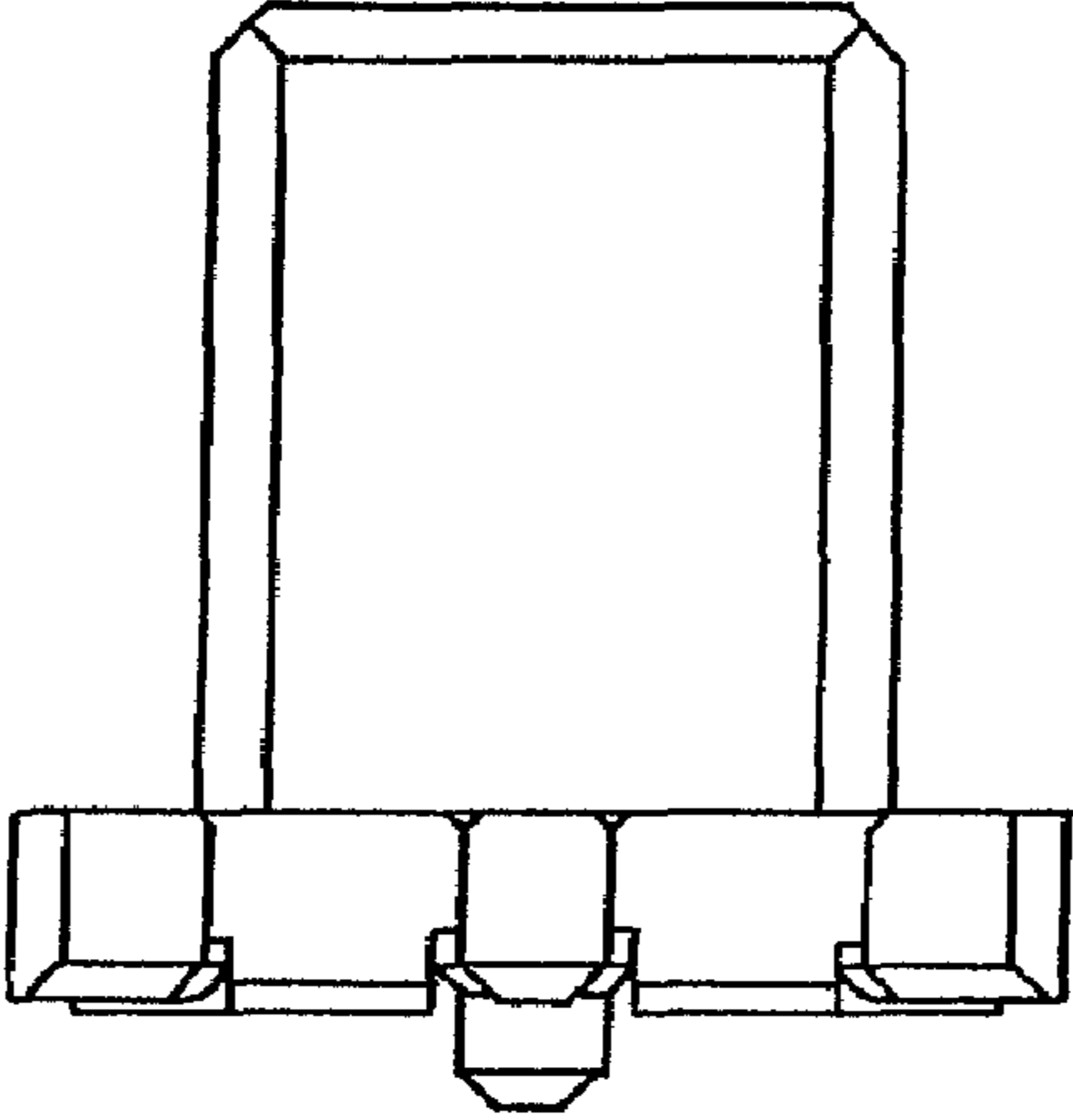


FIG. 4

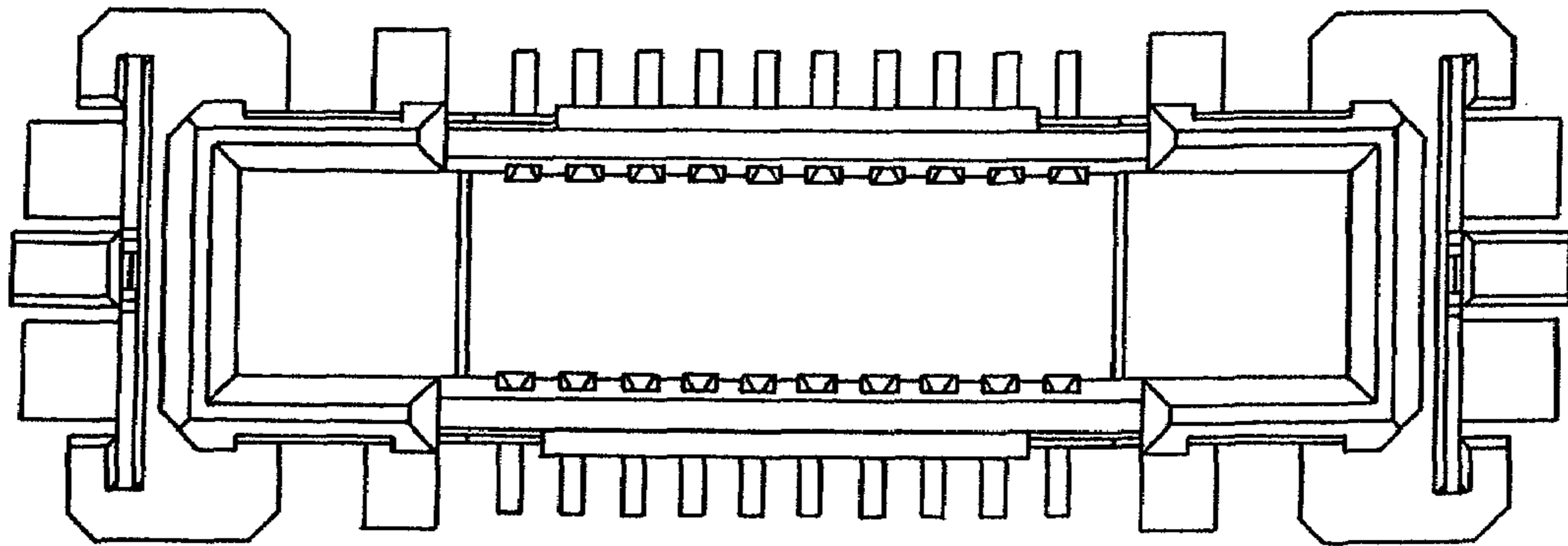


FIG. 5

