



US00D574329S

(12) **United States Design Patent**
So

(10) **Patent No.:** **US D574,329 S**

(45) **Date of Patent:** **** Aug. 5, 2008**

(54) **CONNECTOR TERMINAL**

(75) Inventor: **Shun Tong So, Kwun Tong (HK)**

(73) Assignee: **Morning Star Industrial Company Limited, Kwun Tong (HK)**

(**) Term: **14 Years**

(21) Appl. No.: **29/258,243**

(22) Filed: **Apr. 19, 2006**

(51) **LOC (8) Cl.** **13-03**

(52) **U.S. Cl.** **D13/147**

(58) **Field of Classification Search** D13/133,
D13/146, 147, 154, 184, 199; D14/140,
D14/217, 240, 256, 299, 356; 439/344, 538,
439/535-536, 540.1, 571, 573, 638, 650,
439/676

See application file for complete search history.

(56) **References Cited**

U.S. PATENT DOCUMENTS

4,997,386 A * 3/1991 Kawachi et al. 439/352
5,879,199 A * 3/1999 Belopolsky 439/701
D421,964 S * 3/2000 Nagasawa et al. D13/147
6,123,564 A * 9/2000 Belmore, III 439/344

D432,991 S * 10/2000 Taguchi D13/147
6,203,379 B1 * 3/2001 Cai et al. 439/676
D521,504 S * 5/2006 Nagel et al. D14/240
2005/0101194 A1 * 5/2005 Deng et al. 439/676

* cited by examiner

Primary Examiner—Daniel D Bui

(74) *Attorney, Agent, or Firm*—Gottlieb, Rackman & Reisman

(57) **CLAIM**

I claim the ornamental design for a connector terminal, as shown and described.

DESCRIPTION

FIG. 1 is a front elevational view of a connector terminal showing my design;

FIG. 2 is a rear elevational view thereof;

FIG. 3 is a left side elevational view thereof;

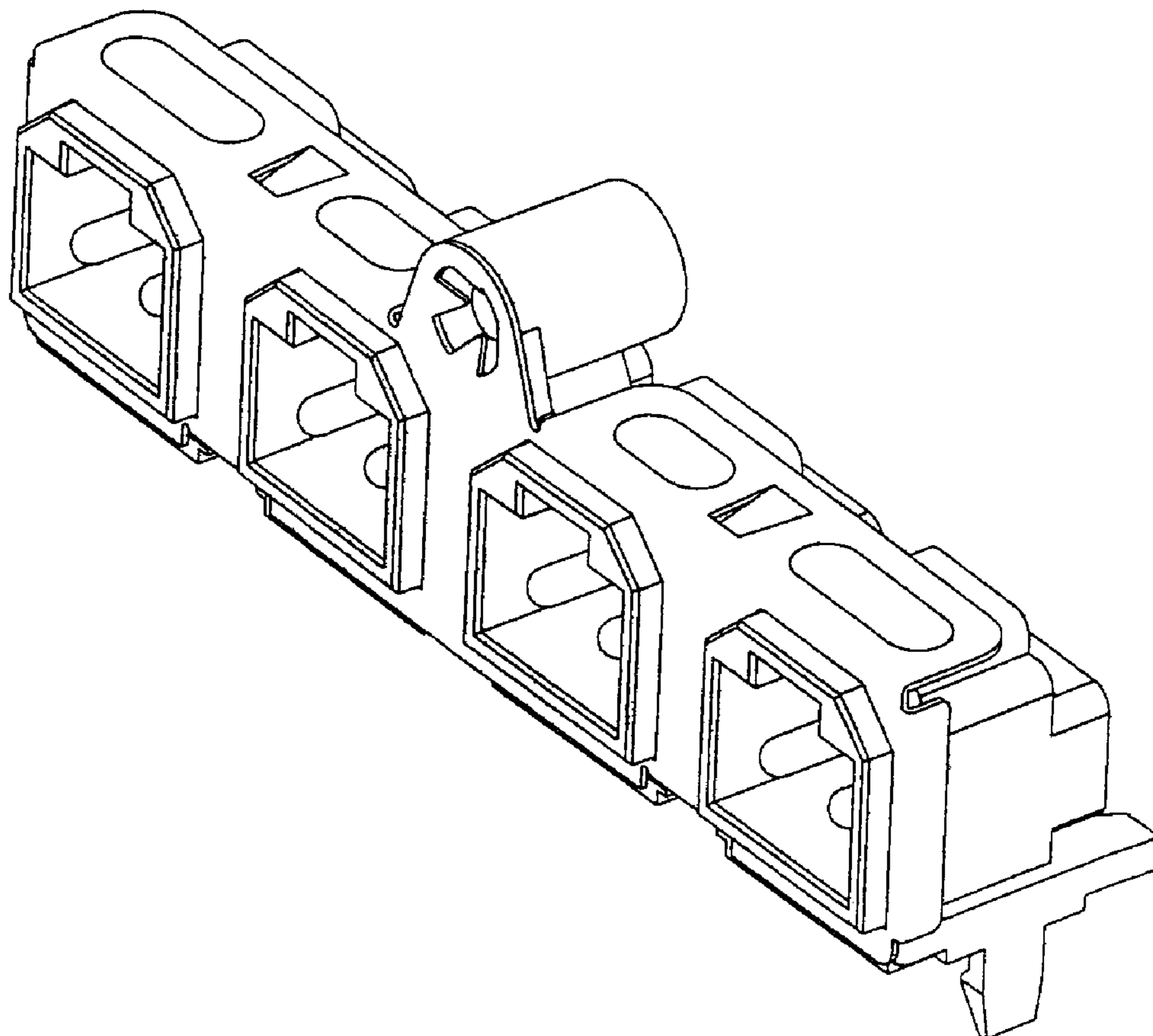
FIG. 4 is a right side elevational view thereof;

FIG. 5 is a top plan view thereof;

FIG. 6 is a bottom plan view thereof; and,

FIG. 7 is a perspective view thereof.

1 Claim, 7 Drawing Sheets



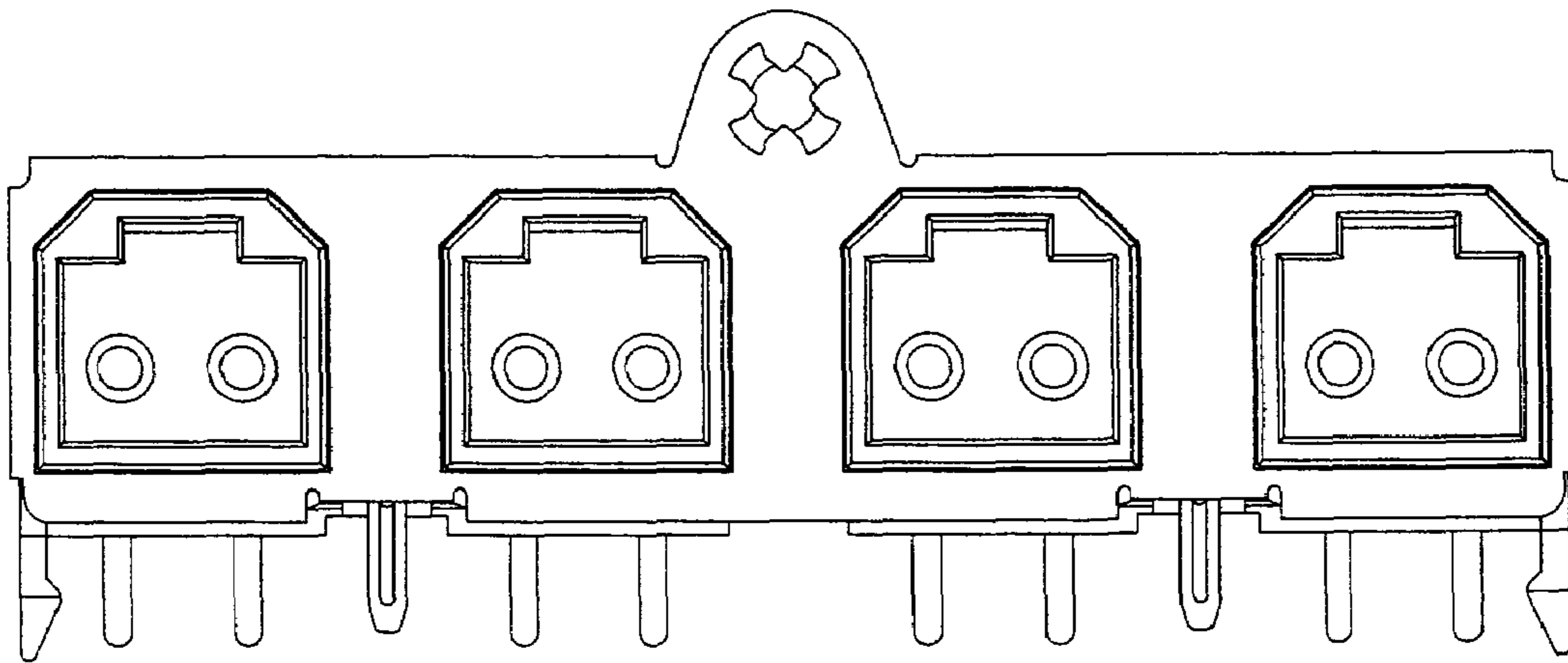


FIG. 1

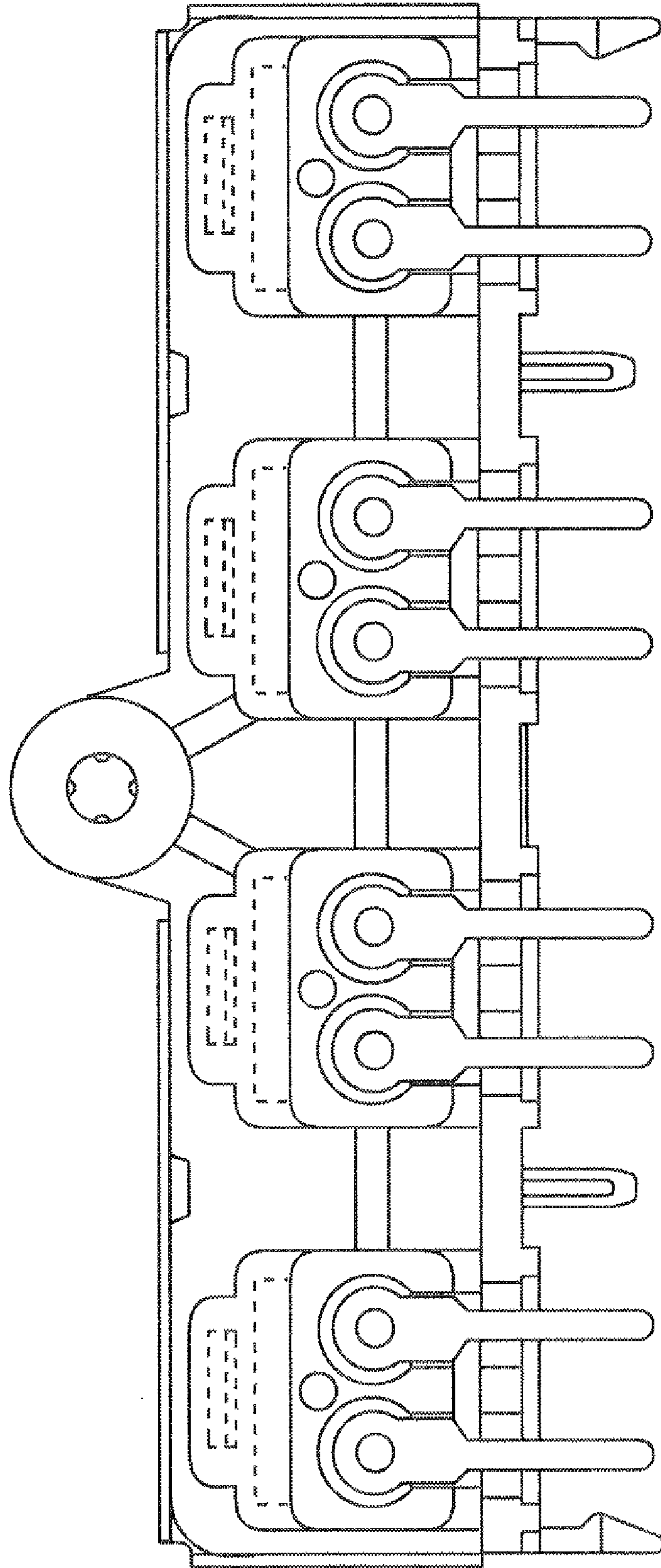


FIG. 2

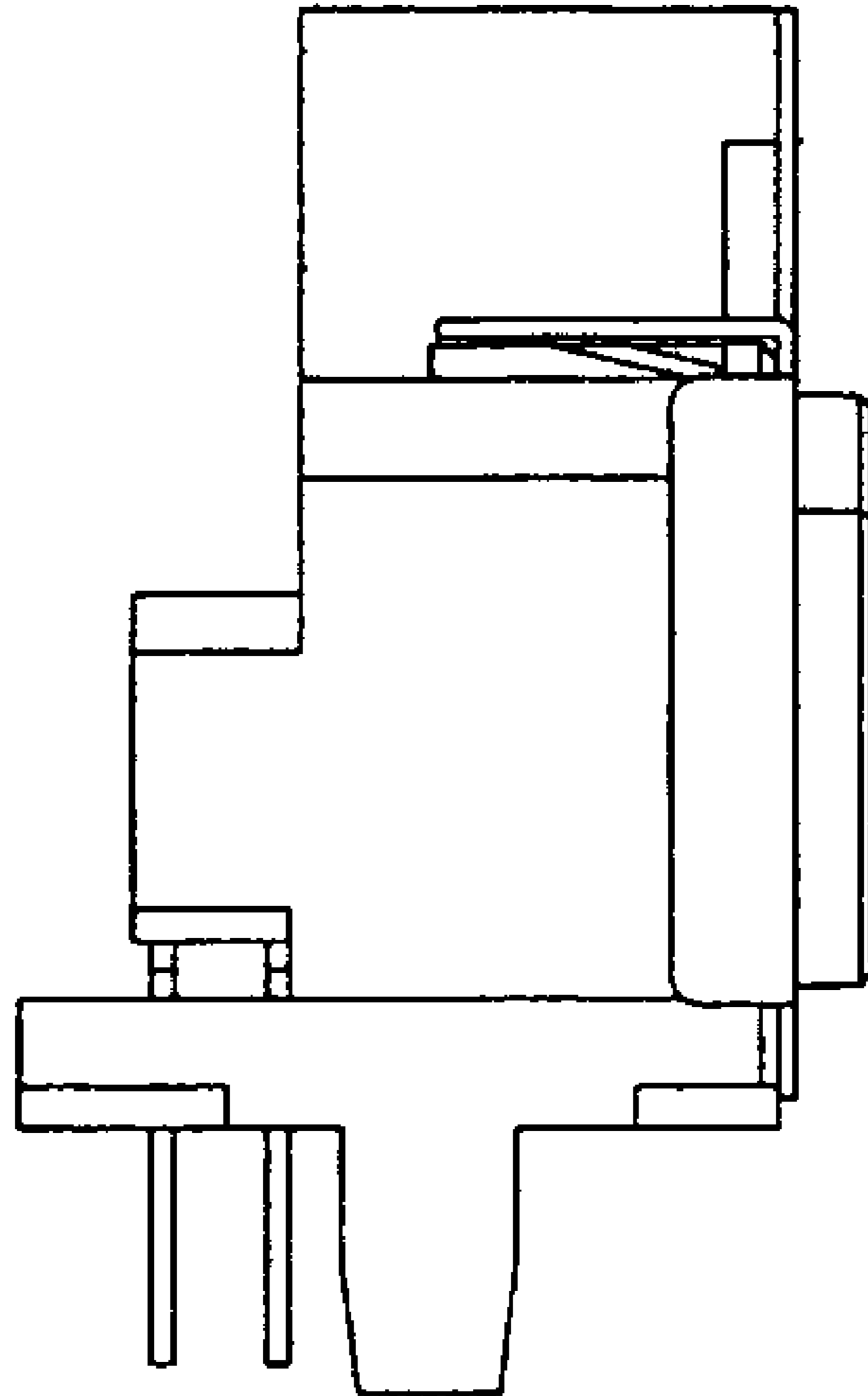


FIG. 3

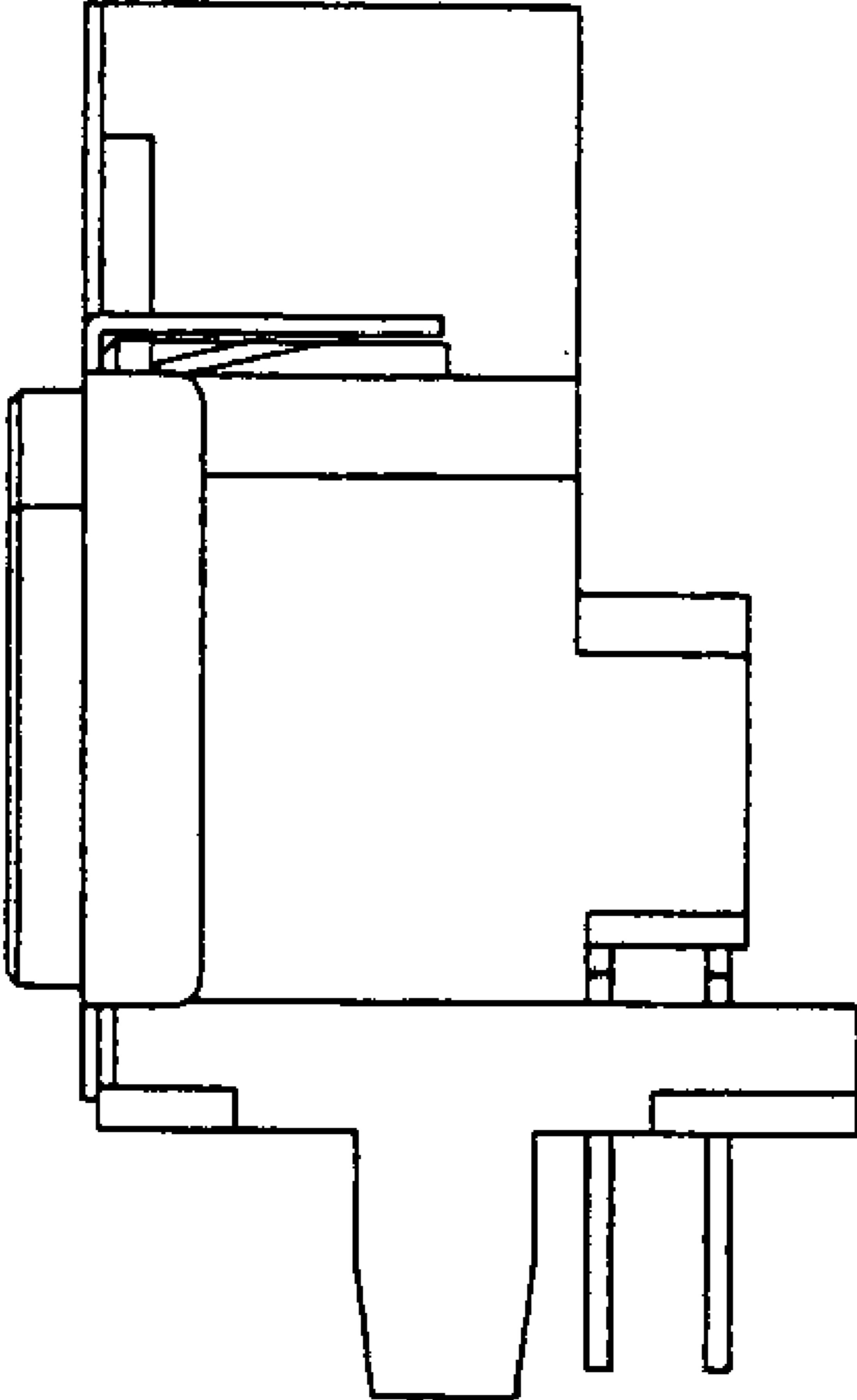


FIG. 4

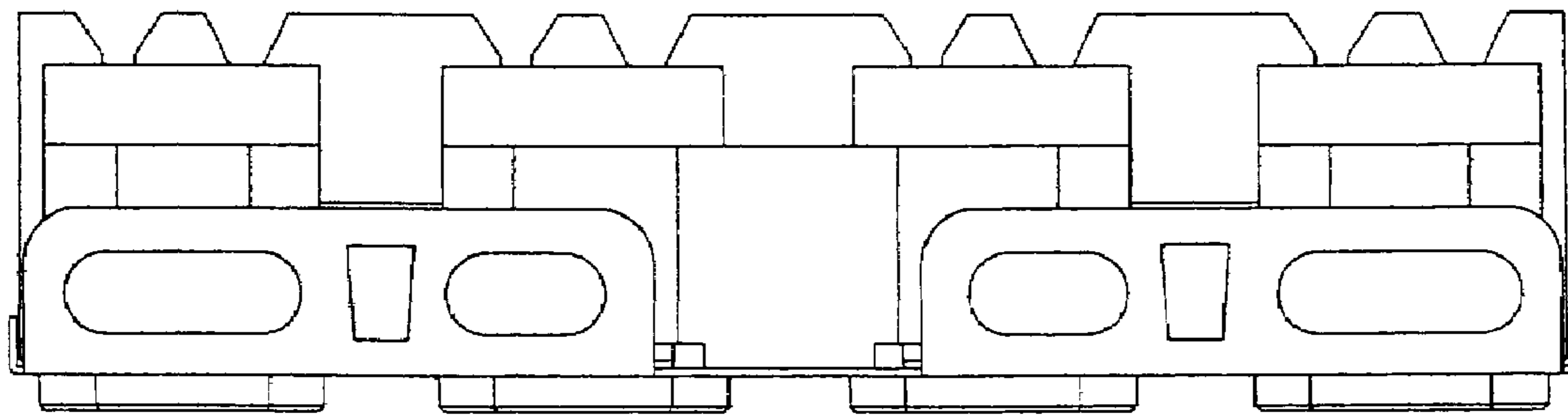


FIG. 5

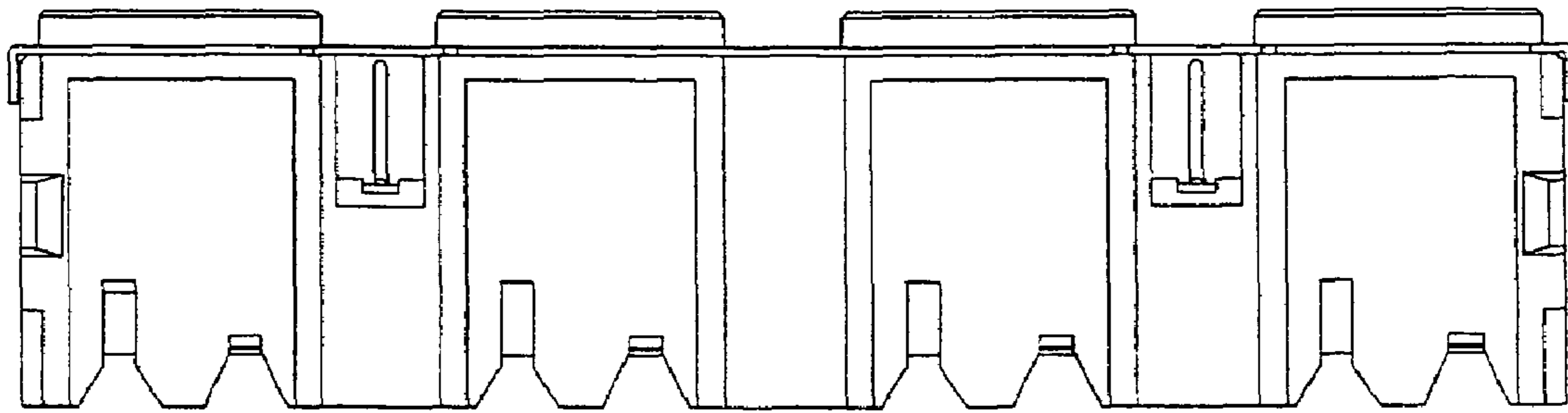


FIG. 6

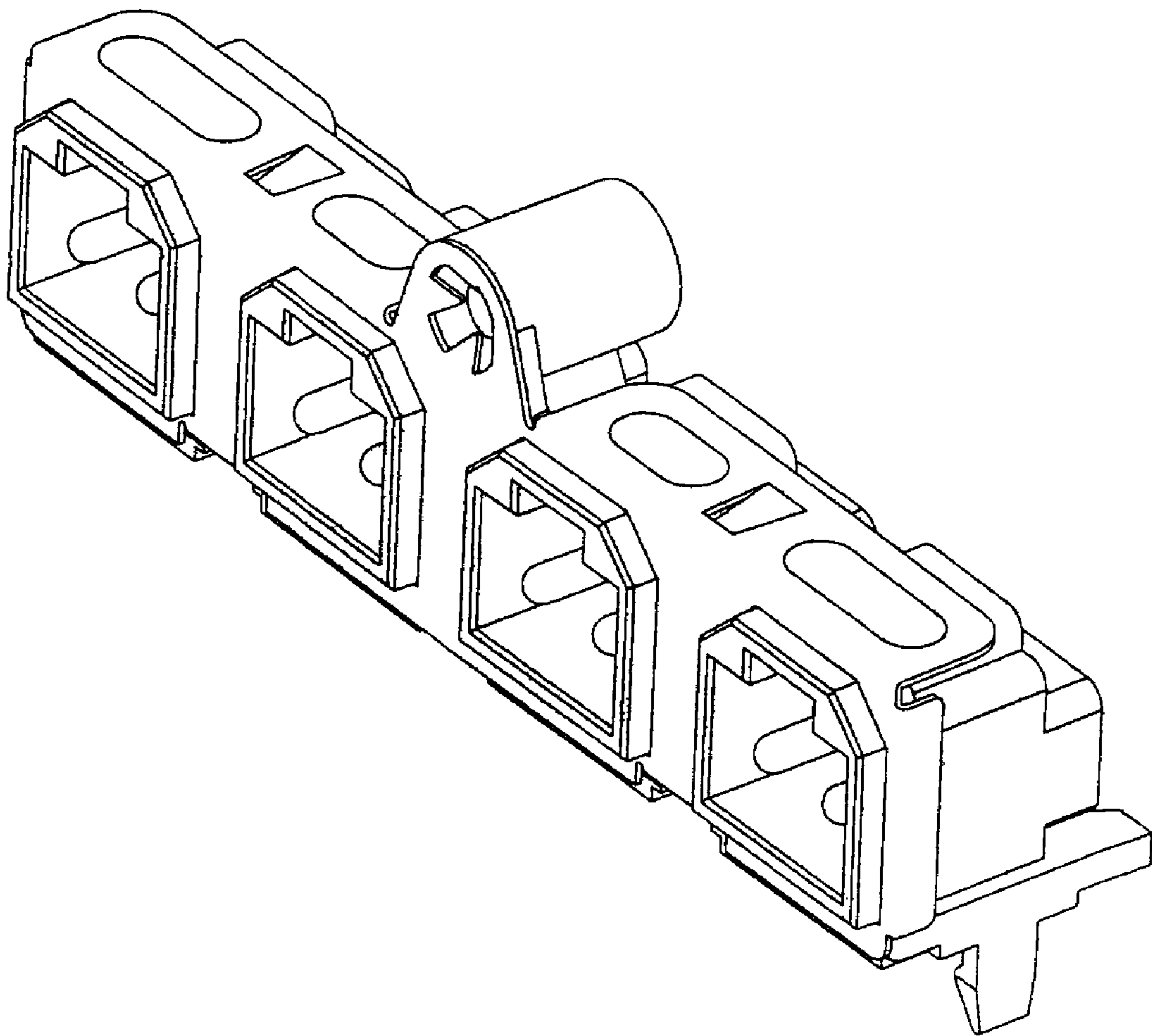


FIG. 7