

US00D574326S

(12) **United States Design Patent**  
**Lim**

(10) **Patent No.:** **US D574,326 S**

(45) **Date of Patent:** **\*\* Aug. 5, 2008**

(54) **CHARGING ADAPTOR FOR GAME CONTROLLER**

5,648,712 A \* 7/1997 Hahn ..... 320/111  
D408,784 S \* 4/1999 Maeyama ..... D13/110  
D436,919 S \* 1/2001 Wakefield et al. .... D13/110  
D525,935 S \* 8/2006 Hussaini et al. .... D13/108

(75) Inventor: **Tsz-Kin Lim**, Kowloon (CN)

\* cited by examiner

(73) Assignee: **Storm Electronics Company Limited**,  
Kowloon, Hong Kong (CN)

*Primary Examiner*—Prabhakar Deshmukh

*Assistant Examiner*—Derrick Holland

(\*\*) Term: **14 Years**

(74) *Attorney, Agent, or Firm*—Alix, Yale & Ristas, LLP

(21) Appl. No.: **29/289,995**

(57) **CLAIM**

(22) Filed: **Aug. 9, 2007**

The ornamental design for a charging adaptor for game controller, as shown and described.

(30) **Foreign Application Priority Data**

**DESCRIPTION**

Feb. 9, 2007 (HK) ..... 0700434

FIG. 1 is a front perspective view of a charging adaptor for game controller showing my new design;

(51) **LOC (8) Cl.** ..... **13-02**

FIG. 2 is a front elevational view thereof;

(52) **U.S. Cl.** ..... **D13/118; D13/110**

FIG. 3 is a rear view thereof;

(58) **Field of Classification Search** ..... D13/118,  
D13/101, 107, 108, 110, 199; D14/400,  
D14/426, 432; D21/332, 333; 320/114;  
463/45-47

FIG. 4 is a top plan view thereof;

FIG. 5 is a bottom plan view thereof;

See application file for complete search history.

FIG. 6 is a left side elevational view thereof; and,

FIG. 7 is a right side elevational view thereof.

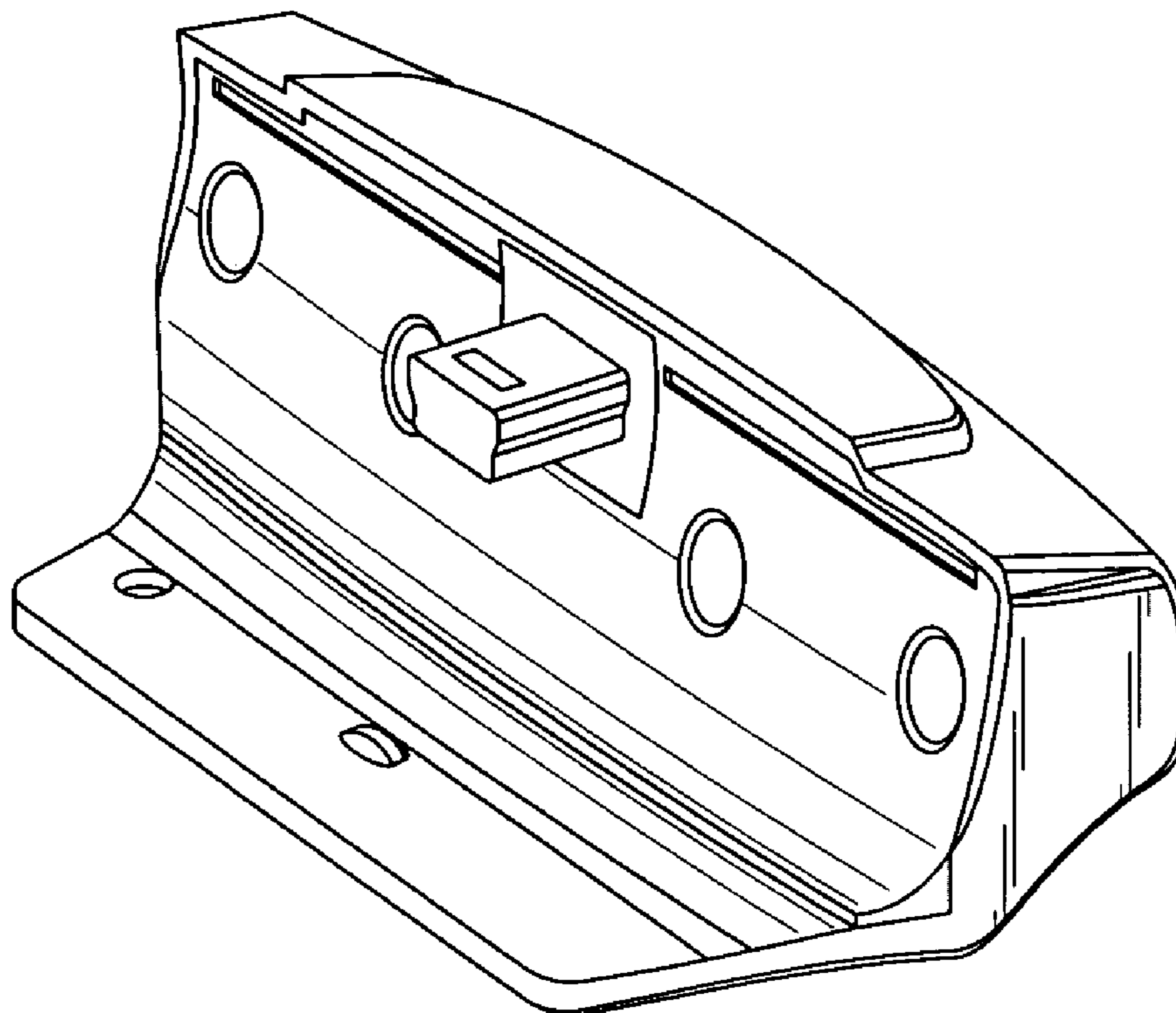
(56) **References Cited**

The broken lines shown are for illustrative purposes and form no part of the claimed design.

**U.S. PATENT DOCUMENTS**

D327,918 S \* 7/1992 Cordell ..... D21/332  
D361,978 S \* 9/1995 Shirai et al. .... D13/103

**1 Claim, 4 Drawing Sheets**



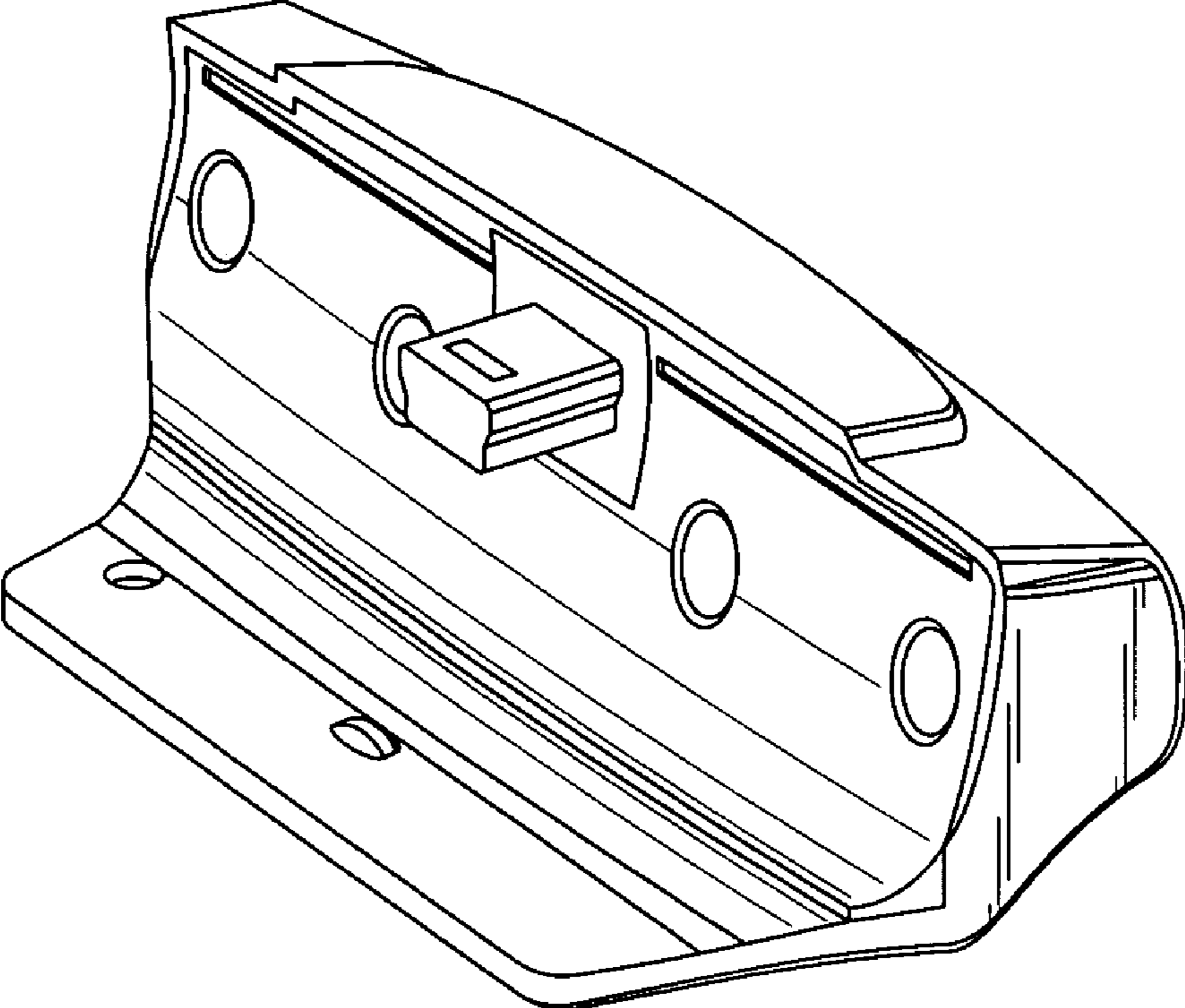


FIG. 1

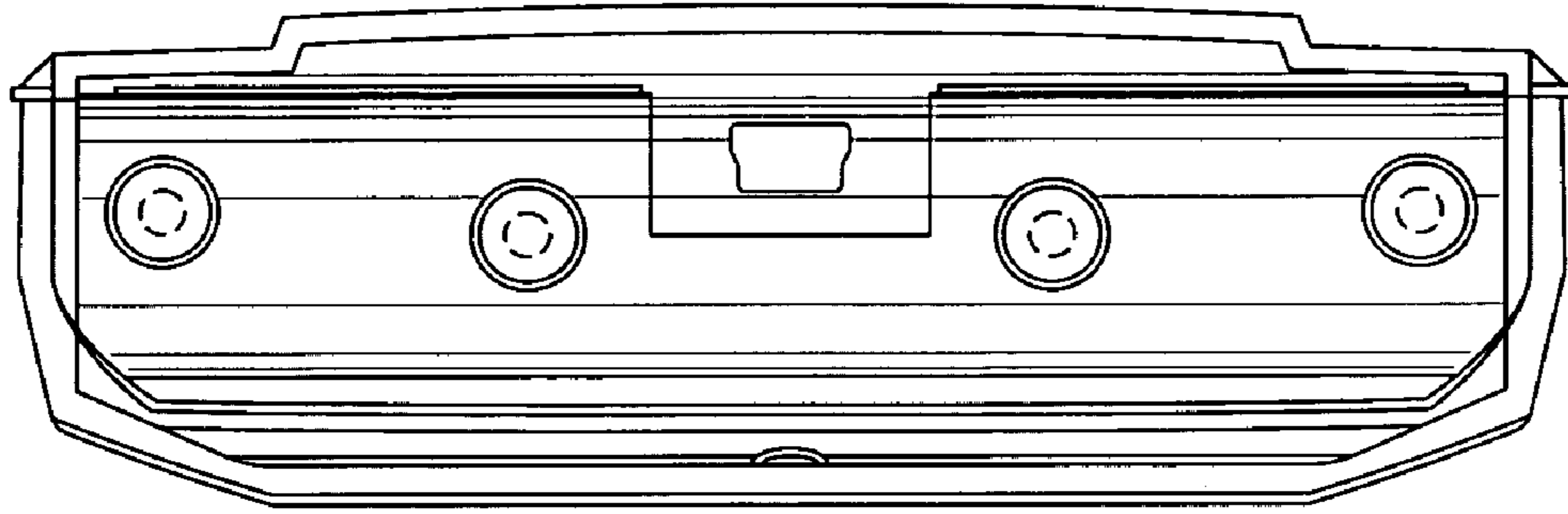


FIG. 2

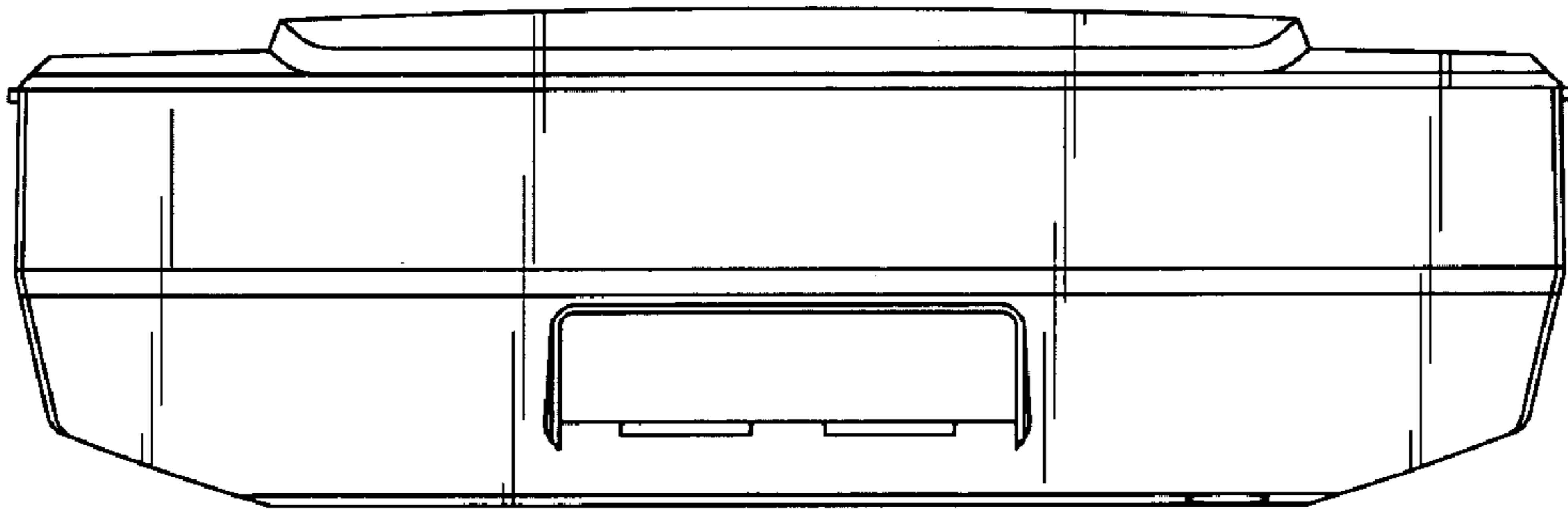


FIG. 3

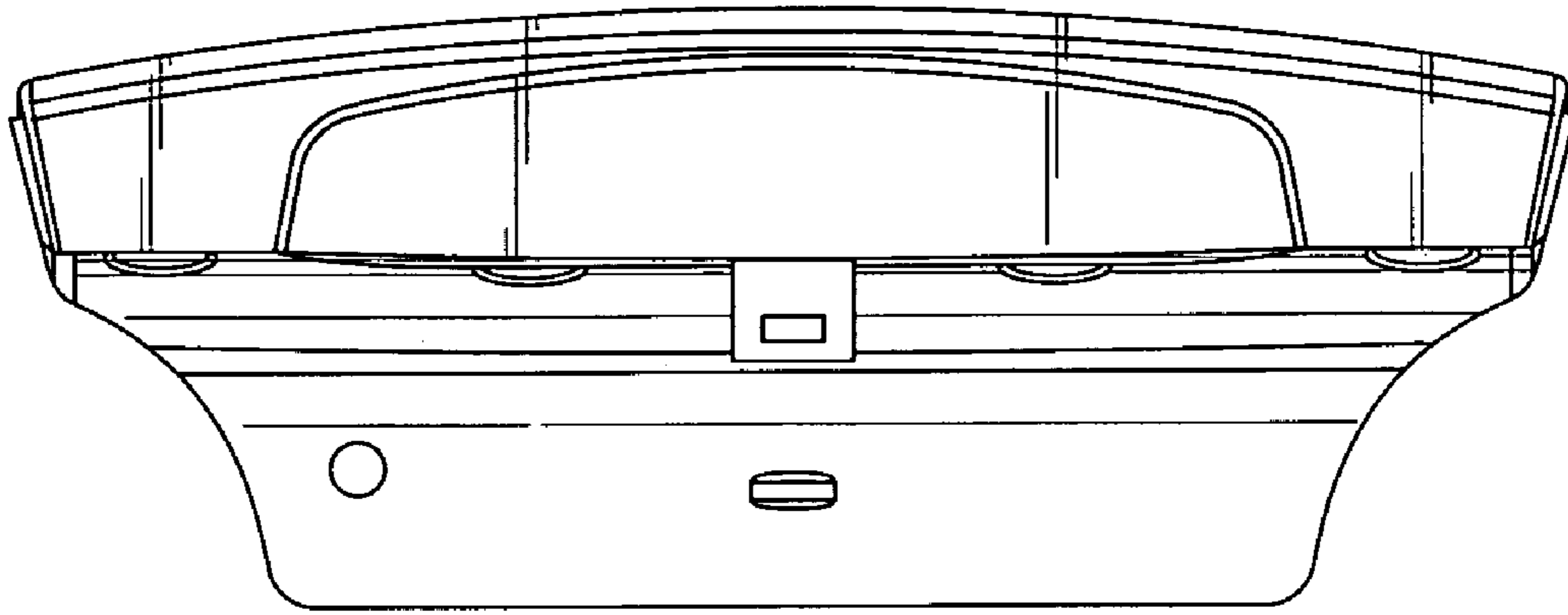


FIG. 4

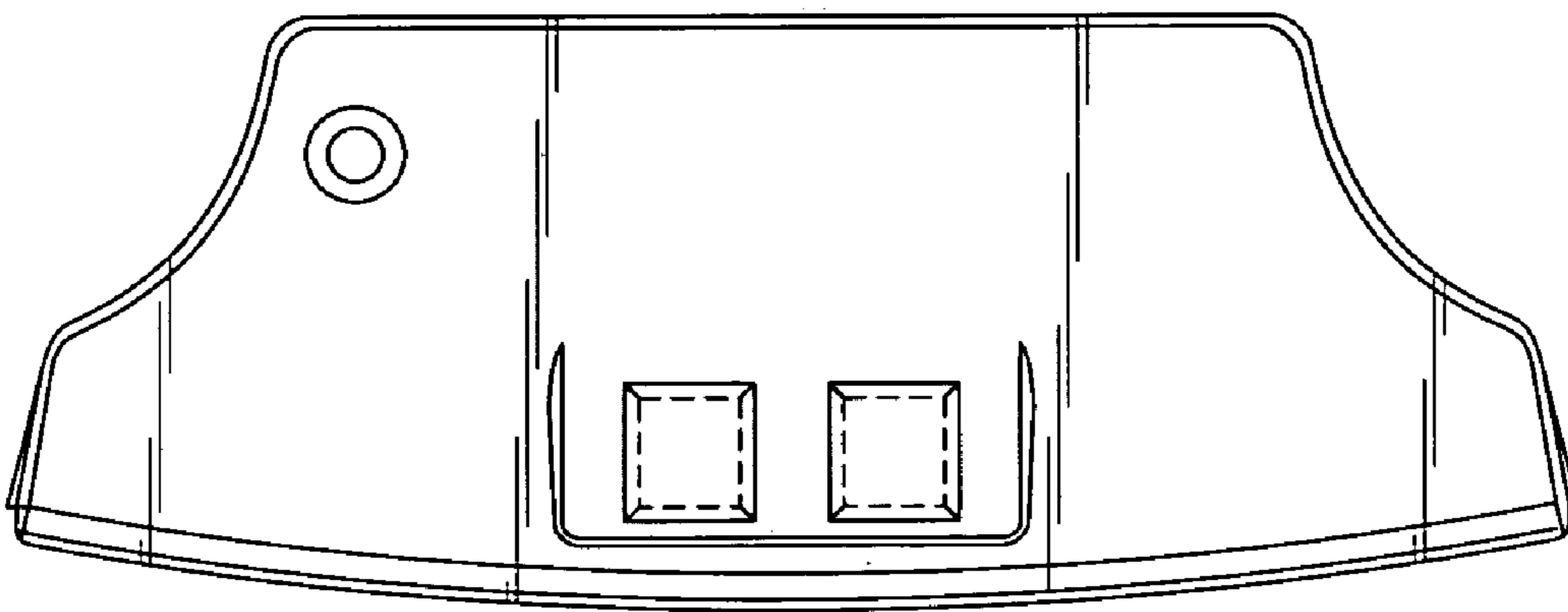


FIG. 5

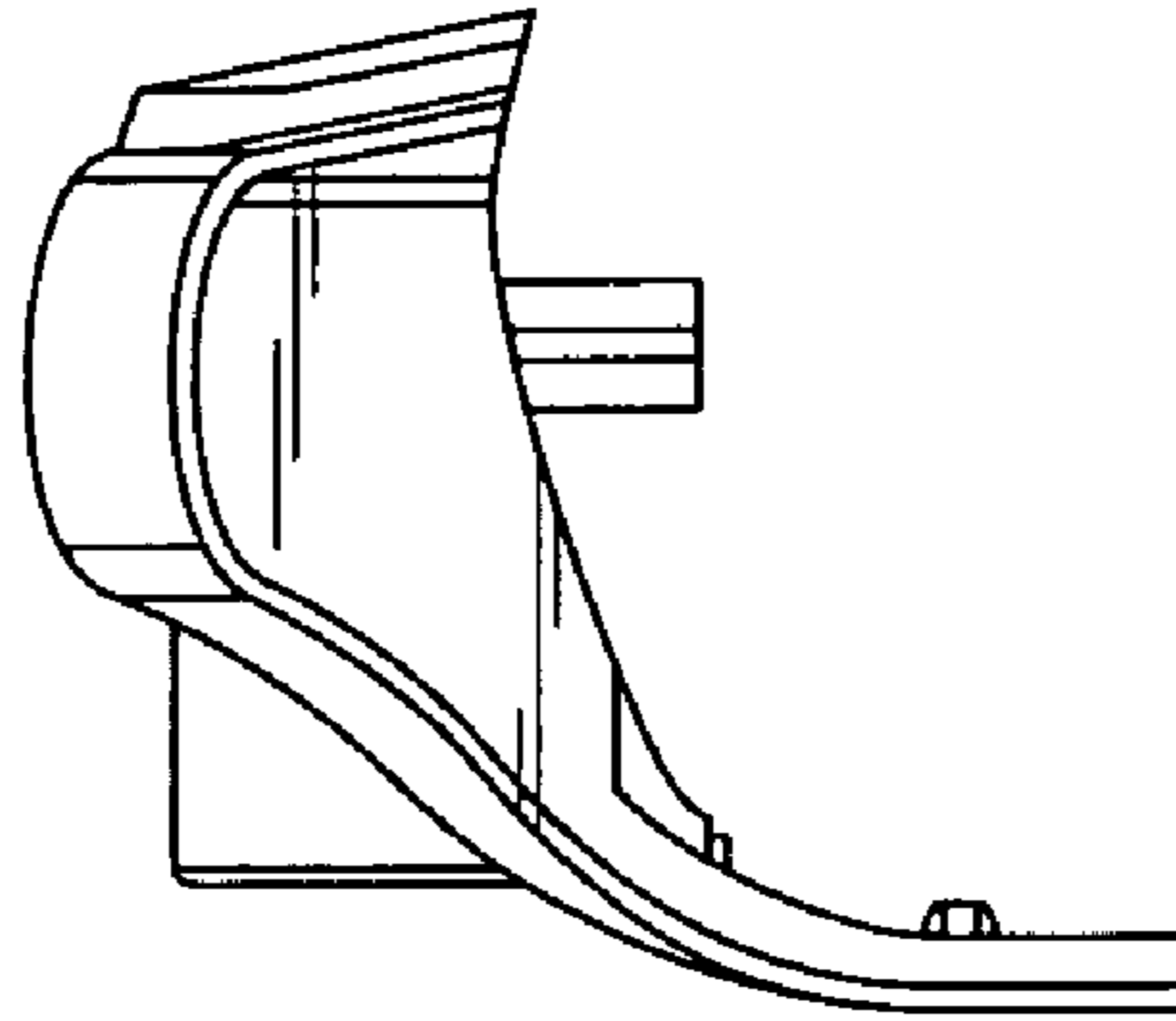


FIG. 6

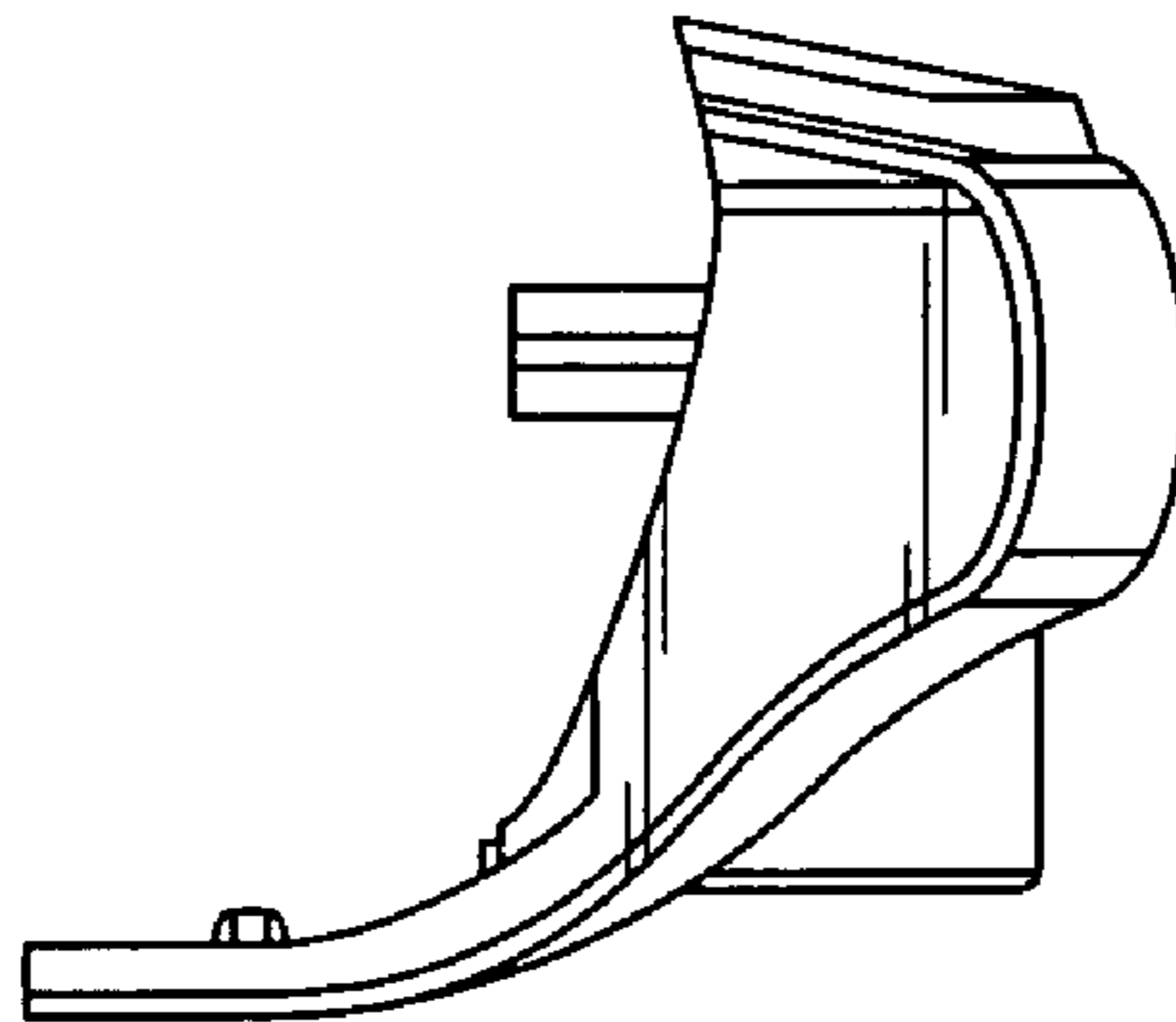


FIG. 7