



US00D574325S

(12) **United States Design Patent**  
**Naghshineh**

(10) **Patent No.:** **US D574,325 S**

(45) **Date of Patent:** **\*\* Aug. 5, 2008**

(54) **ELECTRICAL ALTERNATOR**

(75) Inventor: **Majid Naghshineh**, Wilmette, IL (US)

(73) Assignee: **C. E. Niehoff & Co.**, Evanston, IL (US)

(\*\*) Term: **14 Years**

(21) Appl. No.: **29/264,450**

(22) Filed: **Aug. 9, 2006**

(51) **LOC (8) Cl.** ..... **13-01**

(52) **U.S. Cl.** ..... **D13/114**

(58) **Field of Classification Search** ..... D13/114,  
D13/101, 112; 290/36 R, 46; 310/10, 42,  
310/43, 68 D, 75 R, 114, 231

See application file for complete search history.

(56) **References Cited**

**U.S. PATENT DOCUMENTS**

D207,401 S *	4/1967	Andrews et al.	.....	D13/114
4,546,280 A *	10/1985	Pfluger	.....	310/68 D
D314,742 S *	2/1991	Sieber	.....	D13/114
5,696,415 A *	12/1997	Fujimoto et al.	.....	310/89
D398,285 S	9/1998	Becker et al.		
D398,286 S	9/1998	Becker et al.		
5,914,549 A *	6/1999	Adachi et al.	.....	310/89
D425,020 S	5/2000	Becker et al.		
6,236,134 B1 *	5/2001	Syverson	.....	310/181
D467,541 S	12/2002	Hemphill		

**OTHER PUBLICATIONS**

C.E. Niehoff & Co. Brushless Alternators Product Catalog, 1997, pp. 6.1-6.8, U.S.A.

C.E. Niehoff & Co. Brushless Alternator, 2003 <http://www.ceniehoff.com>.

\* cited by examiner

*Primary Examiner*—Prabhakar Deshmukh

*Assistant Examiner*—Derrick Holland

(74) *Attorney, Agent, or Firm*—Law Offices of Michael M. Ahmadshahi

(57) **CLAIM**

The ornamental design for an electrical alternator, as shown and described.

**DESCRIPTION**

FIG. 1 is a front view of an electrical alternator according to the present invention.

FIG. 2 is a rear view thereof.

FIG. 3 is a first side view thereof.

FIG. 4 is a second side view thereof.

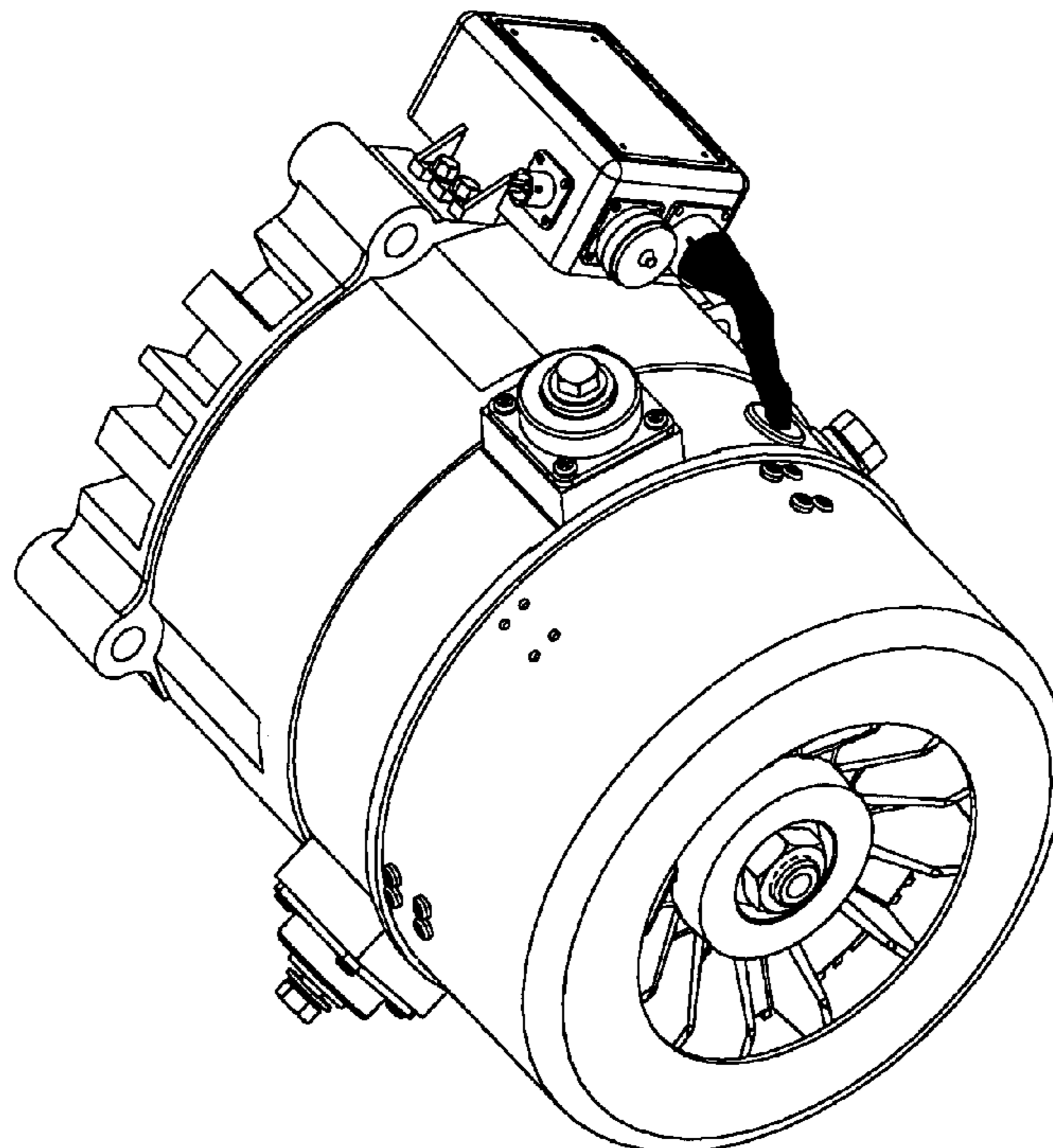
FIG. 5 is a top view thereof.

FIG. 6 is a bottom view thereof.

FIG. 7 is a front and side perspective view thereof; and,

FIG. 8 is a rear and side perspective view thereof.

**1 Claim, 8 Drawing Sheets**



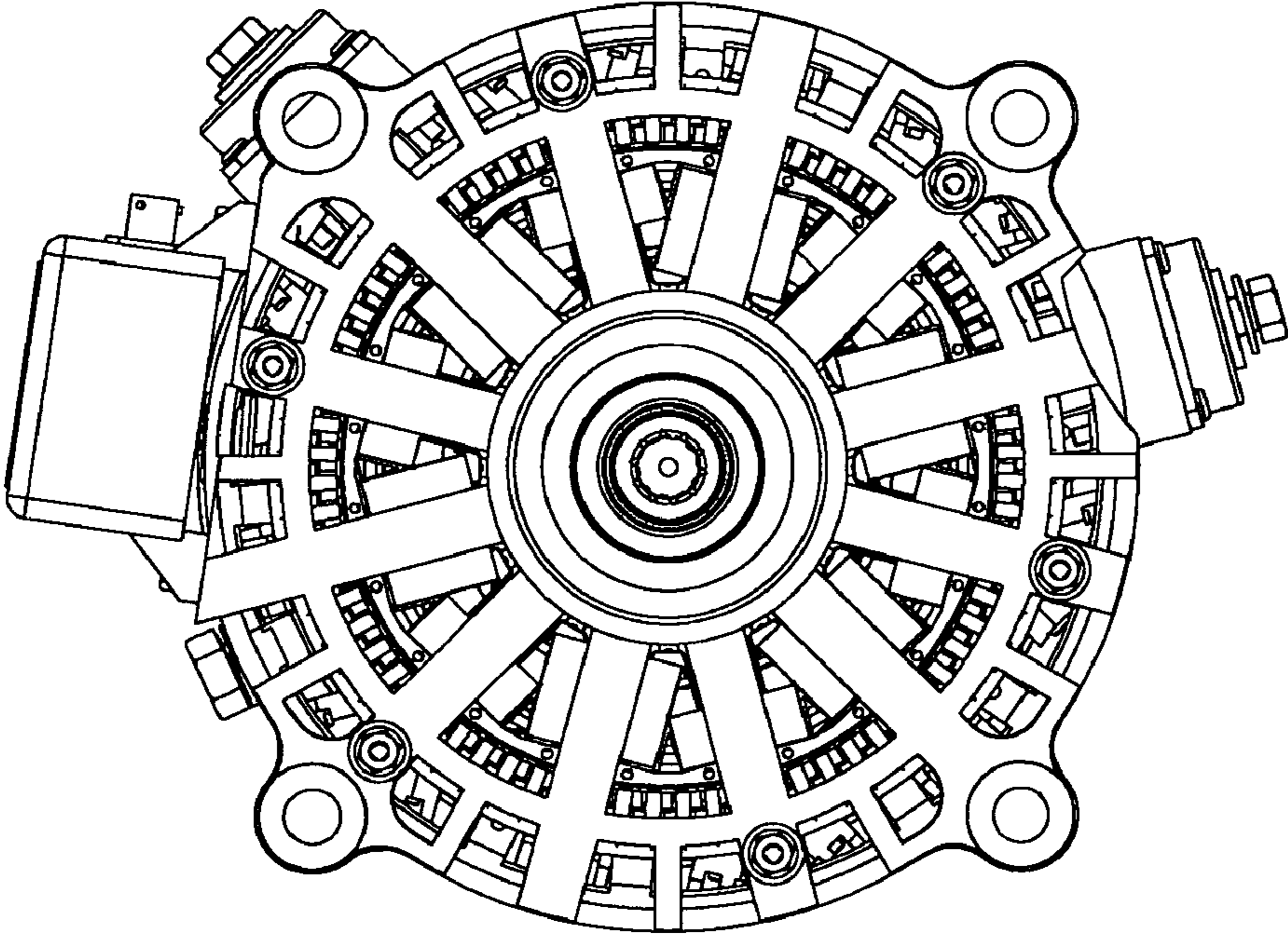


FIG. 1

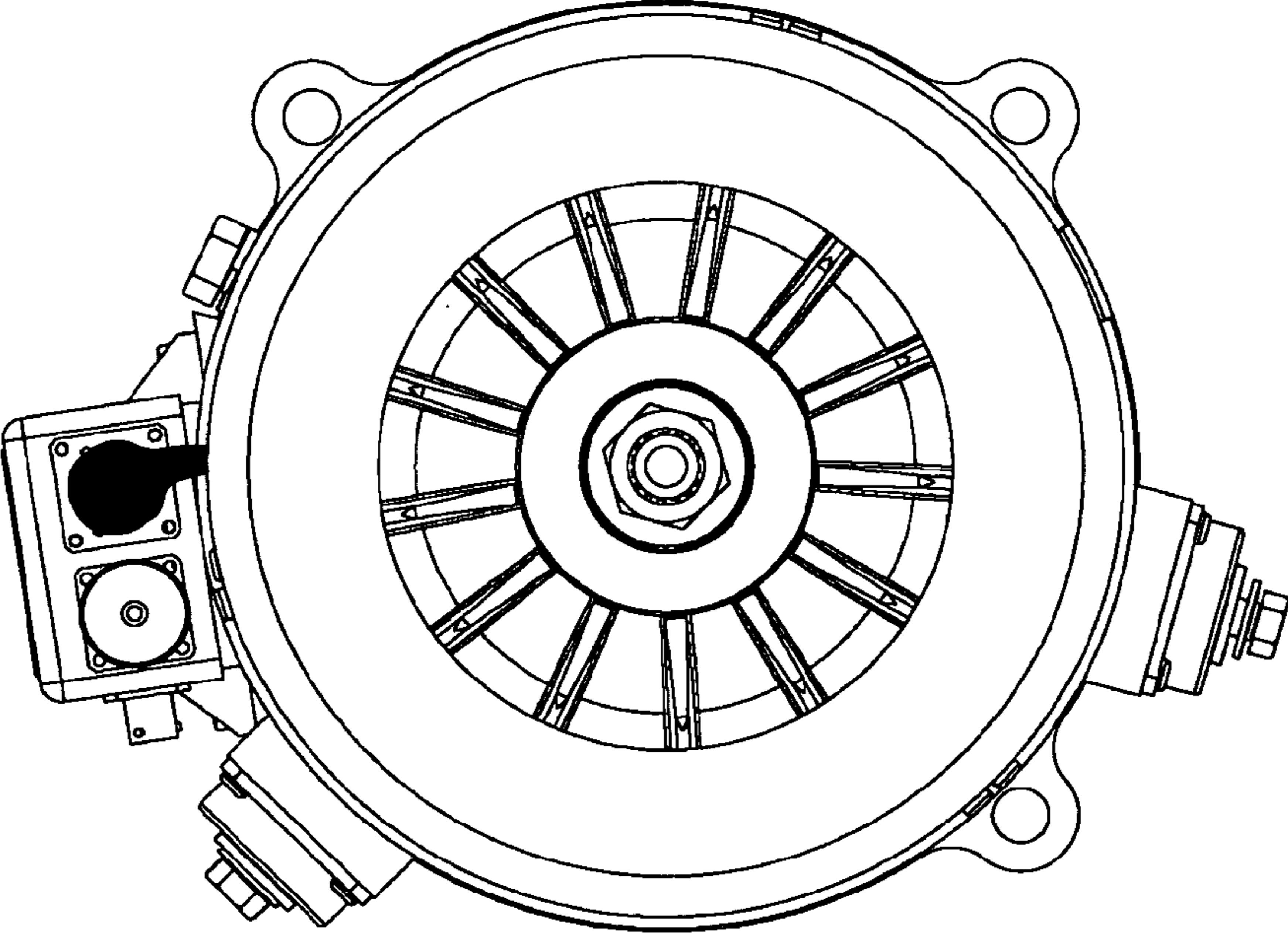


FIG. 2

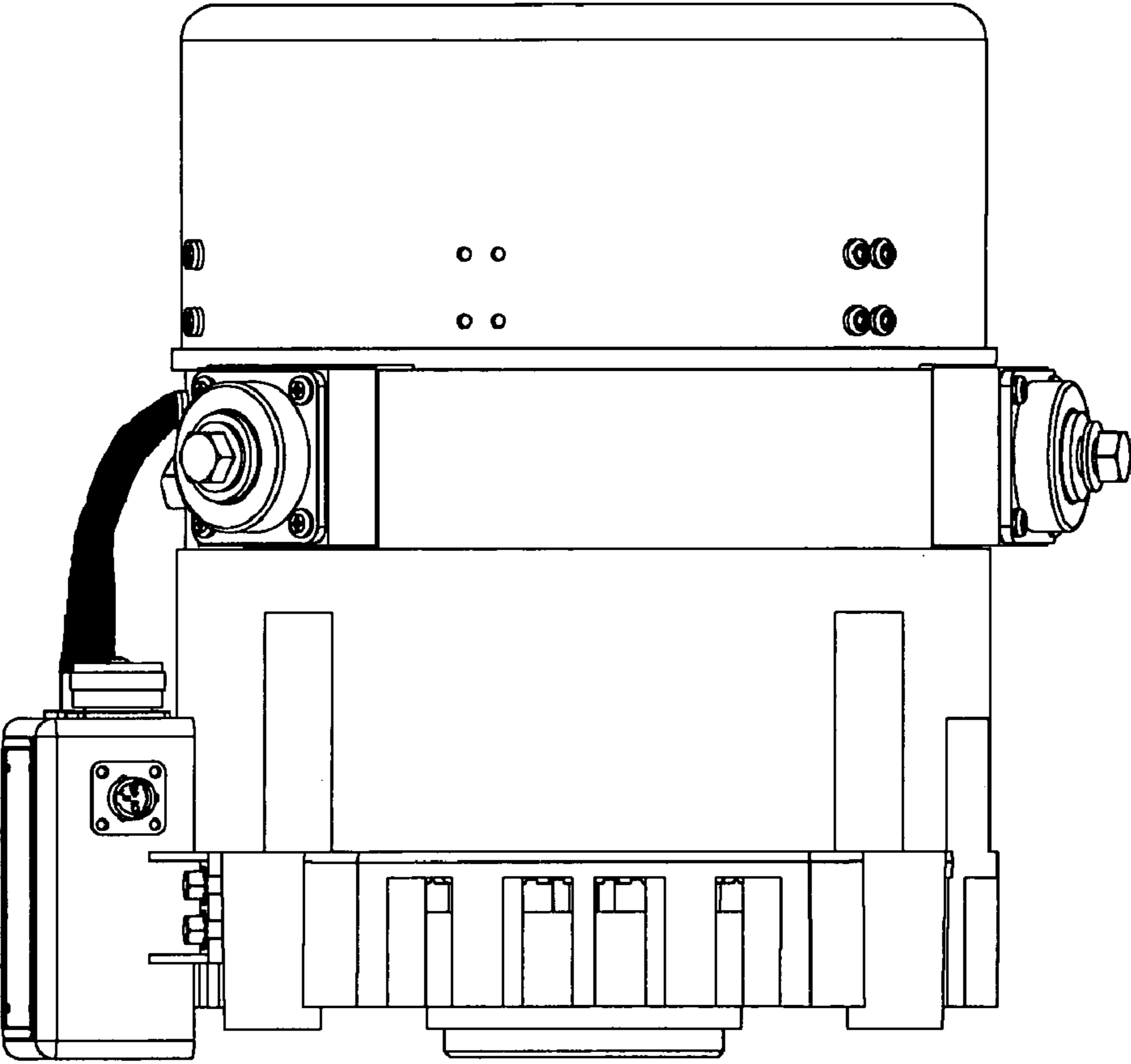


FIG. 3

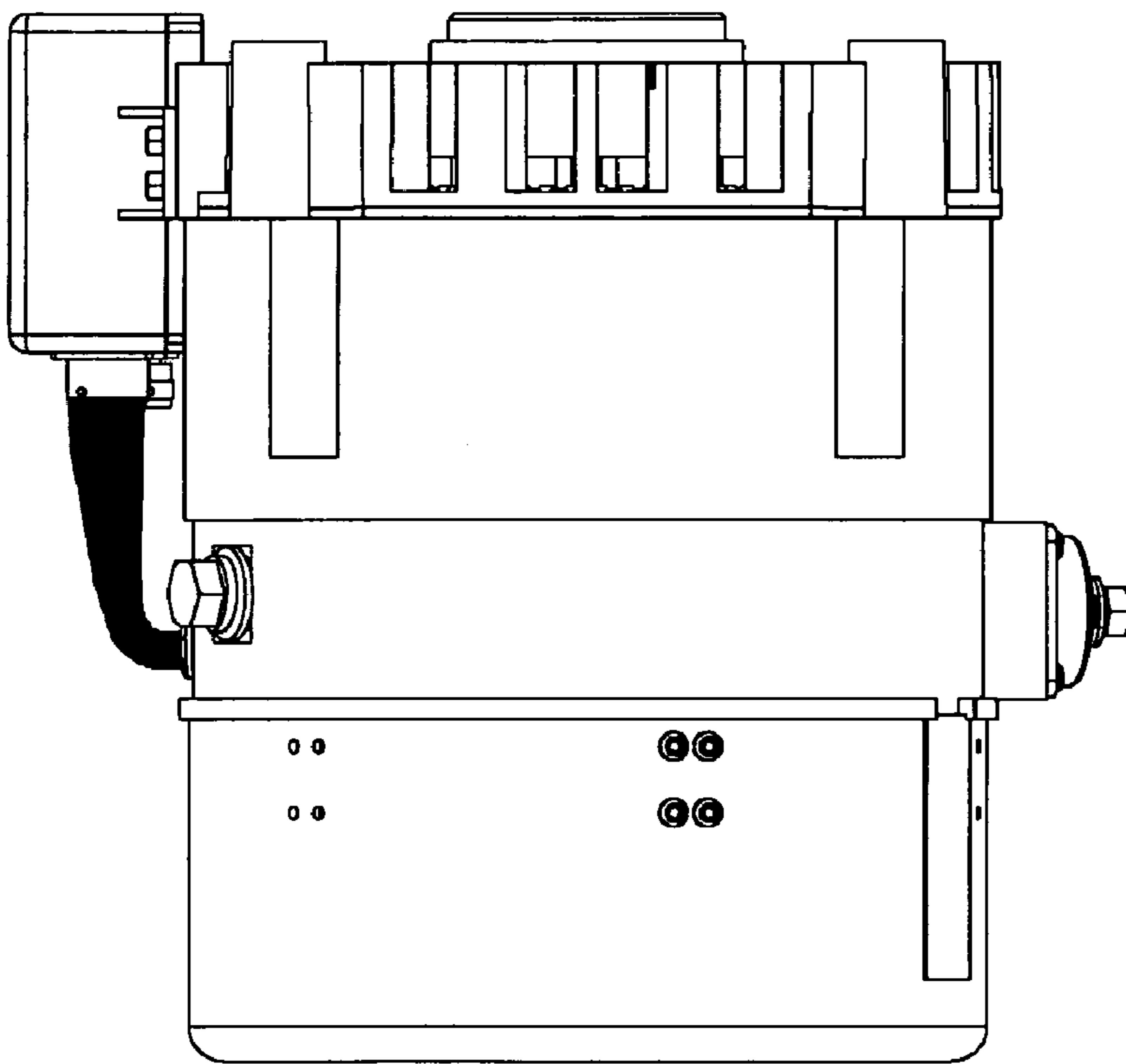


FIG. 4

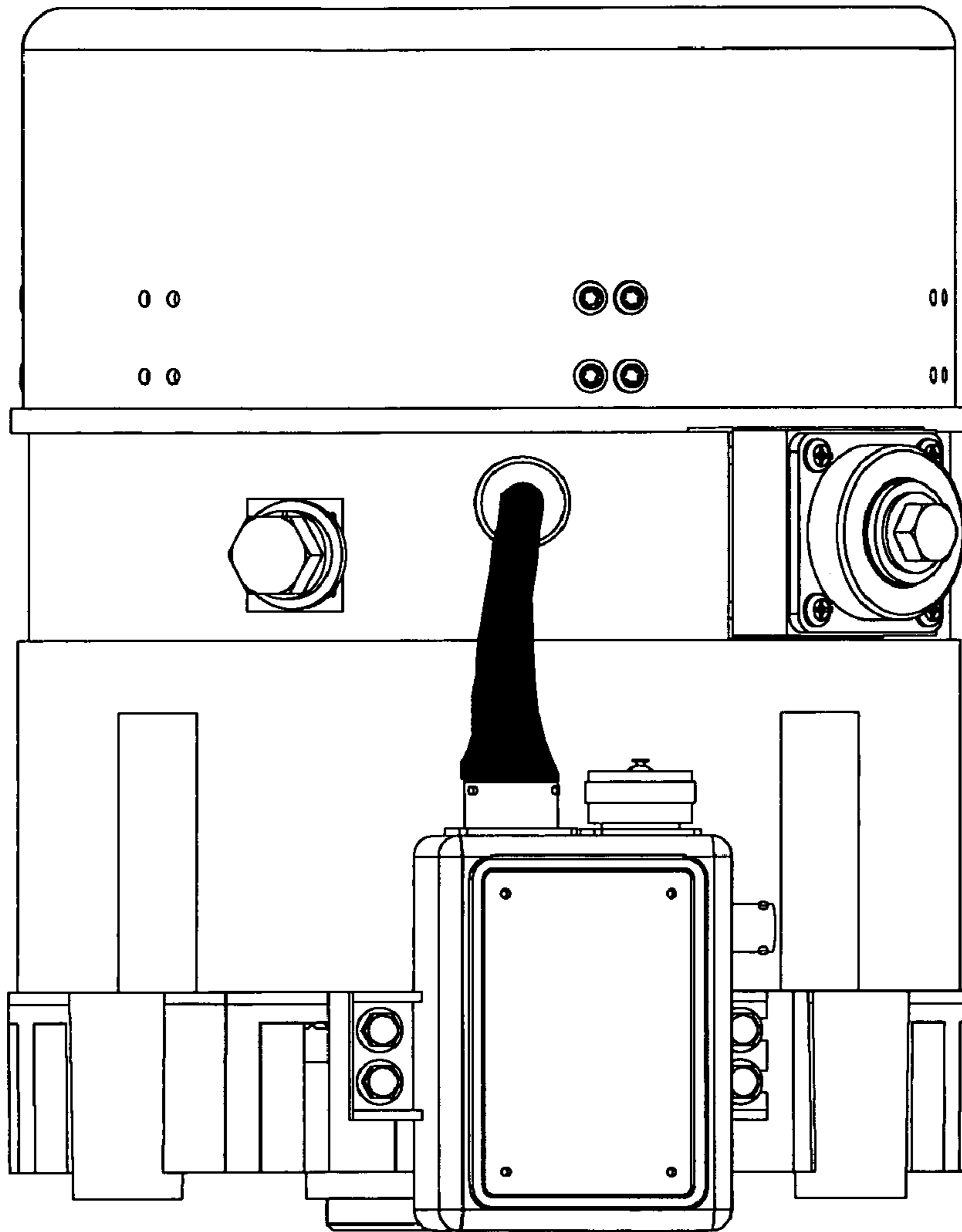


FIG. 5

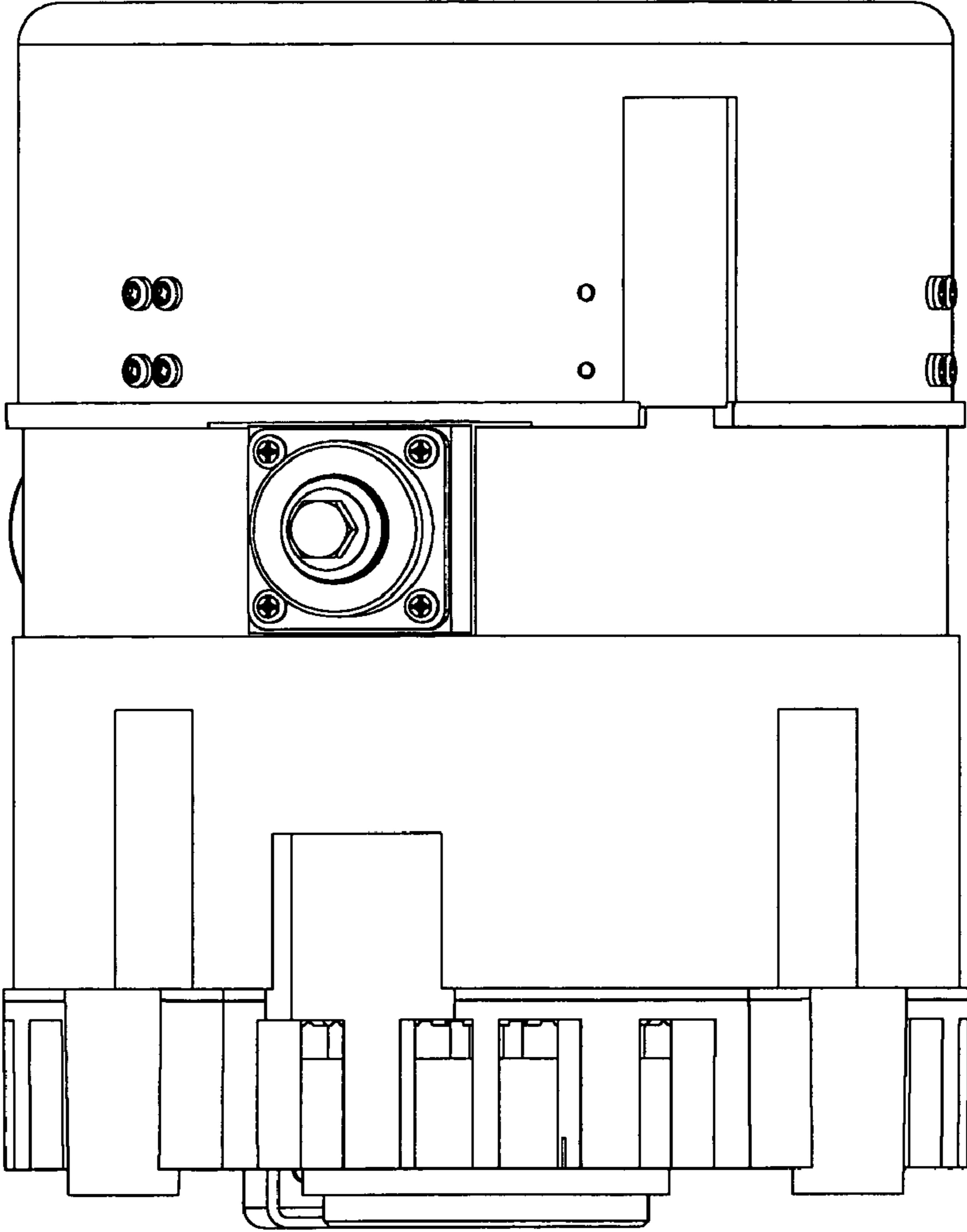


FIG. 6

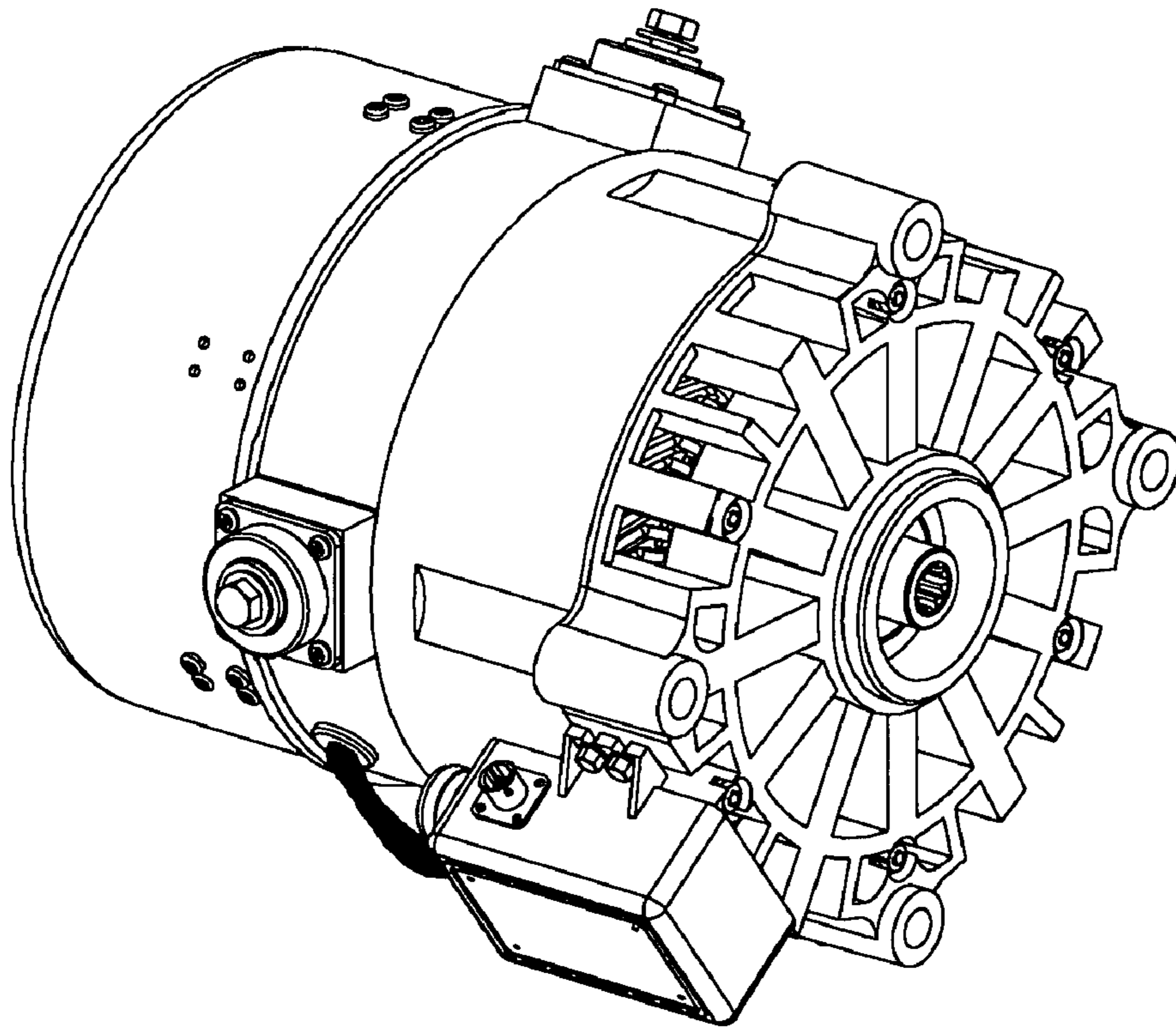


FIG. 7



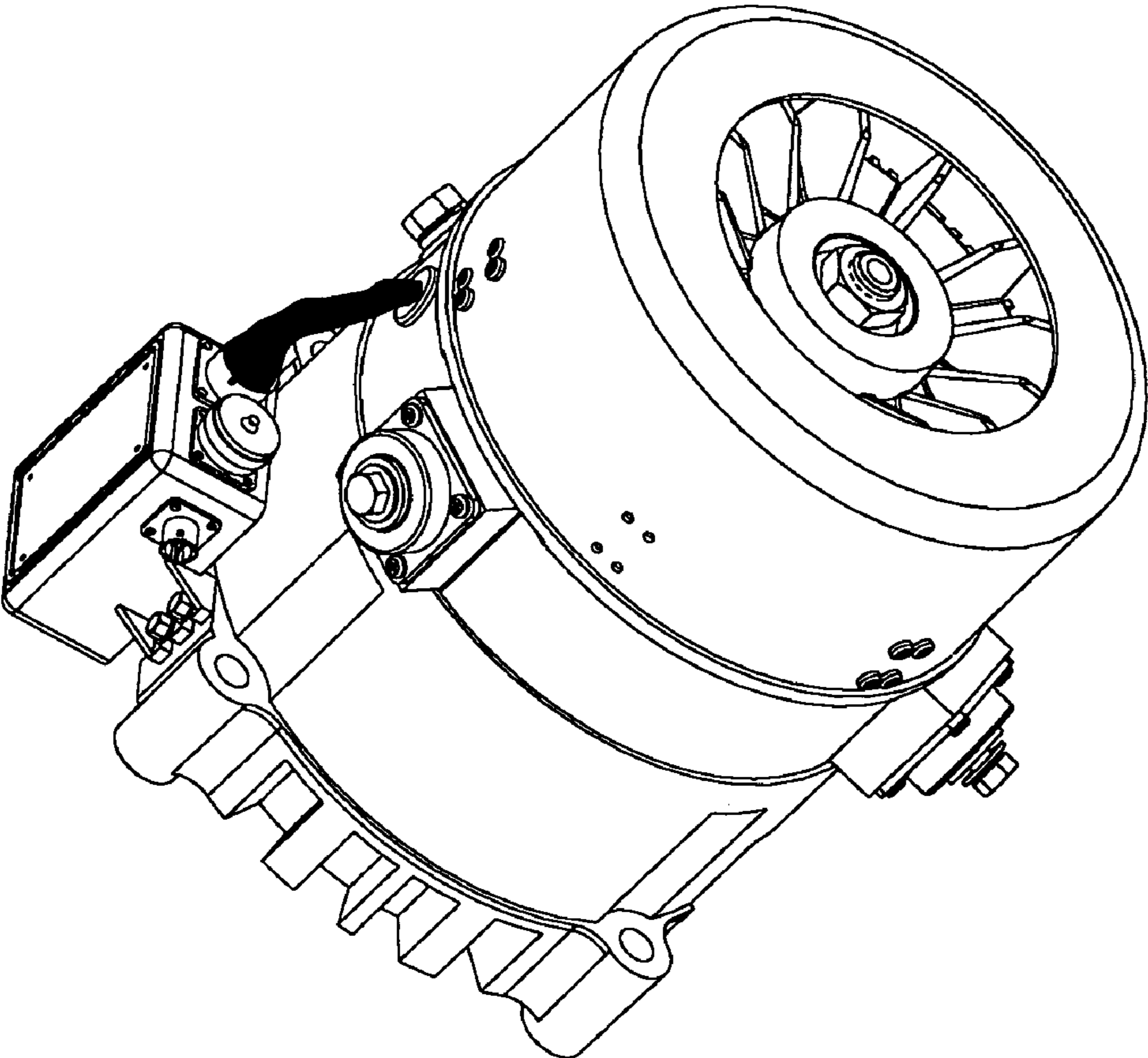


FIG. 8