



US00D574324S

(12) **United States Design Patent**
Hara et al.

(10) **Patent No.:** **US D574,324 S**
(45) **Date of Patent:** **** Aug. 5, 2008**

(54) **SMALL-SIZED MOTOR**

(75) Inventors: **Kentaro Hara**, Tokyo (JP); **Takeshi Hasegawa**, Tokyo (JP)

(73) Assignee: **Nidec Copal Coporation**, Tokyo (JP)

(**) Term: **14 Years**

(21) Appl. No.: **29/283,765**

(22) Filed: **Aug. 23, 2007**

(30) **Foreign Application Priority Data**

Apr. 26, 2007 (JP) 2007-011294

(51) **LOC (8) Cl.** **13-01**

(52) **U.S. Cl.** **D13/112**

(58) **Field of Classification Search** D13/112,
D13/113, 114, 122, 199; 310/15, 40, 81,
310/89; 340/388.1, 407.1; 381/191

See application file for complete search history.

(56) **References Cited**

U.S. PATENT DOCUMENTS

- D287,715 S * 1/1987 Pittman et al. D13/112
- D372,457 S * 8/1996 Okuyama et al. D13/112
- 5,952,745 A * 9/1999 Yasuda 310/40 MM
- 6,081,055 A * 6/2000 Narusawa 310/81
- 6,133,657 A * 10/2000 Semenik et al. 310/81
- 6,323,757 B1 * 11/2001 Nagai 340/407.1
- D457,493 S 5/2002 Borges
- D464,621 S * 10/2002 Segawa D13/112
- D534,121 S 12/2006 Morita et al.

- 2002/0158528 A1 * 10/2002 Tsuzaki et al. 310/81
- 2003/0107276 A1 * 6/2003 Chen 310/81
- 2005/0206257 A1 9/2005 Takagi et al.

FOREIGN PATENT DOCUMENTS

- JP 1041948 6/1999
- JP 1078684 7/2000
- JP 1108028 5/2001
- JP 1202942 4/2004
- JP 1202943 4/2004

* cited by examiner

Primary Examiner—Prabhakar Deshmukh

Assistant Examiner—Derrick Holland

(74) *Attorney, Agent, or Firm*—Darby & Darby P.C.

(57) **CLAIM**

The ornamental design for small-sized motor, as shown and described.

DESCRIPTION

FIG. 1 is a top left perspective view of my new design for a small-sized motor;

FIG. 2 is a left side view thereof, the right side being a mirror image;

FIG. 3 is a top plan view thereof;

FIG. 4 is a bottom plan view thereof;

FIG. 5 is a rear view thereof; and,

FIG. 6 is a front view of our new design for a small-sized motor.

1 Claim, 2 Drawing Sheets

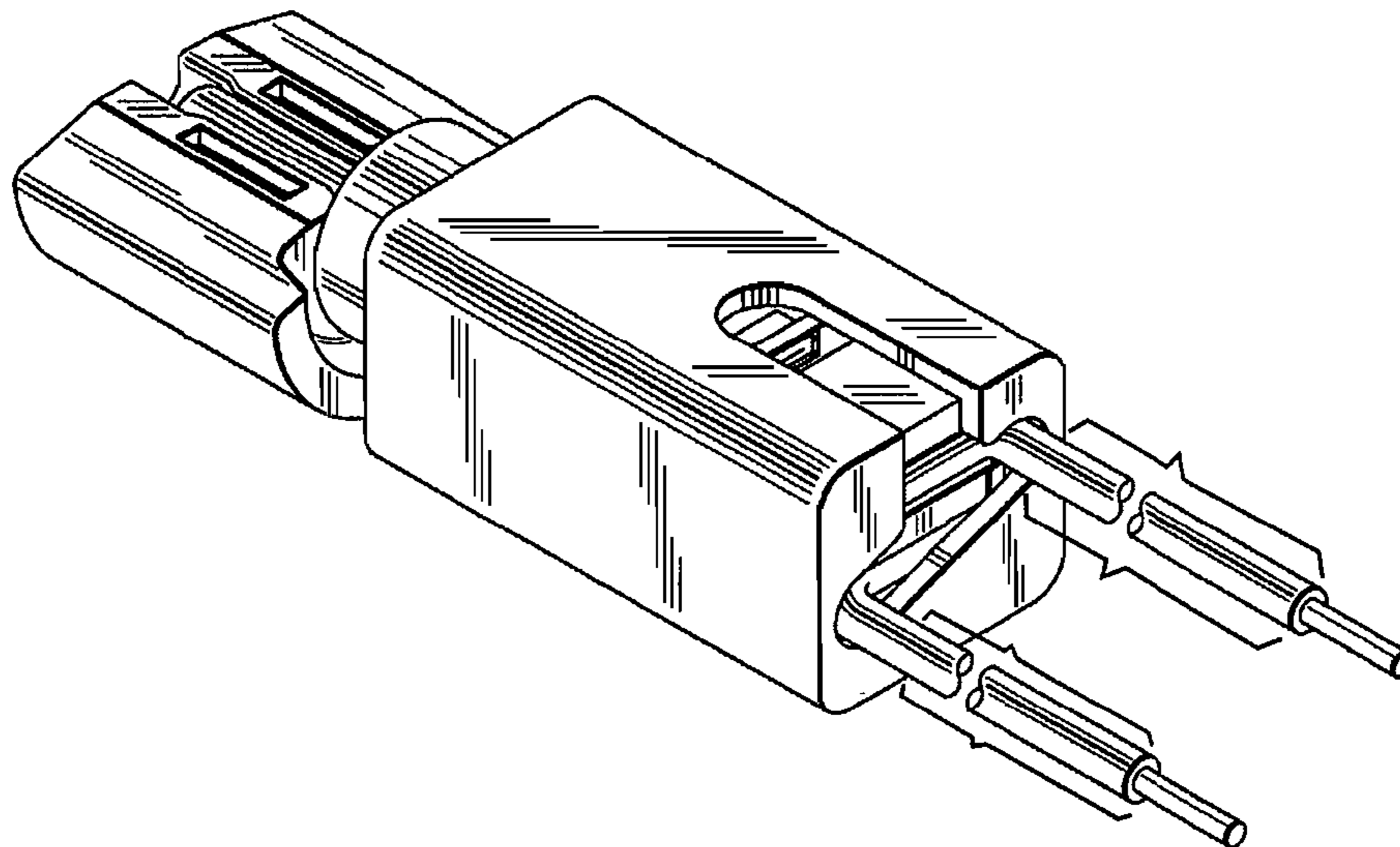


FIG.1

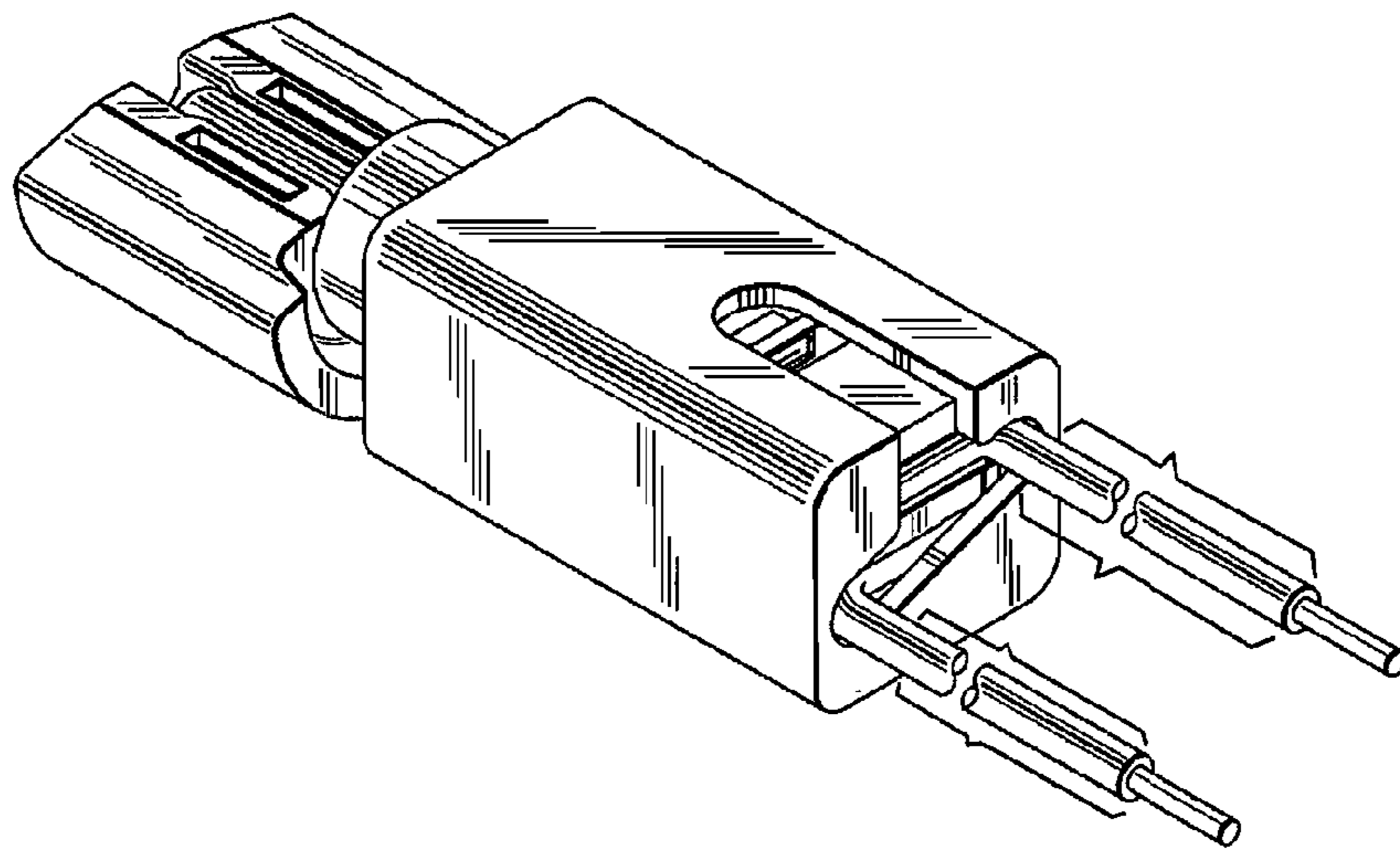


FIG.2

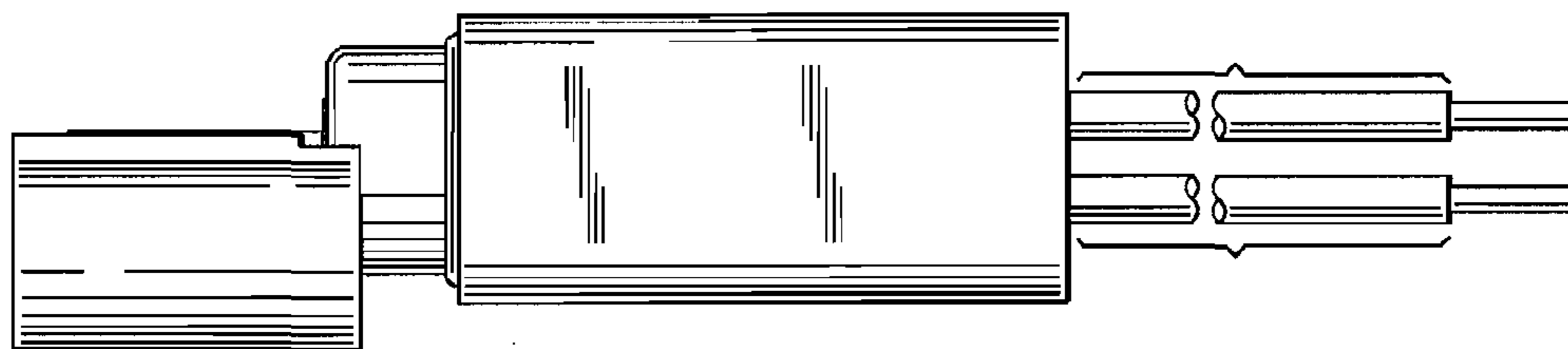


FIG.3

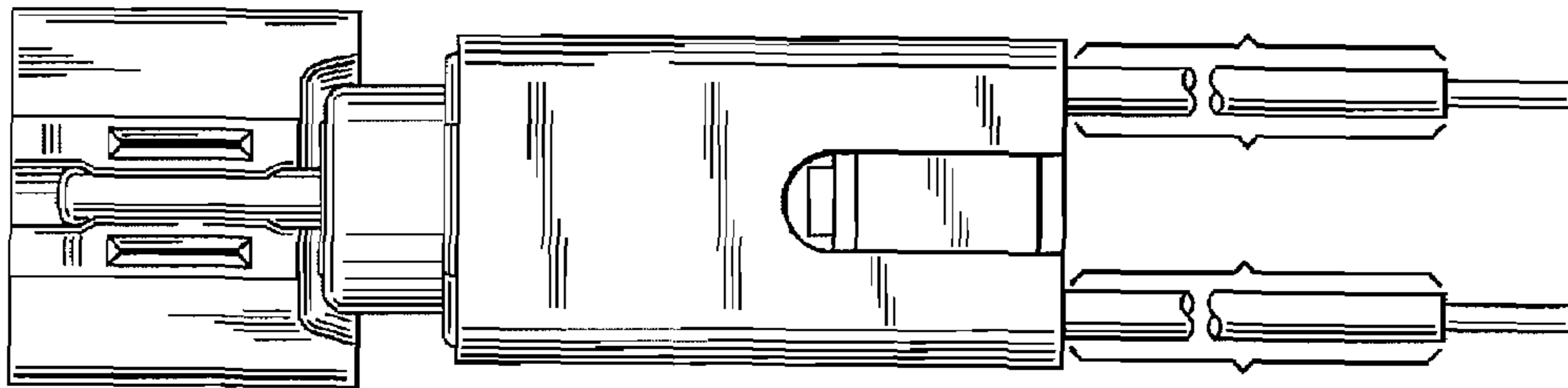


FIG.4

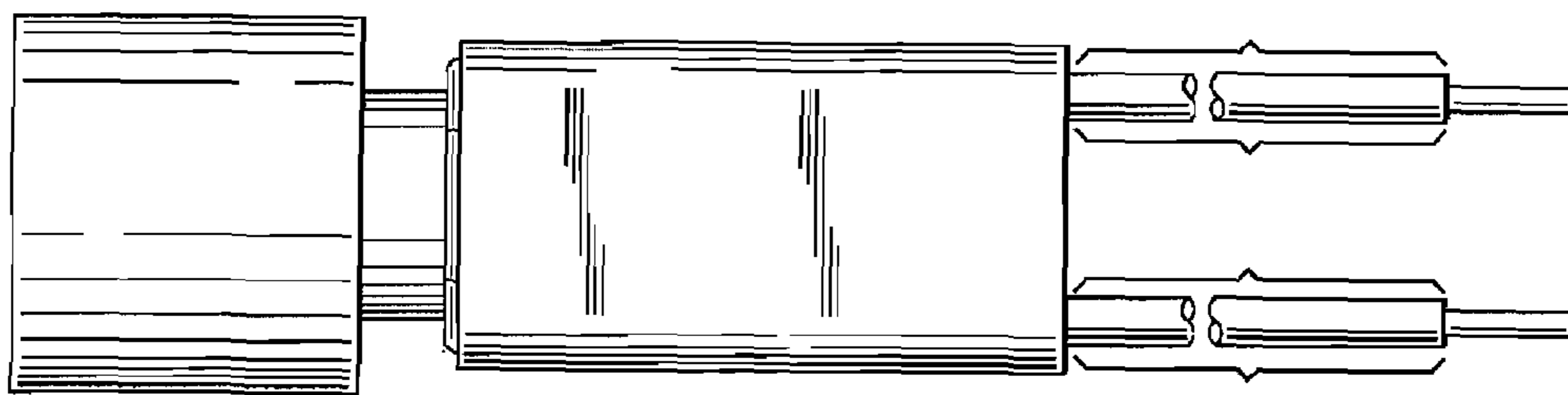


FIG.5

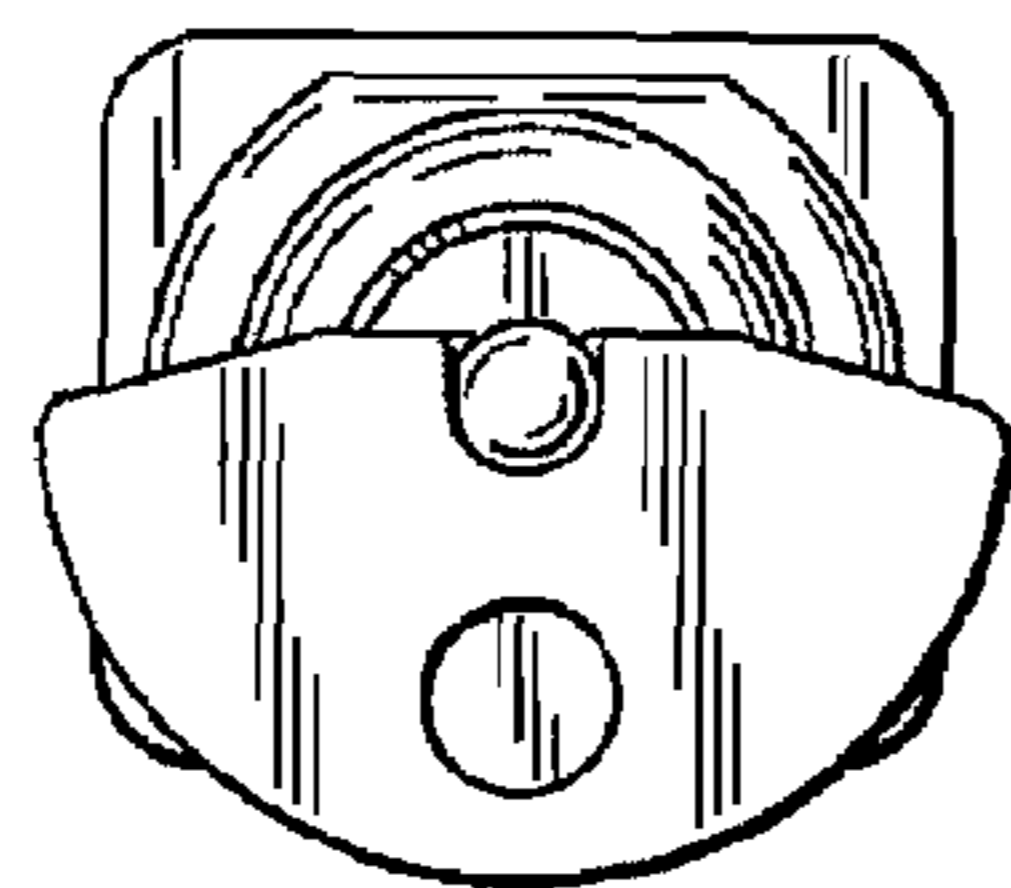


FIG.6

