

US00D574323S

(12) **United States Design Patent**  
**Waler**

(10) **Patent No.:** **US D574,323 S**

(45) **Date of Patent:** **\*\* Aug. 5, 2008**

(54) **GENERATOR**

(75) Inventor: **Luke Waaler**, Longmont, CO (US)

(73) Assignee: **Tyco Healthcare Group LP**, North Haven, CT (US)

(\*\*) Term: **14 Years**

(21) Appl. No.: **29/272,610**

(22) Filed: **Feb. 12, 2007**

(51) **LOC (8) Cl.** ..... **13-01**

(52) **U.S. Cl.** ..... **D13/112**

(58) **Field of Classification Search** ..... D13/112,  
D13/114, 122, 123, 184, 199; D24/170;  
310/311, 314; 322/1; 606/1, 34; 607/10  
See application file for complete search history.

(56) **References Cited**

**U.S. PATENT DOCUMENTS**

1,787,709 A	1/1931	Wappler
1,813,902 A	7/1931	Bovie
1,841,968 A	1/1932	Lowry
1,863,118 A	6/1932	Liebel
1,945,867 A	2/1934	Rawls
2,827,056 A	3/1958	Degelman
2,849,611 A	8/1958	Adams
3,058,470 A	10/1962	Seeliger et al.
3,089,496 A	5/1963	Degelman
3,163,165 A	12/1964	Islikawa
3,252,052 A	5/1966	Nash
3,391,351 A	7/1968	Trent
3,413,480 A	11/1968	Biard et al.
3,436,563 A	4/1969	Regitz
3,439,253 A	4/1969	Piteo
3,439,680 A	4/1969	Thomas, Jr.
3,461,874 A	8/1969	Martinez
3,471,770 A	10/1969	Haire
3,478,744 A	11/1969	Leiter
3,486,115 A	12/1969	Anderson
3,495,584 A	2/1970	Schwalm
3,513,353 A	5/1970	Lansch
3,514,689 A	5/1970	Giannamore
3,515,943 A	6/1970	Warrington

3,551,786 A	12/1970	Van Gulik
3,562,623 A	2/1971	Farnsworth
3,571,644 A	3/1971	Jakobovitch
3,589,363 A	6/1971	Banko
3,595,221 A	7/1971	Blackett
3,601,126 A	8/1971	Estes
3,611,053 A	10/1971	Rowell

(Continued)

**FOREIGN PATENT DOCUMENTS**

DE 179607 3/1905

(Continued)

**OTHER PUBLICATIONS**

J.M. Muller, R. Desombre and T. Junghans, B. Bohm; Innovations that Work; Clinical Advancements for the Innovative Surgeon: Extended Left Hemocolectomy using the LigaSure™ Vessel Sealing System; Sep. 1999; 4 pages.

(Continued)

*Primary Examiner*—Prabhakar Deshmukh  
*Assistant Examiner*—Derrick Holland

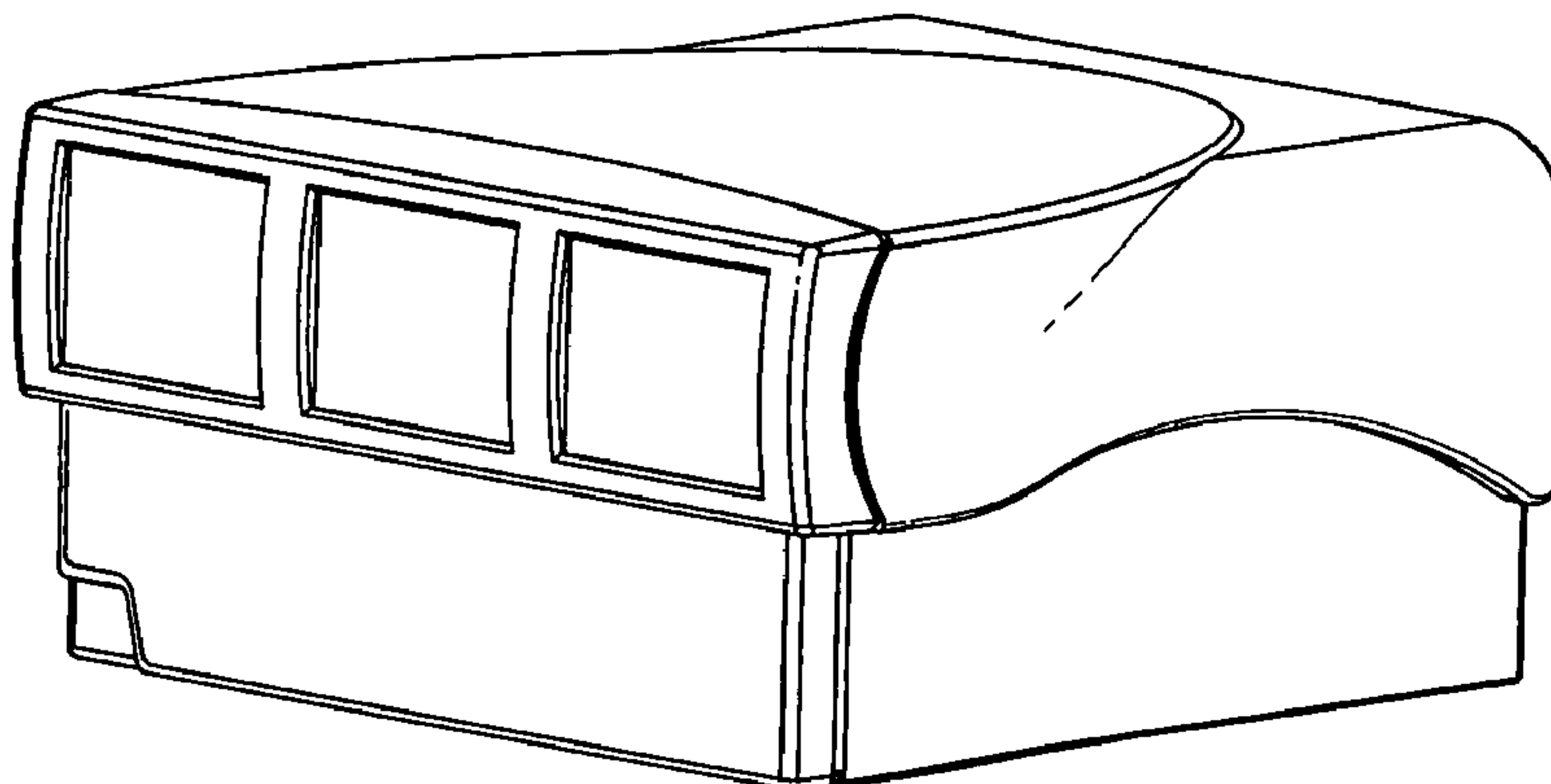
(57) **CLAIM**

The ornamental design for a generator, as shown and described.

**DESCRIPTION**

FIG. 1 is a front perspective view of a generator showing my new design;  
FIG. 2 is a rear perspective view thereof;  
FIG. 3 is a front elevation view thereof;  
FIG. 4 is a rear elevation view thereof;  
FIG. 5 is a top plan view thereof;  
FIG. 6 is a bottom plan view thereof;  
FIG. 7 is a right side elevational view thereof; and,  
FIG. 8 is a left side elevational view thereof.

**1 Claim, 4 Drawing Sheets**



# US D574,323 S

Page 2

U.S. PATENT DOCUMENTS					
			4,436,091	A	3/1984 Banko
			4,437,464	A	3/1984 Crow
			4,438,766	A	3/1984 Bowers
			4,463,759	A	8/1984 Garito et al.
			4,472,661	A	9/1984 Culver
			4,474,179	A	10/1984 Koch
			4,492,231	A	1/1985 Auth
			4,492,832	A	1/1985 Taylor
			4,494,541	A	1/1985 Archibald
			4,514,619	A	4/1985 Kugelman
			4,520,818	A	6/1985 Mickiewicz
			4,559,943	A	12/1985 Bowers
			4,565,200	A	1/1986 Cosman
			4,566,454	A	1/1986 Mehl et al.
			4,569,345	A	2/1986 Manes
			4,582,057	A	4/1986 Auth et al.
			4,590,934	A	5/1986 Malis et al.
			4,608,977	A	9/1986 Brown
			4,630,218	A	12/1986 Hurley
			4,632,109	A	12/1986 Patterson
			4,644,955	A	2/1987 Mioduski
			4,651,264	A	3/1987 Shiao-Chung Hu
			4,651,280	A	3/1987 Chang et al.
			4,657,015	A	4/1987 Irnich
			4,658,815	A	4/1987 Farin et al.
			4,658,819	A	4/1987 Harris et al.
			4,658,820	A	4/1987 Klicek
			4,662,383	A	5/1987 Sogawa et al.
			4,681,378	A	7/1987 Hellman, III
			4,691,703	A	9/1987 Auth et al.
			4,727,874	A	3/1988 Bowers et al.
			4,735,204	A	4/1988 Sussman et al.
			4,739,759	A	4/1988 Rexroth et al.
			4,741,334	A	5/1988 Irnich
			4,754,757	A	7/1988 Feucht
			4,788,634	A	11/1988 Schlecht et al.
			4,798,082	A *	1/1989 Fujikawa et al. .... 73/117.3
			4,805,621	A	2/1989 Heinze et al.
			4,818,954	A	4/1989 Flachenecker et al.
			4,827,927	A	5/1989 Newton
			4,848,335	A	7/1989 Manes
			4,860,745	A	8/1989 Farin et al.
			4,862,889	A	9/1989 Feucht
			4,890,610	A	1/1990 Kirwan et al.
			4,903,696	A	2/1990 Stasz et al.
			4,907,589	A	3/1990 Cosman
			4,922,210	A	5/1990 Flachenecker et al.
			4,931,047	A	6/1990 Broadwin et al.
			4,931,717	A	6/1990 Gray et al.
			4,938,761	A	7/1990 Ensslin
			4,942,313	A	7/1990 Kinzel
			4,961,047	A	10/1990 Carder
			4,961,435	A	10/1990 Kitagawa et al.
			4,966,597	A	10/1990 Cosman
			4,969,885	A	11/1990 Farin
			4,993,430	A	2/1991 Shimoyama et al.
			4,995,877	A	2/1991 Ams et al.
			5,015,227	A	5/1991 Broadwin et al.
			5,024,668	A	6/1991 Peters et al.
			5,041,110	A	8/1991 Fleenor
			5,087,257	A	2/1992 Farin
			5,103,804	A	4/1992 Abele et al.
			5,108,389	A	4/1992 Cosmescu
			5,108,391	A	4/1992 Flachenecker
			5,122,137	A	6/1992 Lennox
			5,133,711	A	7/1992 Hagen
			5,151,102	A	9/1992 Kamiyama et al.
			5,152,762	A	10/1992 McElhenney
			5,157,603	A	10/1992 Scheller et al.
			5,160,334	A	11/1992 Billings et al.
			5,167,658	A	12/1992 Ensslin
			5,190,517	A	3/1993 Zieve et al.
			5,196,008	A	3/1993 Kuenecke



# US D574,323 S

5,196,009 A	3/1993	Kirwan, Jr.	5,540,684 A	7/1996	Hassler, Jr.
5,201,900 A	4/1993	Nardella	5,556,396 A	9/1996	Cohen et al.
5,207,691 A	5/1993	Nardella	5,558,671 A	9/1996	Yates
5,230,623 A	7/1993	Guthrie et al.	5,569,242 A	10/1996	Lax et al.
5,233,515 A	8/1993	Cosman	5,571,147 A	11/1996	Sluijter et al.
5,249,121 A	9/1993	Baum et al.	5,573,533 A	11/1996	Strul
5,254,117 A	10/1993	Rigby et al.	5,582,611 A	12/1996	Tsuruta et al.
RE34,432 E	11/1993	Bertrand	5,584,830 A	12/1996	Ladd et al.
5,267,994 A	12/1993	Gentelia et al.	5,588,432 A	12/1996	Crowley
5,267,997 A	12/1993	Farin	5,596,466 A	1/1997	Ochi
5,281,213 A	1/1994	Milder et al.	5,599,344 A	2/1997	Paterson
5,300,068 A	4/1994	Rosar et al.	5,599,345 A	2/1997	Edwards et al.
5,300,070 A	4/1994	Gentelia	5,599,348 A	2/1997	Gentelia et al.
5,318,563 A	6/1994	Malis et al.	5,605,150 A	2/1997	Radons et al.
5,323,778 A	6/1994	Kandarpa et al.	5,611,798 A	3/1997	Eggers
5,324,283 A	6/1994	Heckele	5,613,966 A	3/1997	Makower et al.
5,330,469 A	7/1994	Fleenor	5,626,575 A	5/1997	Crenner
5,330,518 A	7/1994	Neilson et al.	5,628,745 A	5/1997	Bek
5,334,193 A	8/1994	Nardella	5,643,330 A	7/1997	Holsheimer et al.
5,341,807 A	8/1994	Nardella	5,647,869 A	7/1997	Goble et al.
5,342,356 A	8/1994	Ellman	5,647,871 A	7/1997	Levine et al.
5,342,357 A	8/1994	Nardella	5,651,780 A	7/1997	Jackson et al.
5,342,409 A	8/1994	Mullett	5,658,322 A	8/1997	Fleming
5,348,554 A	9/1994	Imran et al.	5,660,567 A	8/1997	Nierlich et al.
5,370,645 A	12/1994	Klicek et al.	5,662,644 A	9/1997	Swor
5,370,672 A	12/1994	Fowler et al.	5,674,217 A	10/1997	Wahlstrom et al.
5,370,675 A	12/1994	Edwards et al.	D386,746 S *	11/1997	Su ..... D13/123
5,372,596 A	12/1994	Klicek et al.	5,685,840 A	11/1997	Schechter et al.
5,383,874 A	1/1995	Jackson	5,688,267 A	11/1997	Panescu et al.
5,383,876 A	1/1995	Nardella	5,693,042 A	12/1997	Boiarski et al.
5,383,917 A	1/1995	Desai et al.	5,694,304 A	12/1997	Telefus et al.
5,385,148 A	1/1995	Lesh et al.	5,695,494 A	12/1997	Becker
5,389,098 A	2/1995	Tsuruta et al.	5,702,386 A	12/1997	Stern et al.
5,400,267 A	3/1995	Denen et al.	5,702,429 A	12/1997	King
5,403,311 A	4/1995	Abele et al.	5,707,369 A	1/1998	Vaitekunas et al.
5,403,312 A	4/1995	Yates et al.	5,712,772 A	1/1998	Telefus et al.
5,409,000 A	4/1995	Imran	5,713,896 A	2/1998	Nardella
5,409,485 A	4/1995	Suda	5,720,744 A	2/1998	Eggleston et al.
5,413,573 A	5/1995	Koivukangas	5,722,975 A	3/1998	Edwards et al.
5,414,238 A	5/1995	Steigerwald et al.	5,733,281 A	3/1998	Nardella
5,417,719 A	5/1995	Hull et al.	5,749,869 A	5/1998	Lindenmeier et al.
5,422,567 A	6/1995	Matsunaga	5,749,871 A	5/1998	Hood et al.
5,423,808 A	6/1995	Edwards et al.	5,755,715 A	5/1998	Stern
5,423,809 A	6/1995	Klicek	5,766,130 A	6/1998	Selmonosky
5,423,810 A	6/1995	Goble et al.	5,766,165 A	6/1998	Gentelia et al.
5,425,704 A	6/1995	Sakurai et al.	5,769,847 A	6/1998	Panescu
5,430,434 A	7/1995	Lederer et al.	5,772,659 A	6/1998	Becker et al.
5,432,459 A	7/1995	Thompson	5,792,138 A	8/1998	Shipp
5,433,739 A	7/1995	Sluijter et al.	5,797,902 A	8/1998	Netherly
5,436,566 A	7/1995	Thompson	5,814,092 A	9/1998	King
5,438,302 A	8/1995	Goble	5,817,093 A	10/1998	Williamson, IV et al.
5,443,463 A	8/1995	Stern et al.	5,820,568 A	10/1998	Willis
5,445,635 A	8/1995	Denen	5,827,271 A	10/1998	Buysse et al.
5,451,224 A	9/1995	Goble et al.	5,830,212 A	11/1998	Cartmell
5,458,597 A	10/1995	Edwards et al.	5,836,909 A	11/1998	Cosmescu
5,462,521 A	10/1995	Brucker et al.	5,836,943 A	11/1998	Miller, III
5,472,441 A	12/1995	Edwards et al.	5,836,990 A	11/1998	Li
5,472,443 A	12/1995	Cordis et al.	5,846,236 A	12/1998	Lindenmeier et al.
5,480,399 A	1/1996	Hebborn	5,868,737 A	2/1999	Taylor et al.
5,483,952 A	1/1996	Aranyi	5,868,739 A	2/1999	Lindenmeier et al.
5,485,312 A	1/1996	Klicek	5,868,740 A	2/1999	LeVeen et al.
5,496,312 A	3/1996	Klicek	5,871,481 A	2/1999	Kannenberget al.
5,496,313 A	3/1996	Gentelia et al.	5,897,552 A	4/1999	Edwards et al.
5,500,012 A	3/1996	Brucker et al.	5,908,444 A	6/1999	Azure
5,500,616 A	3/1996	Ochi	5,913,882 A	6/1999	King
5,514,129 A	5/1996	Smith	5,921,982 A	7/1999	Lesh et al.
5,518,310 A	5/1996	Ellman et al.	5,925,070 A	7/1999	King et al.
5,520,684 A	5/1996	Imran	5,931,836 A	8/1999	Hatta et al.
5,531,774 A	7/1996	Schulman et al.	5,938,690 A	8/1999	Law et al.
5,534,018 A	7/1996	Wahlstrand et al.	5,948,007 A	9/1999	Starkebaum et al.
5,536,267 A	7/1996	Edwards et al.	5,951,545 A	9/1999	Schilling
5,540,681 A	7/1996	Strul et al.	5,951,546 A	9/1999	Lorentzen
5,540,683 A	7/1996	Ichikawa	5,954,686 A	9/1999	Garito et al.



# US D574,323 S

5,954,717 A	9/1999	Behl et al.	6,464,696 B1	10/2002	Oyama
5,954,719 A	9/1999	Chen et al.	6,506,189 B1	1/2003	Rittman, III et al.
5,961,344 A	10/1999	Rosales et al.	6,508,815 B1	1/2003	Strul
5,971,980 A	10/1999	Sherman	6,511,476 B2	1/2003	Hareyama
5,976,128 A	11/1999	Schilling et al.	6,511,478 B1	1/2003	Burnside
5,983,141 A	11/1999	Sluijter et al.	6,517,538 B1	2/2003	Jacob et al.
6,004,335 A	12/1999	Vaitekunas et al.	6,524,308 B1	2/2003	Muller et al.
6,010,499 A	1/2000	Cobb	6,547,786 B1	4/2003	Goble
6,014,581 A	1/2000	Whayne et al.	6,558,376 B2	5/2003	Bishop
6,033,399 A	3/2000	Gines	6,562,037 B2	5/2003	Paton
6,044,283 A	3/2000	Fein et al.	6,565,559 B2	5/2003	Eggleston
6,053,910 A	4/2000	Fleenor	6,575,969 B1	6/2003	Rittman, III et al.
6,053,912 A	4/2000	Panescu et al.	6,582,427 B1	6/2003	Goble et al.
6,055,458 A	4/2000	Cochran et al.	6,620,157 B1	9/2003	Dabney et al.
6,056,745 A	5/2000	Panescu et al.	6,623,423 B2	9/2003	Sakurai
6,056,746 A	5/2000	Goble et al.	6,635,057 B2	10/2003	Harano
6,063,075 A	5/2000	Mihori	6,648,883 B2	11/2003	Francischelli
6,063,078 A	5/2000	Wittkamp	6,652,514 B2	11/2003	Ellman
6,068,627 A	5/2000	Orszulak et al.	6,663,623 B1	12/2003	Oyama
6,074,386 A	6/2000	Goble et al.	6,663,624 B2	12/2003	Edwards
6,074,388 A	6/2000	Tockweiler et al.	6,666,860 B1	12/2003	Takahashi
6,080,149 A	6/2000	Huang et al.	6,676,660 B2	1/2004	Wampler et al.
6,086,586 A	7/2000	Hooven	6,679,875 B2	1/2004	Honda
6,093,186 A	7/2000	Goble	6,682,527 B2	1/2004	Strul
6,102,497 A	8/2000	Ehr et al.	6,685,700 B2	2/2004	Behl
6,113,591 A	9/2000	Whayne et al.	6,685,701 B2	2/2004	Orszulak et al.
6,113,596 A	9/2000	Hooven et al.	6,692,489 B1	2/2004	Heim
6,123,702 A	9/2000	Swanson et al.	6,712,813 B2	3/2004	Ellman
6,132,429 A	10/2000	Baker	D490,374 S *	5/2004	Amakawa et al. .... D13/112
6,142,992 A	11/2000	Cheng et al.	6,730,080 B2	5/2004	Harano
6,155,975 A	12/2000	Urich et al.	6,733,495 B1	5/2004	Bek
6,162,217 A	12/2000	Kannenberget al.	6,733,498 B2	5/2004	Paton
6,171,304 B1	1/2001	Netherly et al.	6,740,079 B1	5/2004	Eggers
6,203,541 B1	3/2001	Keppel	6,740,085 B2	5/2004	Hareyama
6,210,403 B1	4/2001	Klicek	D491,666 S *	6/2004	Kimmell et al. .... D24/170
6,228,080 B1	5/2001	Gines	6,783,523 B2	8/2004	Qin
6,228,081 B1	5/2001	Goble	6,786,905 B2	9/2004	Swanson et al.
6,231,569 B1	5/2001	Bek	6,790,206 B2	9/2004	Panescu
6,235,020 B1	5/2001	Cheng et al.	6,796,981 B2	9/2004	Wham
6,238,387 B1	5/2001	Miller, III	6,824,539 B2	11/2004	Novak
6,238,388 B1	5/2001	Ellman	6,830,569 B2	12/2004	Thompson
6,241,725 B1	6/2001	Cosman	6,843,789 B2	1/2005	Goble
6,245,065 B1	6/2001	Panescu	6,849,073 B2	2/2005	Hoey
6,246,912 B1	6/2001	Sluijter et al.	6,855,141 B2	2/2005	Lovewell
6,251,106 B1	6/2001	Becker et al.	6,855,142 B2	2/2005	Harano
6,258,085 B1	7/2001	Eggleston	D503,380 S *	3/2005	Guion ..... D13/112
6,261,285 B1	7/2001	Novak	6,860,881 B2	3/2005	Sturm
6,261,286 B1	7/2001	Goble et al.	6,864,686 B2	3/2005	Novak
6,273,886 B1	8/2001	Edwards	6,875,210 B2	4/2005	Refior
6,275,786 B1	8/2001	Daners	6,893,435 B2	5/2005	Goble
6,293,941 B1	9/2001	Strul	6,942,662 B2	9/2005	Goble et al.
6,293,942 B1	9/2001	Goble et al.	7,044,948 B2	5/2006	Keppel
6,296,636 B1	10/2001	Cheng et al.	7,044,949 B2	5/2006	Orszulak et al.
6,306,131 B1	10/2001	Hareyama et al.	7,060,063 B2	6/2006	Marion et al.
6,306,134 B1	10/2001	Goble et al.	7,063,692 B2	6/2006	Sakurai et al.
6,309,386 B1	10/2001	Bek	7,066,933 B2	6/2006	Hagg
6,325,799 B1	12/2001	Goble	7,131,860 B2	11/2006	Sartor et al.
6,337,998 B1	1/2002	Behl et al.	7,137,980 B2	11/2006	Buysse et al.
6,338,657 B1	1/2002	Harper et al.	7,172,591 B2	2/2007	Harano et al.
6,350,262 B1	2/2002	Ashley	2001/0014804 A1	8/2001	Gobel et al.
6,358,245 B1	3/2002	Edwards	2001/0029315 A1	10/2001	Sakurai et al.
6,364,877 B1	4/2002	Goble et al.	2001/0031962 A1	10/2001	Eggleston
6,383,183 B1	5/2002	Sekino et al.	2002/0035363 A1	3/2002	Edwards et al.
6,391,024 B1	5/2002	Sun et al.	2002/0035364 A1	3/2002	Schoenman et al.
6,398,779 B1	6/2002	Buysse et al.	2002/0052599 A1	5/2002	Goble
6,398,781 B1	6/2002	Goble et al.	2002/0068932 A1	6/2002	Edwards
6,402,741 B1	6/2002	Keppel et al.	2002/0107517 A1	8/2002	Witt et al.
6,402,743 B1	6/2002	Orszulak et al.	2002/0111624 A1	8/2002	Witt et al.
6,416,509 B1	7/2002	Goble et al.	2002/0151889 A1	10/2002	Swanson et al.
6,436,096 B1	8/2002	Hareyama	2002/0193787 A1	12/2002	Qin
6,451,015 B1	9/2002	Rittman, III et al.	2003/0004510 A1	1/2003	Wham et al.
6,458,121 B1	10/2002	Rosenstock	2003/0060818 A1	3/2003	Kannenberget al.
6,464,689 B1	10/2002	Qin	2003/0078572 A1	4/2003	Pearson et al.



# US D574,323 S

Page 5

2003/0139741	A1	7/2003	Goble et al.	DE	2823291	11/1979
2003/0153908	A1	8/2003	Goble	DE	2946728	5/1981
2003/0158549	A1	8/2003	Swanson	DE	3143421	5/1982
2003/0163123	A1	8/2003	Goble	DE	3045996	7/1982
2003/0163124	A1	8/2003	Goble	DE	3120102	12/1982
2003/0171745	A1	9/2003	Francischelli	DE	3510586	10/1986
2003/0199863	A1	10/2003	Swanson	DE	3604823	8/1987
2003/0225401	A1	12/2003	Eggers et al.	DE	390937	4/1989
2004/0002745	A1	1/2004	Flemming	DE	3904558	8/1990
2004/0015163	A1	1/2004	Buysse et al.	DE	3942998	7/1991
2004/0015216	A1	1/2004	DeSisto	DE	4339049	5/1995
2004/0019347	A1	1/2004	Sakurai	DE	19717411	11/1998
2004/0024395	A1	2/2004	Ellman	DE	19848540	5/2000
2004/0030328	A1	2/2004	Eggers	EP	246350	11/1987
2004/0030330	A1	2/2004	Brasselt et al.	EP	310431	4/1989
2004/0044339	A1	3/2004	Beller	EP	325456	7/1989
2004/0049179	A1	3/2004	Francischelli	EP	336742	10/1989
2004/0054365	A1	3/2004	Goble	EP	390937	10/1990
2004/0059323	A1	3/2004	Sturm et al.	EP	556705	8/1993
2004/0068304	A1	4/2004	Paton	EP	569130	11/1993
2004/0082946	A1	4/2004	Malis	EP	608609	8/1994
2004/0095100	A1	5/2004	Thompson	EP	694291	1/1996
2004/0097912	A1	5/2004	Gonnering	EP	836868	4/1998
2004/0097914	A1	5/2004	Pantera	EP	878169	11/1998
2004/0097915	A1	5/2004	Refior	EP	0986 990	3/2000
2004/0116919	A1	6/2004	Heim	EP	1051948	11/2000
2004/0133189	A1	7/2004	Sakurai	EP	1293171	3/2003
2004/0138653	A1	7/2004	Dabney et al.	EP	1 330 991	7/2003
2004/0138654	A1	7/2004	Goble	EP	1495712	1/2005
2004/0143263	A1	7/2004	Schechter et al.	EP	1500378	1/2005
2004/0147918	A1	7/2004	Keppel	EP	1535581	6/2005
2004/0167508	A1	8/2004	Wham et al.	EP	880220	6/2006
2004/0172016	A1	9/2004	Bek	EP	1707143	10/2006
2004/0193148	A1	9/2004	Wham et al.	FR	1275415	10/1961
2004/0230189	A1	11/2004	Keppel	FR	1347865	11/1963
2004/0243120	A1	12/2004	Orszulak et al.	FR	2313708	12/1976
2004/0260279	A1	12/2004	Goble	FR	2502935	10/1982
2005/0004564	A1	1/2005	Wham	FR	2517953	6/1983
2005/0004589	A1	1/2005	Witt et al.	FR	2573301	5/1986
2005/0021020	A1	1/2005	Blaha et al.	GB	607850	9/1948
2005/0021022	A1	1/2005	Sturm et al.	GB	855459	11/1960
2005/0101949	A1	5/2005	Harano et al.	GB	902775	8/1962
2005/0101951	A1	5/2005	Wham	GB	2164473	3/1986
2005/0113818	A1	5/2005	Sartor	GB	2214430	6/1989
2005/0113819	A1	5/2005	Wham	GB	2358934	8/2001
2005/0149515	A1	7/2005	Orszulak	SU	166452	1/1965
2005/0182398	A1	8/2005	Paterson	SU	727201	4/1980
2005/0197659	A1	9/2005	Bahney	WO	WO93/24066	12/1966
2005/0203504	A1	9/2005	Wham et al.	WO	WO92/06642	4/1992
2006/0025760	A1	2/2006	Podhajsky	WO	WO94/24949	11/1994
2006/0079871	A1	4/2006	Plaven et al.	WO	WO94/28809	12/1994
2006/0161148	A1	7/2006	Behnke	WO	WO95/09577	4/1995
2006/0178664	A1	8/2006	Keppel	WO	WO95/19148	7/1995
2006/0224152	A1	10/2006	Behnke et al.	WO	WO96/02180	2/1996
2006/0281360	A1	12/2006	Sartor et al.	WO	WO96/04860	2/1996
2007/0038209	A1	2/2007	Buysse et al.	WO	WO96/08794	3/1996
2007/0093800	A1	4/2007	Wham et al.	WO	WO96/18349	6/1996
2007/0093801	A1	4/2007	Behnke	WO	WO96/29946	10/1996

## FOREIGN PATENT DOCUMENTS

DE	1099658	2/1961	WO	WO 97/00646	1/1997
DE	1139927	11/1962	WO	WO97/06739	2/1997
DE	1149832	6/1963	WO	WO97/06740	2/1997
DE	1439302	1/1969	WO	WO97/06855	2/1997
DE	2439587	2/1975	WO	WO97/17029	5/1997
DE	2455174	5/1975	WO	WO02/011634	2/2002
DE	2407559	8/1975	WO	WO02/45589	6/2002
DE	2602517	7/1976	WO	WO02/47565	6/2002
DE	2504280	8/1976	WO	WO02/088128	7/2002
DE	2540968	3/1977	WO	WO03/090635	11/2003
DE	2820908	11/1978	WO	WO03/092520	11/2003
DE	2803275	8/1979	WO	WO05/060365	11/2003
			WO	WO04/028385	4/2004
			WO	WO04/098385	4/2004

WO	WO05/046496	5/2005
WO	WO05/048809	6/2005
WO	WO05/050151	6/2005
WO	WO05/060849	7/2005

## OTHER PUBLICATIONS

Shomik Sengupta and David R. Webb; Use of a Computer-Controlled Bipolar Diathermy System in Radical Prostatectomies and Other Open Urological Surgery; ANZ J. Surg. 71. 538-540; Apr. 24, 2001; 4 pages.

Alexander et al., "Magnetic Resonance Image-Directed Stereotactic Neurosurgery: Use of Image Fusion with Computerized Tomography to Enhance Spatial Accuracy" Journal Neurosurgery, 83; (1995) pp. 271-276.

Anderson et al., "A Numerical Study of Rapid Heating for High Temperature Radio Frequency Hyperthermia" International Journal of Bio-Medical Computing, 35 (1994) pp. 297-307.

Astrahan, "A Localized Current Field Hyperthermia System for Use with 192-Iridium Interstitial Implants" Medical Physics, 9 (3), May/ Jun. 1982.

Bergdahl et al., "Studies on Coagulation and the Development of an Automatic Computerized Bipolar Coagulator" Journal of Neurosurgery 75:1, (Jul. 1991) pp. 148-151.

Chicharo et al. "A Sliding Goertzel Algorithm" Aug. 1996, pp. 283-297 Signal Processing, Elsevier Science Publishers B.V. Amsterdam, NL vol. 52 No. 3.

Cosman et al., "Methods of Making Nervous System Lesions" In William RH, Rengachary SS (eds): Neurosurgery, New York: McGraw-Hill, vol. 111, (1984), pp. 2490-2499.

Cosman et al., "Radiofrequency Lesion Generation and Its Effect on Tissue Impedance" Applied Neurophysiology 51: (1988) pp. 230-242.

Cosman et al., "Theoretical Aspects of Radiofrequency Lesions in the Dorsal Root Entry Zone" Neurosurgery 15:(1984) pp. 945-950.

Geddes et al., "The Measurement of Physiologic Events by Electrical Impedance" Am. J. MI, Jan. Mar. 1964, pp. 16-27.

Goldberg et al., "Tissue Ablation with Radiofrequency: Effect of Probe Size, Gauge, Duration, and Temperature on Lesion Volume" Acad Radio (1995) vol. 2, No. 5, pp. 399-404.

Medtrex Brochure "The O.R. Pro 300" 1 p. Sep. 1998.

Ogden Goertzel Alternative to the Fourier Transform: Jun. 1993 pp. 485-487 Electronics World; Reed Business Publishing, Sutton, Surrey, BG vol. 99, No. 9, 1687.

Sugita et al., "Bipolar Coagulator with Automatic Thermocontrol" J. Neurosurg., vol. 41, Dec. 1944, pp. 777-779.

Valleylab Brochure "Valleylab Electroshield Monitoring System" 2 pp. Nov. 1995.

Vallfors et al., "Automatically Controlled Bipolar Electrocoagulation—'CAO-Comp'" Neurosurgical Review 7:2-3 (1984) pp. 187-190.

Wald et al., "Accidental Burns", JAMA, Aug. 16, 1971, vol. 217, No. 7, pp. 916-921.

Richard Wolf Medical Instruments Corp. Brochure, "Kleppinger Bipolar Forceps & Bipolar Generator" 3 pp. Jan. 1989.

Ni W. et al. "A Signal Processing Method for the Coriolis Mass Flowmeter Based on a Normalized . . ." Journal of Applied Sciences—Yingyong Kexue Xuebao, Shangha CN, vol. 23 No. 2;(2005-03); pp. 160-164.

Muller et al. "Extended Left Hemicolecotomy Using the LigaSure Vessel Sealing System" Innovations That Work; Sep. 1999.

International Search Report PCT/US03/37110, dated Jul. 25, 2005.

International Search Report PCT/US03/37310, dated Aug. 13, 2004.

International Search Report EP 04009964, dated Jul. 13, 2004.

International Search Report EP 98300964.8, dated Dec. 4, 2000.

International Search Report EP 04015981.6, dated Sep. 29, 2004.

International Search Report EP 05014156.3, dated Dec. 28, 2005.

International Search Report EP 05021944.3, dated Jan. 18, 2006.

International Search Report EP 05022350.2, dated Jan. 18, 2006.

International Search Report EP 05002769.7, dated Jun. 9, 2006.

International Search Report EP 06000708.5, dated Apr. 21, 2006.

International Search Report—extended EP 06000708.5, dated Aug. 22, 2006.

International Search Report EP 06006717.0, dated Aug. 7, 2006.

International Search Report EP 06022028.2, dated Feb. 5, 2007.

International Search Report EP 06025700.3, dated Apr. 12, 2007.

International Search Report EP 07001481.6, dated Apr. 23, 2007.

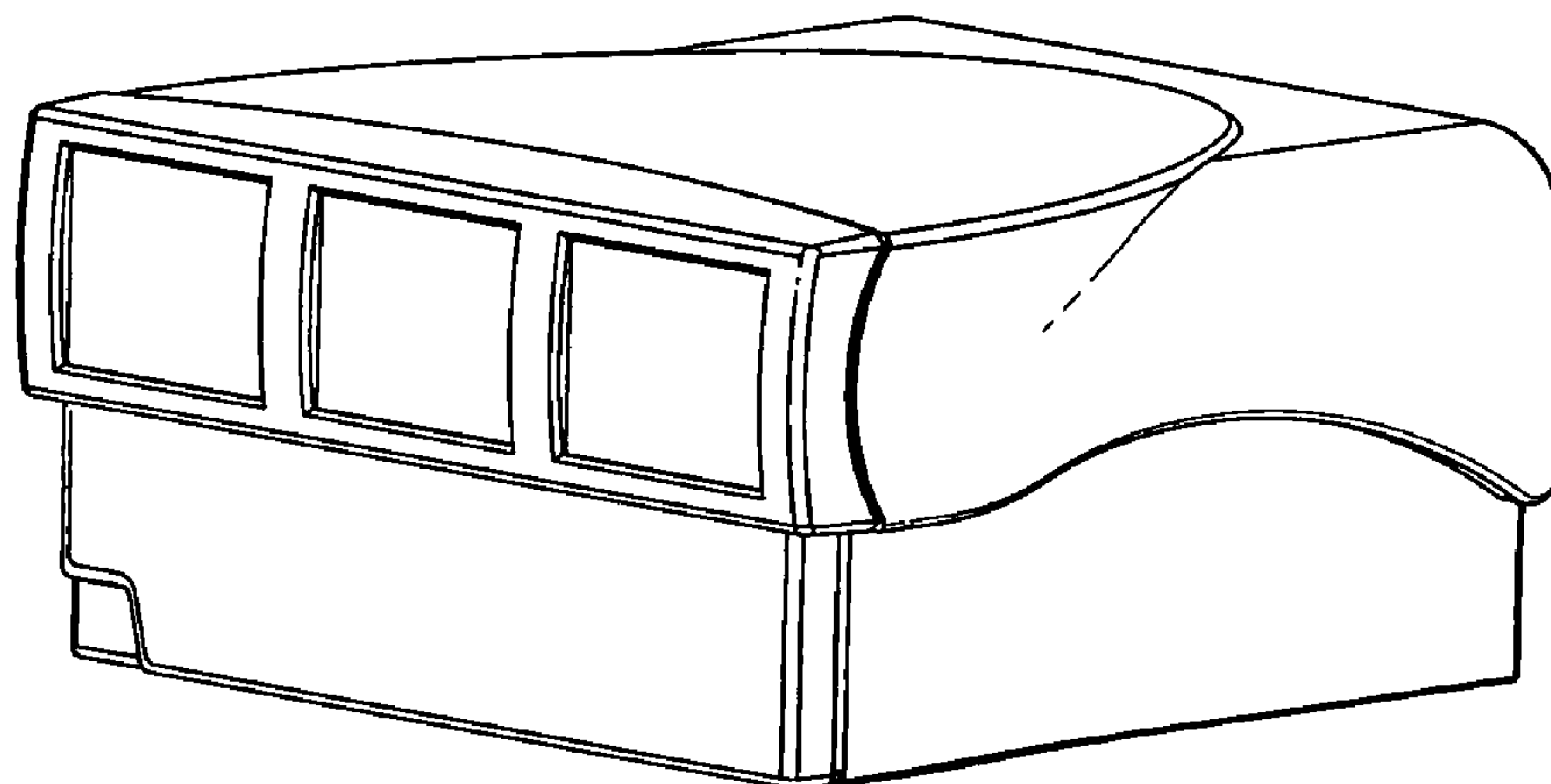
International Search Report EP 07001485.7, dated May 15, 2007.

International Search Report EP 07001527.6, dated May 9, 2007.

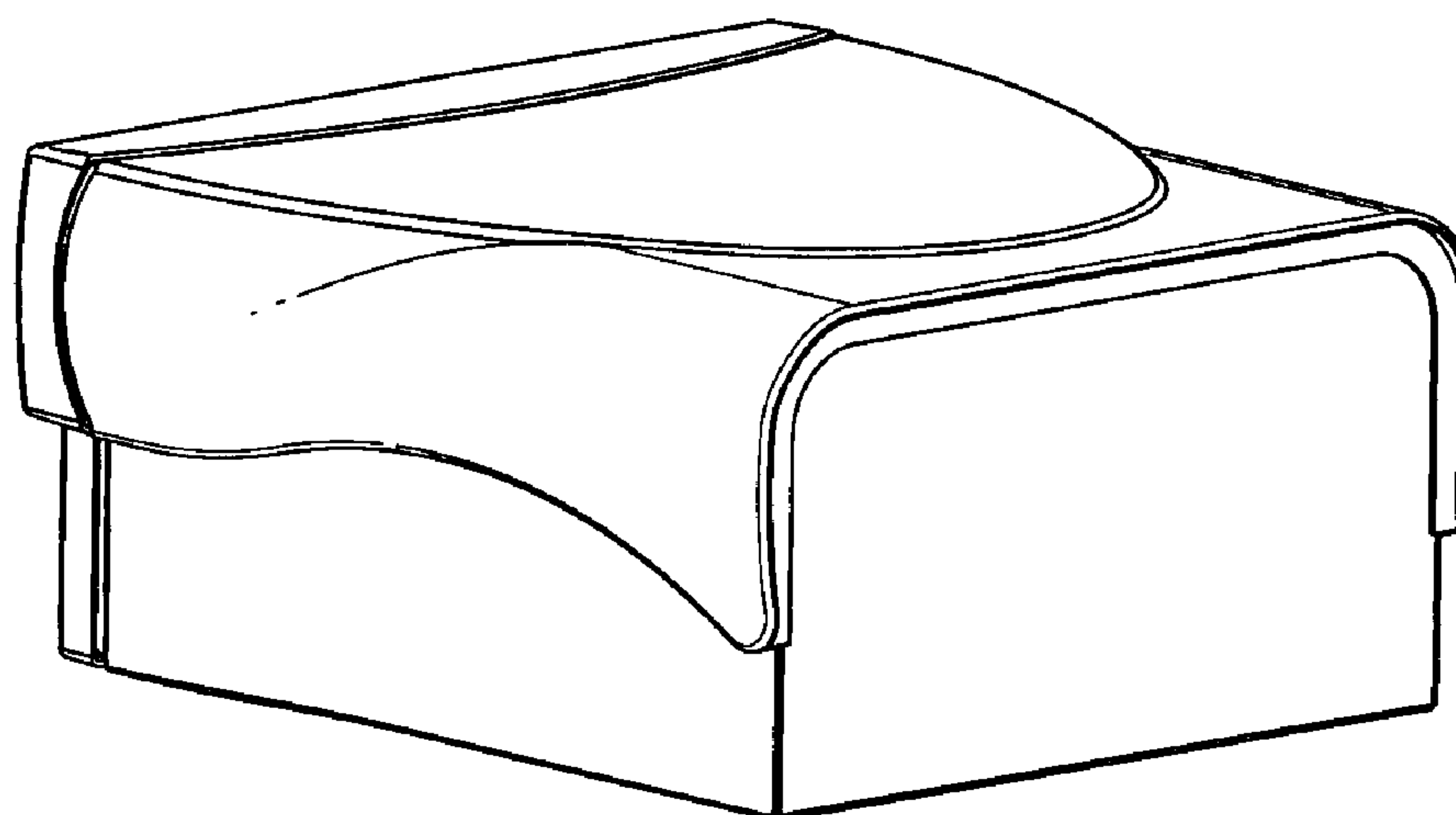
International Search Report EP 07004355.9, dated May 21, 2007.

\* cited by examiner

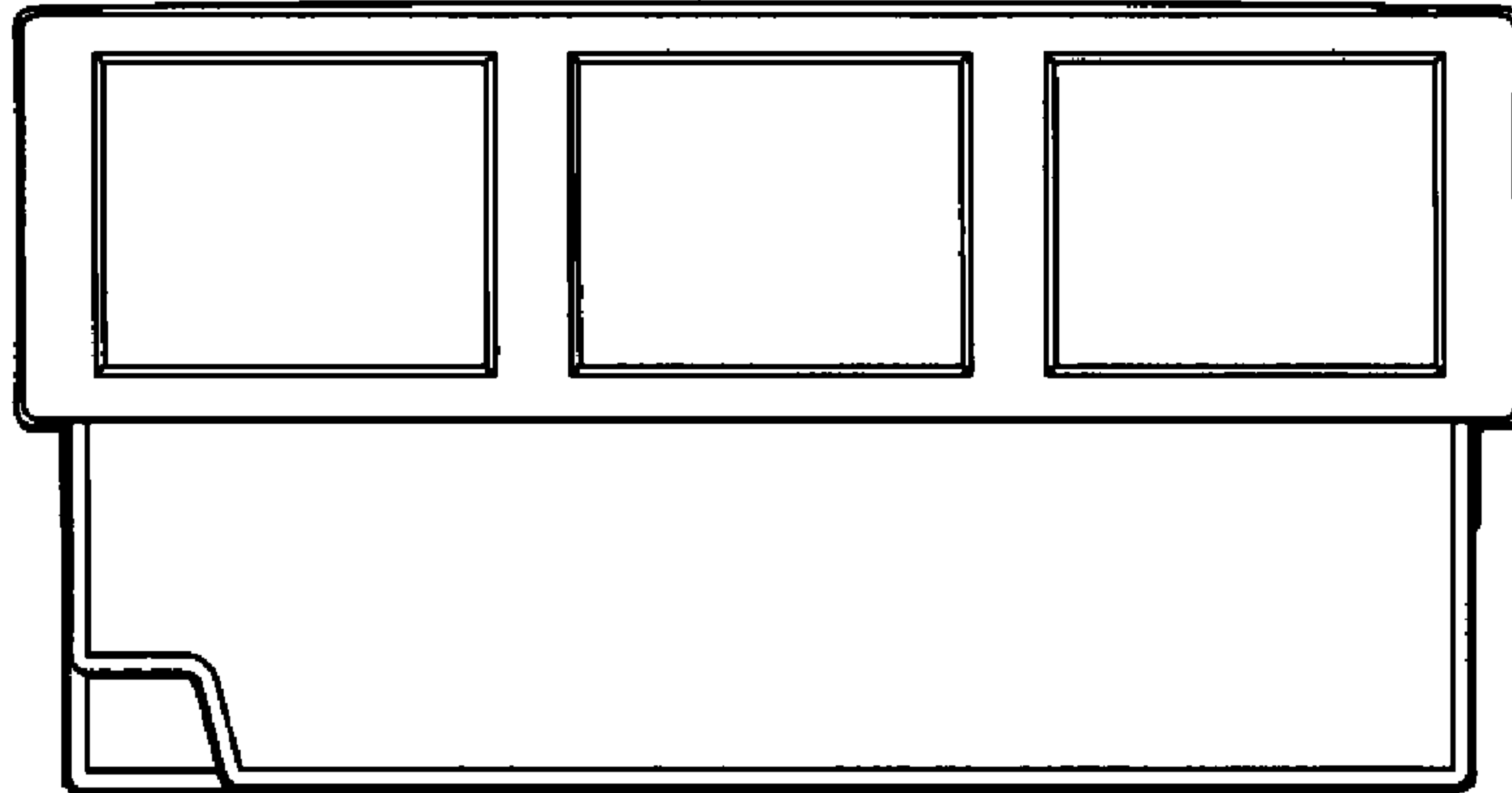




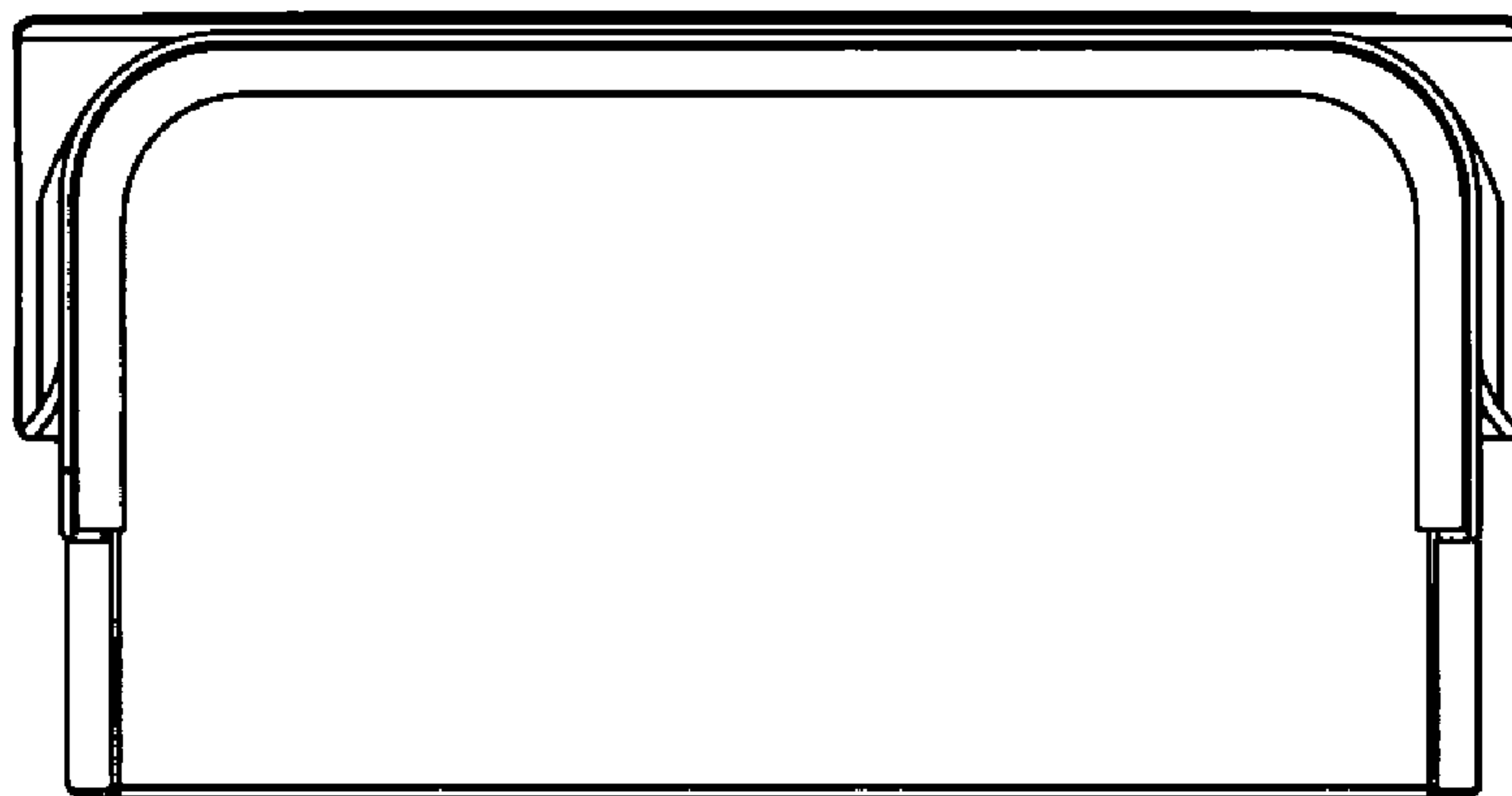
**FIG. 1**



**FIG. 2**

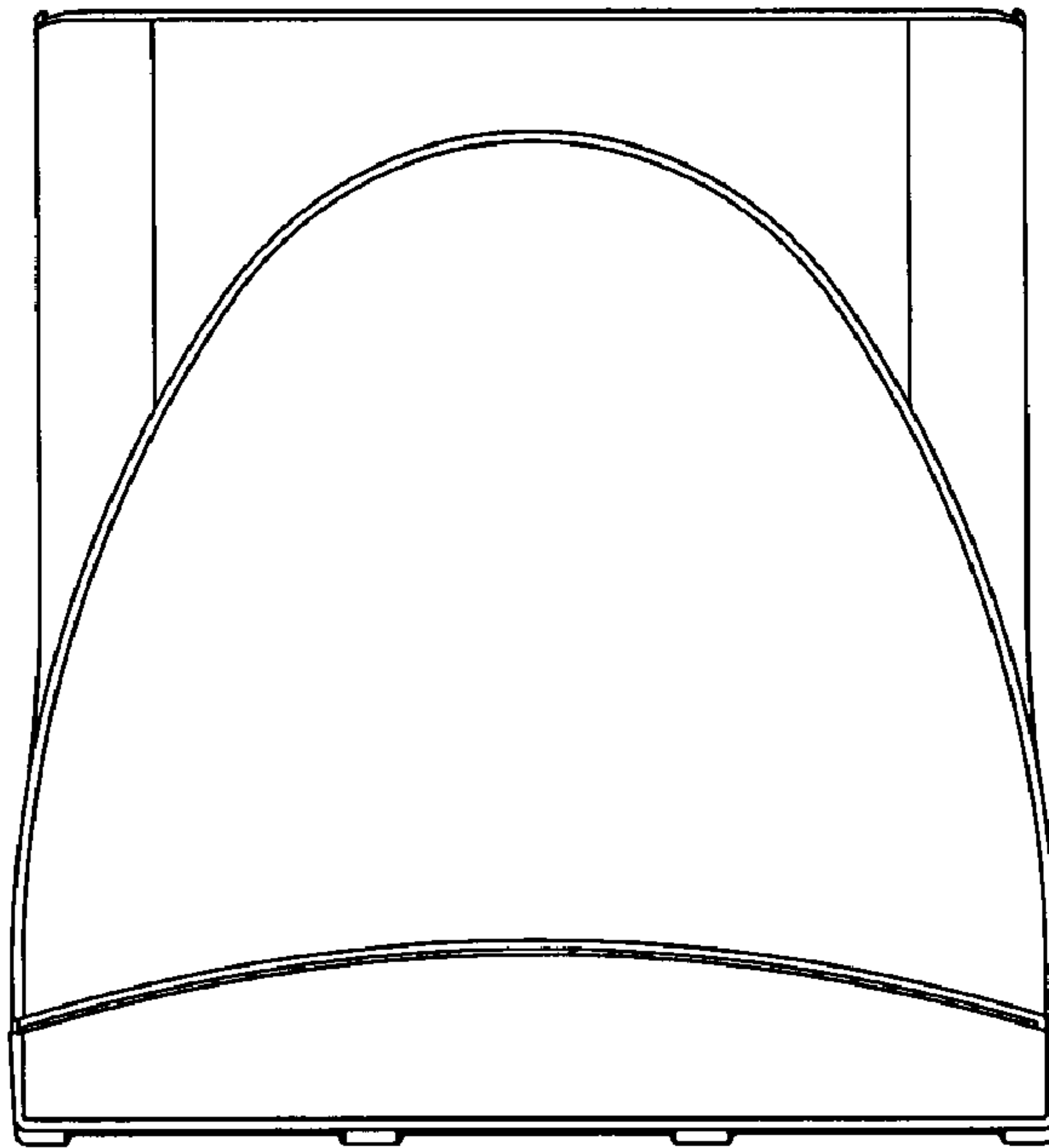


**FIG. 3**

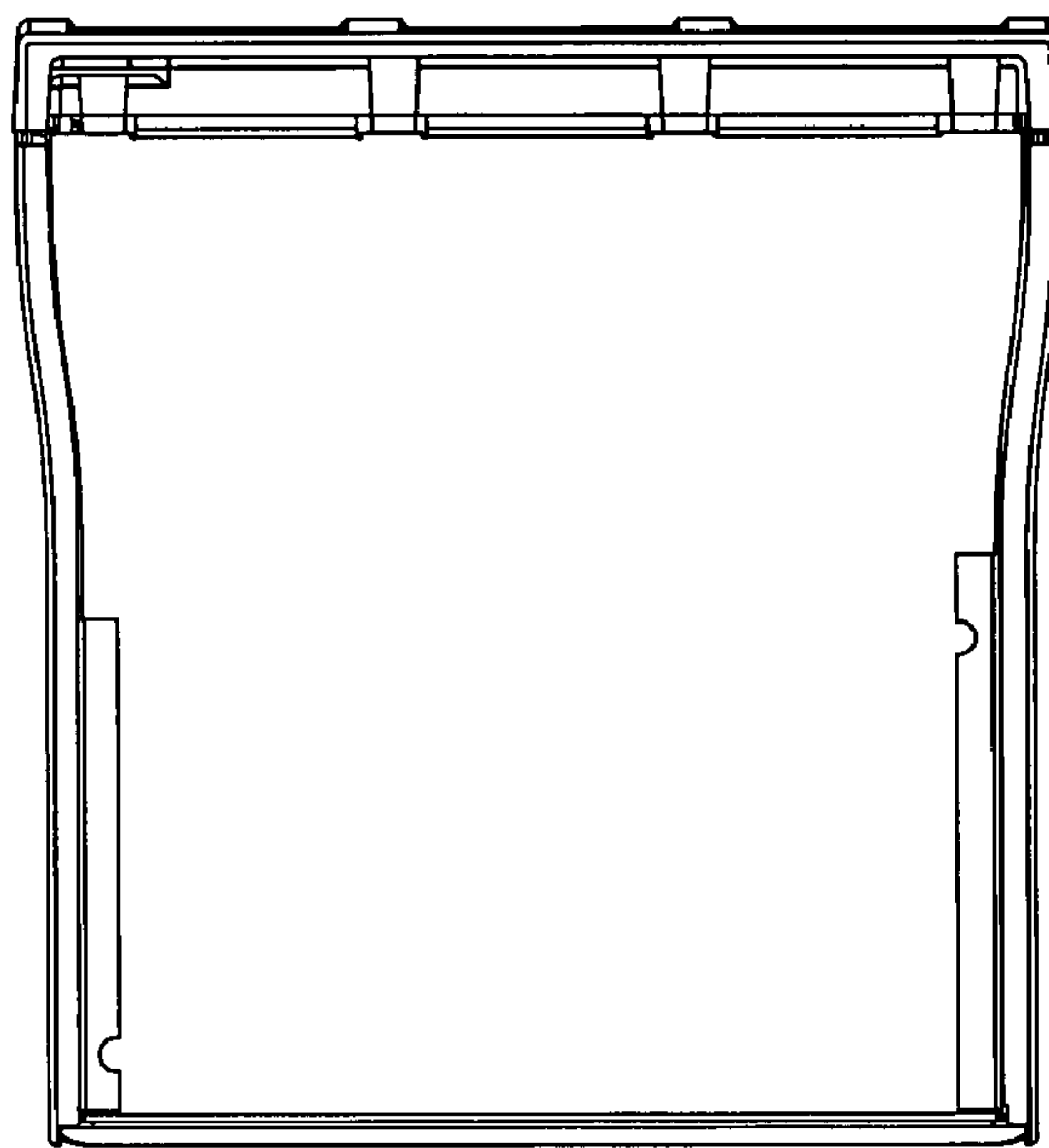


**FIG. 4**

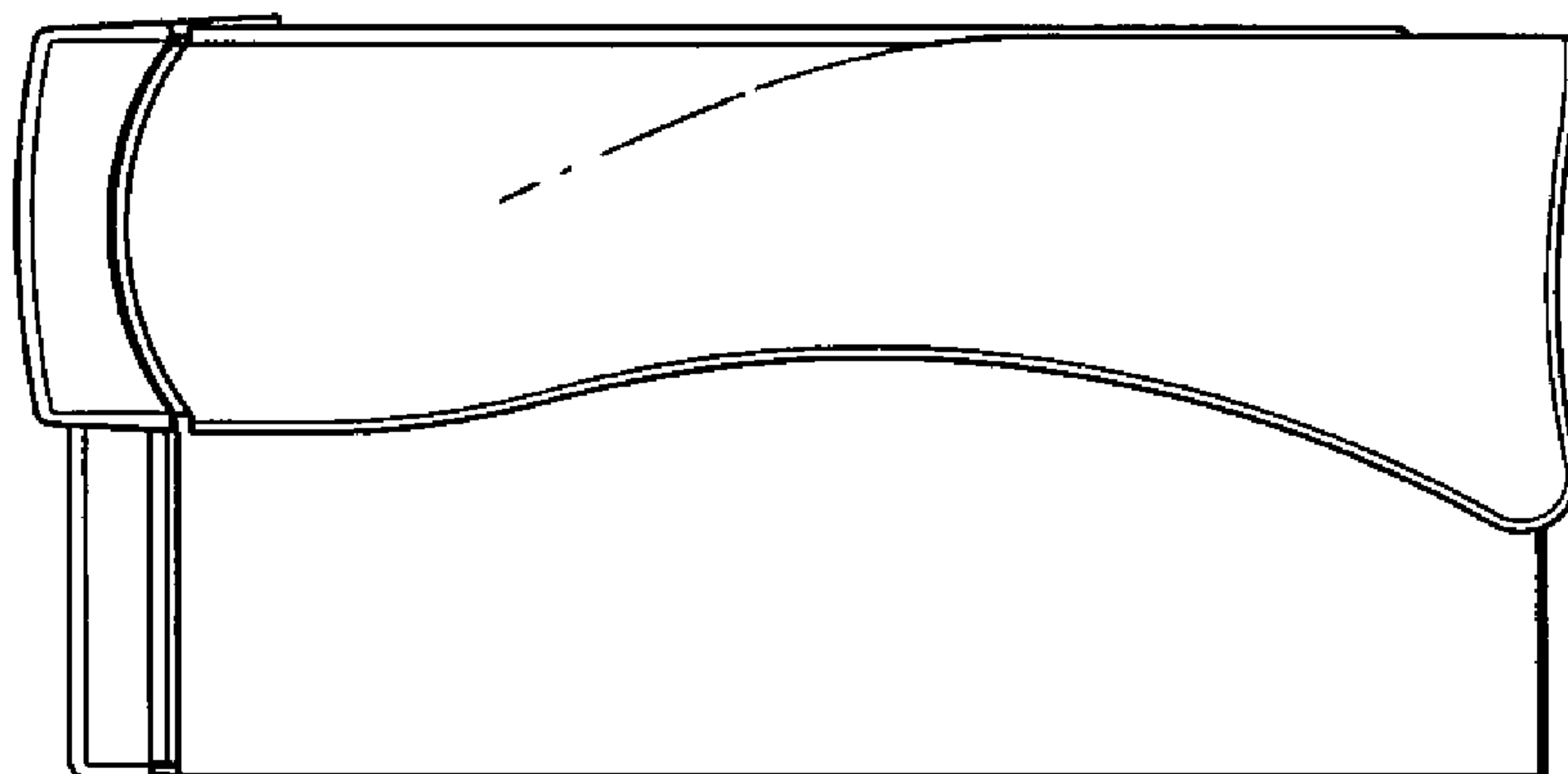




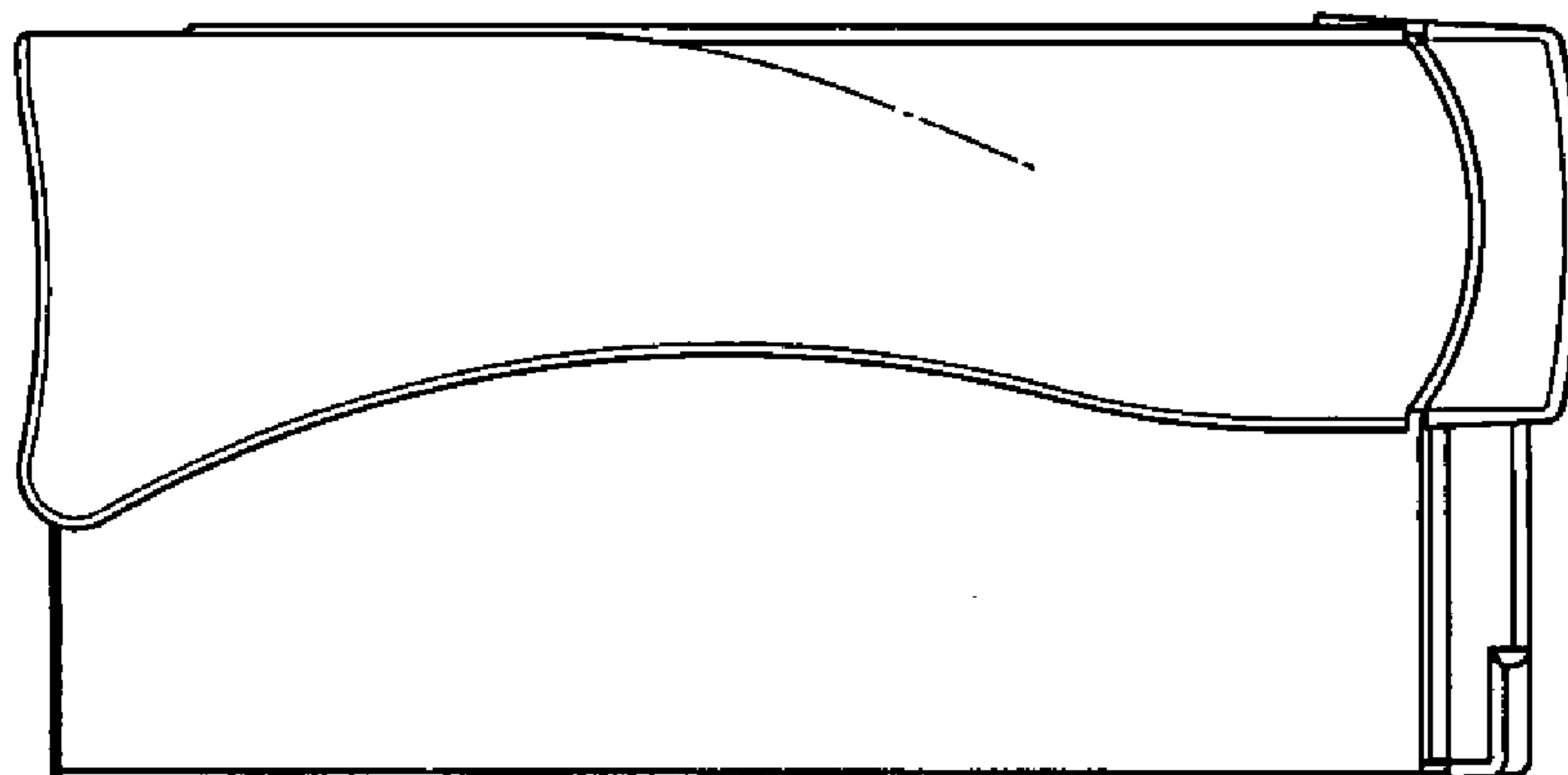
**FIG. 5**



**FIG. 6**



**FIG. 7**



**FIG. 8**