



US00D574319S

(12) **United States Design Patent**
Ohigashi

(10) **Patent No.:** **US D574,319 S**

(45) **Date of Patent:** **** Aug. 5, 2008**

(54) **TIRE FOR AUTOMOBILE**

(75) Inventor: **Hiroshi Ohigashi**, Hyogo (JP)

(73) Assignee: **The Goodyear Tire & Rubber Company**, Akron, OH (US)

(**) Term: **14 Years**

(21) Appl. No.: **29/302,616**

(22) Filed: **Jan. 21, 2008**

(30) **Foreign Application Priority Data**

Aug. 30, 2007 (JP) 2007-023558

(51) **LOC (8) Cl.** **12-15**

(52) **U.S. Cl.** **D12/579**

(58) **Field of Classification Search** D12/512,
D12/544, 577, 579-580, 585, 597, 600-603,
D12/594; 152/209.1, 209.8-209.18, 209.25-209.28,
152/455

See application file for complete search history.

(56) **References Cited**

U.S. PATENT DOCUMENTS

D301,219 S	5/1989	Igarashi	D12/146
D301,442 S	6/1989	Fujiki	D12/146
D304,704 S	11/1989	Fujiki	D12/146
D307,406 S	4/1990	Tatsumi	D12/147
D314,362 S	2/1991	Fujiki	D12/147
D316,691 S	5/1991	Fujiki	D12/146
D405,404 S *	2/1999	Bonko	D12/579
D410,873 S *	6/1999	Bonko	D12/579
D411,818 S	7/1999	Ito	D12/140

D412,472 S	8/1999	Brown et al.	D12/146
D413,088 S	8/1999	Brown et al.	D12/146
D444,108 S *	6/2001	Maxwell	D12/579
D487,057 S	2/2004	Rooney et al.	D12/579
D498,729 S *	11/2004	Neubauer et al.	D12/579
D517,977 S *	3/2006	Robert	D12/579
D544,829 S *	6/2007	Umstot	D12/579
D549,163 S *	8/2007	Maus et al.	D12/579
D556,672 S *	12/2007	Umstot et al.	D12/579

* cited by examiner

Primary Examiner—Stacia Cadmus

(74) *Attorney, Agent, or Firm*—Richard B. O’Planick

(57) **CLAIM**

The ornamental design for a tire for automobile, as shown and described.

DESCRIPTION

FIG. 1 is a perspective view of a tire for automobile showing my new design, it being understood that the pattern repeats uniformly throughout the circumference of the tread;

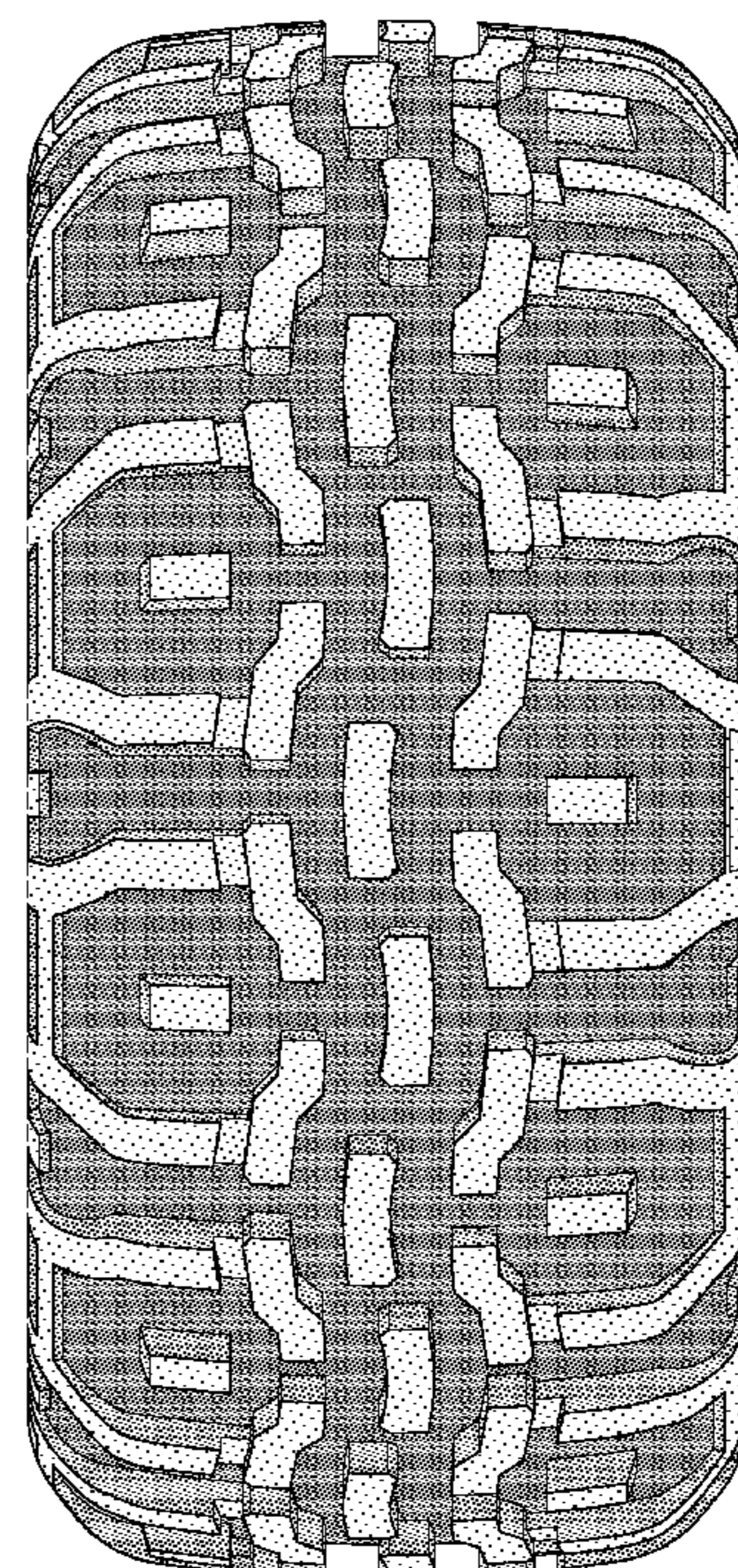
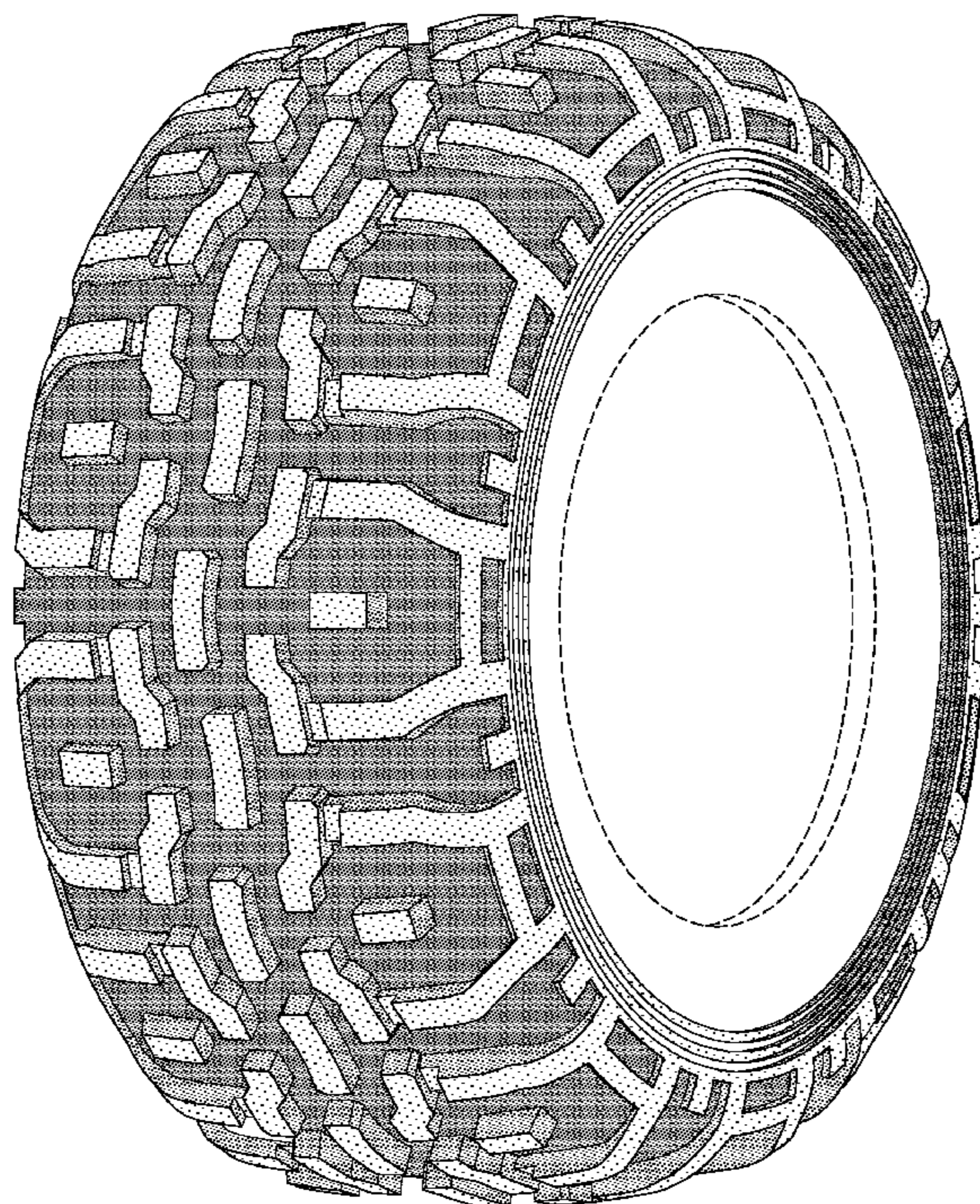
FIG. 2 is a front elevational view thereof;

FIG. 3 is a right side elevational view thereof; the other side being a mirror image thereof; and,

FIG. 4 is an enlarged fragmentary front elevational view thereof.

In the drawings the broken lines defining the sidewall, inner bead and the peripheral boundary between the tire tread and the sidewall in FIGS. 1 through 4 are for illustrative purposes only and form no part of the claimed design.

1 Claim, 4 Drawing Sheets



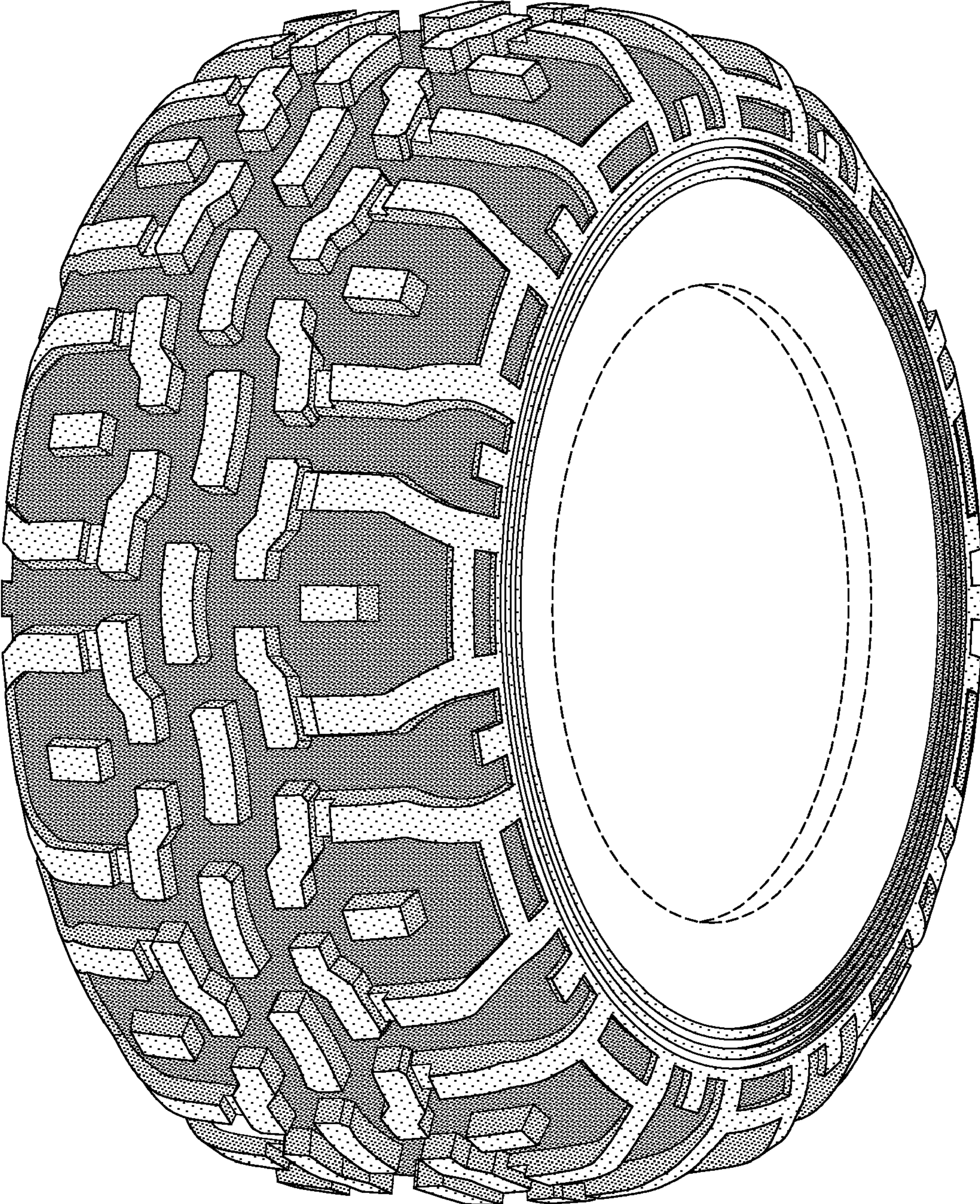


FIG-1

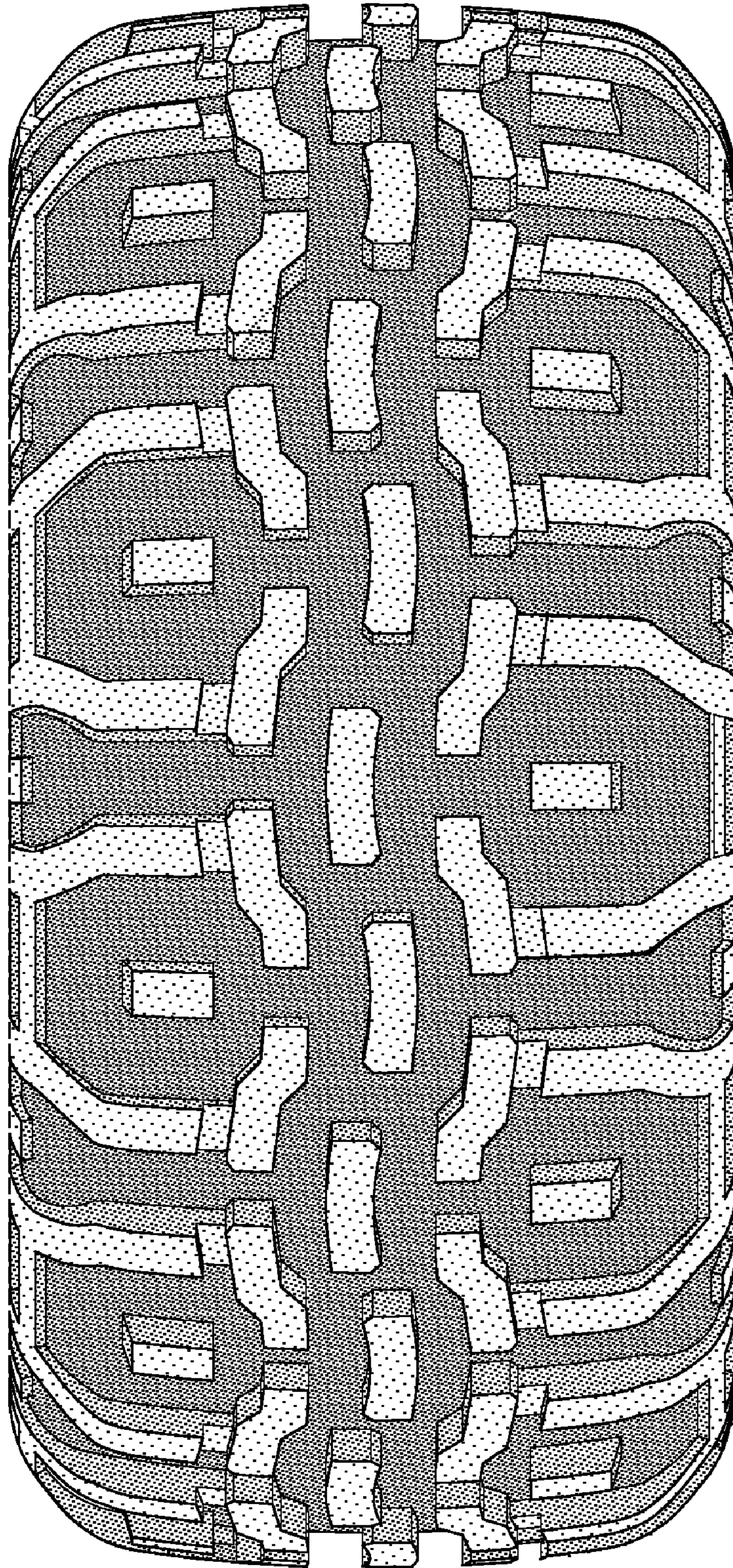


FIG-2

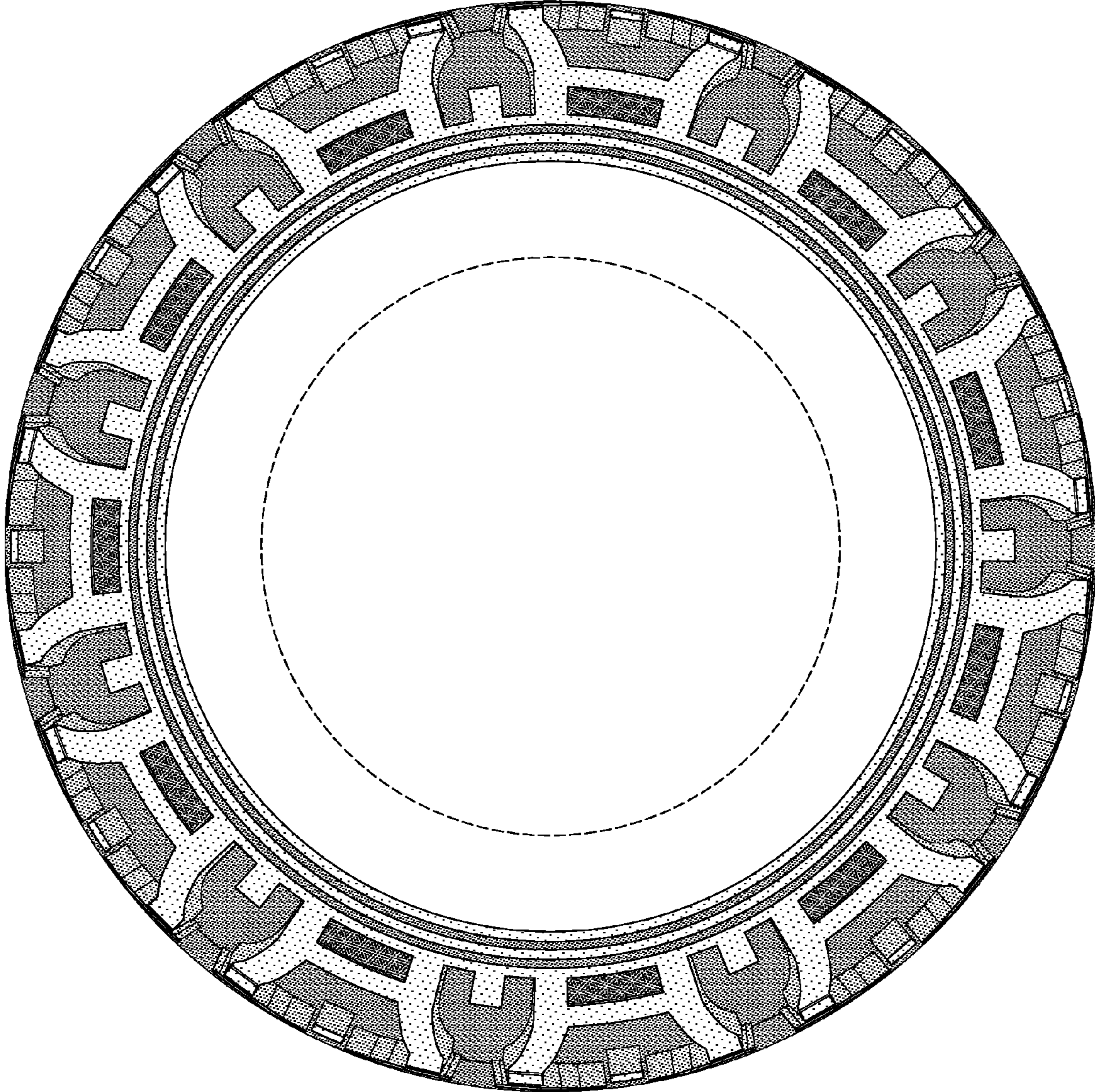


FIG-3

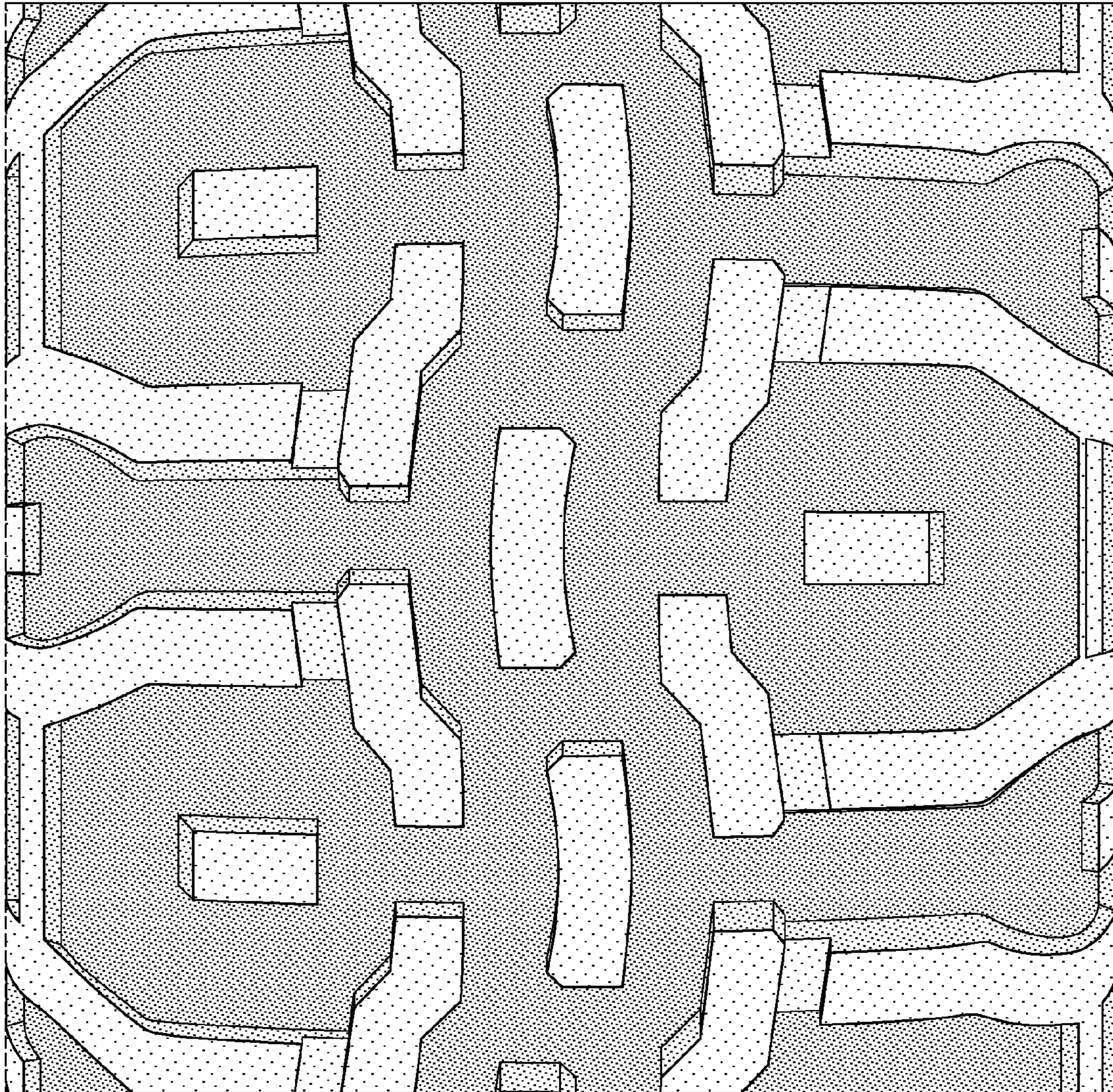


FIG-4