



US00D574313S

(12) **United States Design Patent**
de Rover

(10) **Patent No.:** **US D574,313 S**

(45) **Date of Patent:** **** Aug. 5, 2008**

(54) **YACHT**

(76) **Inventor:** **Cornelis Daniel de Rover**, Hoogstraat
74, 2965 AM Nieuwpoort (NL)

(**) **Term:** **14 Years**

(21) **Appl. No.:** **29/282,301**

(22) **Filed:** **Jul. 16, 2007**

Related U.S. Application Data

(62) Division of application No. 29/258,038, filed on Apr.
14, 2006, now Pat. No. Des. 553,071.

(30) **Foreign Application Priority Data**

Oct. 14, 2005 (EM) 000416698-0001
Oct. 14, 2005 (EM) 000416698-0005

(51) **LOC (8) Cl.** **12-06**

(52) **U.S. Cl.** **D12/300**

(58) **Field of Classification Search** D12/300,
D12/303, 304, 310, 315, 317, 318; 114/61.1,
114/274, 343, 355, 71, 364; 440/69; D21/542
See application file for complete search history.

(56) **References Cited**

U.S. PATENT DOCUMENTS

4,383,828 A 5/1983 Wynne
D290,949 S 7/1987 Scarboro
4,919,063 A * 4/1990 Hall et al. 114/274
D315,137 S 3/1991 Runte
D315,892 S 4/1991 Tollefson et al.
D319,619 S 9/1991 Kotzebue

D319,621 S 9/1991 Kotzebue
D319,622 S * 9/1991 Kotzebue D12/318
D319,623 S 9/1991 Kotzebue
D326,638 S 6/1992 Farrell
D357,893 S 5/1995 Blount
D429,682 S 8/2000 Garland et al.
D488,841 S 4/2004 Yuen
D548,666 S * 8/2007 Laupman D12/300
D553,071 S * 10/2007 de Rover D12/315

* cited by examiner

Primary Examiner—Holly H. Baynham

Assistant Examiner—Cynthia M Chin

(74) *Attorney, Agent, or Firm*—DLA Piper US LLP

(57) **CLAIM**

I claim the ornamental design for a yacht, as shown and described.

DESCRIPTION

FIG. 1 is an enlarged back end view of the yacht embodying the design.

FIG. 2 is an enlarged front end view of the yacht of FIG. 1.

FIG. 3 is a perspective view of the yacht of FIG. 1 from a first angle.

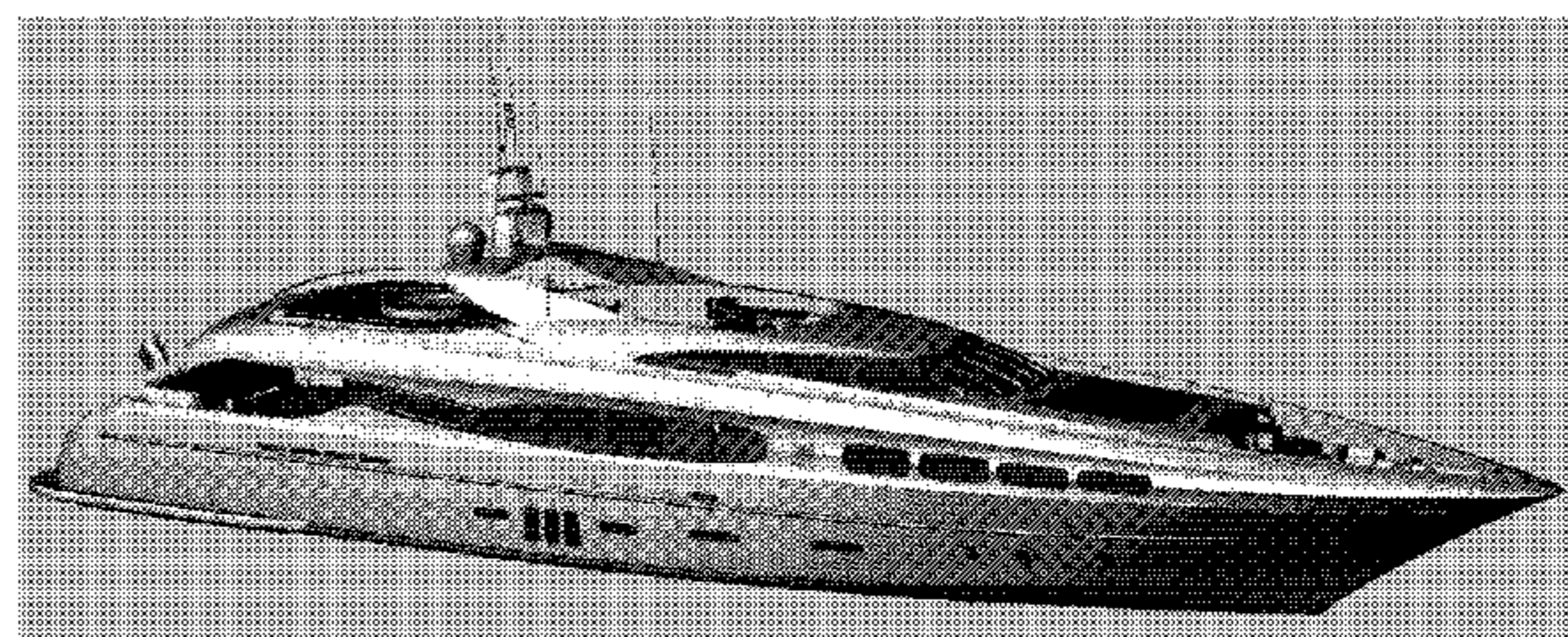
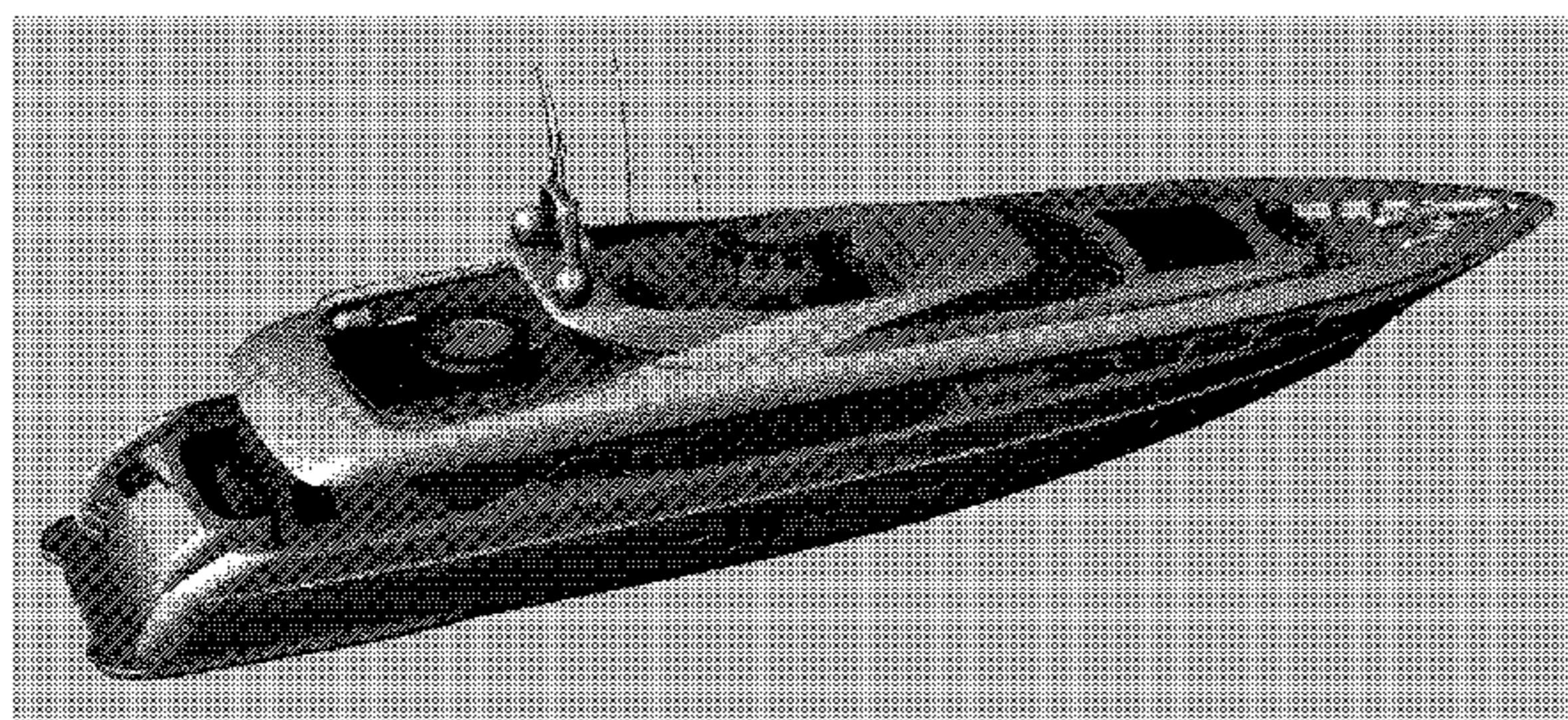
FIG. 4 is a perspective view of the yacht of FIG. 1 from a second angle.

FIG. 5 is a perspective view of the yacht of FIG. 1 from a third angle.

FIG. 6 is side view of a the yacht of FIG. 1; and,

FIG. 7 is a top view of the yacht of FIG. 1.

1 Claim, 7 Drawing Sheets



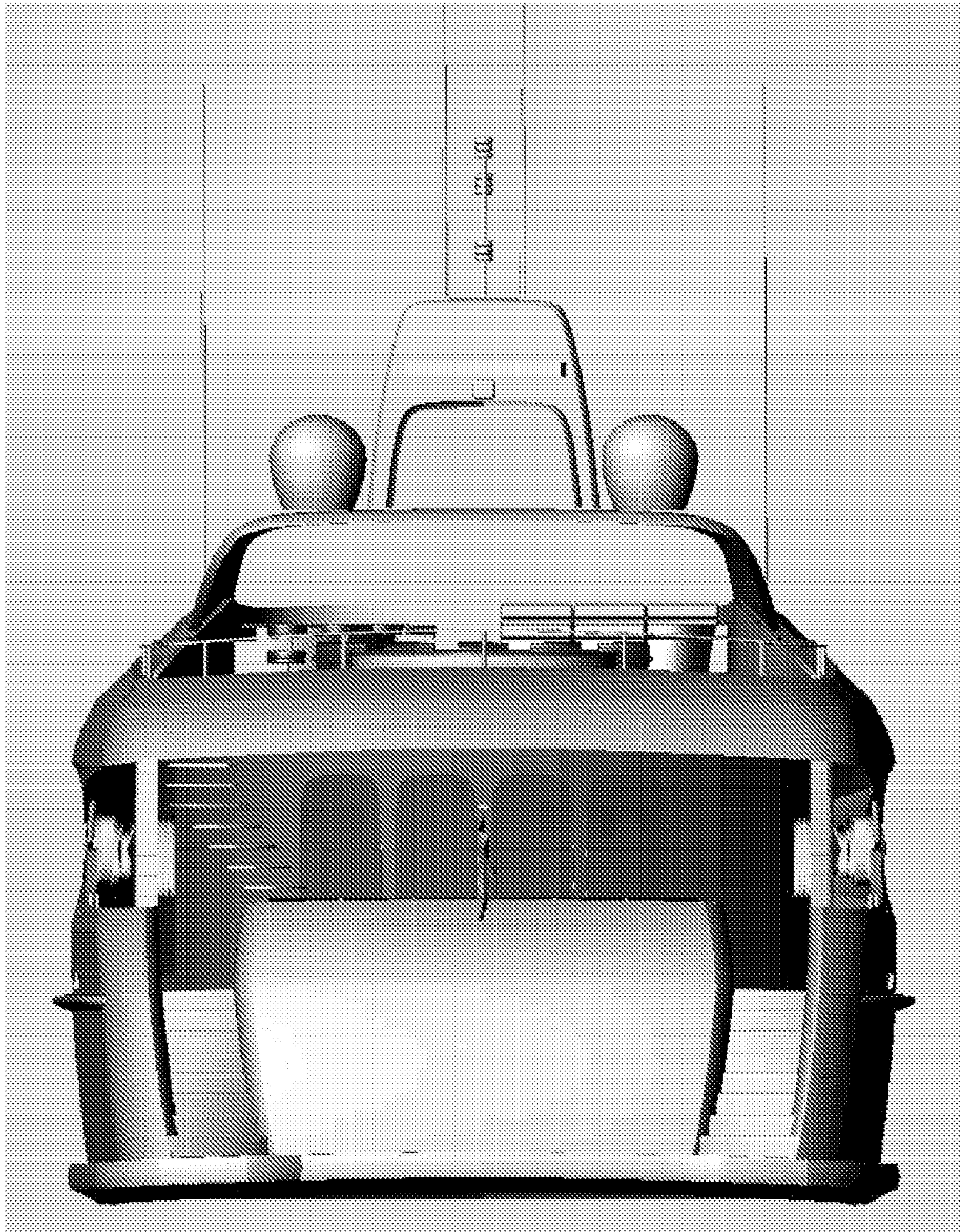


FIG. 1

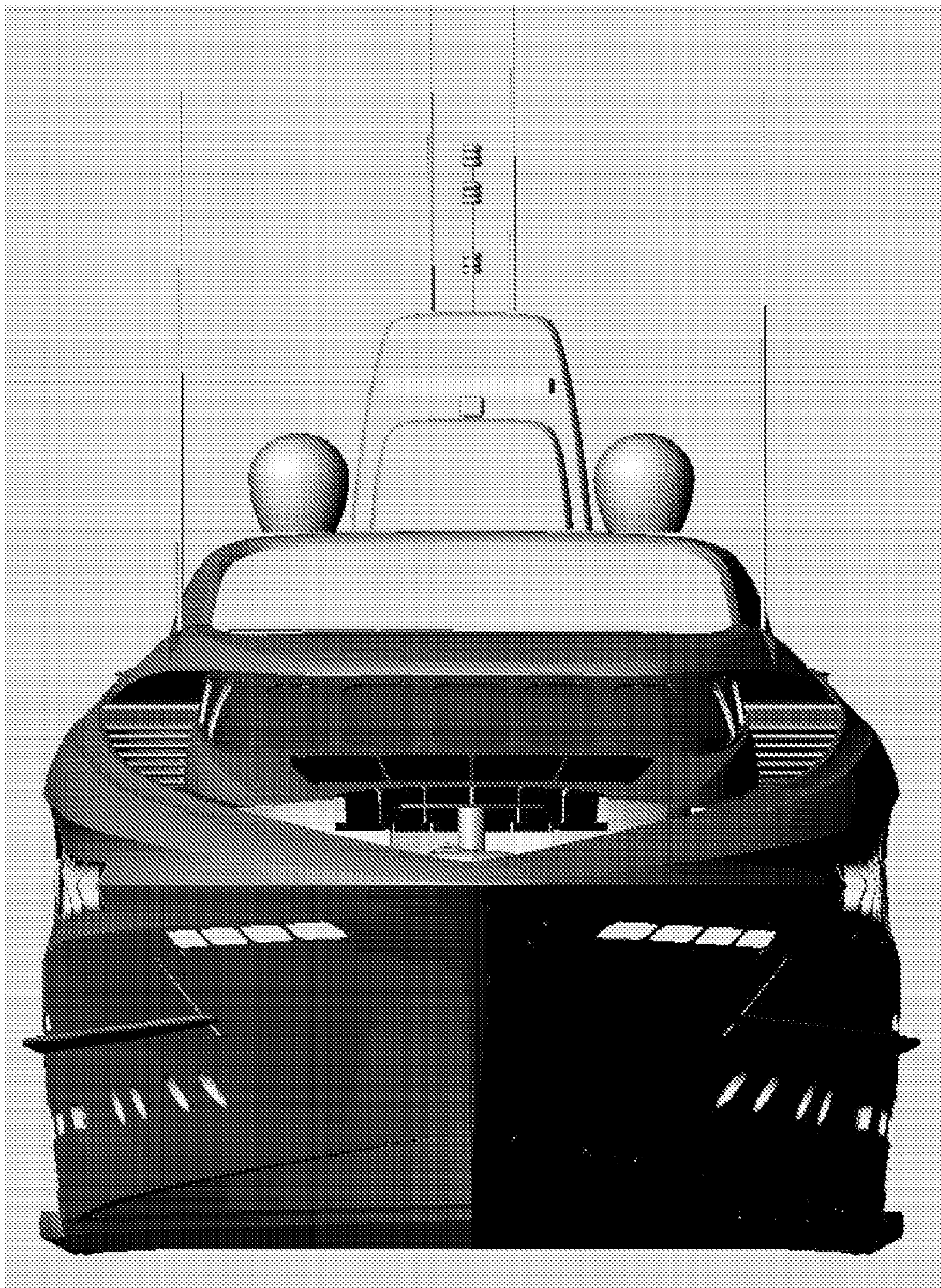


FIG. 2

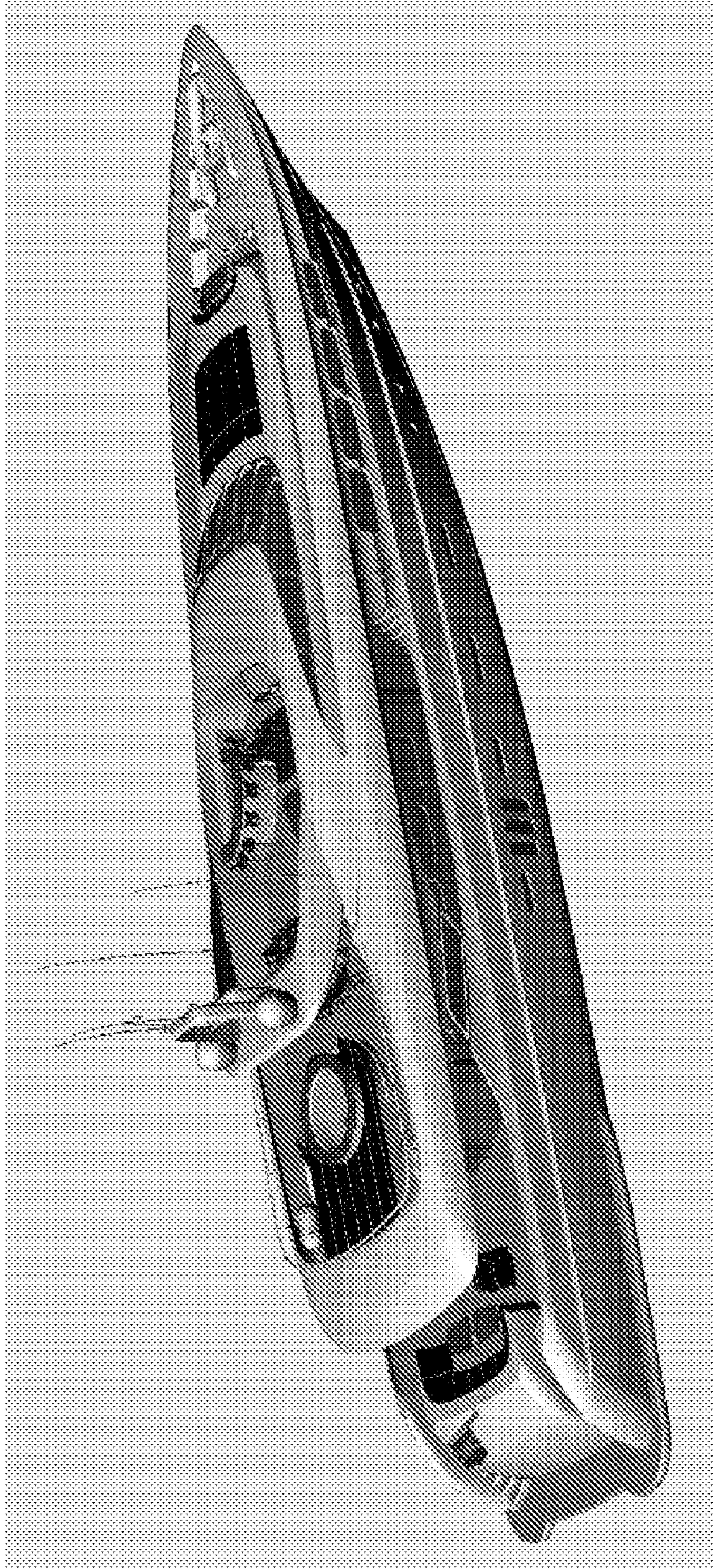


FIG. 3

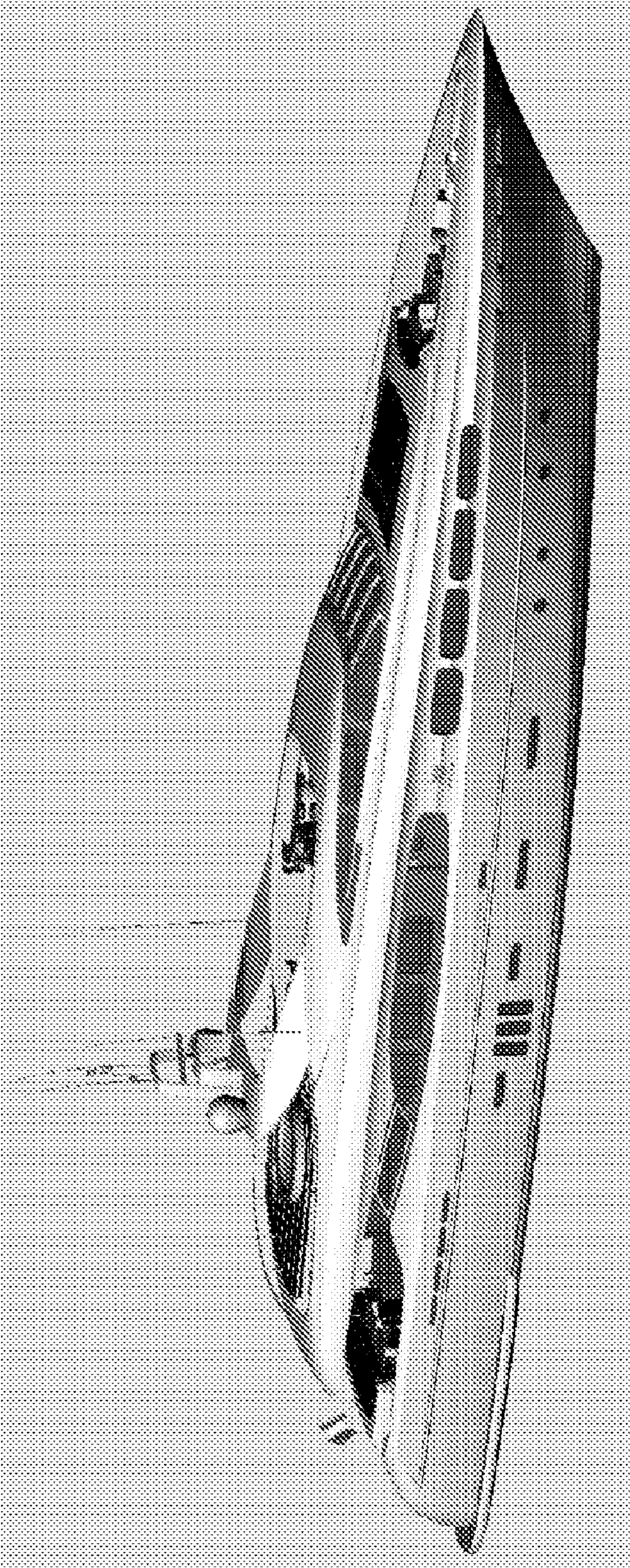


FIG. 4

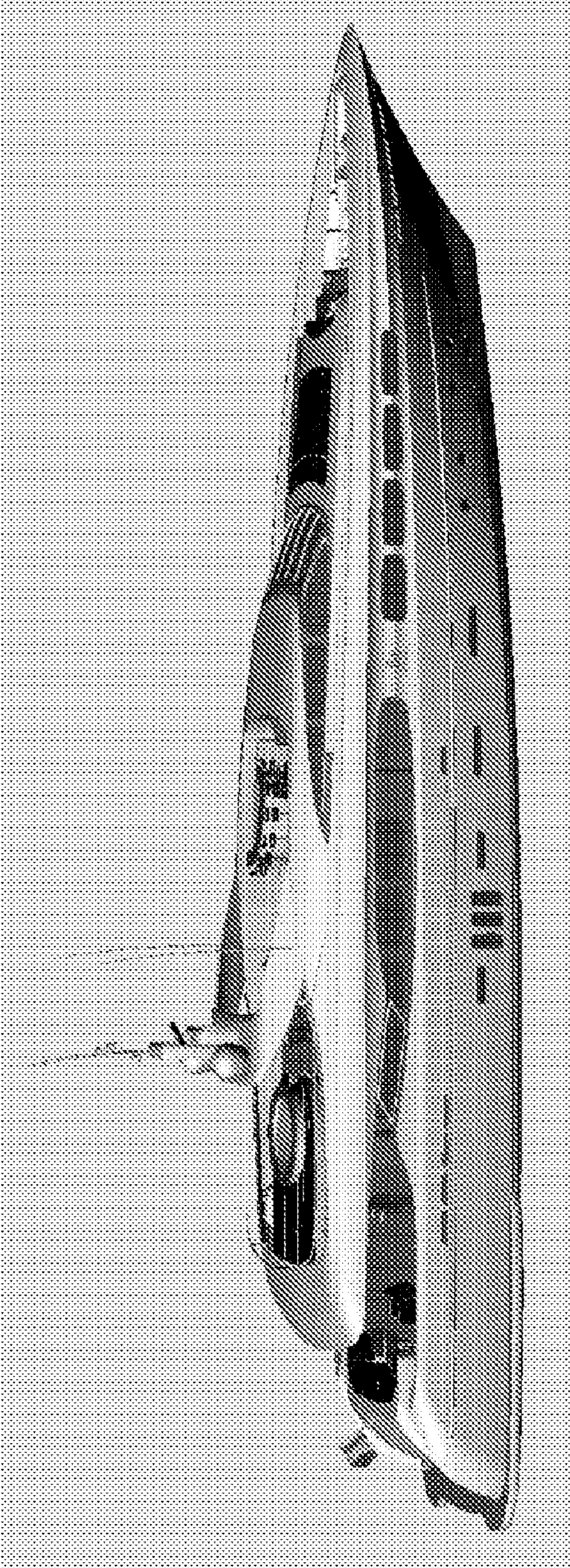


FIG. 5

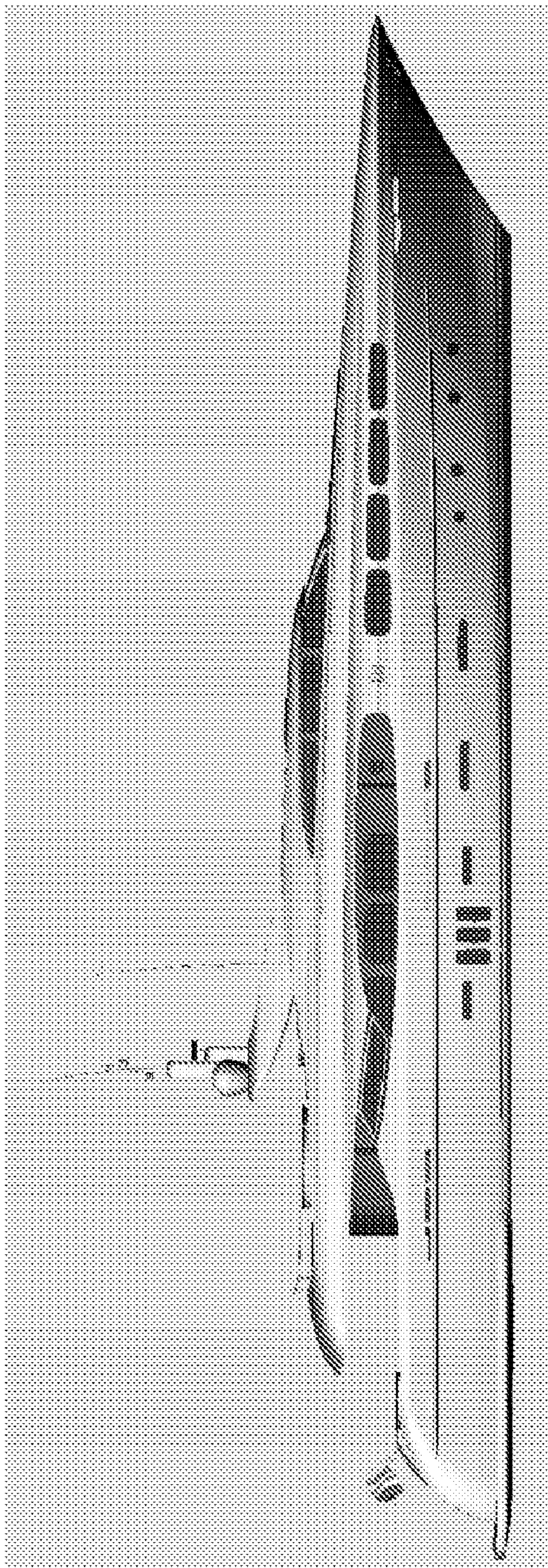


FIG. 6

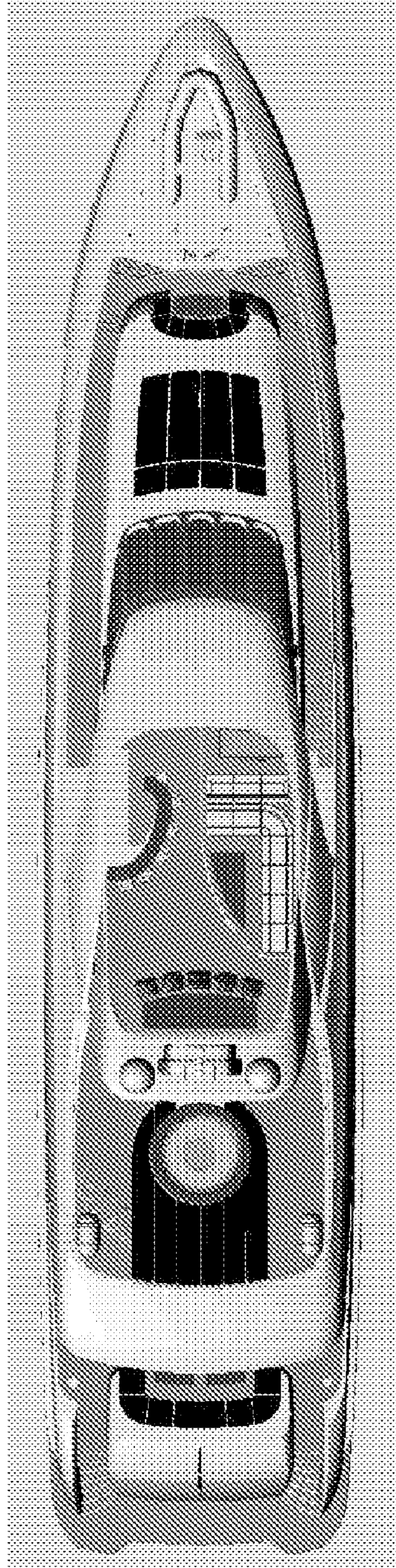


FIG. 7