



US00D574311S

(12) **United States Design Patent**  
**Chung**

(10) **Patent No.:** **US D574,311 S**

(45) **Date of Patent:** **\*\* Aug. 5, 2008**

(54) **AUTOMOTIVE WHEEL**

(76) **Inventor:** **Suny Chung**, 3283 Red Pine Rd., Yorba Linda, CA (US) 92886

(\*\*) **Term:** **14 Years**

(21) **Appl. No.:** **29/307,021**

(22) **Filed:** **Mar. 28, 2008**

(51) **LOC (8) Cl.** ..... **12-16**

(52) **U.S. Cl.** ..... **D12/209**

(58) **Field of Classification Search** ..... D12/204-213;  
301/37.101, 64.101, 65, 64.201

See application file for complete search history.

(56) **References Cited**

**U.S. PATENT DOCUMENTS**

D445,083 S *	7/2001	Chung	.....	D12/211
D455,701 S *	4/2002	McMath	.....	D12/209
D458,205 S *	6/2002	McCowin	.....	D12/209
D460,940 S *	7/2002	Chung	.....	D12/209
D466,849 S *	12/2002	Lee	.....	D12/209
D481,345 S *	10/2003	O'Connell	.....	D12/211
D492,635 S *	7/2004	Mathis et al.	.....	D12/209

D509,175 S \* 9/2005 Marji ..... D12/209

\* cited by examiner

*Primary Examiner*—Stacia Cadmus

(57) **CLAIM**

The ornamental design for an automotive wheel, as shown and described.

**DESCRIPTION**

FIG. 1 is a perspective view of an automotive wheel, showing my new design;

FIG. 2 is a front view thereof;

FIG. 3 is a perspective view of a second embodiment of an automotive wheel;

FIG. 4 is a front view thereof;

FIG. 5 is a perspective view of a third embodiment of an automotive wheel; and,

FIG. 6 is a front view thereof.

The broken line showing of environment is for illustrative purposes only and forms no part of the claimed design.

**1 Claim, 6 Drawing Sheets**

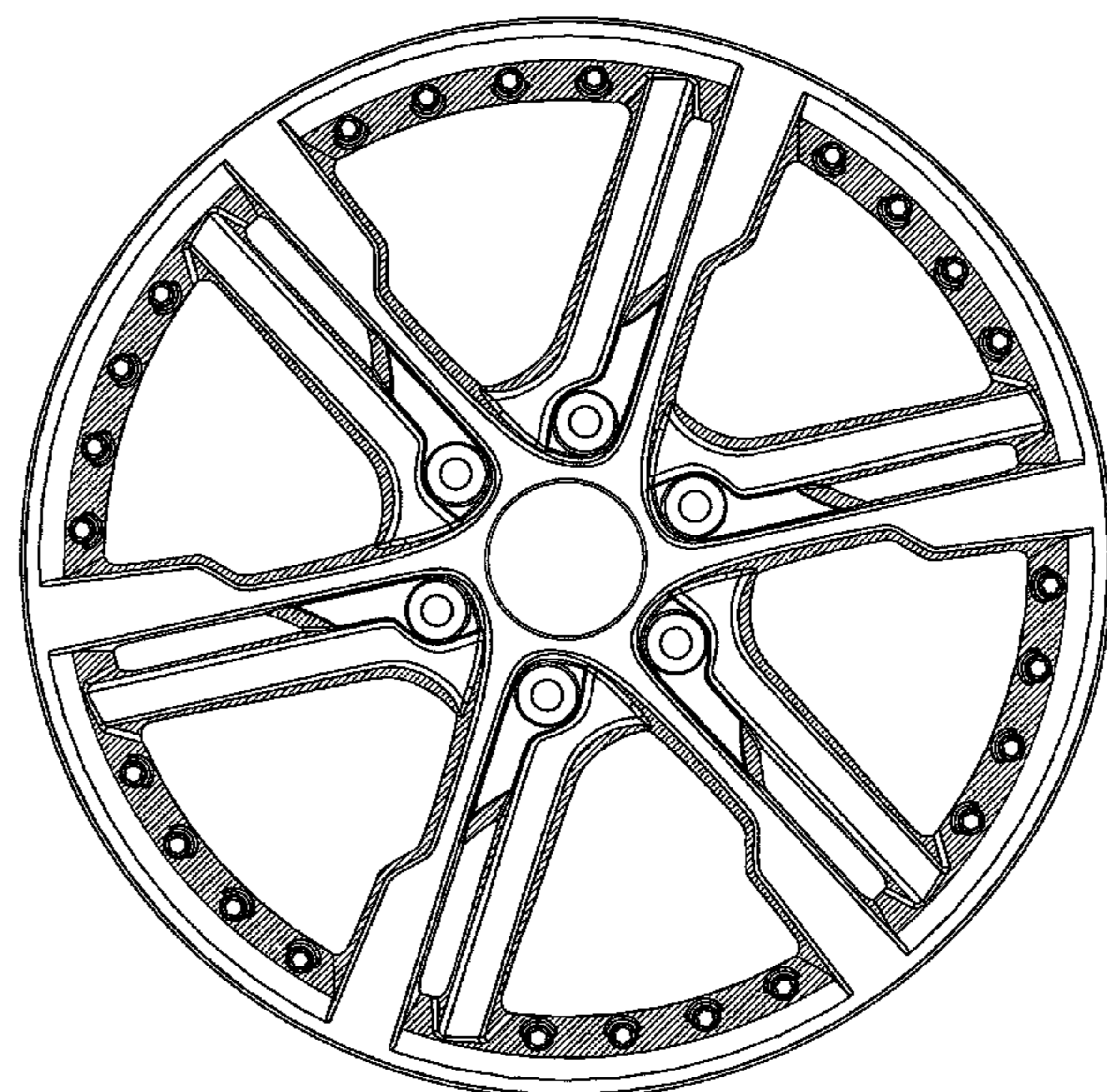
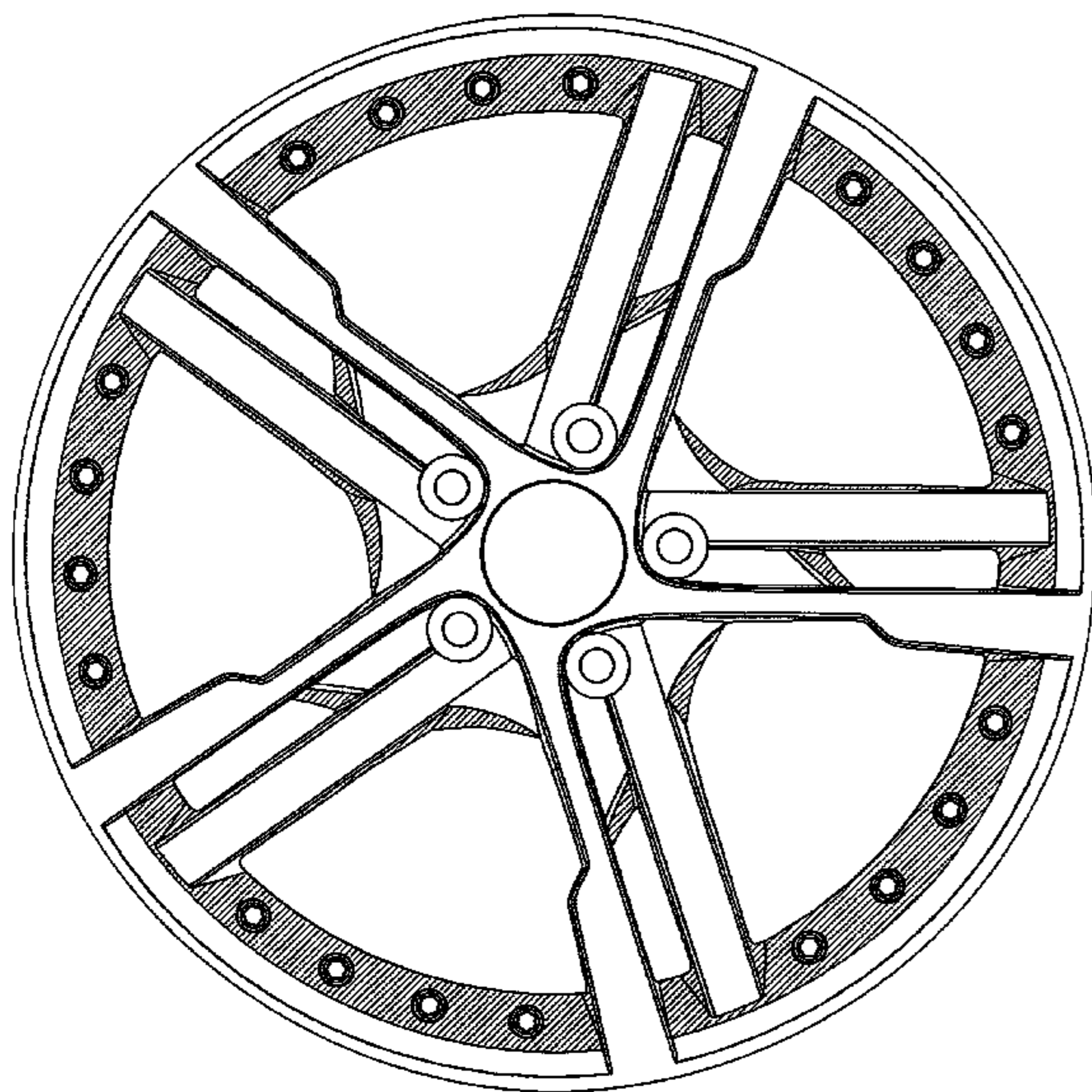


Figure 1

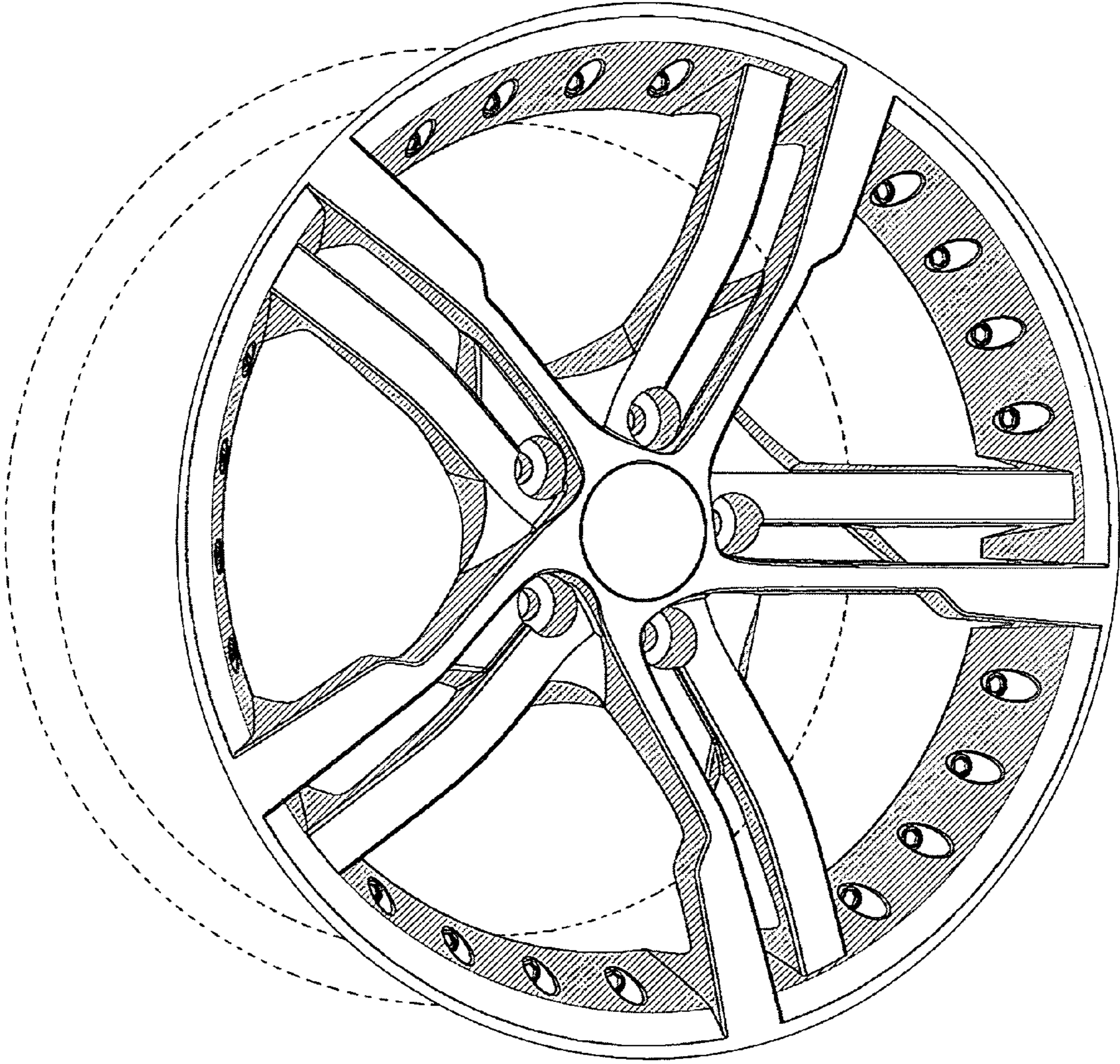


Figure 2

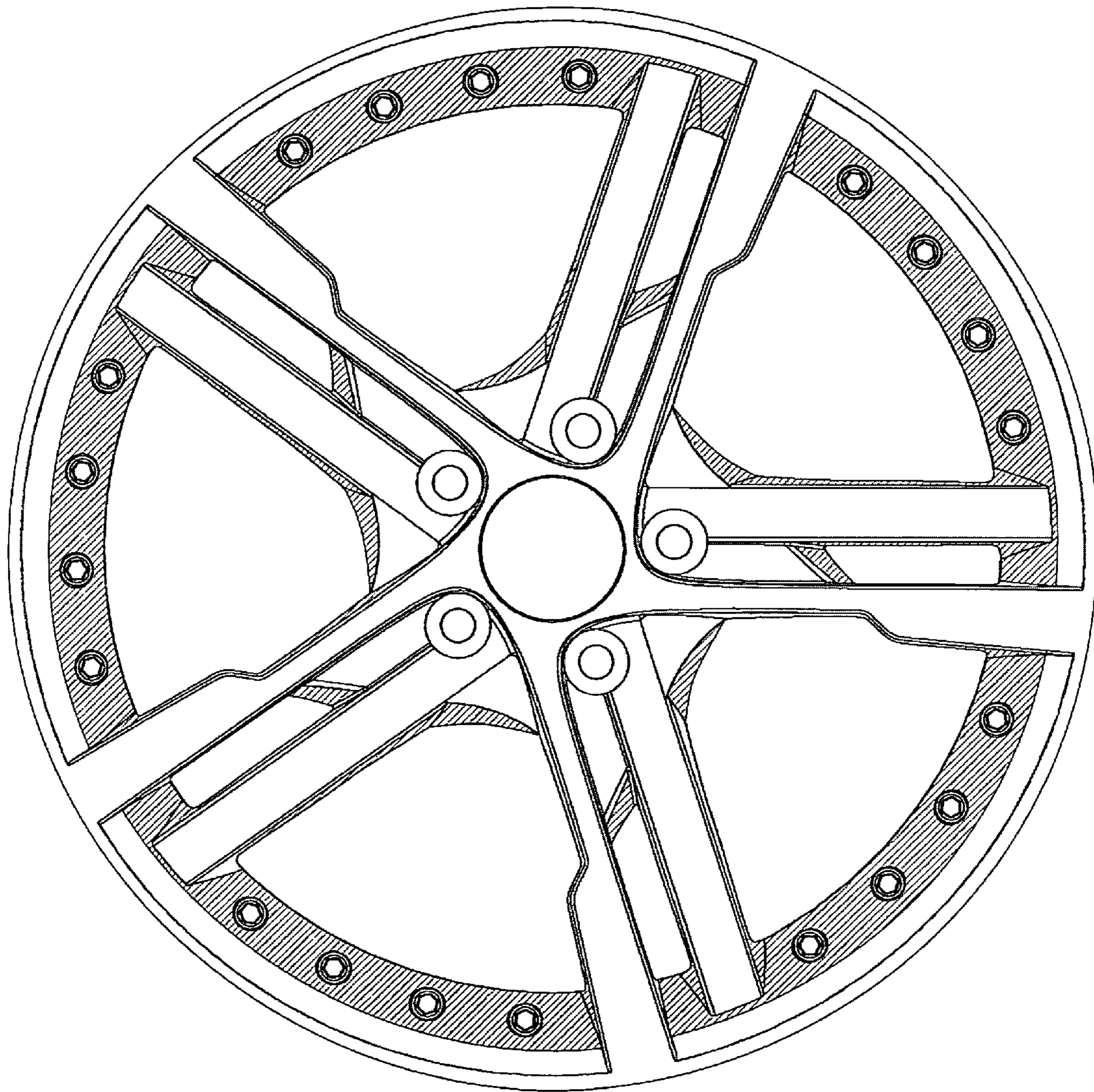


Figure 3

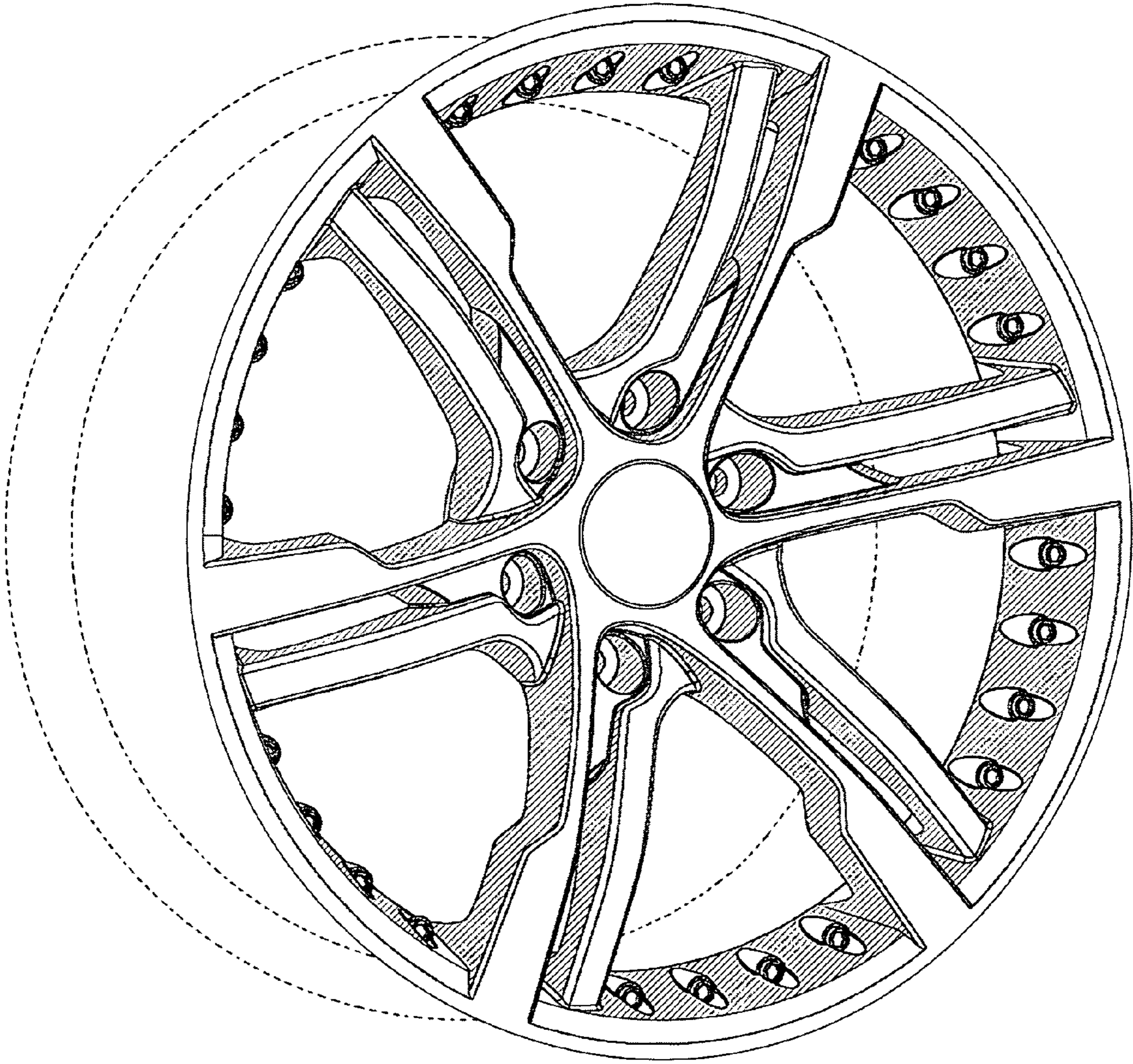


Figure 4

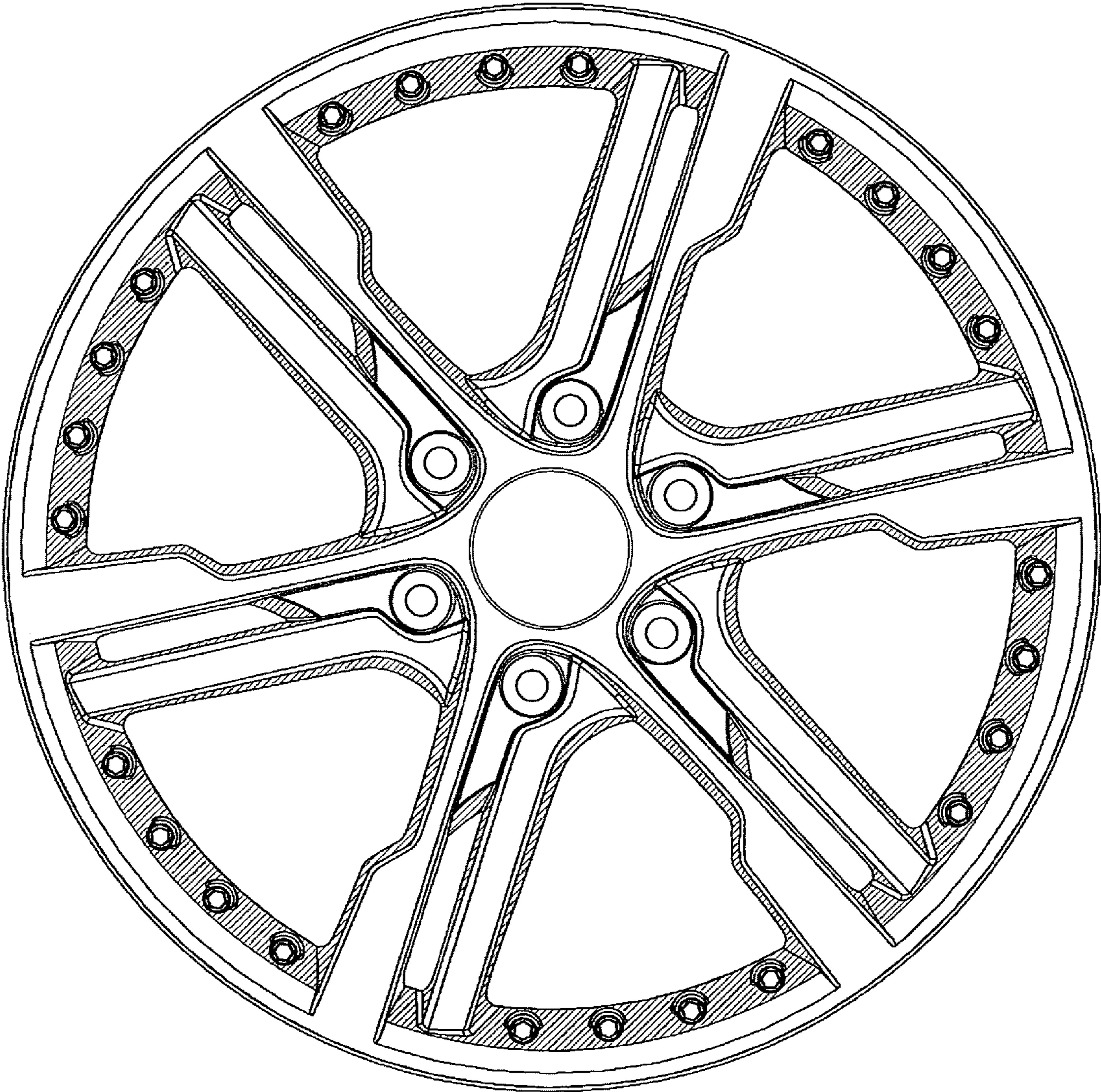


Figure 5

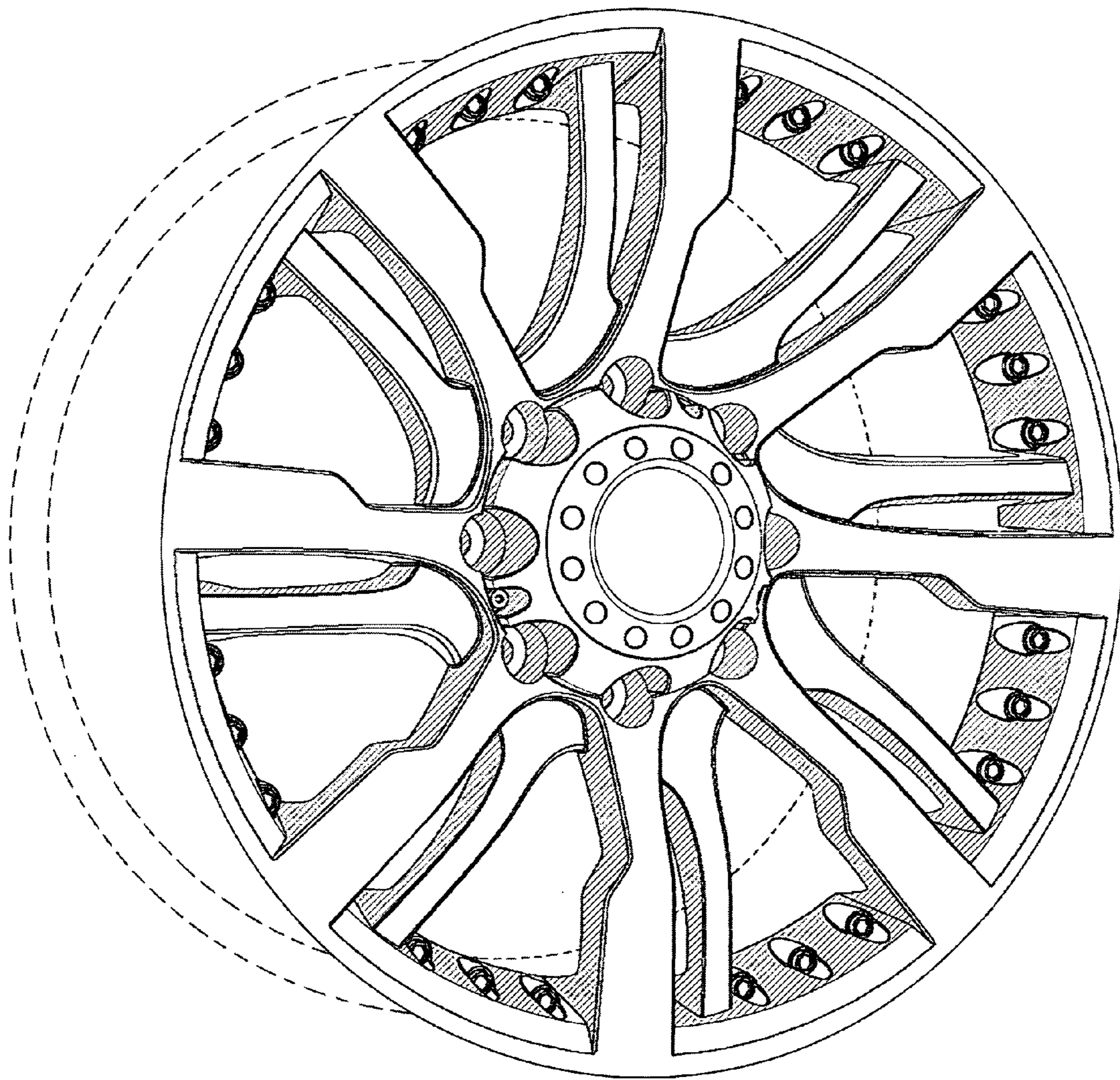


Figure 6

