



US00D574310S

(12) **United States Design Patent**
Huet

(10) **Patent No.:** **US D574,310 S**
(45) **Date of Patent:** **** Aug. 5, 2008**

(54) **FRONT FACE OF A VEHICLE WHEEL**

(75) Inventor: **Jean-François Alexandre Huet**, Villers
Allerand (FR)

(73) Assignee: **Bayerische Motoren Werke**
Aktiengesellschaft, Munich (DE)

(**) Term: **14 Years**

(21) Appl. No.: **29/283,806**

(22) Filed: **Aug. 24, 2007**

(30) **Foreign Application Priority Data**

Feb. 26, 2007 (DE) 4 07 01 059

(51) **LOC (8) Cl.** **12-16**

(52) **U.S. Cl.** **D12/209**

(58) **Field of Classification Search** D12/204-213;
301/37.101, 64.101, 65, 64.201
See application file for complete search history.

(56) **References Cited**

U.S. PATENT DOCUMENTS

D403,648 S * 1/1999 Feriero D12/209
D432,479 S * 10/2000 Lee et al. D12/209
D436,907 S * 1/2001 Ong D12/209

D460,936 S * 7/2002 Nakazawa et al. D12/209
D470,093 S * 2/2003 Frizzi D12/209
D503,917 S * 4/2005 Kushartanto D12/209
D505,371 S * 5/2005 Hueller D12/209
D515,997 S * 2/2006 Phillips D12/209
D524,216 S * 7/2006 Scheu D12/211
D538,215 S * 3/2007 Laengerer et al. D12/209
D541,204 S 4/2007 Huet
D550,140 S * 9/2007 Laengerer D12/211
D553,067 S * 10/2007 Muzzarelli D12/211

* cited by examiner

Primary Examiner—Stacia Cadmus

(74) *Attorney, Agent, or Firm*—Crowell & Moring LLP

(57) **CLAIM**

The ornamental design for a front face of a vehicle wheel, as shown and described.

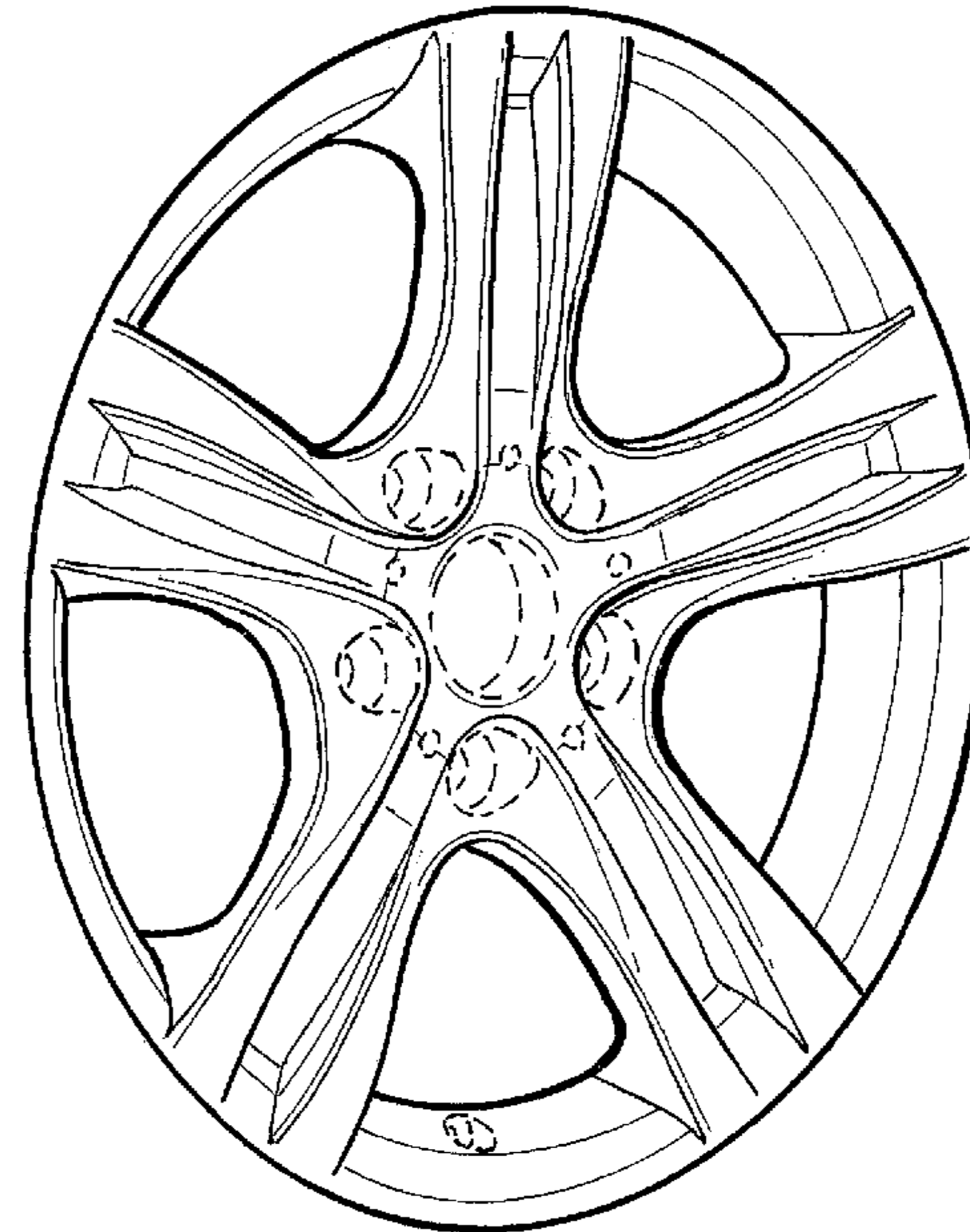
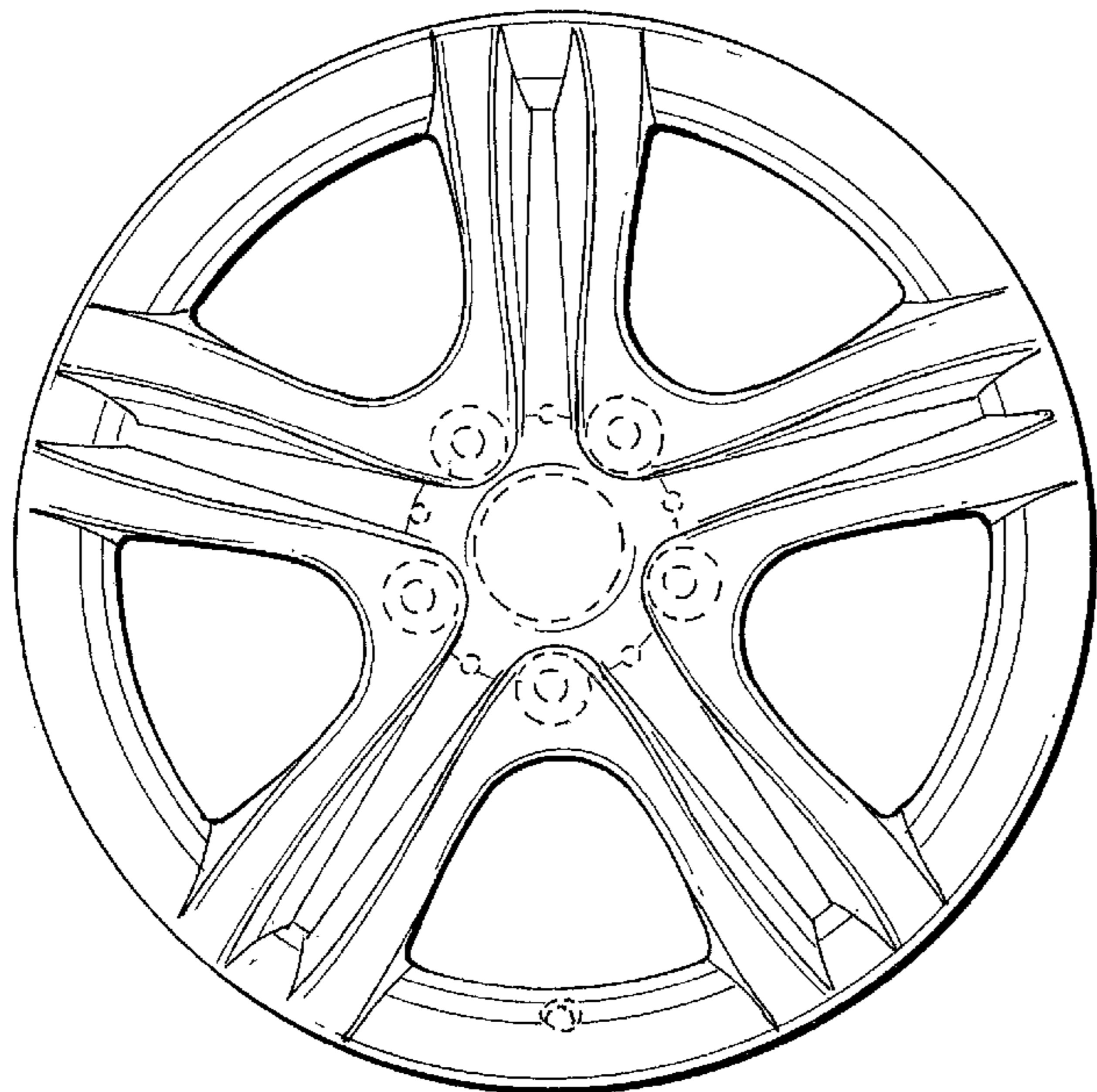
DESCRIPTION

FIG. 1 is a front view of a front face of a vehicle wheel according to my novel design; and,

FIG. 2 is a perspective view thereof.

The broken lines are for illustrative purposes only and form no part of the claimed design.

1 Claim, 1 Drawing Sheet



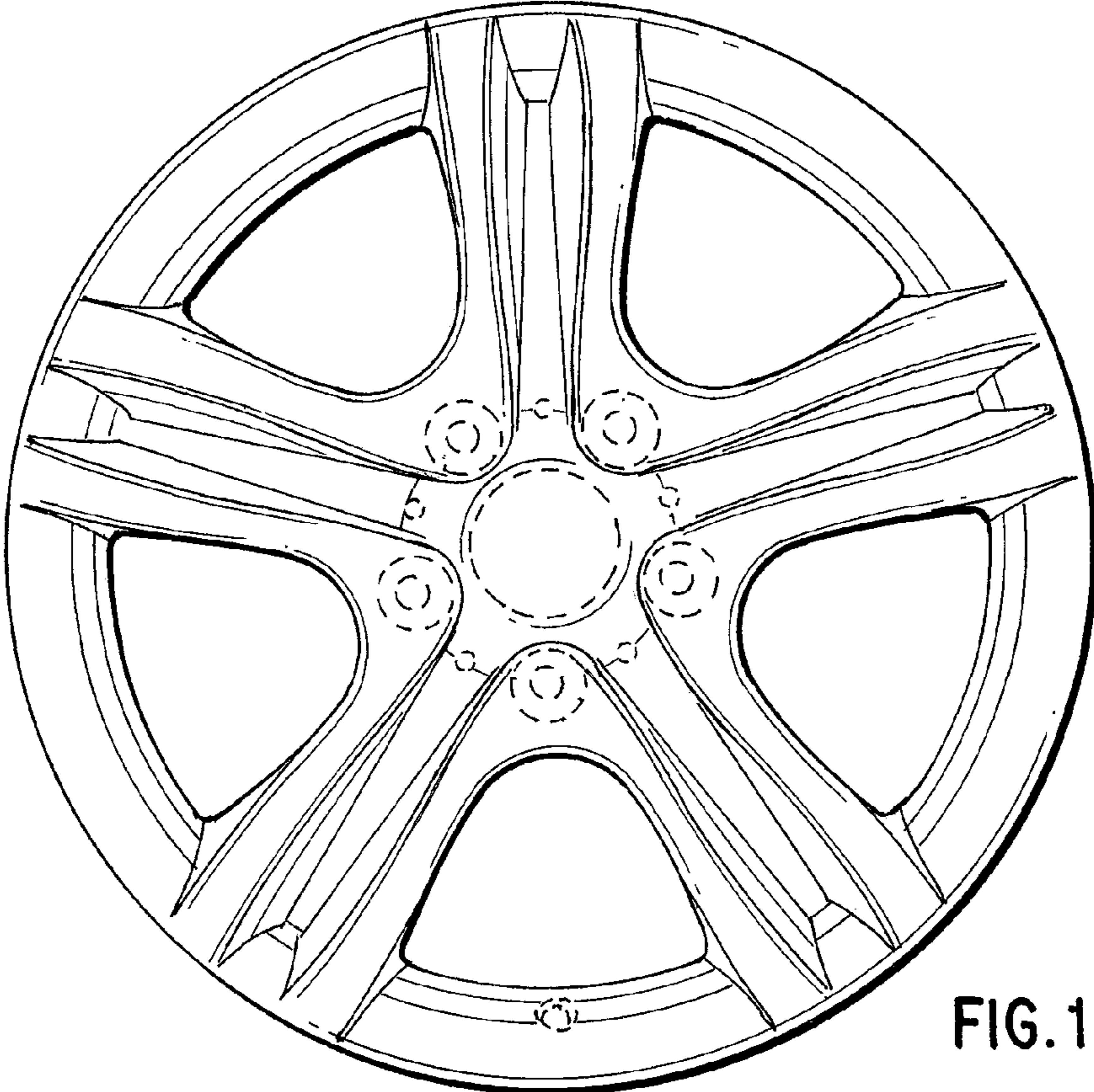


FIG. 1

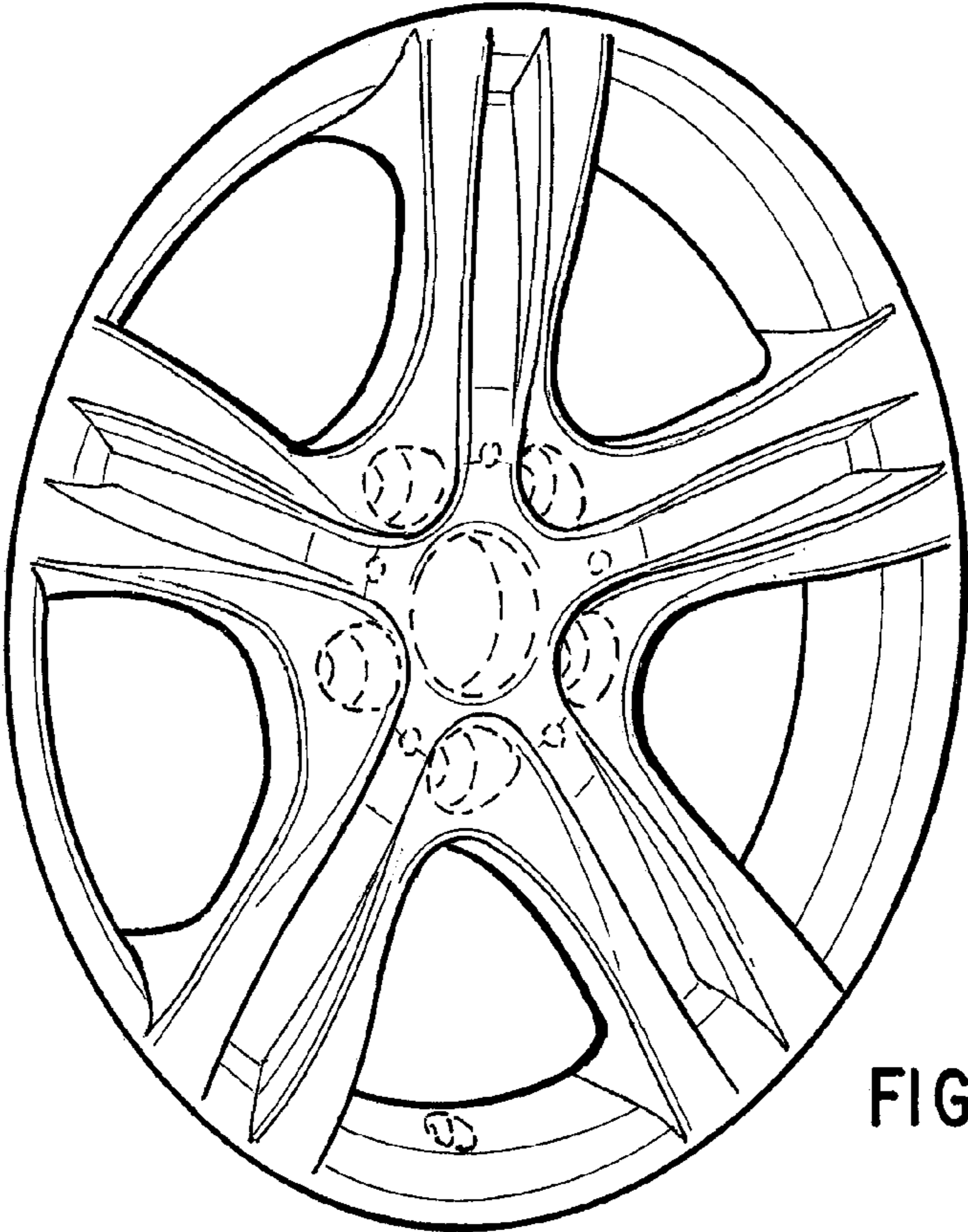


FIG. 2