



US00D574299S

(12) **United States Design Patent**
Kouchi et al.

(10) **Patent No.:** **US D574,299 S**

(45) **Date of Patent:** **** Aug. 5, 2008**

(54) **MOTORCYCLE**

D531,936 S * 11/2006 Ito et al. D12/110

(75) Inventors: **Kaoru Kouchi**, Kakogawa (JP); **Shunji Tanaka**, Kobe (JP); **Toshiya Furuta**, Kobe (JP)

OTHER PUBLICATIONS

Henshaw, Peter. The Encyclopedia of the Motorcycle. NJ., Chartwell Books, Inc. Honda ST 1100 on p. 178.*

(73) Assignee: **Kawasaki Jukogyo Kabushiki Kaisha**, Hyogo (JP)

* cited by examiner

(**) Term: **14 Years**

Primary Examiner—Cathron Brooks
Assistant Examiner—Linda Brooks

(21) Appl. No.: **29/273,724**

(57) **CLAIM**

(22) Filed: **Mar. 12, 2007**

The ornamental design for a motorcycle, as shown and described.

(30) **Foreign Application Priority Data**

DESCRIPTION

Sep. 15, 2006 (JP) 2006-024777

FIG. 1 is a front elevational view of a motorcycle showing our new design;

(51) **LOC (8) Cl.** **12-11**

FIG. 2 is a rear elevational view thereof;

(52) **U.S. Cl.** **D12/110**

FIG. 3 is a left side elevational view thereof;

(58) **Field of Classification Search** D12/110;

FIG. 4 is a right side elevational view thereof;

180/219, 220, 225, 229

FIG. 5 is a top plan view thereof;

See application file for complete search history.

FIG. 6 is a bottom plan view thereof,

(56) **References Cited**

FIG. 7 is a front perspective view thereof; and,

U.S. PATENT DOCUMENTS

FIG. 8 is a rear perspective view thereof.

D321,676 S * 11/1991 Kitagawa et al. D12/110

D403,277 S * 12/1998 Kokubu et al. D12/110

D470,800 S * 2/2003 Muta et al. D12/110

1 Claim, 8 Drawing Sheets

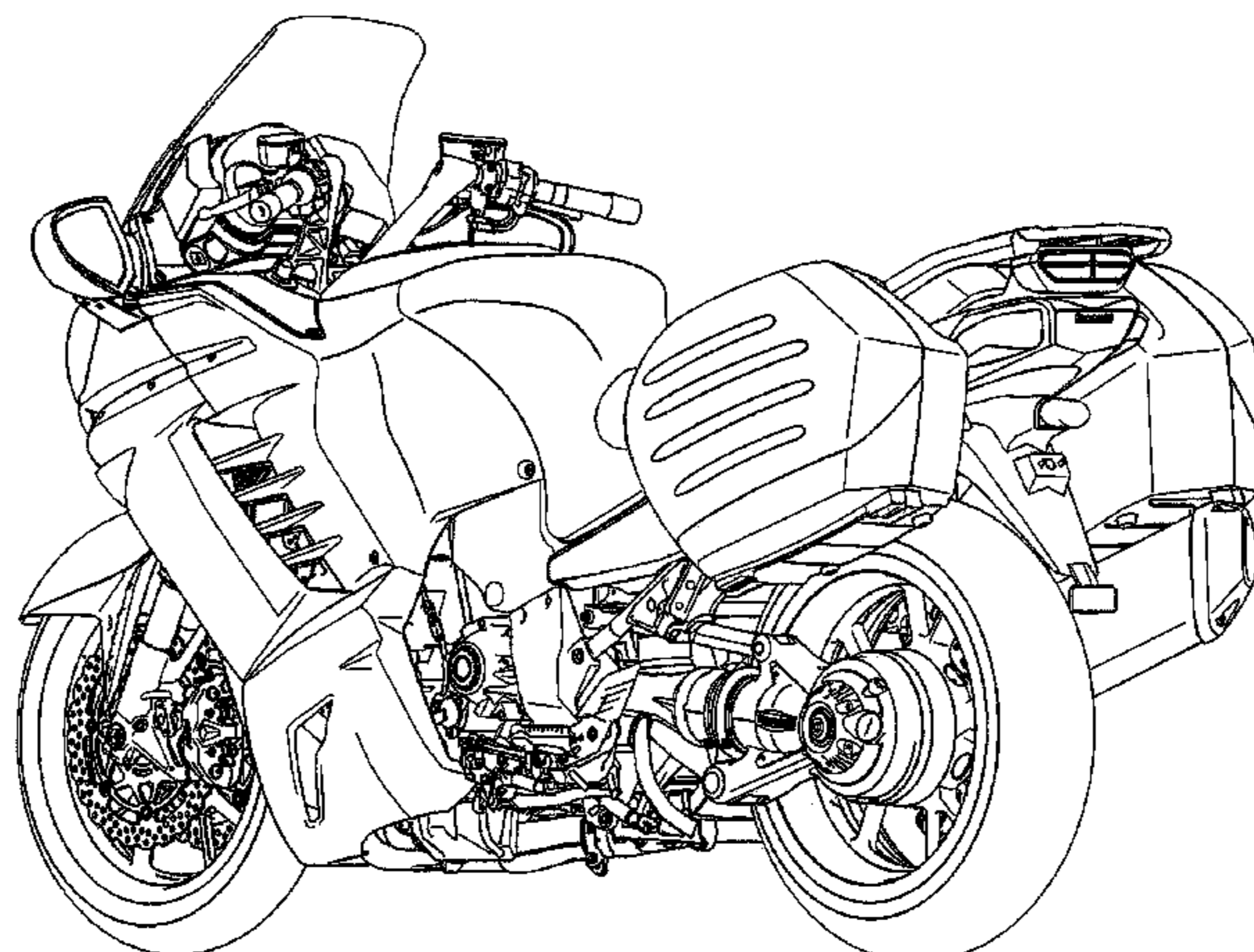
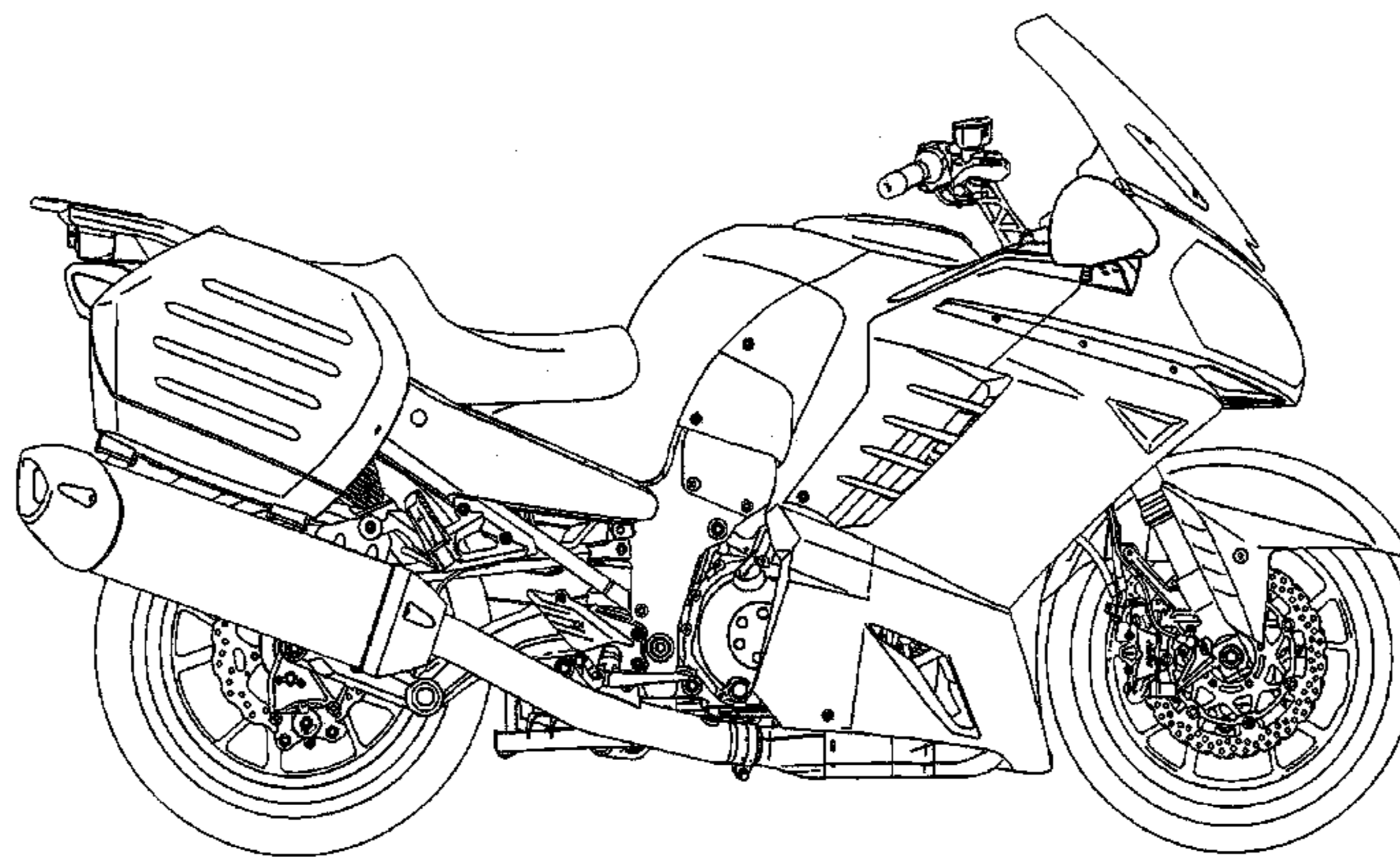


Fig.1

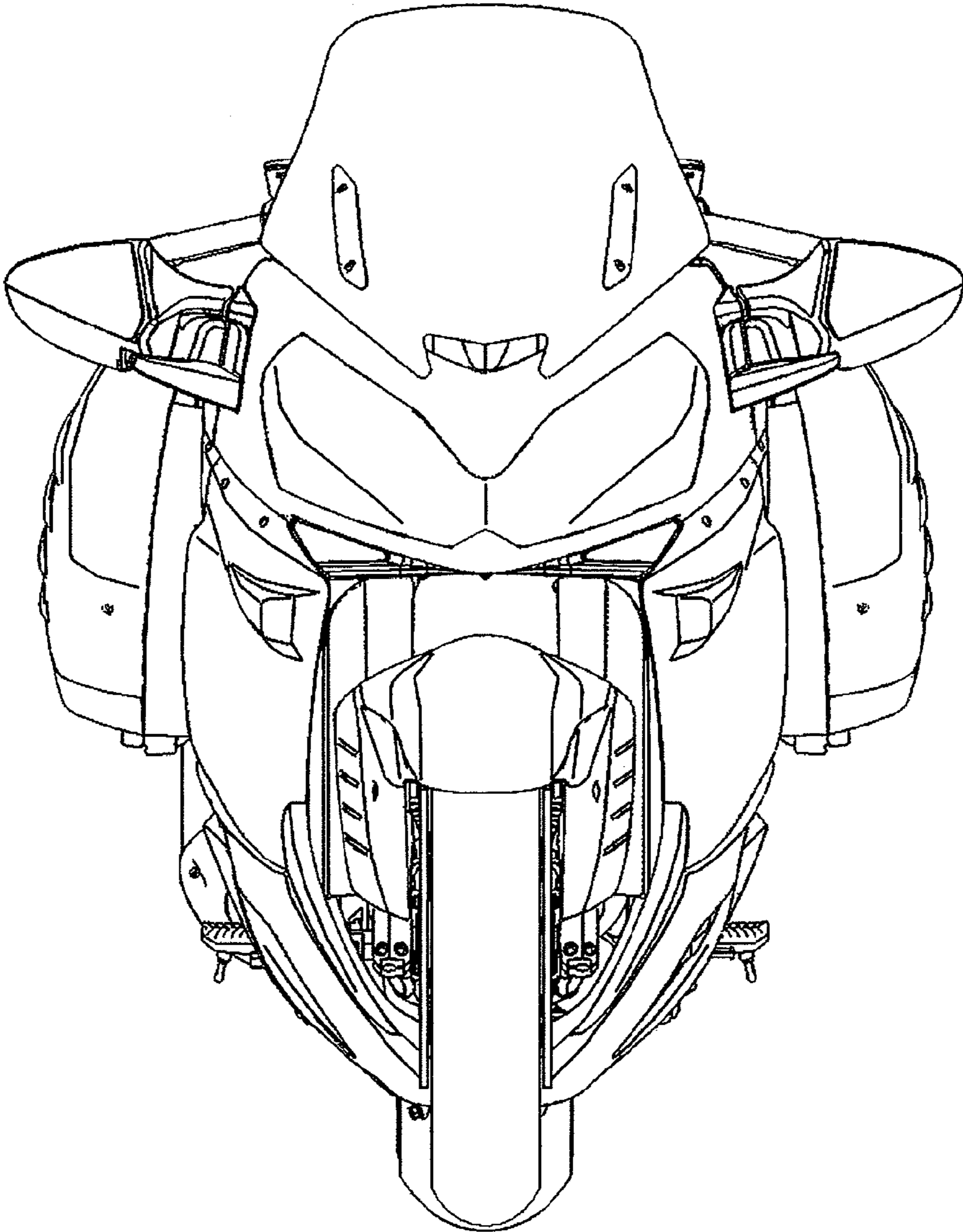
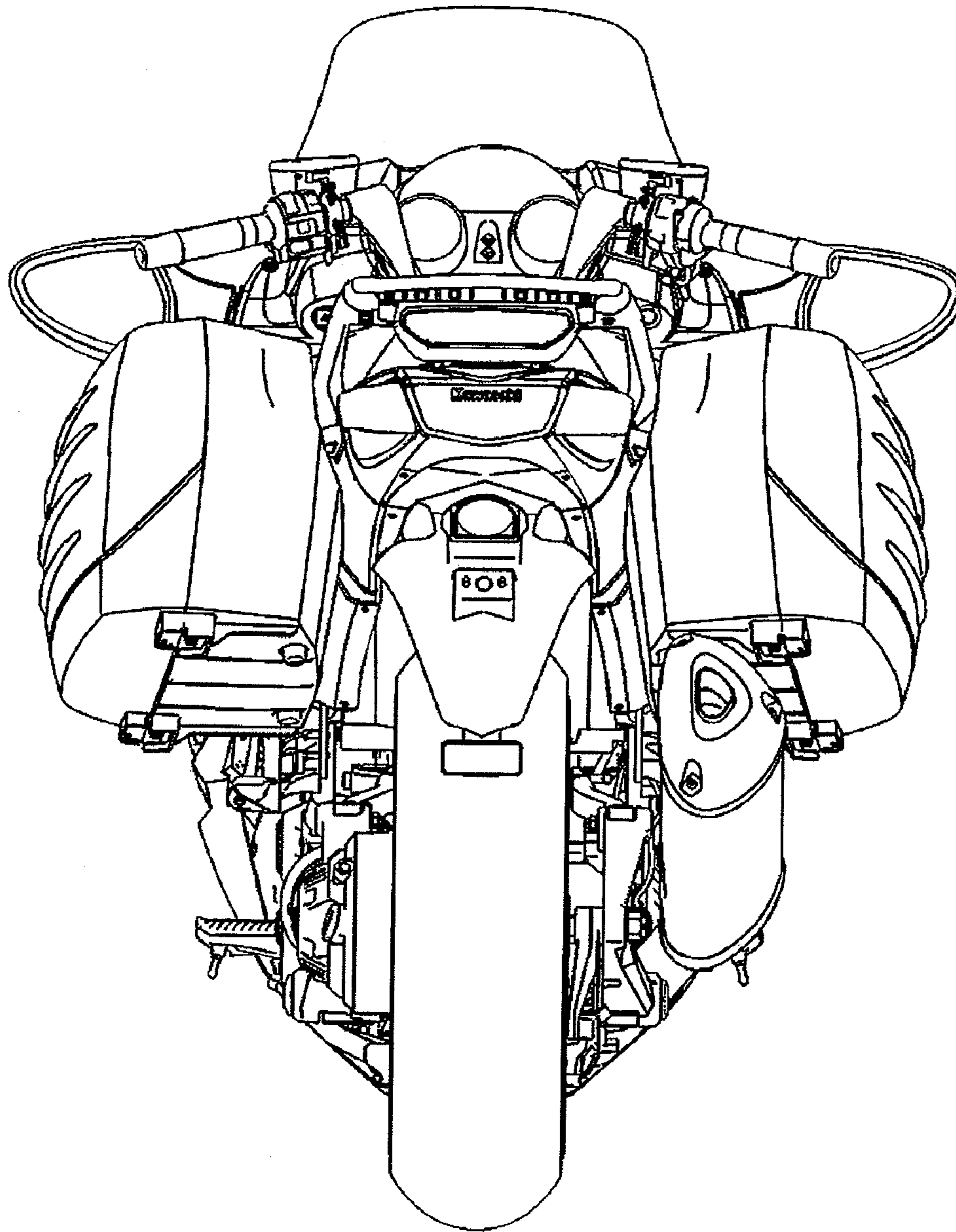


Fig.2



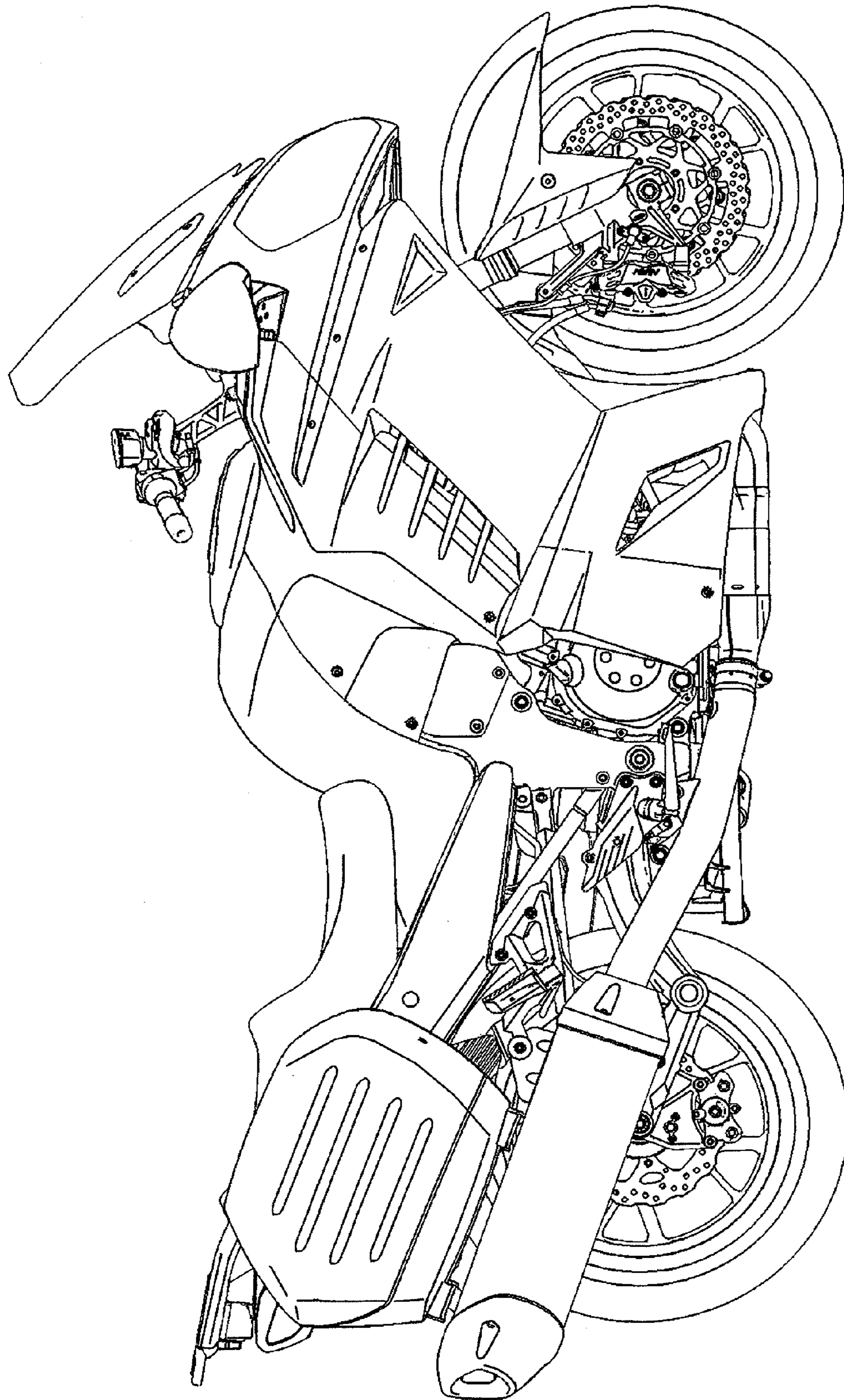


Fig. 3

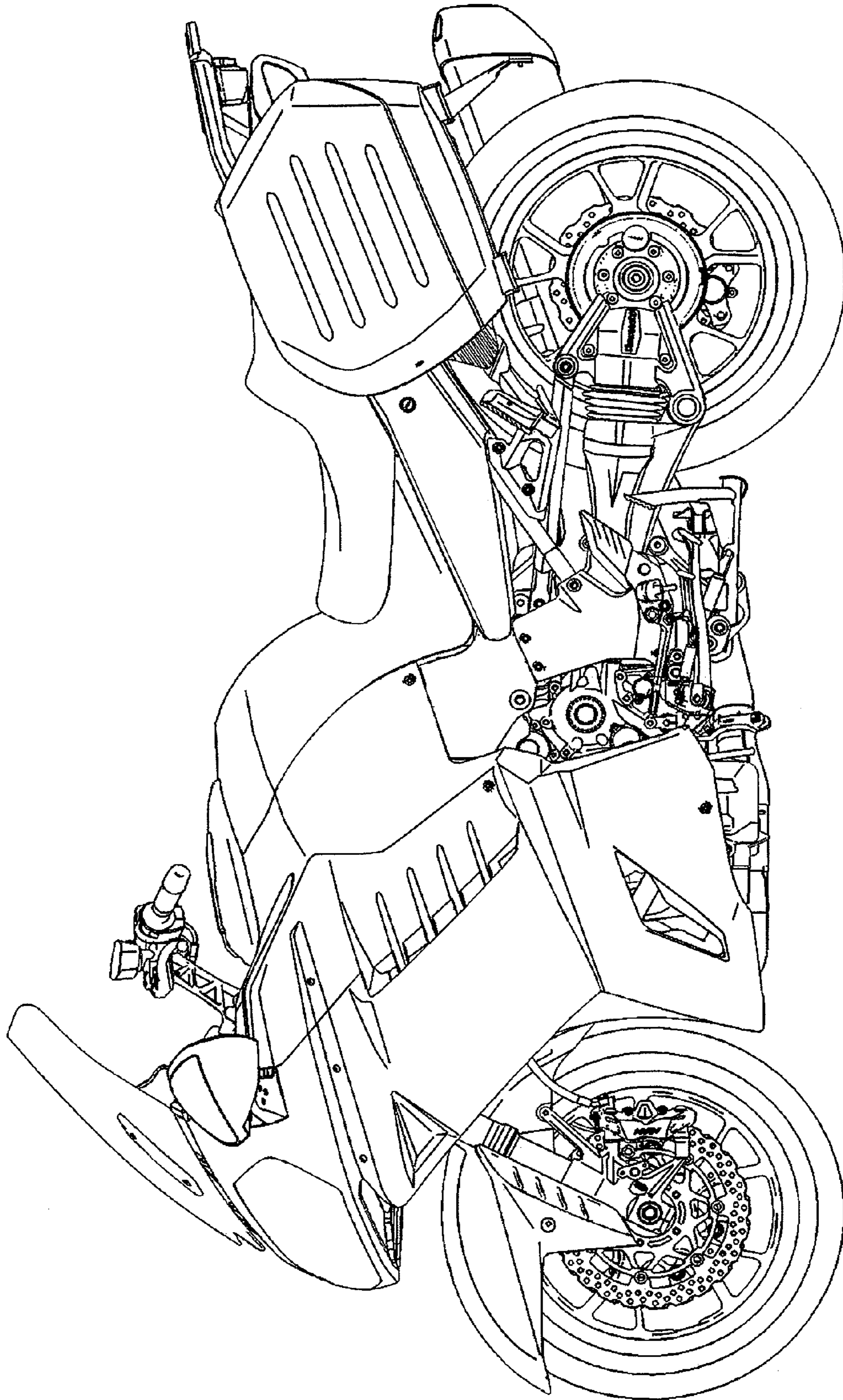


Fig. 4

Fig.5

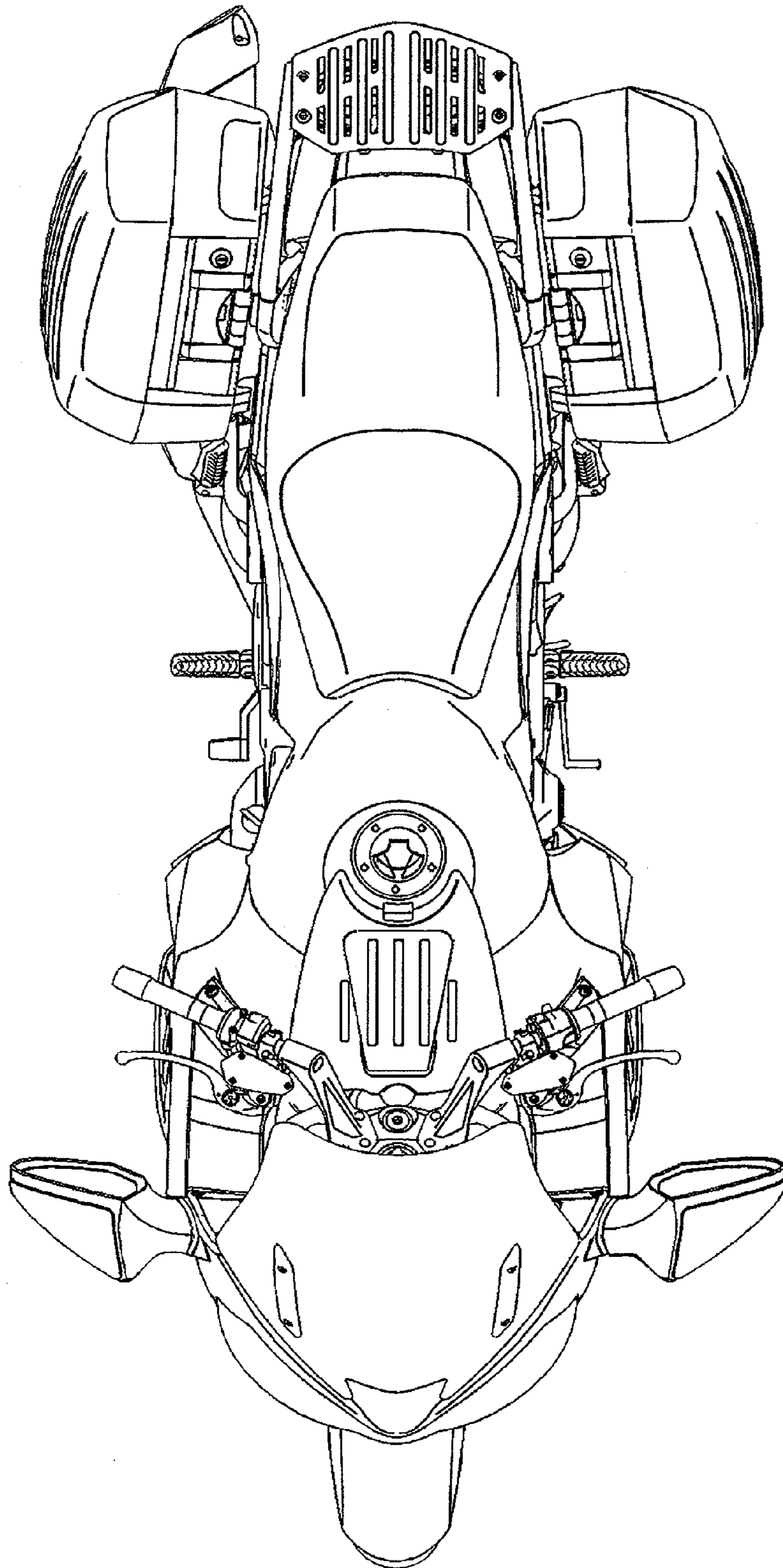
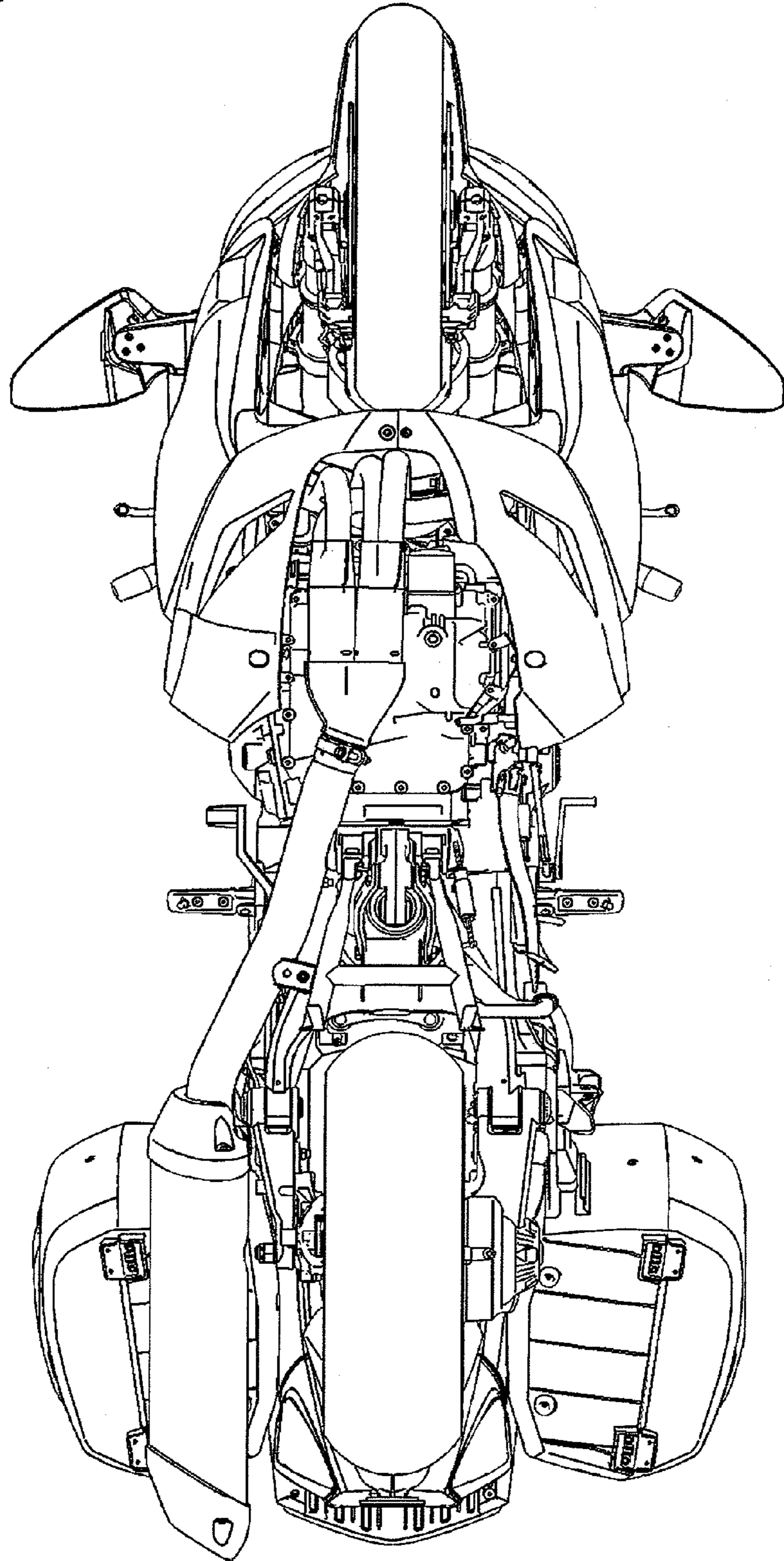


Fig.6



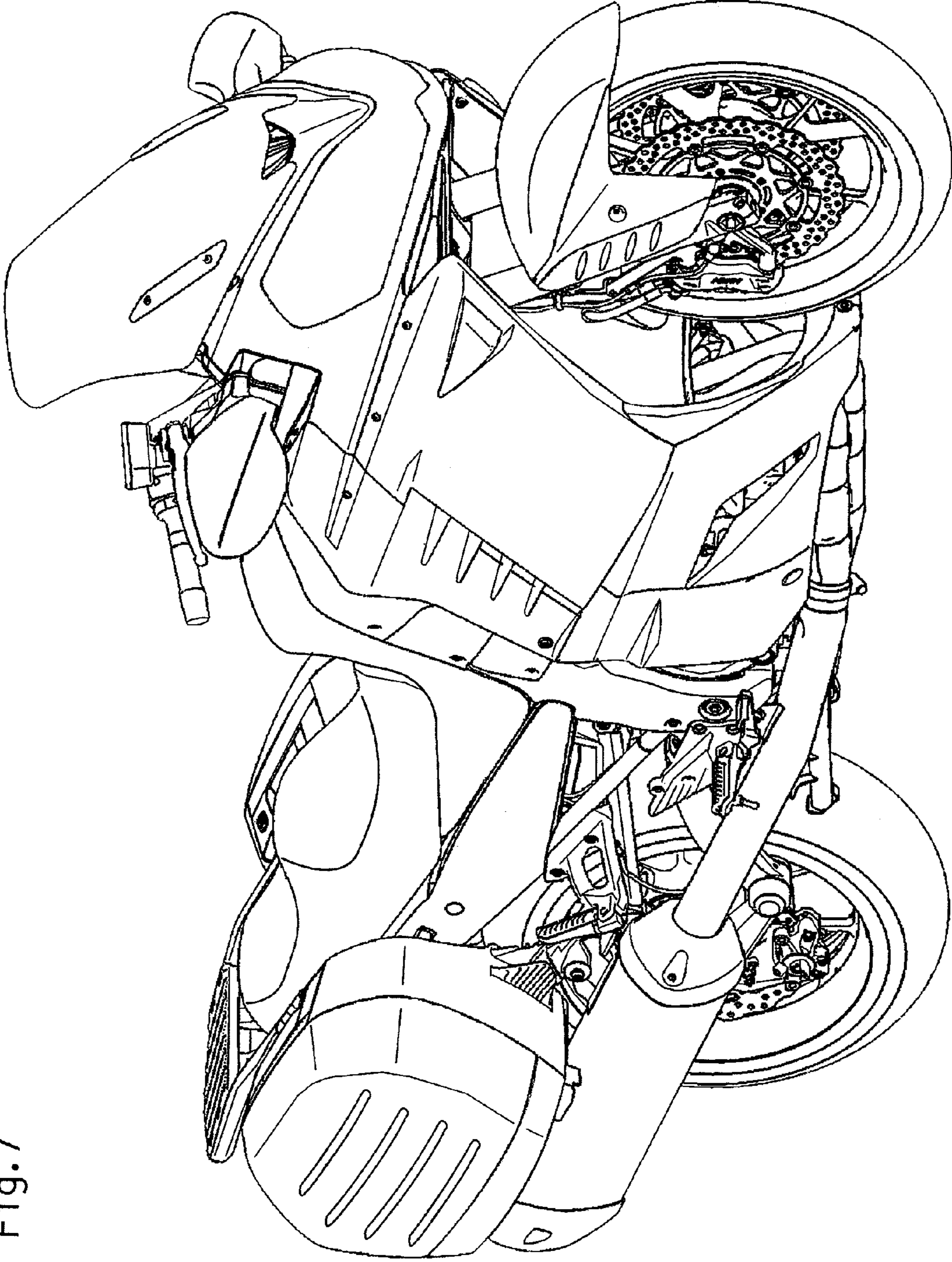


Fig.7

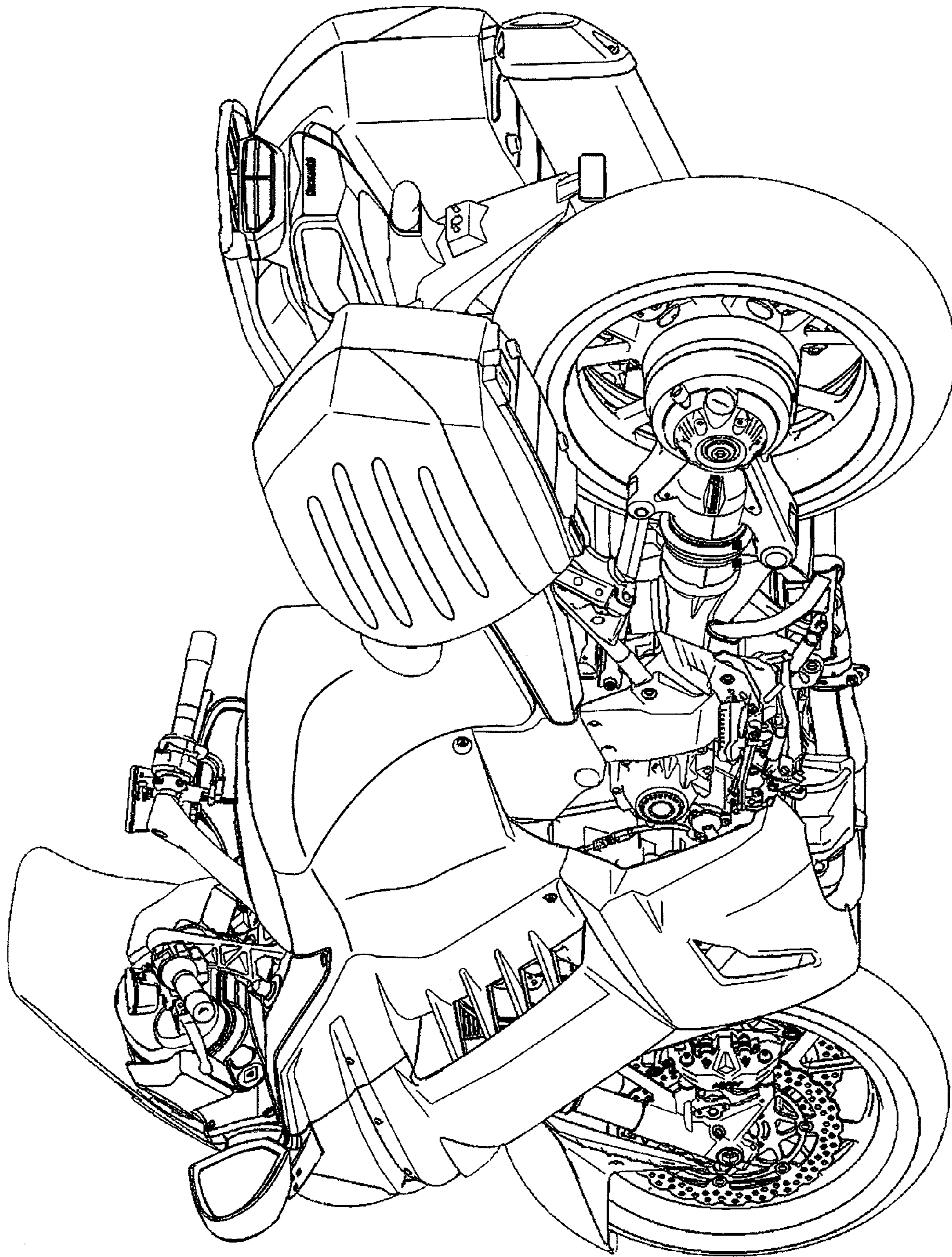


Fig. 8