



US00D574297S

(12) **United States Design Patent**
Carl

(10) **Patent No.:** **US D574,297 S**

(45) **Date of Patent:** **** Aug. 5, 2008**

(54) **ELECTRIC GO KART**

D555,036 S * 11/2007 Eck D12/87

(76) Inventor: **Ronald Glen Carl**, 15590 Lyons Valley Rd., Jamul, CA (US) 91935

* cited by examiner

Primary Examiner—Melody N Brown

(**) Term: **14 Years**

(21) Appl. No.: **29/288,198**

(57) **CLAIM**

(22) Filed: **Apr. 1, 2006**

The ornamental design for an electric go kart, as shown and described.

(51) **LOC (8) Cl.** **12-08**

DESCRIPTION

(52) **U.S. Cl.** **D12/87**

(58) **Field of Classification Search** D12/87,
D12/86, 1; D21/433; 296/181.1

FIG. 1. is a perspective view of an electric go kart showing my new design;

See application file for complete search history.

FIG. 2. is a right side view thereof;

FIG. 3. is a left side view thereof;

(56) **References Cited**

U.S. PATENT DOCUMENTS

- D286,760 S * 11/1986 Ooba et al. D12/87
- D500,707 S * 1/2005 Lu D12/87
- D503,658 S * 4/2005 Lu D12/87
- D535,215 S * 1/2007 Turner et al. D12/87
- D548,138 S * 8/2007 Geslin et al. D12/87

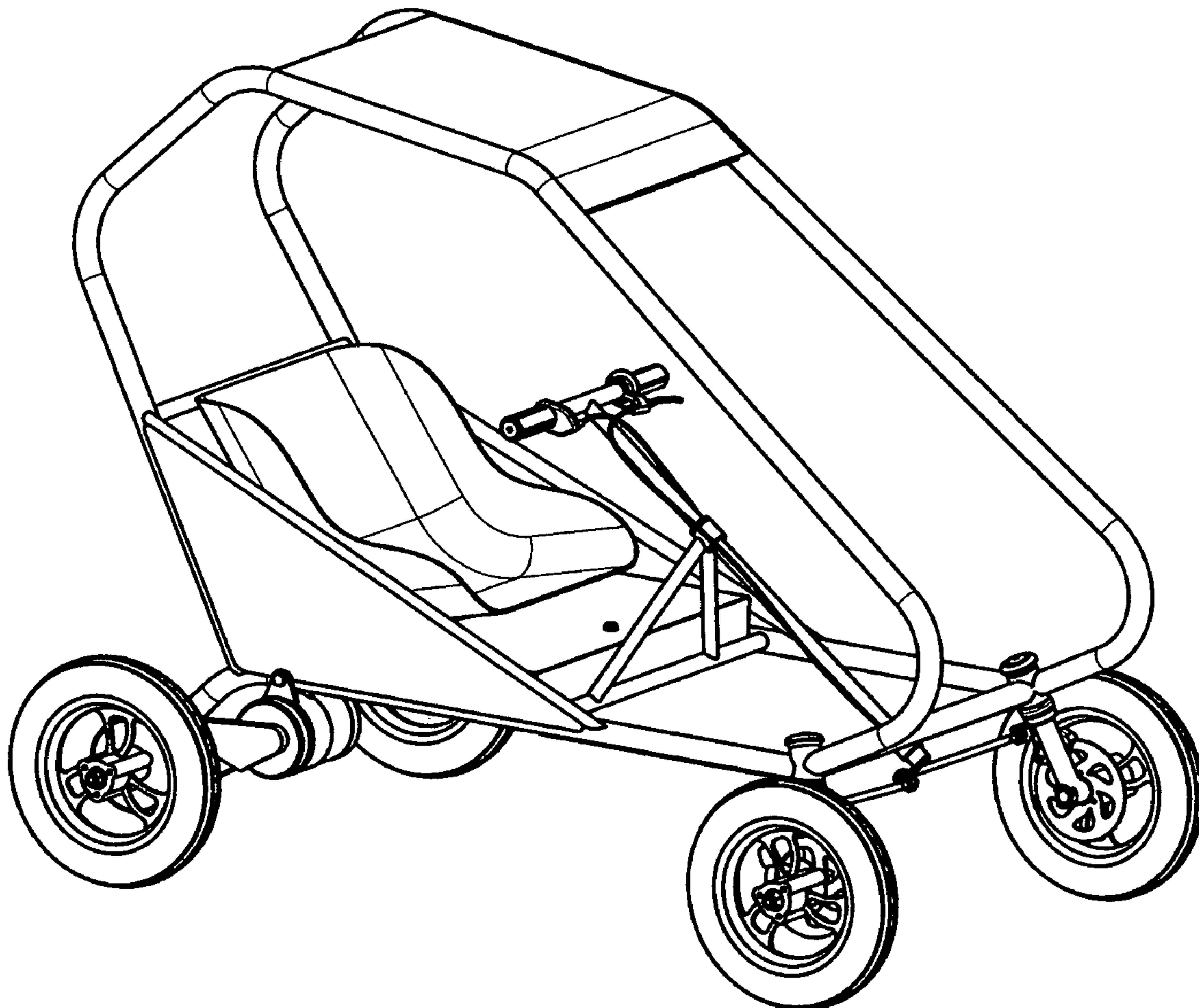
FIG. 4. is a front view thereof;

FIG. 5. is a rear view thereof;

FIG. 6. is a top view thereof; and,

FIG. 7. is a rear perspective view thereof.

1 Claim, 7 Drawing Sheets



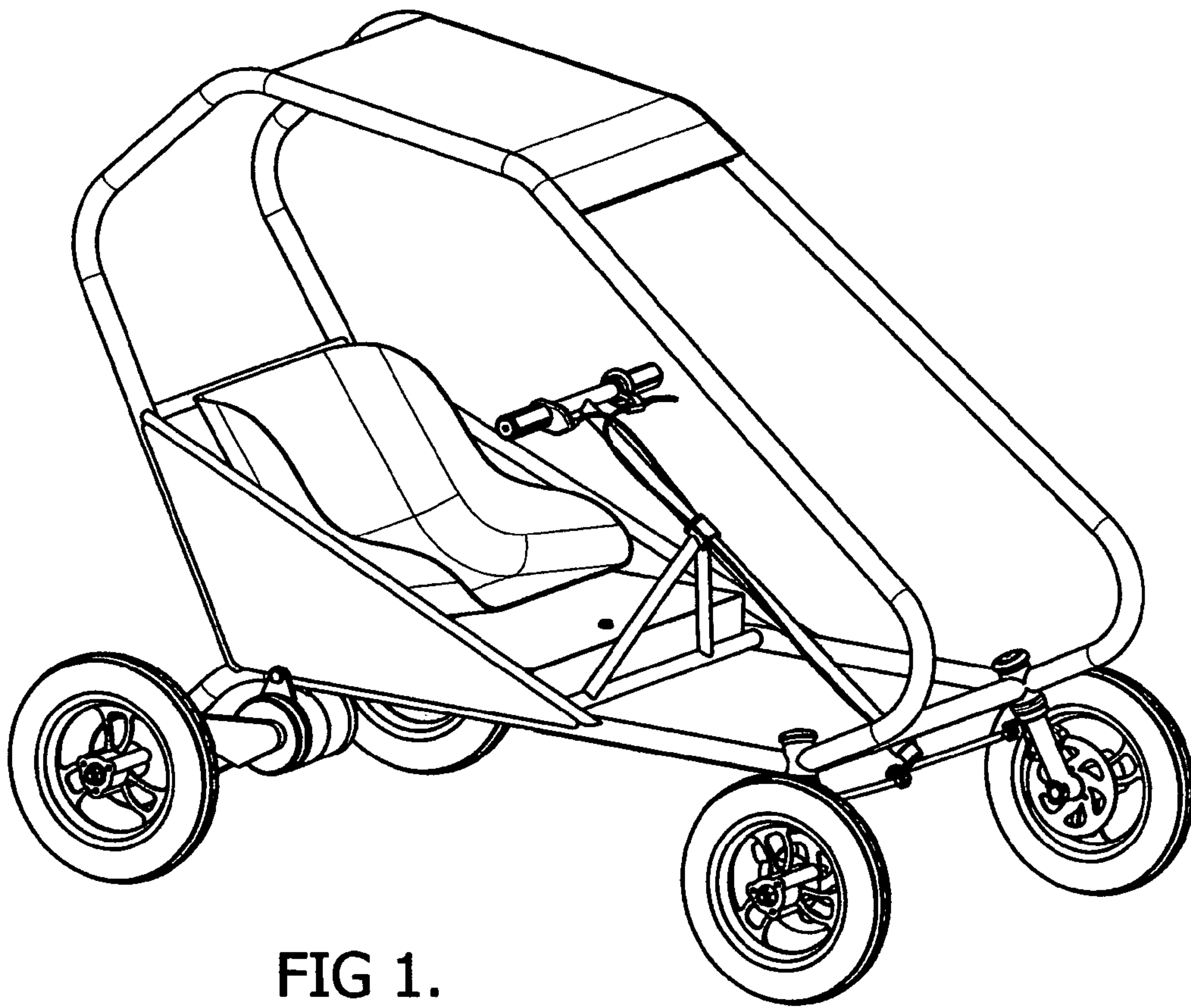


FIG 1.

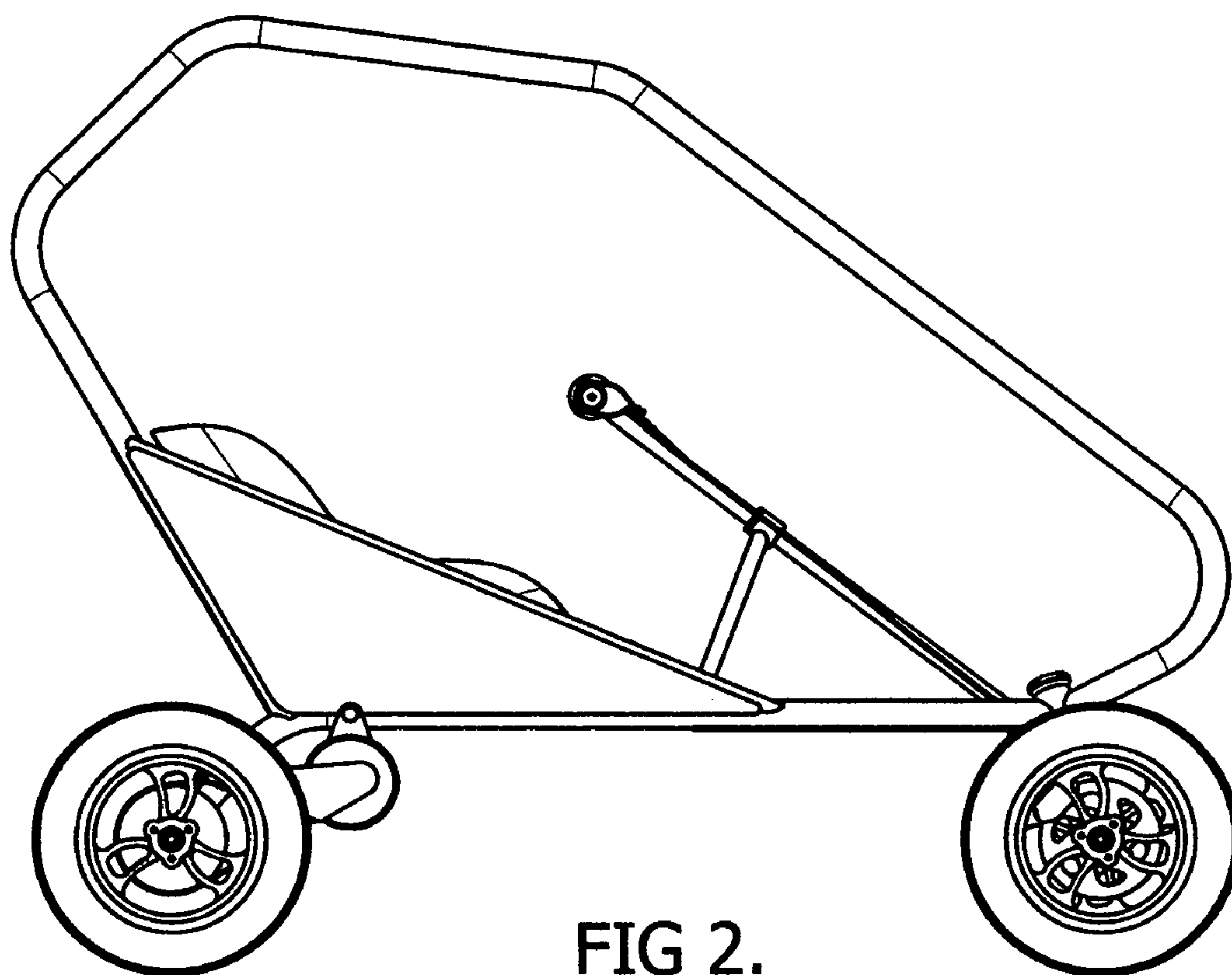


FIG 2.

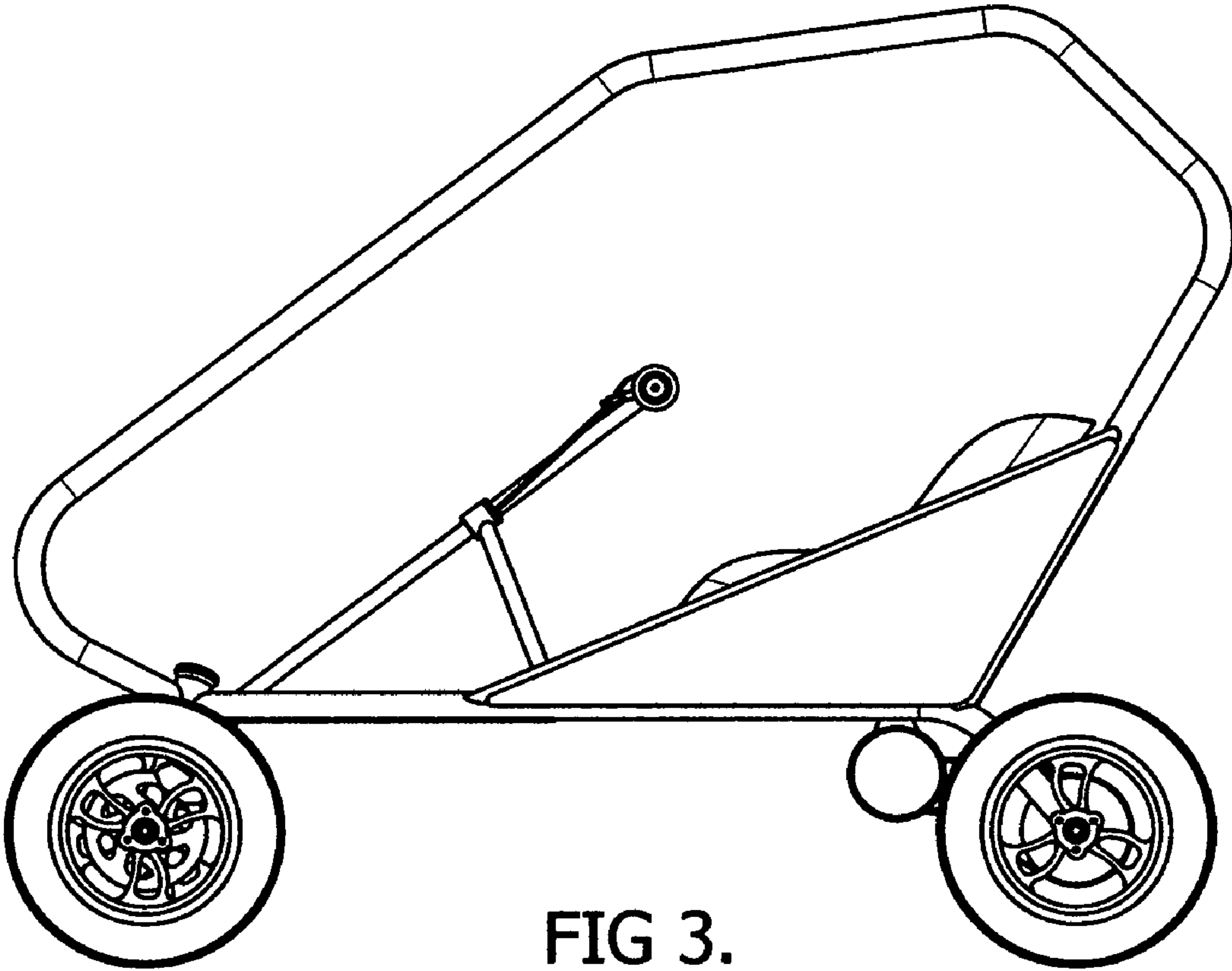


FIG 3.

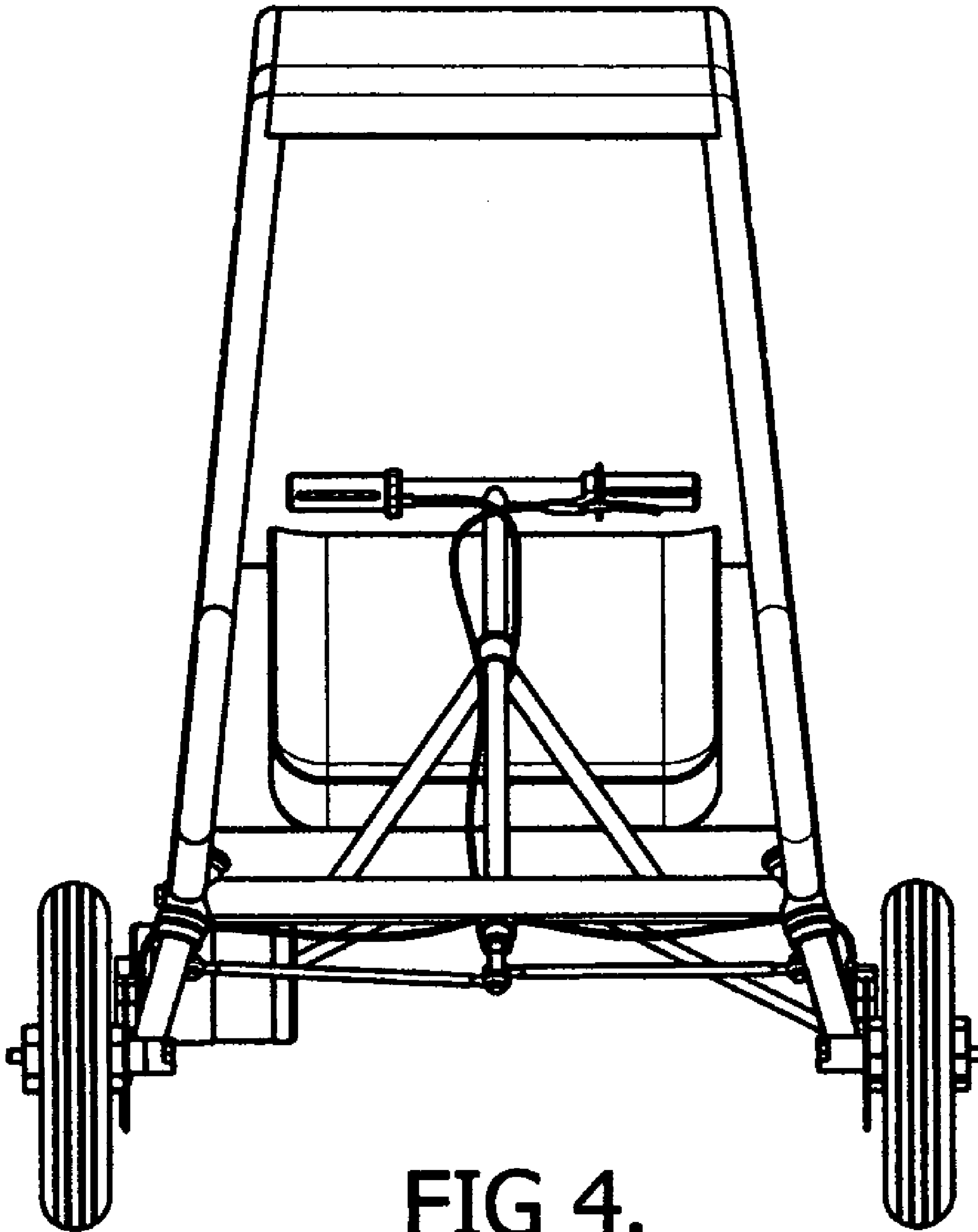


FIG 4.

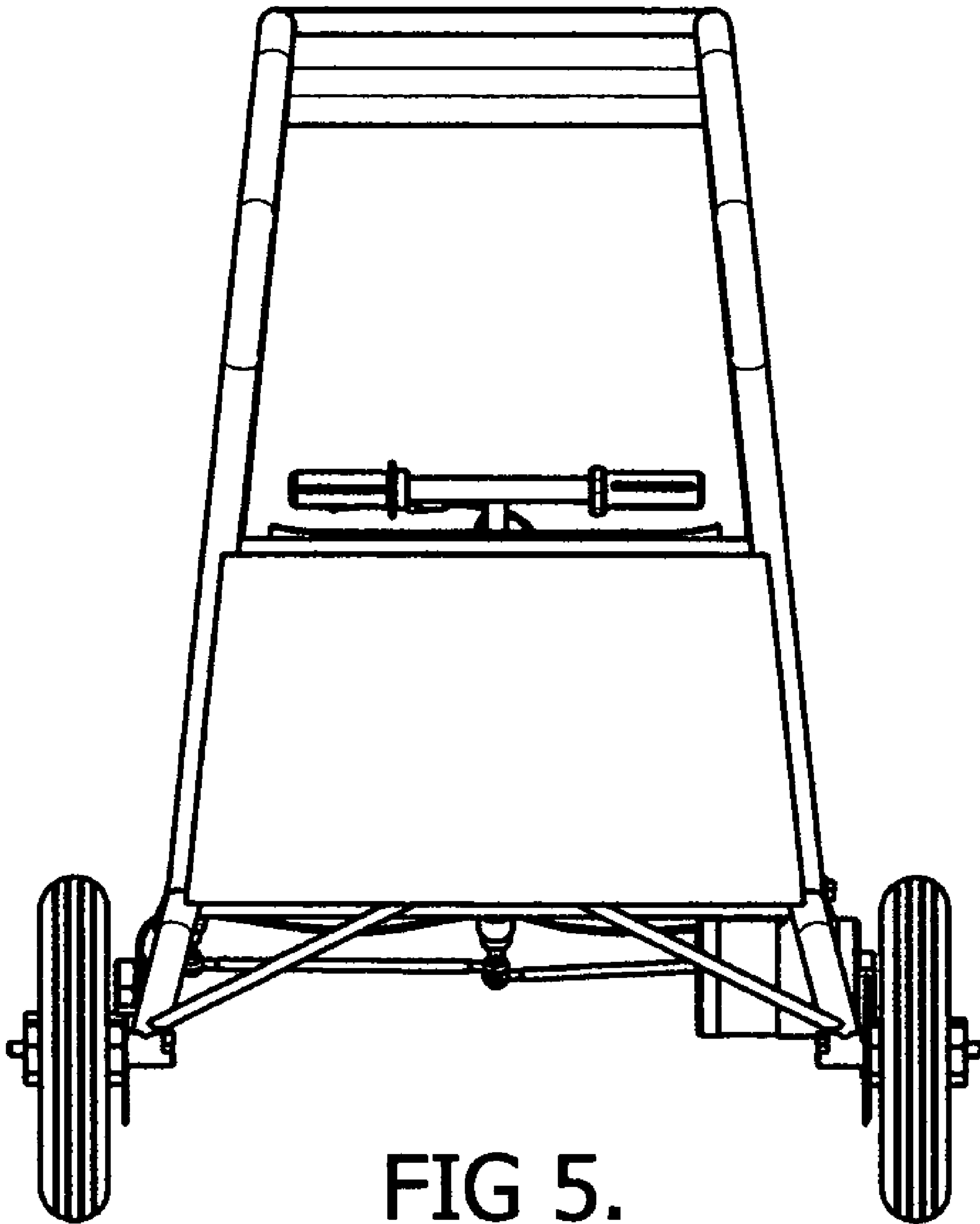


FIG 5.

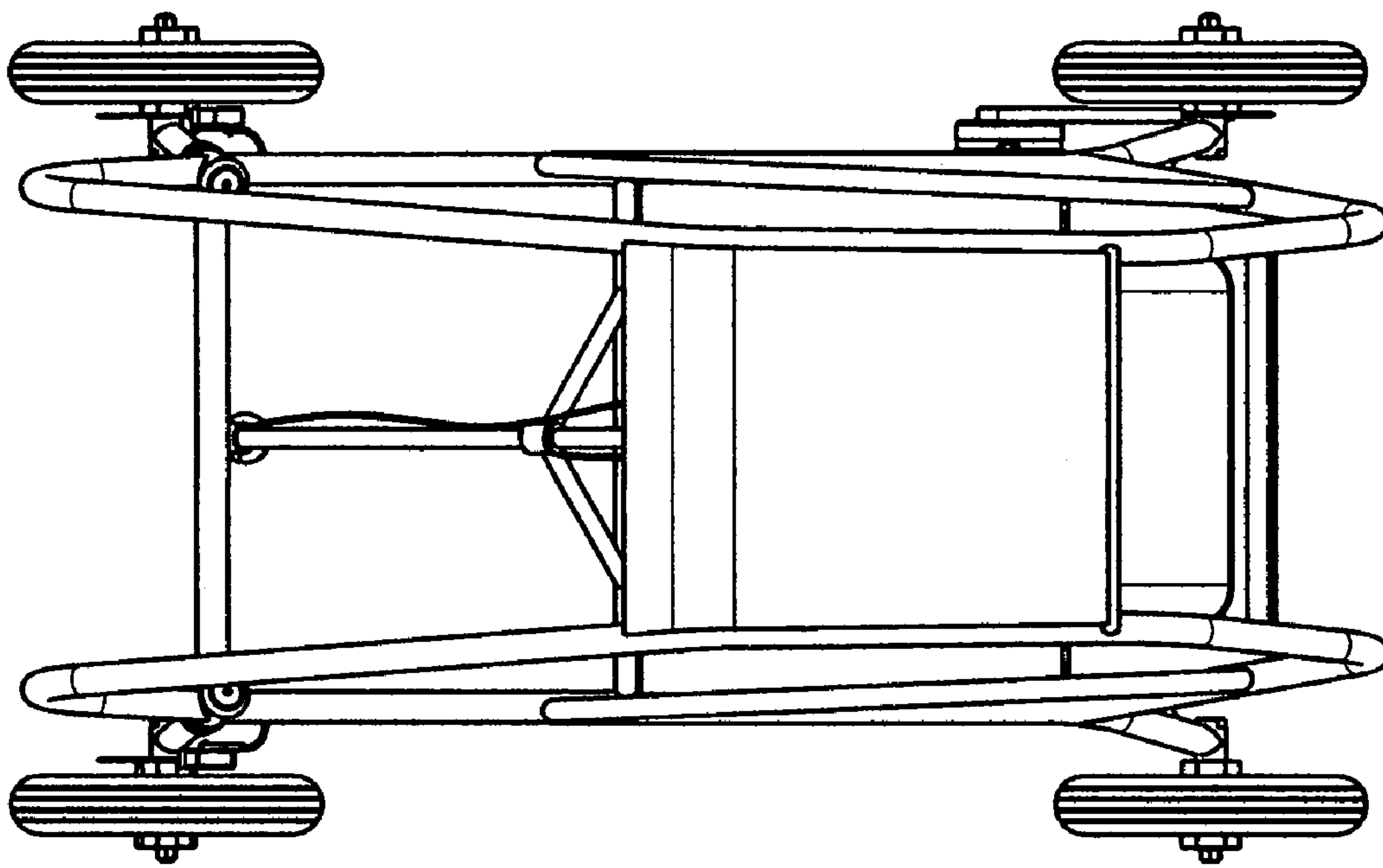


FIG 6.

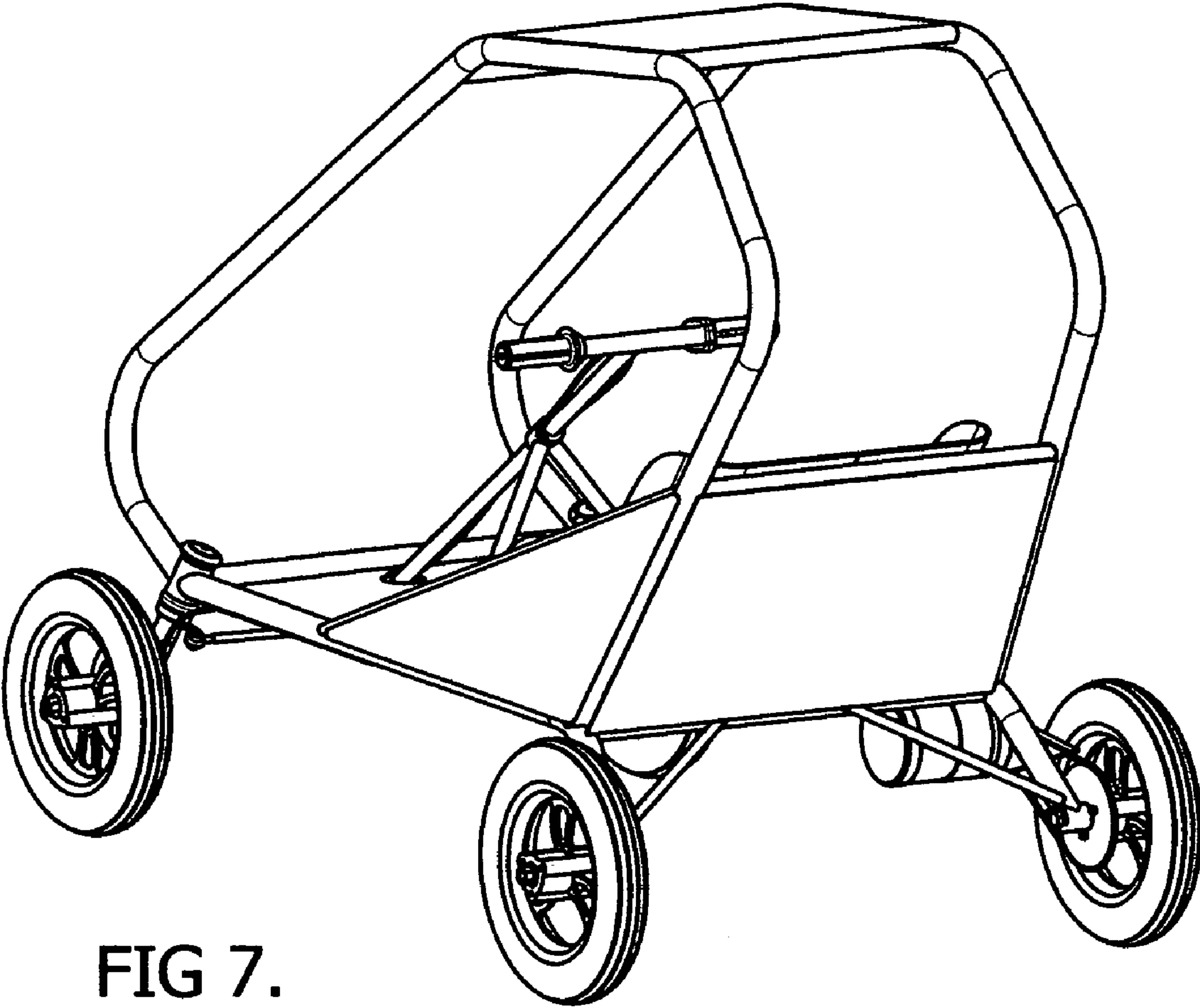


FIG 7.