



US00D574296S

(12) **United States Design Patent**
Keski-Luopa

(10) **Patent No.:** **US D574,296 S**
(45) **Date of Patent:** **** Aug. 5, 2008**

(54) **ENVIRONMENT UPKEEP MACHINE**

(75) Inventor: **Mauno Keski-Luopa**, Lahti (FI)

(73) Assignee: **Actioneco Oy**, Lahti (FI)

(**) Term: **14 Years**

(21) Appl. No.: **29/267,375**

(22) Filed: **Oct. 12, 2006**

(30) **Foreign Application Priority Data**

Apr. 13, 2006 (EM) 000517172

(51) **LOC (8) Cl.** **12-08**

(52) **U.S. Cl.** **D12/85**

(58) **Field of Classification Search** D12/86,
D12/87, 90-92; D21/424, 433, 434; 296/181.1,
296/181.5

See application file for complete search history.

(56) **References Cited**

U.S. PATENT DOCUMENTS

D404,688 S * 1/1999 Hanagan et al. D12/85
D422,940 S * 4/2000 Hanagan et al. D12/85
D424,979 S * 5/2000 Hanagan et al. D12/85

D468,236 S * 1/2003 Pollitzer et al. D12/85
6,755,269 B1 * 6/2004 Davis et al. 180/89.1
D550,588 S * 9/2007 Starr D12/85
2004/0206568 A1 * 10/2004 Davis et al. 180/311

* cited by examiner

Primary Examiner—Sandra Snapp

(74) *Attorney, Agent, or Firm*—Klauber & Jackson LLC

(57) **CLAIM**

The ornamental design for an environment upkeep machine,
as shown and described.

DESCRIPTION

FIG. 1 is a perspective view showing the left side, and the top
and the front of the environment upkeep machine of my new
design;

FIG. 2 is a left side view thereof;

FIG. 3 is a right side view thereof;

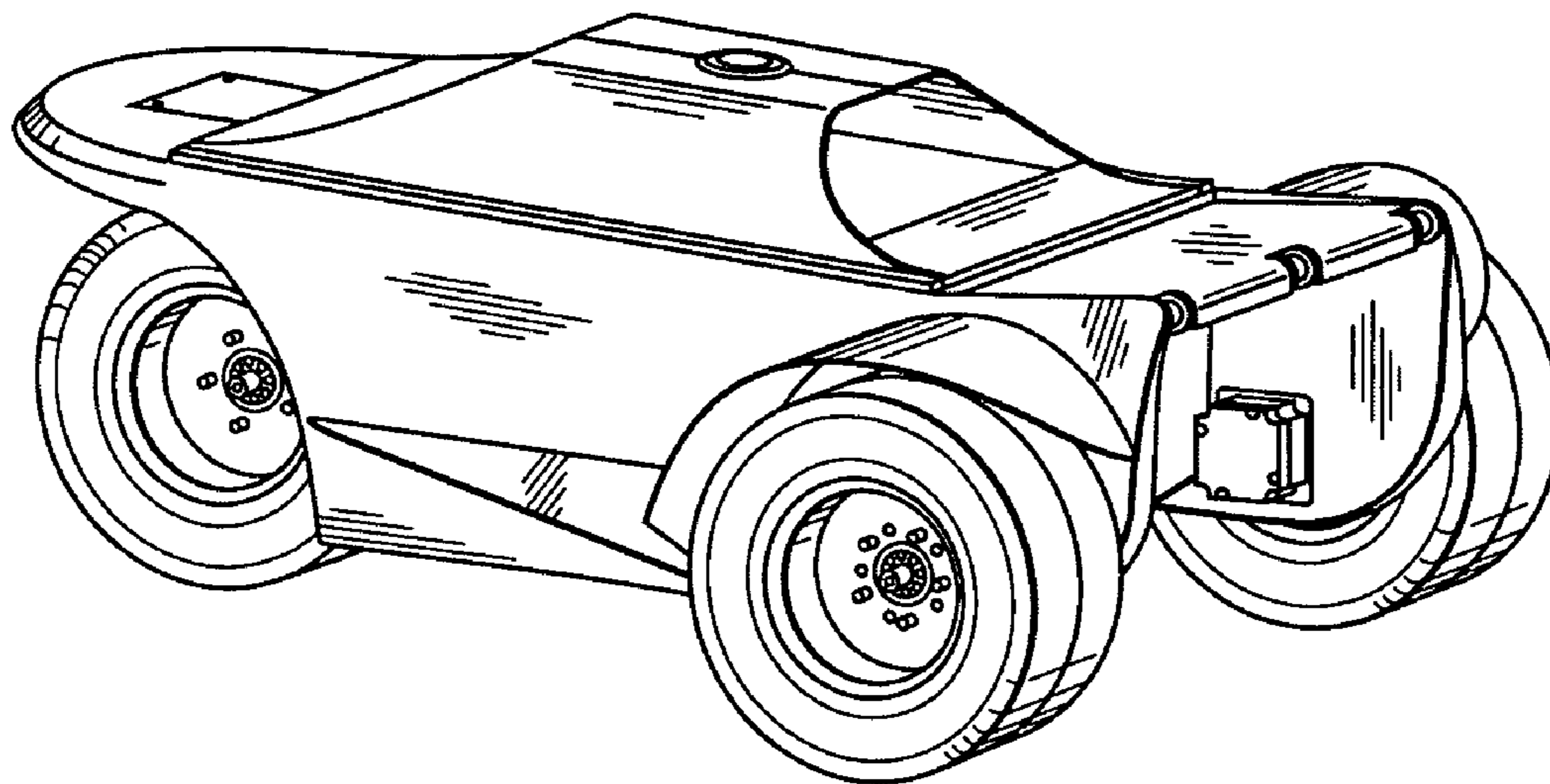
FIG. 4 is a back view thereof;

FIG. 5 is a front view thereof,

FIG. 6 is a top view thereof; and,

FIG. 7 is a bottom view of the claimed design.

1 Claim, 4 Drawing Sheets



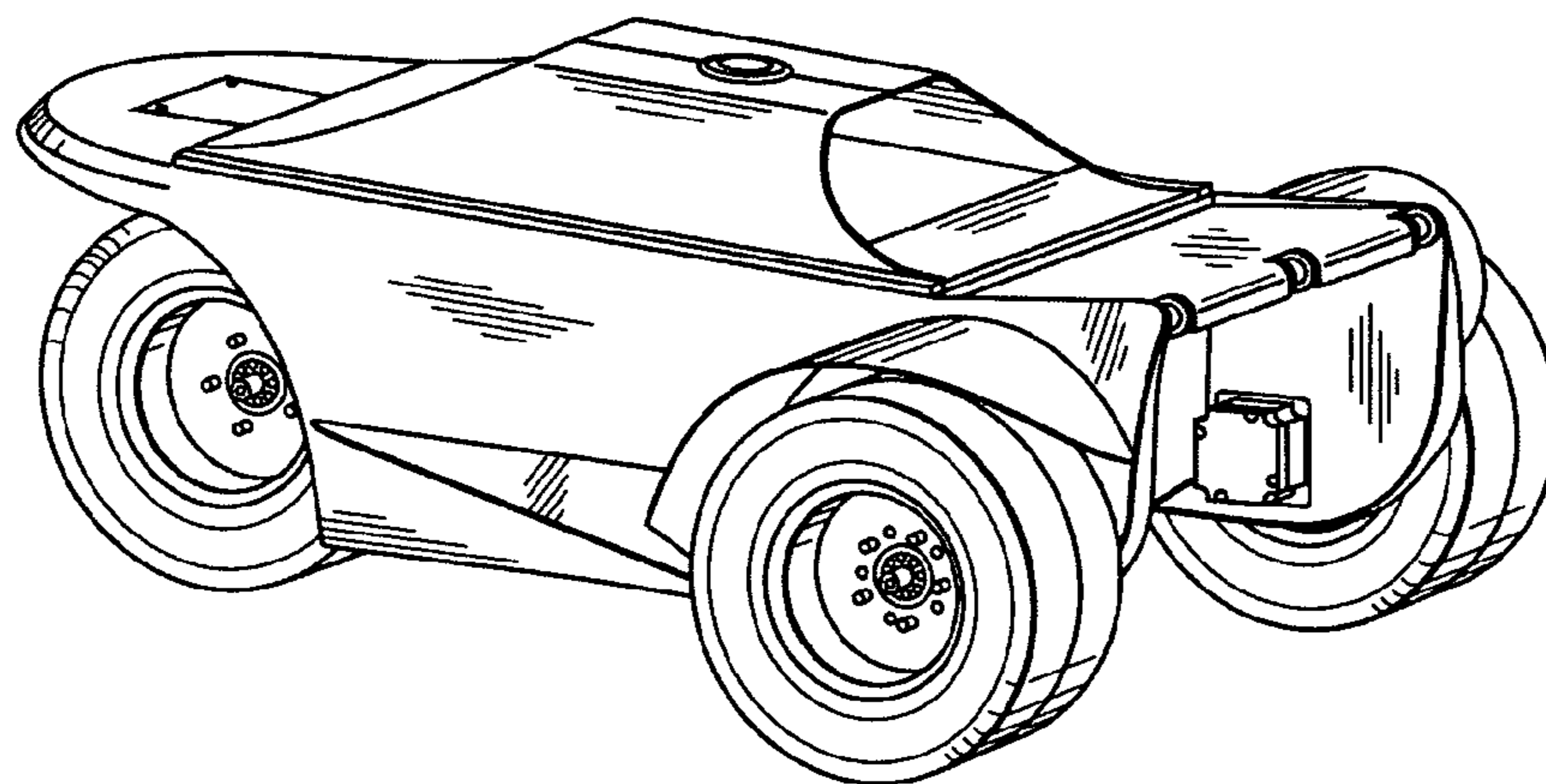


Fig. 1

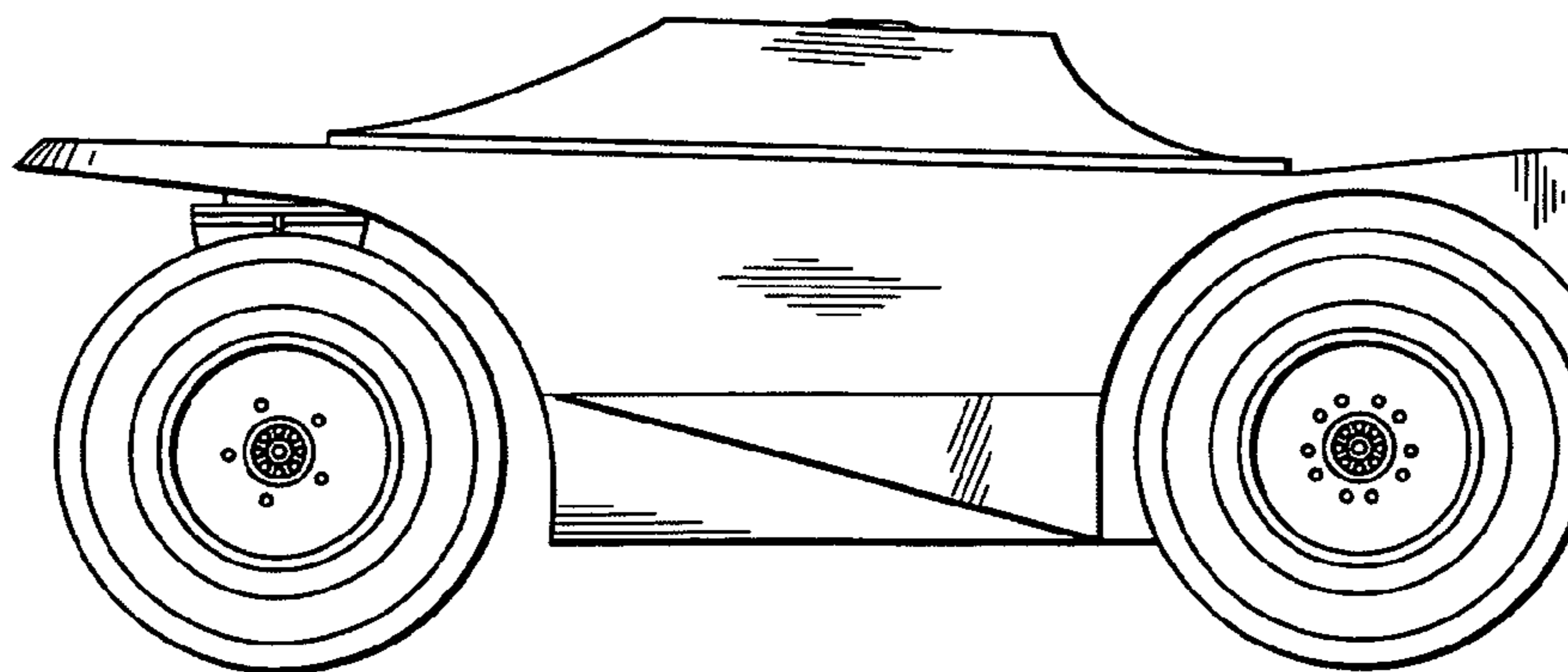


Fig. 2

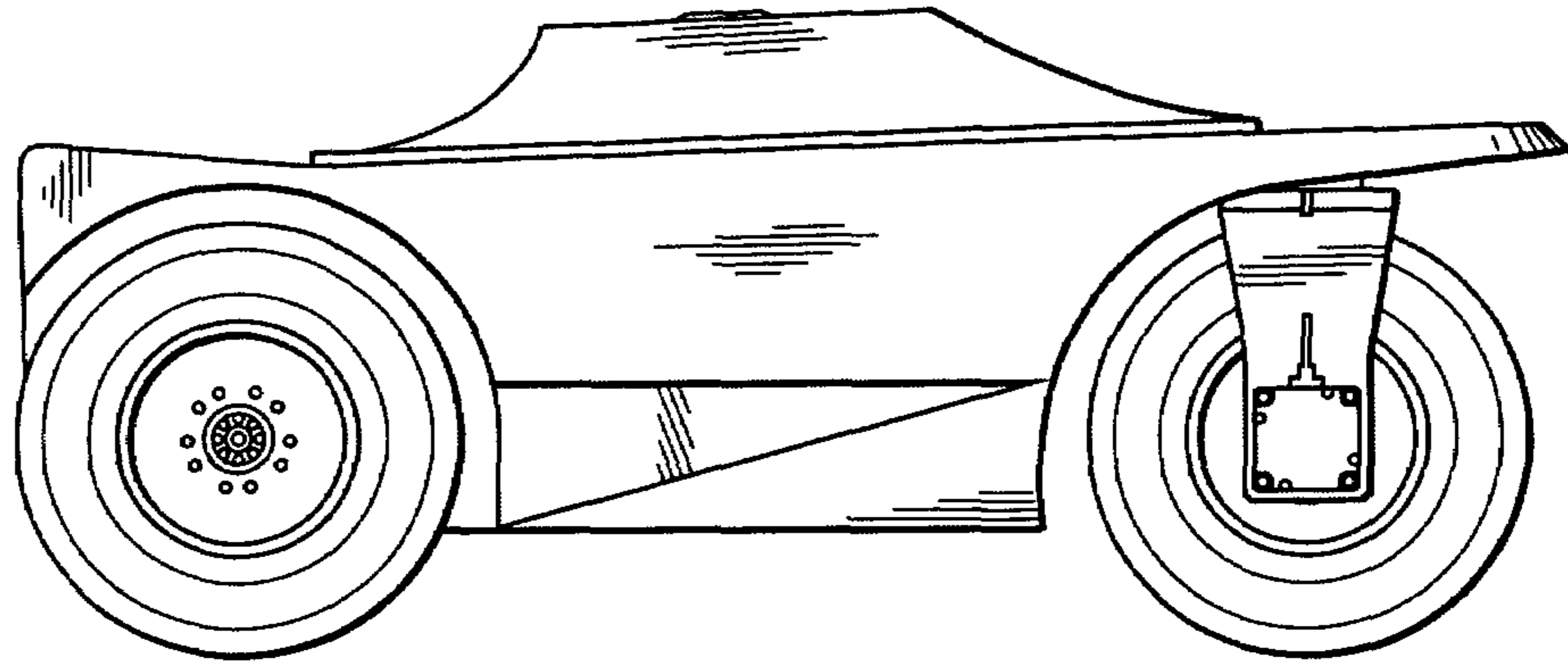


Fig. 3

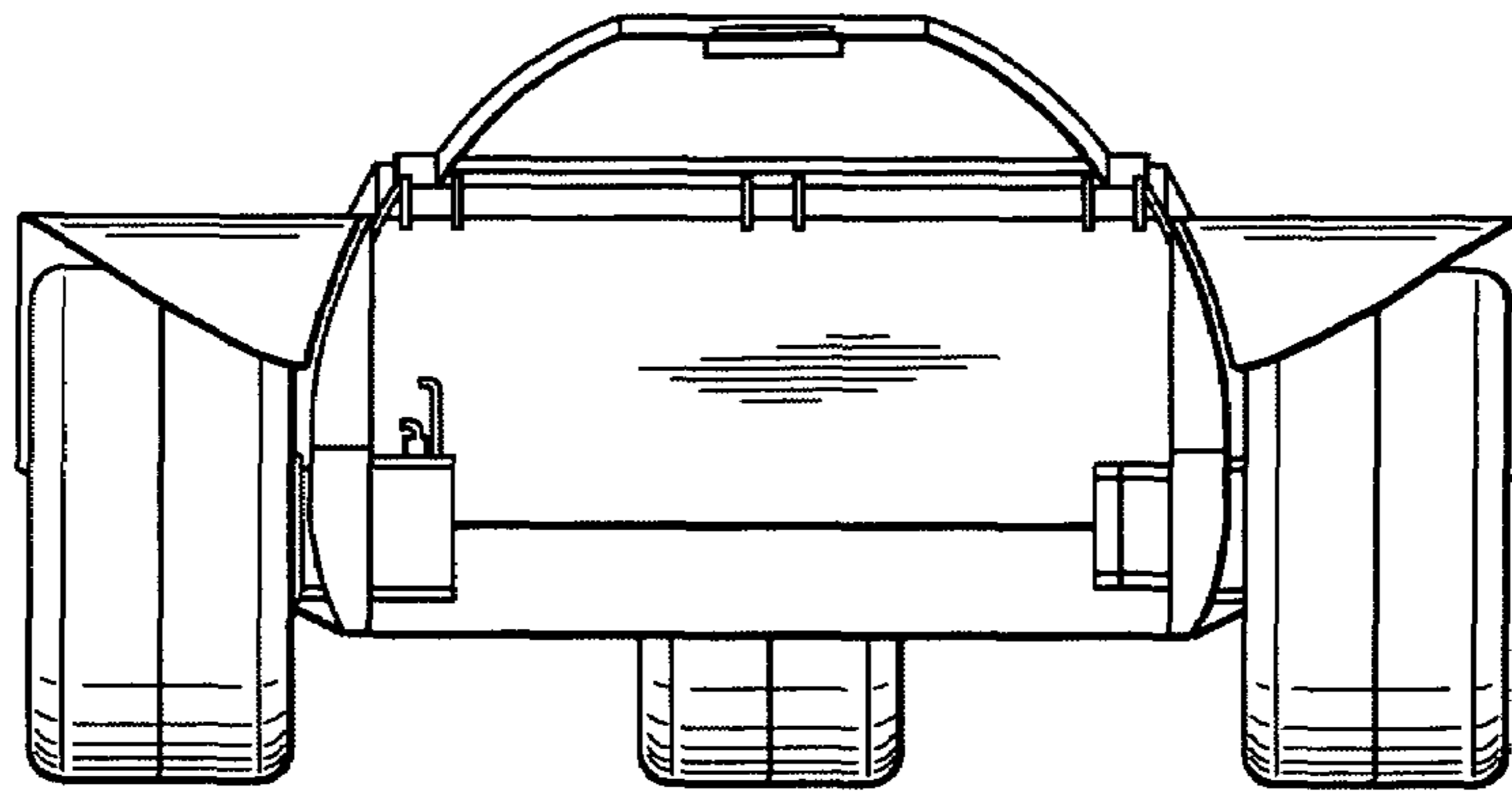


Fig. 4

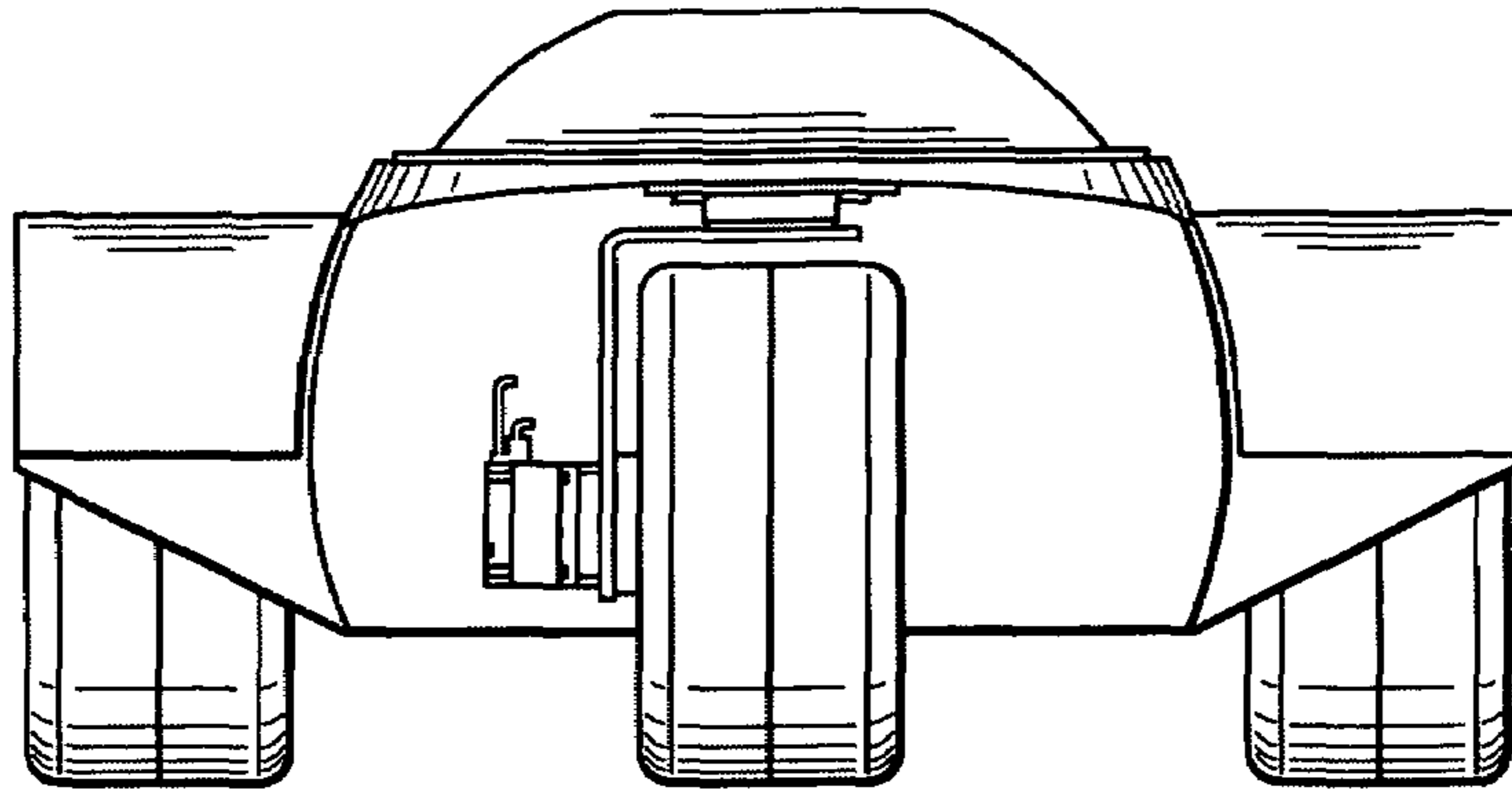


Fig. 5

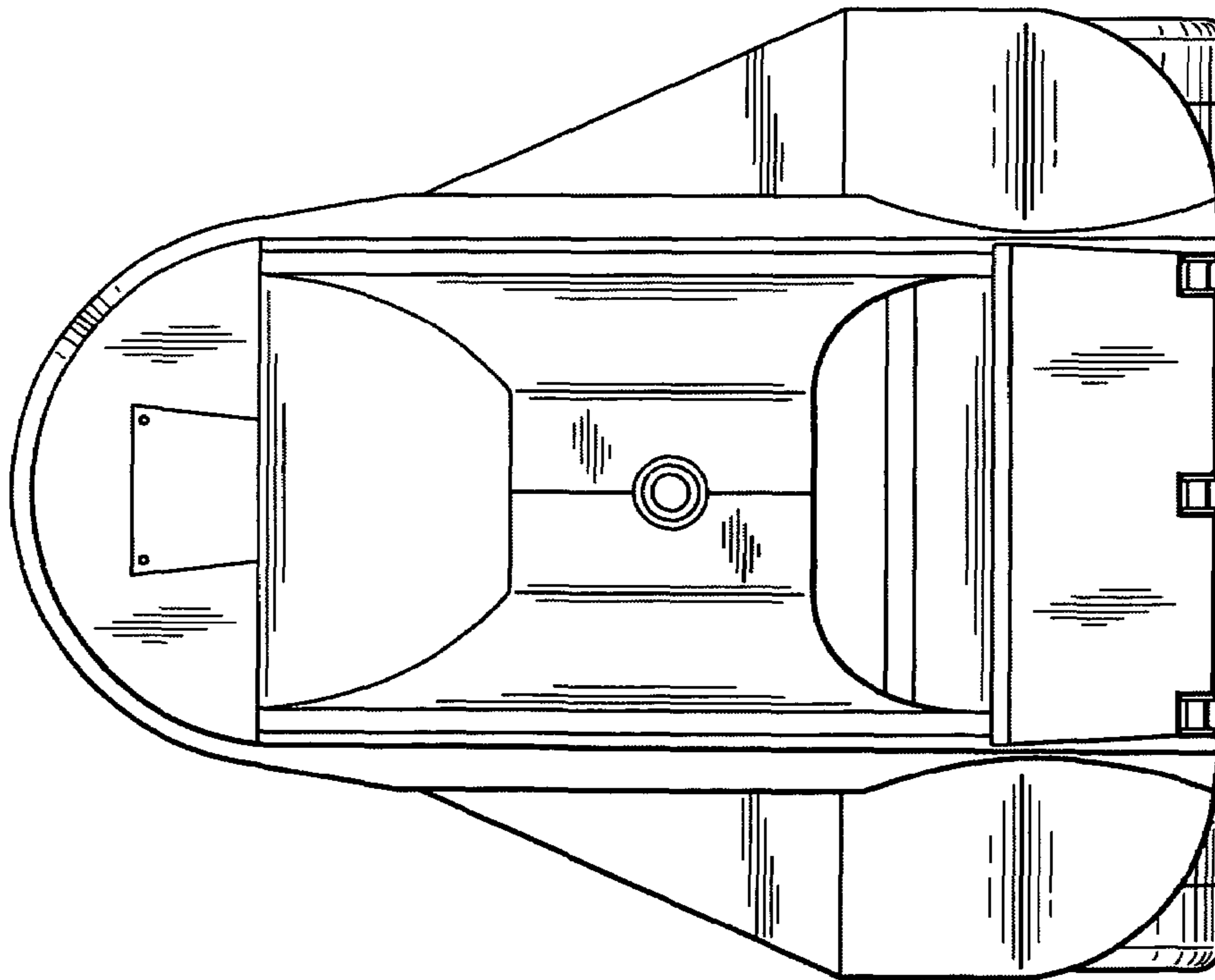


Fig. 6

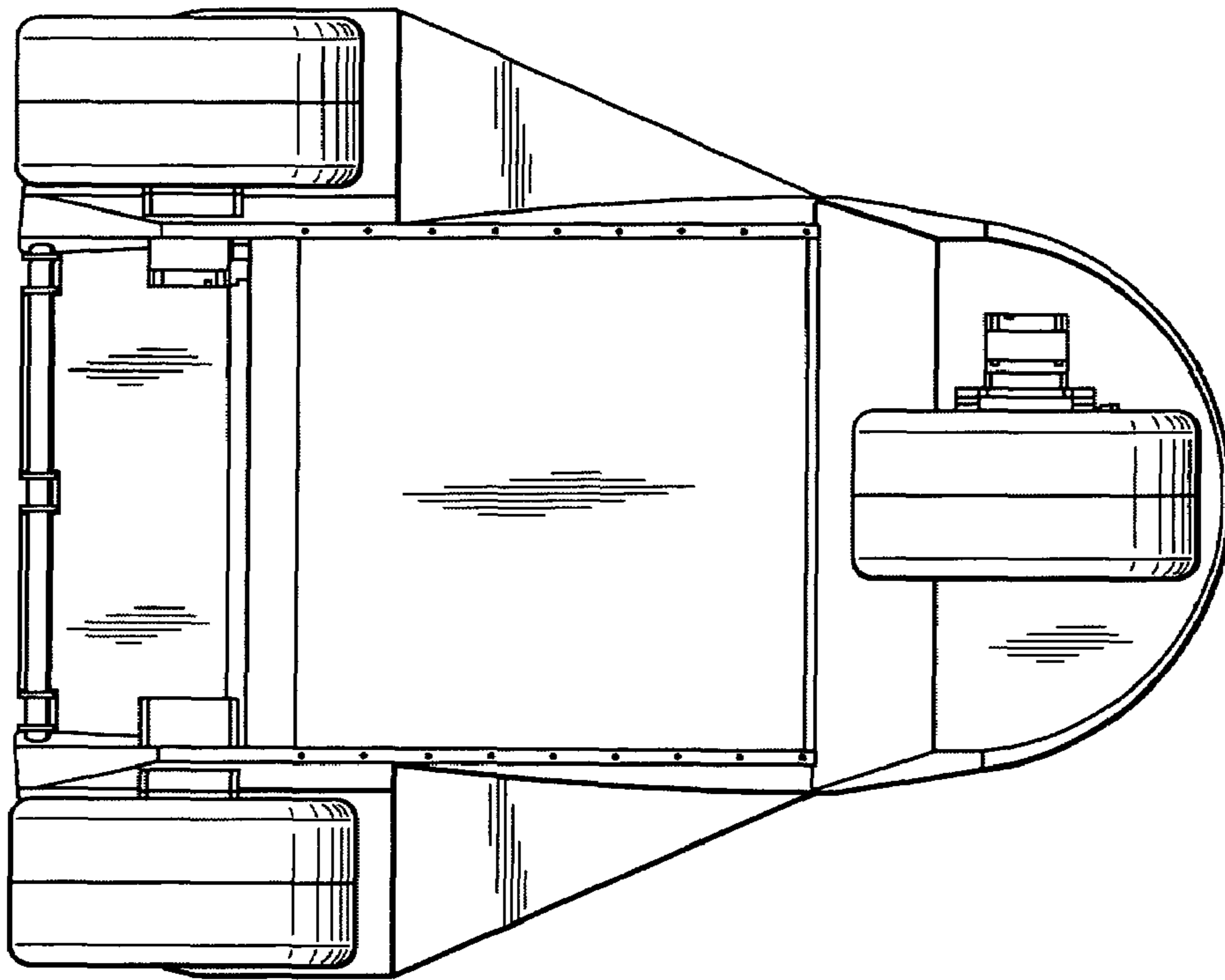


Fig. 3