



US00D574292S

(12) **United States Design Patent**
Jost

(10) **Patent No.:** **US D574,292 S**
(45) **Date of Patent:** **** Aug. 5, 2008**

(54) **DECORATIVE REFLECTIVE SPINNING ORNAMENT**

(76) Inventor: **David E Jost**, 2247 Carleton St., Berkeley, CA (US) 94704

(**) Term: **14 Years**

(21) Appl. No.: **29/272,623**

(22) Filed: **Feb. 12, 2007**

Related U.S. Application Data

(63) Continuation of application No. 11/498,033, filed on Aug. 2, 2006.

(51) **LOC (8) Cl.** **11-02**

(52) **U.S. Cl.** **D11/131**

(58) **Field of Classification Search** D11/131-133, D11/140-142, 125, 157, 164, 184; 428/9, 428/11-16, 7; D10/61; D21/711, 436, 438, D21/441-444, 458, 465, 475-477, 481-482; D20/20-21; 40/440, 313, 411; 116/DIG. 7; 416/227 A, 197 A; 384/100; 446/217

See application file for complete search history.

(56) **References Cited**

U.S. PATENT DOCUMENTS

D63,118 S * 10/1923 Costanz D26/129
1,501,251 A * 7/1924 Thorsell 428/9
D71,462 S * 11/1926 Kahn D11/127
D110,858 S * 8/1938 Egerton D21/458
D117,789 S * 11/1939 Kranz D11/121
D183,351 S * 8/1958 Thorsell D11/125
4,053,156 A * 10/1977 Bai 473/573
D249,580 S * 9/1978 Hill D26/102
4,581,299 A * 4/1986 Jager 428/542.8
4,596,726 A * 6/1986 Wrzalinski 428/11
4,637,941 A * 1/1987 Rochte 428/8
D304,164 S * 10/1989 Rochte D11/131
D330,223 S * 10/1992 Crum D20/21
5,547,718 A * 8/1996 Shapiro 428/13
6,015,598 A * 1/2000 Del Rio-Sandoval 428/7

6,042,903 A * 3/2000 Yedlin et al. 428/7
6,135,617 A * 10/2000 Lai 362/249
6,524,849 B1 * 2/2003 Adams et al. 435/299.1
6,579,578 B1 * 6/2003 Lai 428/12
D497,833 S * 11/2004 Lach D11/131
D547,695 S * 7/2007 Lach D11/141
2007/0071916 A1 * 3/2007 Chun 428/11

* cited by examiner

Primary Examiner—Robert M. Spear

Assistant Examiner—Susan E Krakower

(74) *Attorney, Agent, or Firm*—Cascio Schmoyer & Zeruas

(57) **CLAIM**

The ornamental design for a decorative reflective spinning ornament, as shown and described.

DESCRIPTION

FIG. 1 is a side elevational view of the decorative reflective spinning ornament showing my design, the opposite side elevational view being a mirror image;

FIG. 2 is a top plan view thereof;

FIG. 3 is a bottom plan view thereof;

FIG. 4 is a perspective view thereof;

FIG. 5 is a side elevational view of a second embodiment thereof, the opposite side elevational view being a mirror image;

FIG. 6 is a top plan view of a second embodiment thereof;

FIG. 7 is a bottom plan view of a second embodiment thereof;

FIG. 8 is a perspective view of a second embodiment thereof;

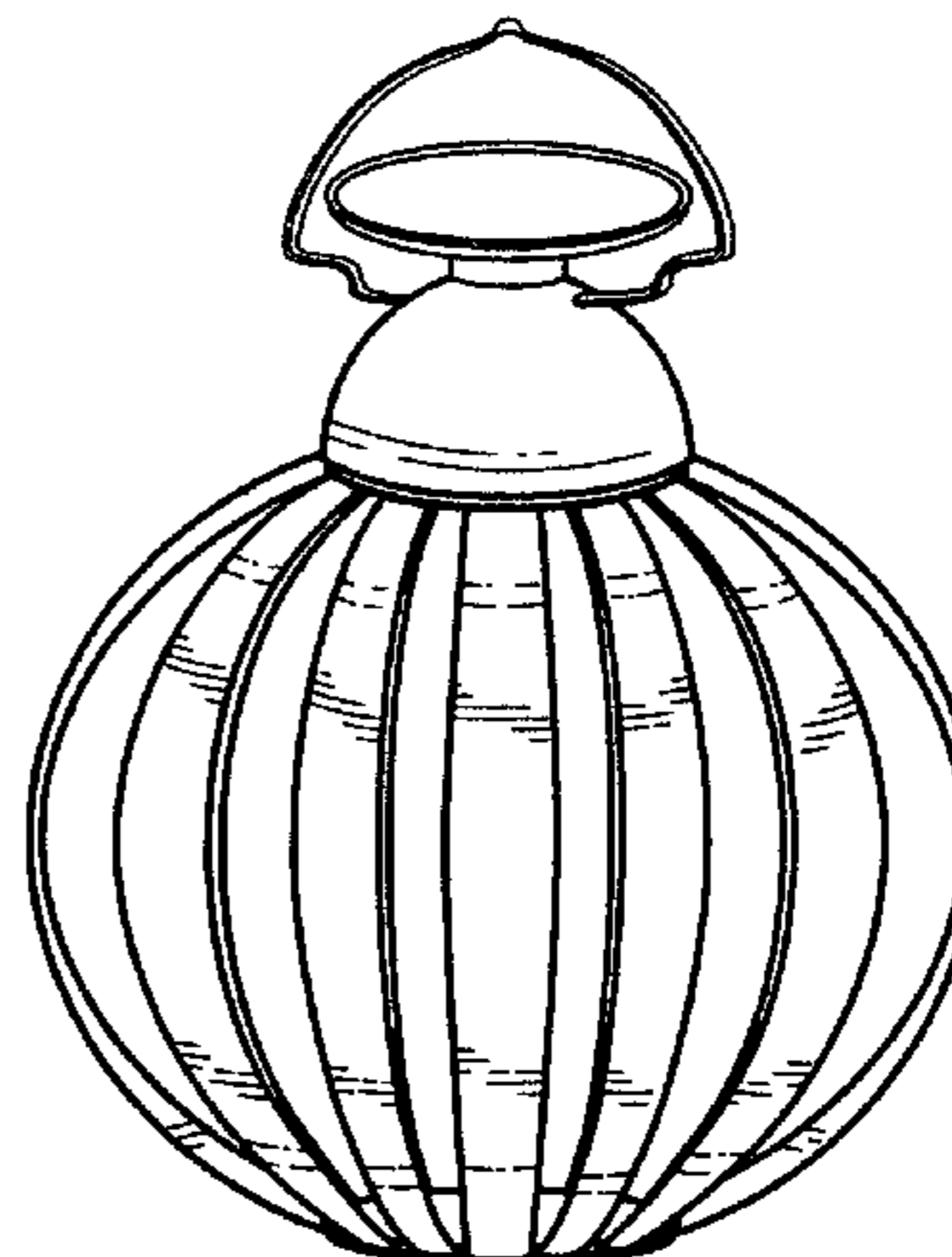
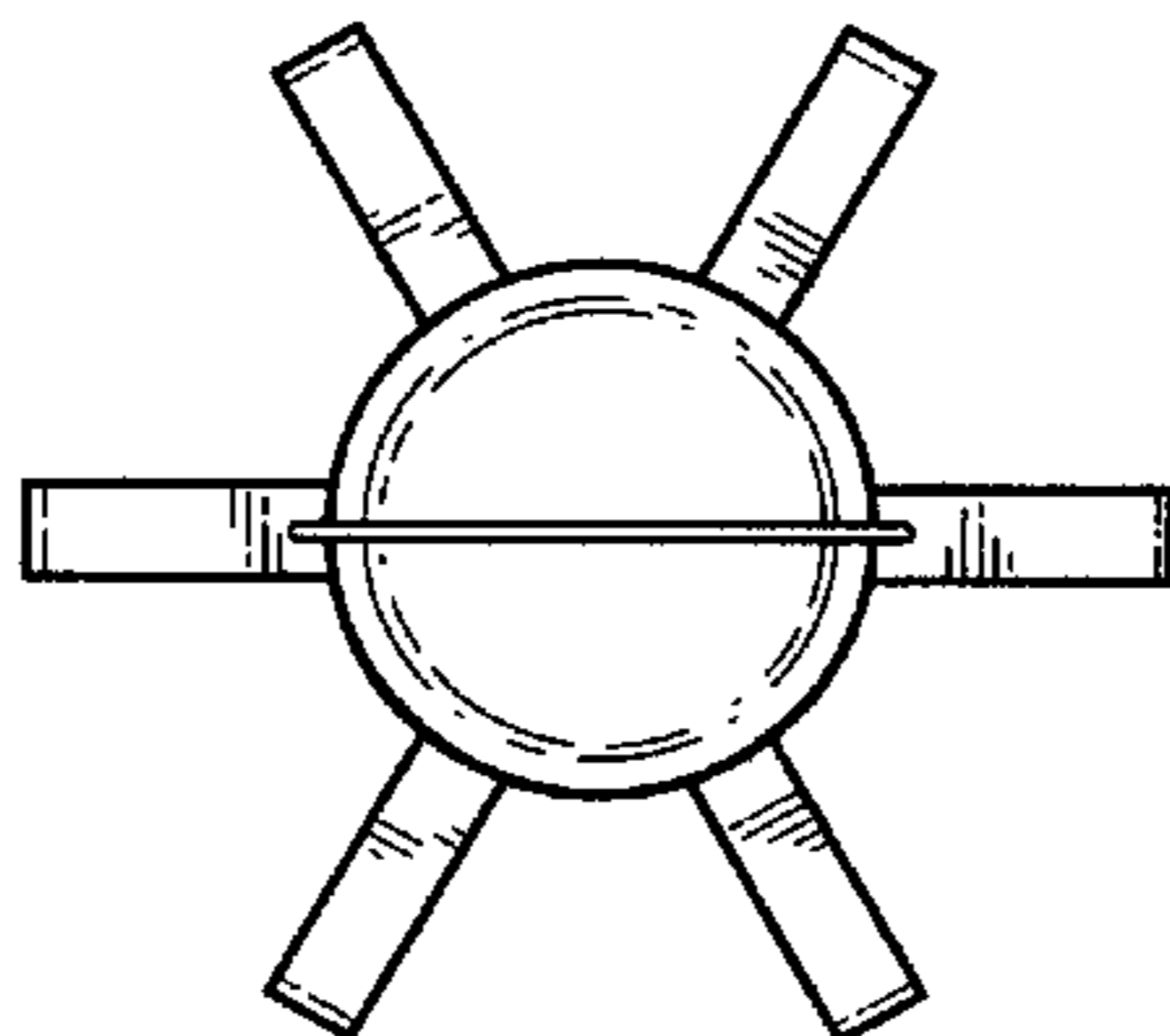
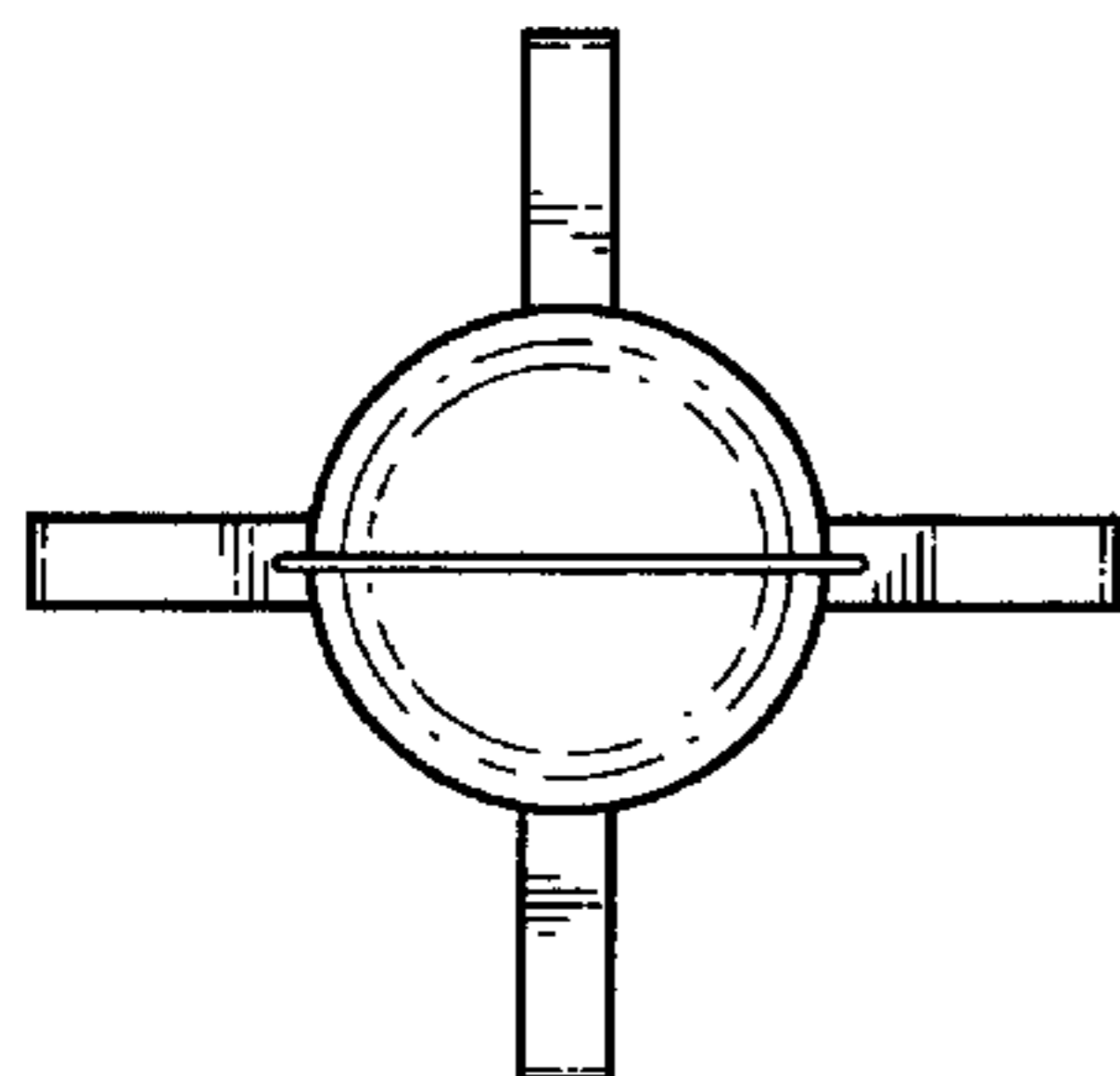
FIG. 9 is a side elevational view of a third embodiment thereof, the opposite side elevational view being a mirror image;

FIG. 10 is a top plan view of a third embodiment thereof;

FIG. 11 is a bottom plan view of a third embodiment thereof; and,

FIG. 12 is a perspective view of a third embodiment thereof.

1 Claim, 3 Drawing Sheets



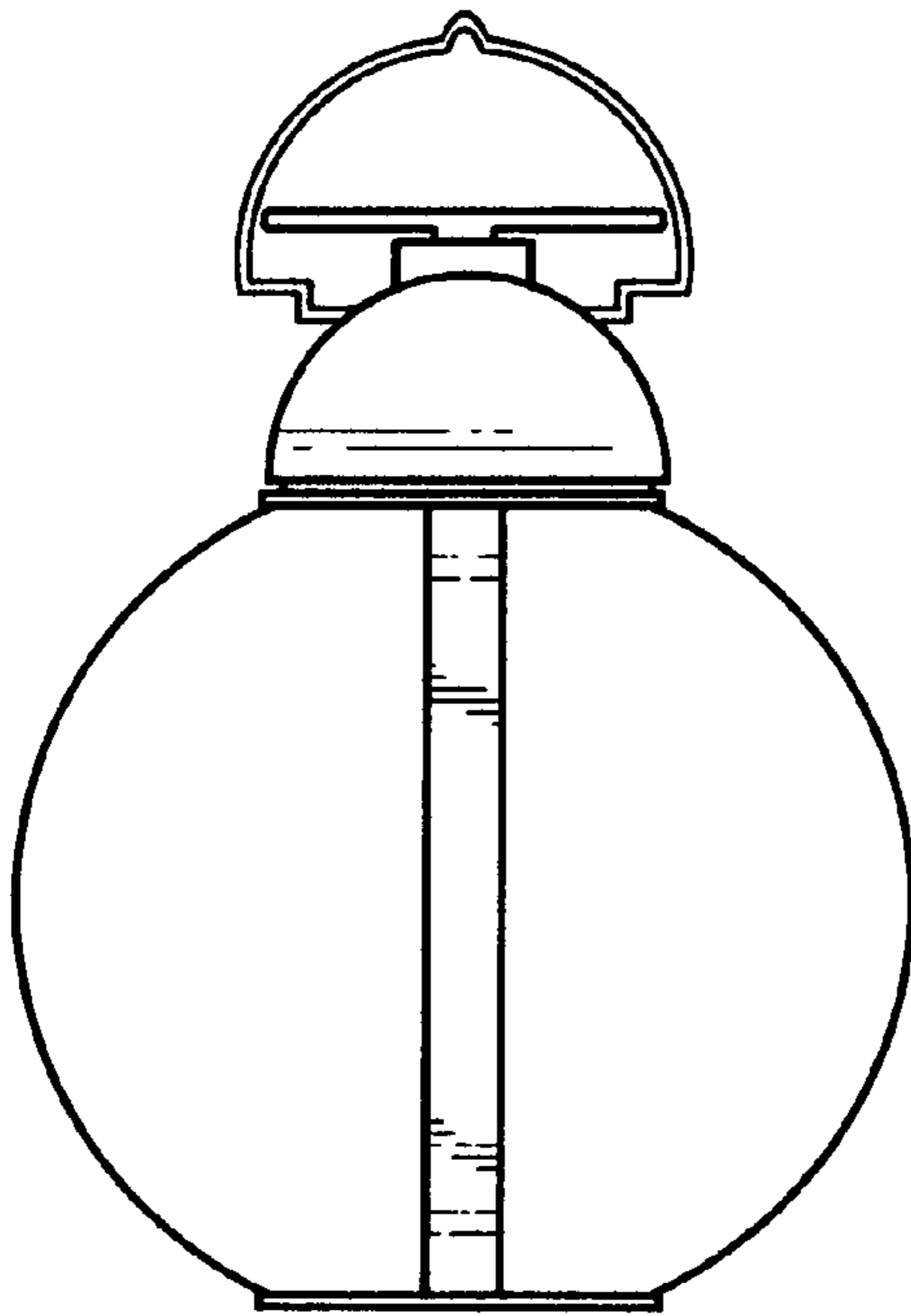


FIG. 1

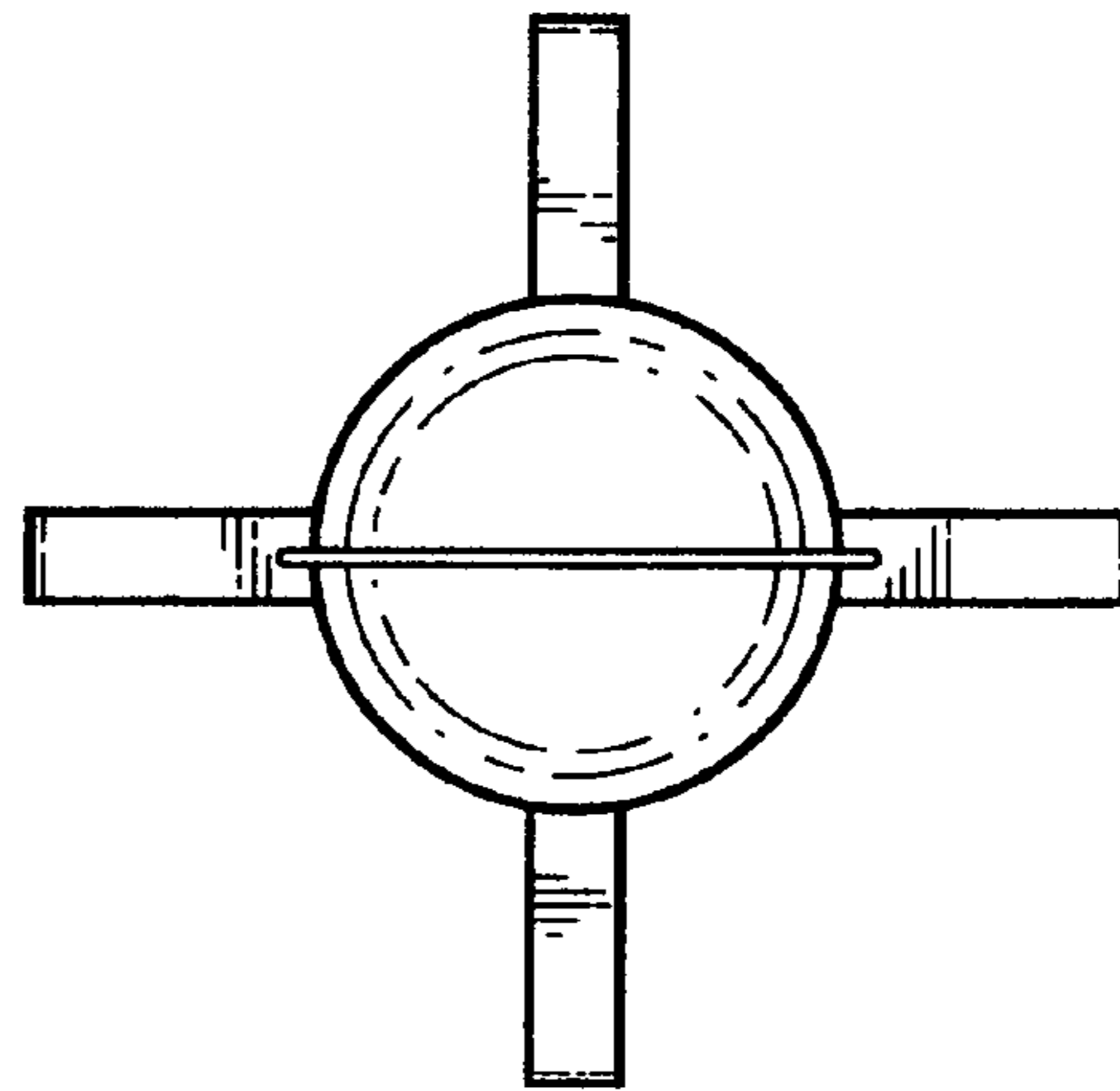


FIG. 2

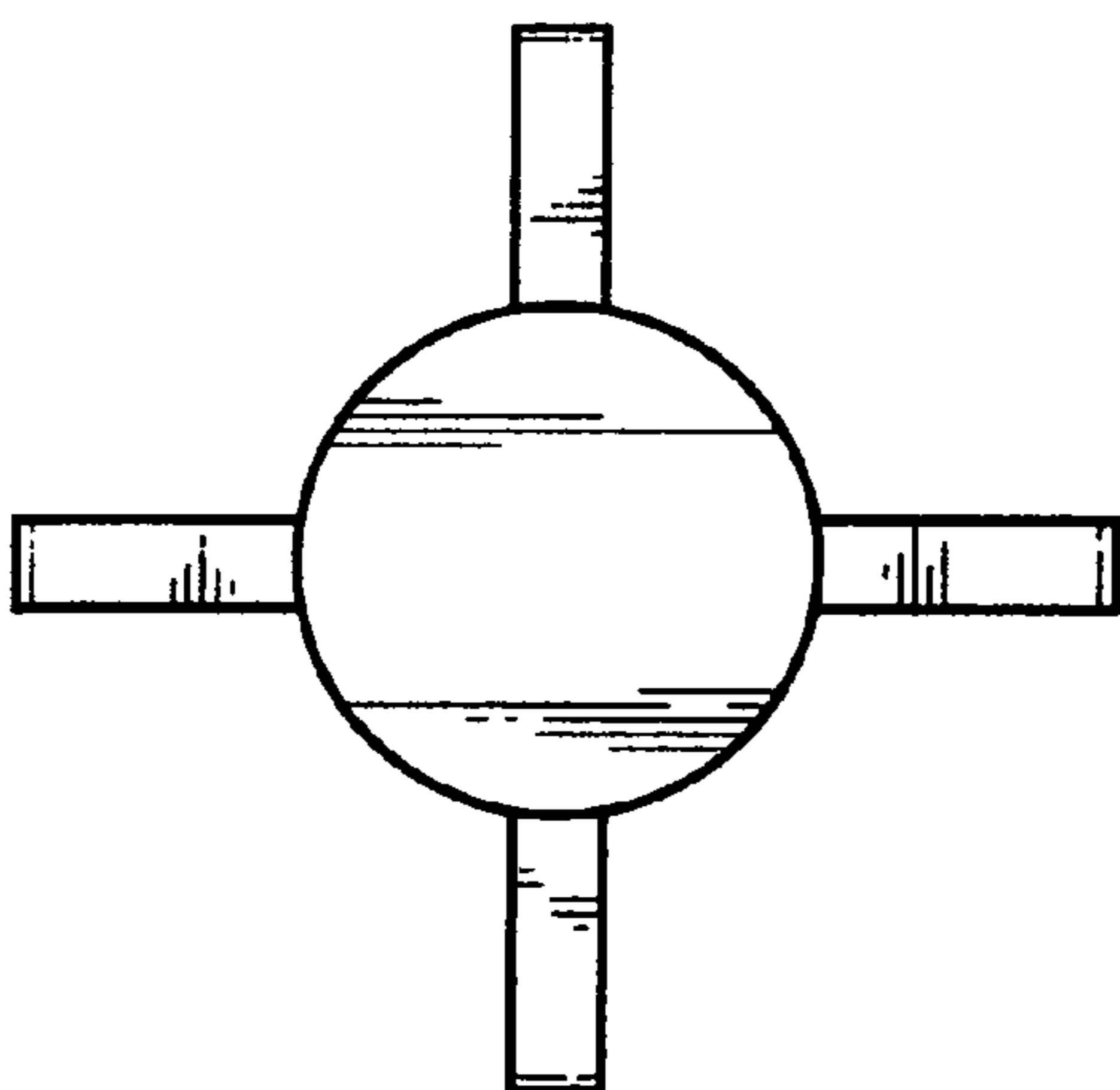


FIG. 3

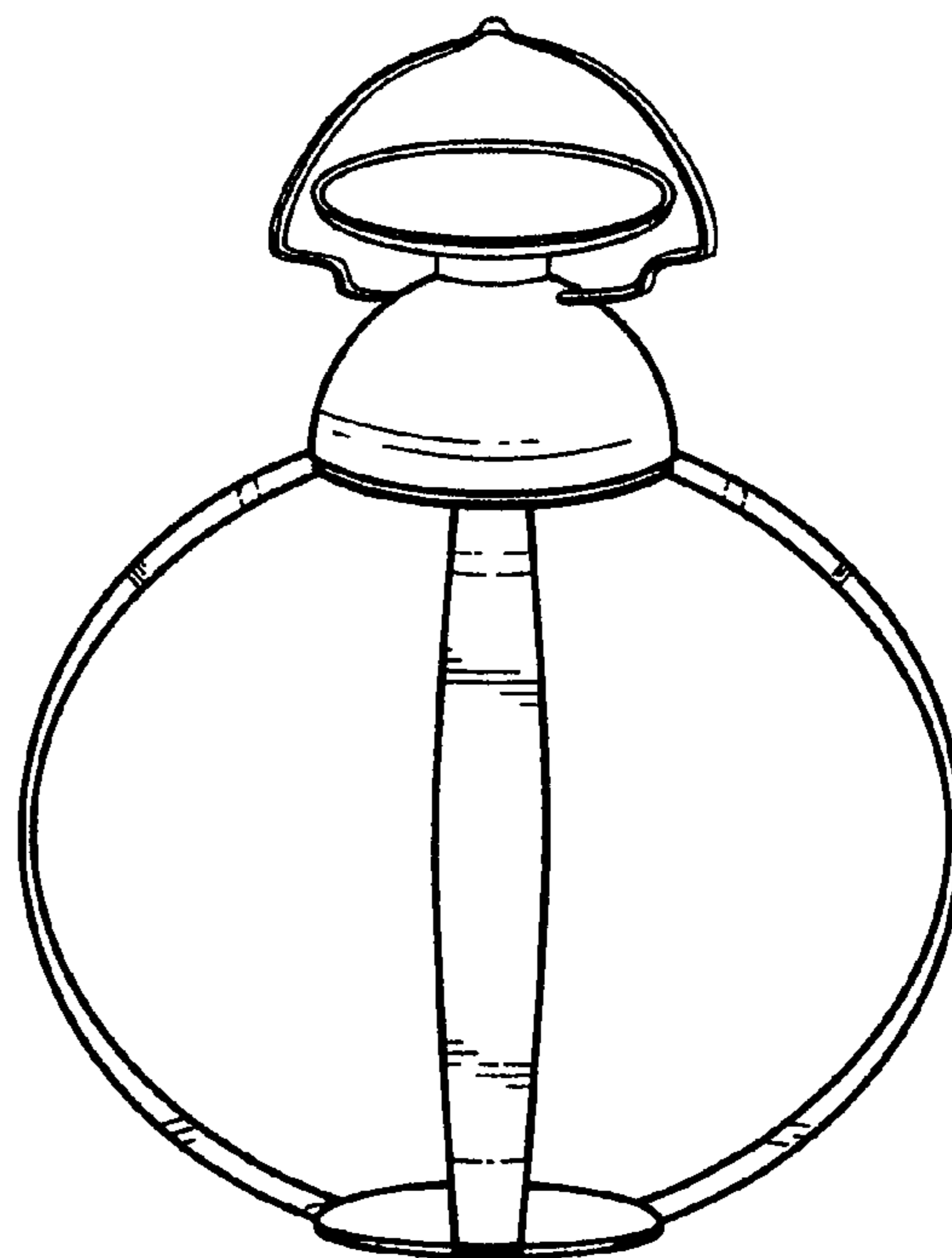


FIG. 4

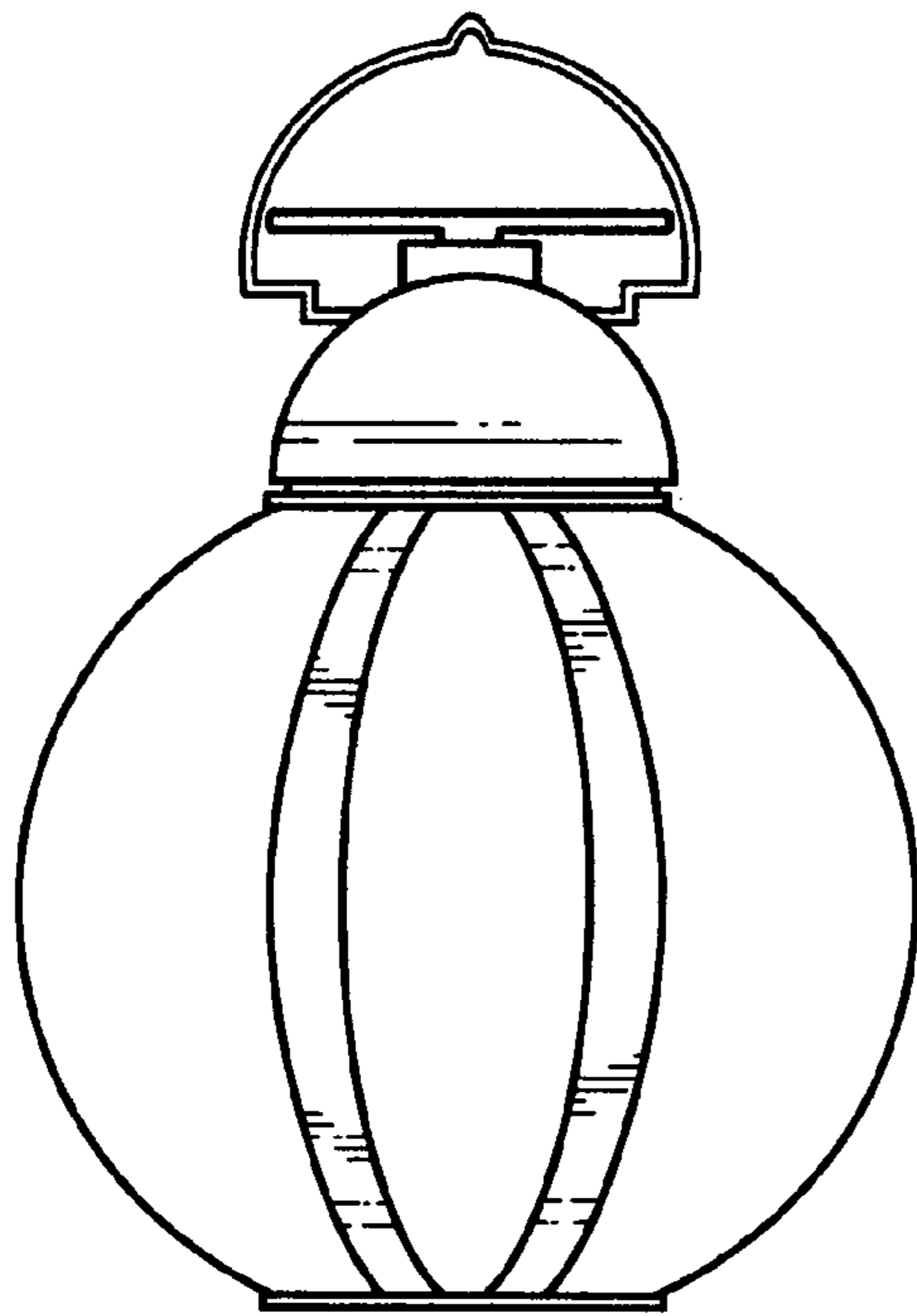


FIG. 5

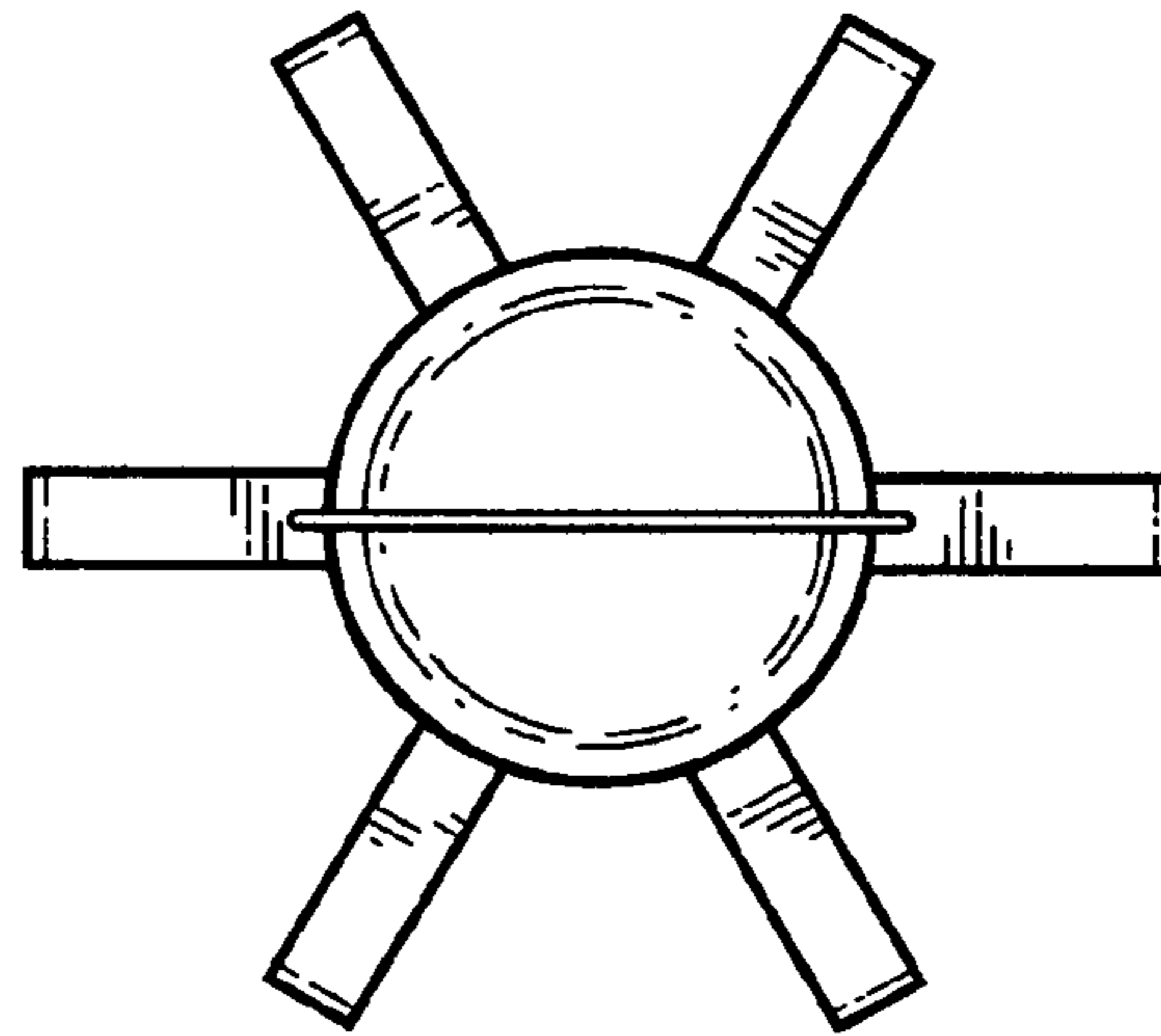


FIG. 6

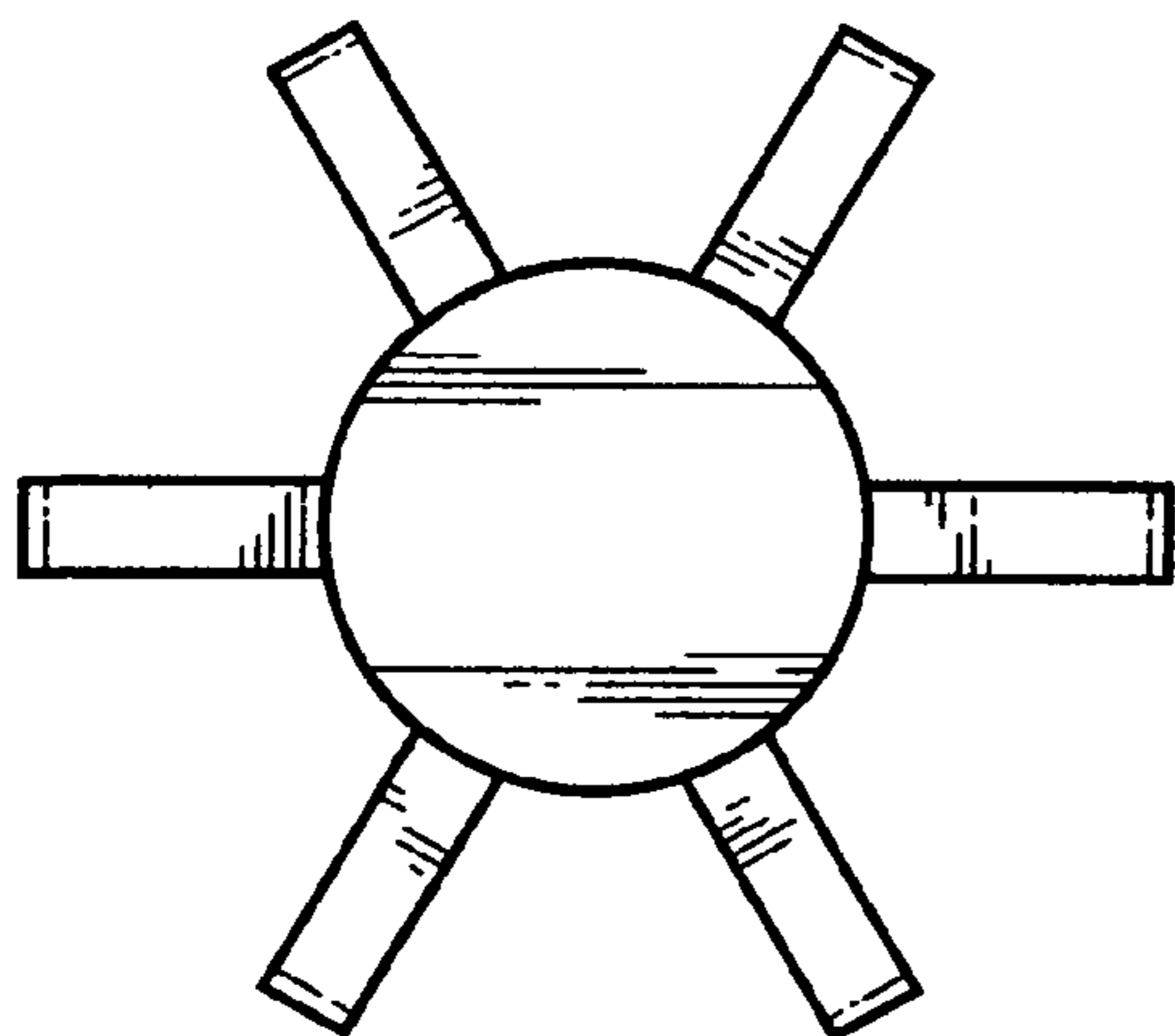


FIG. 7

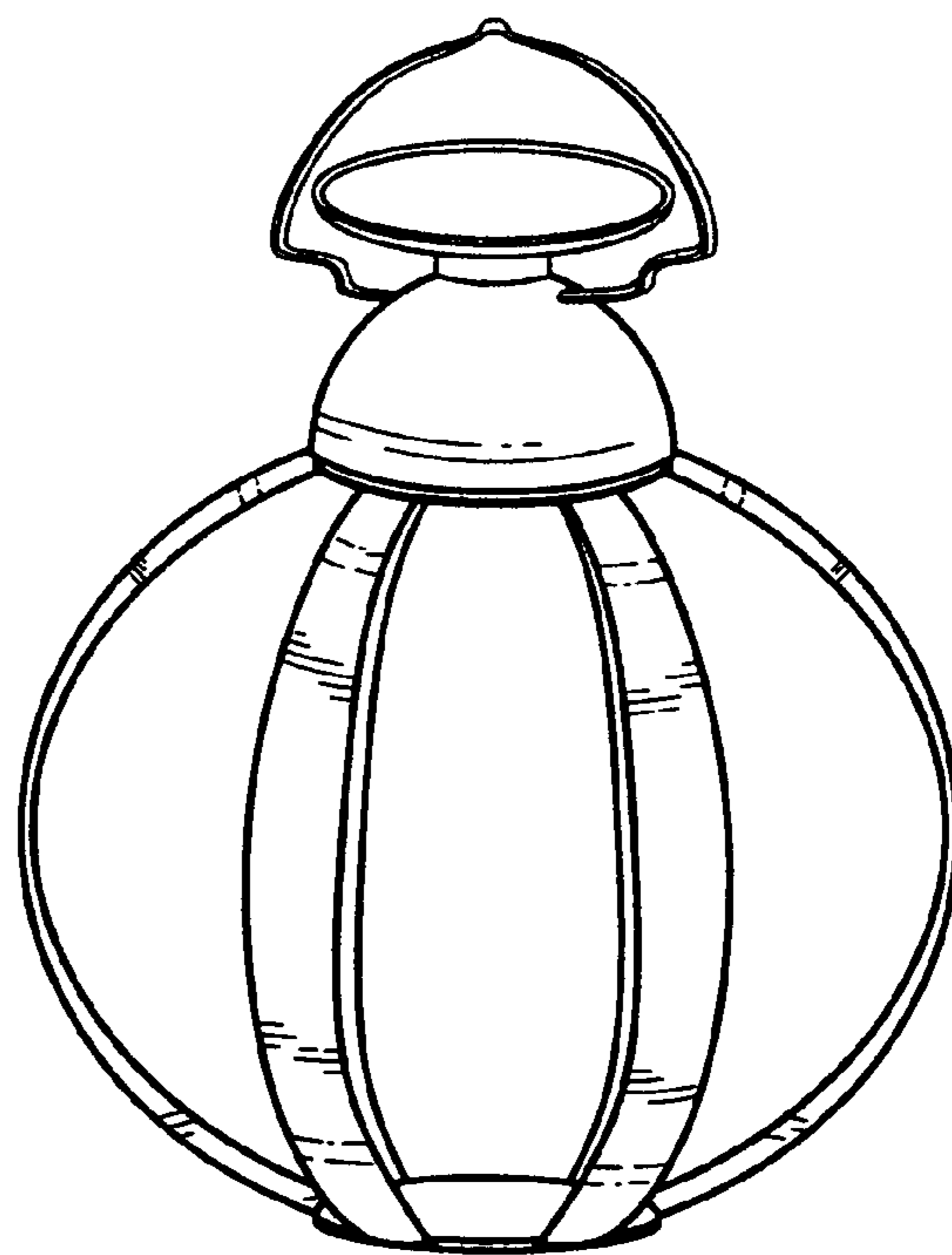


FIG. 8

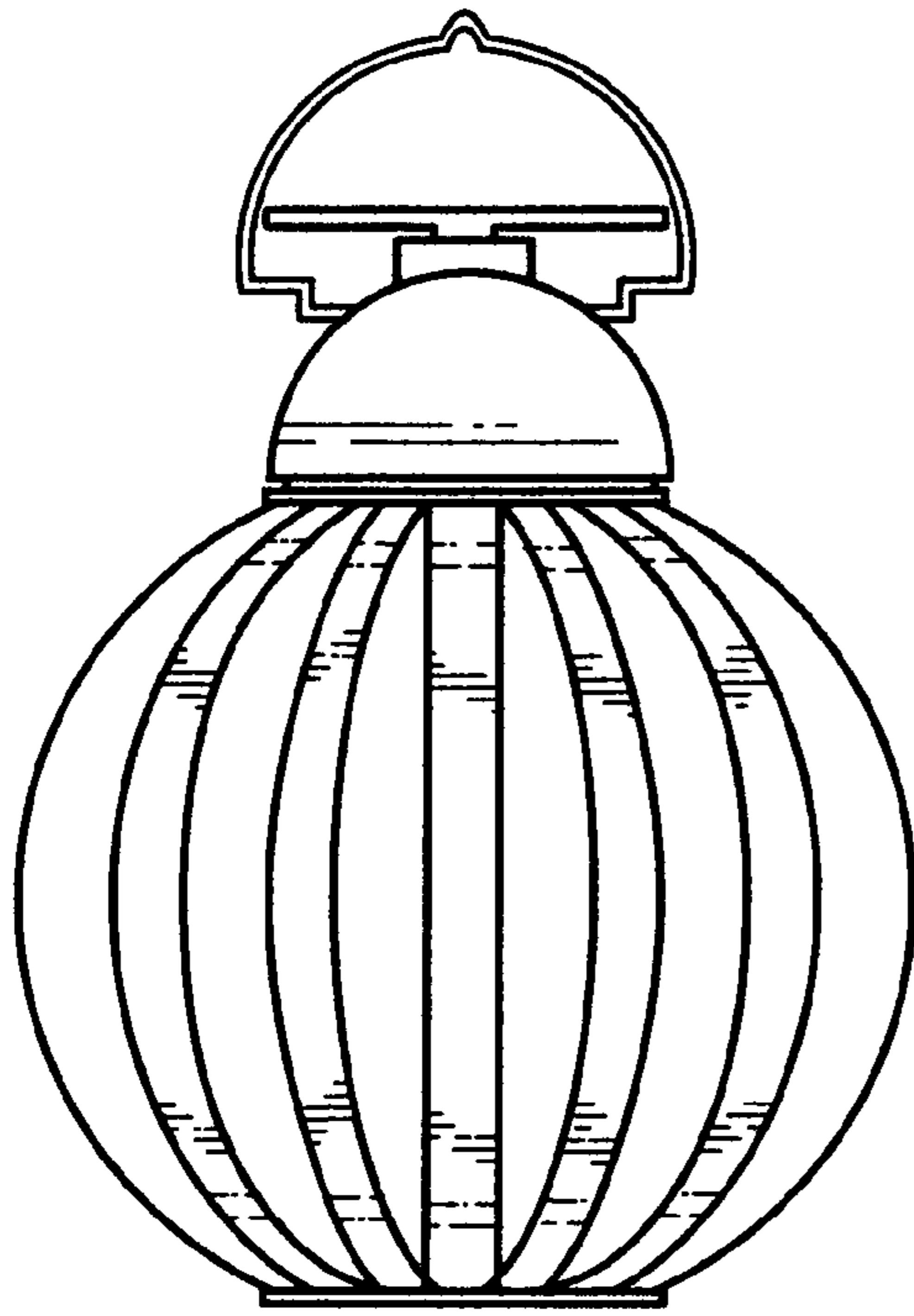


FIG. 9

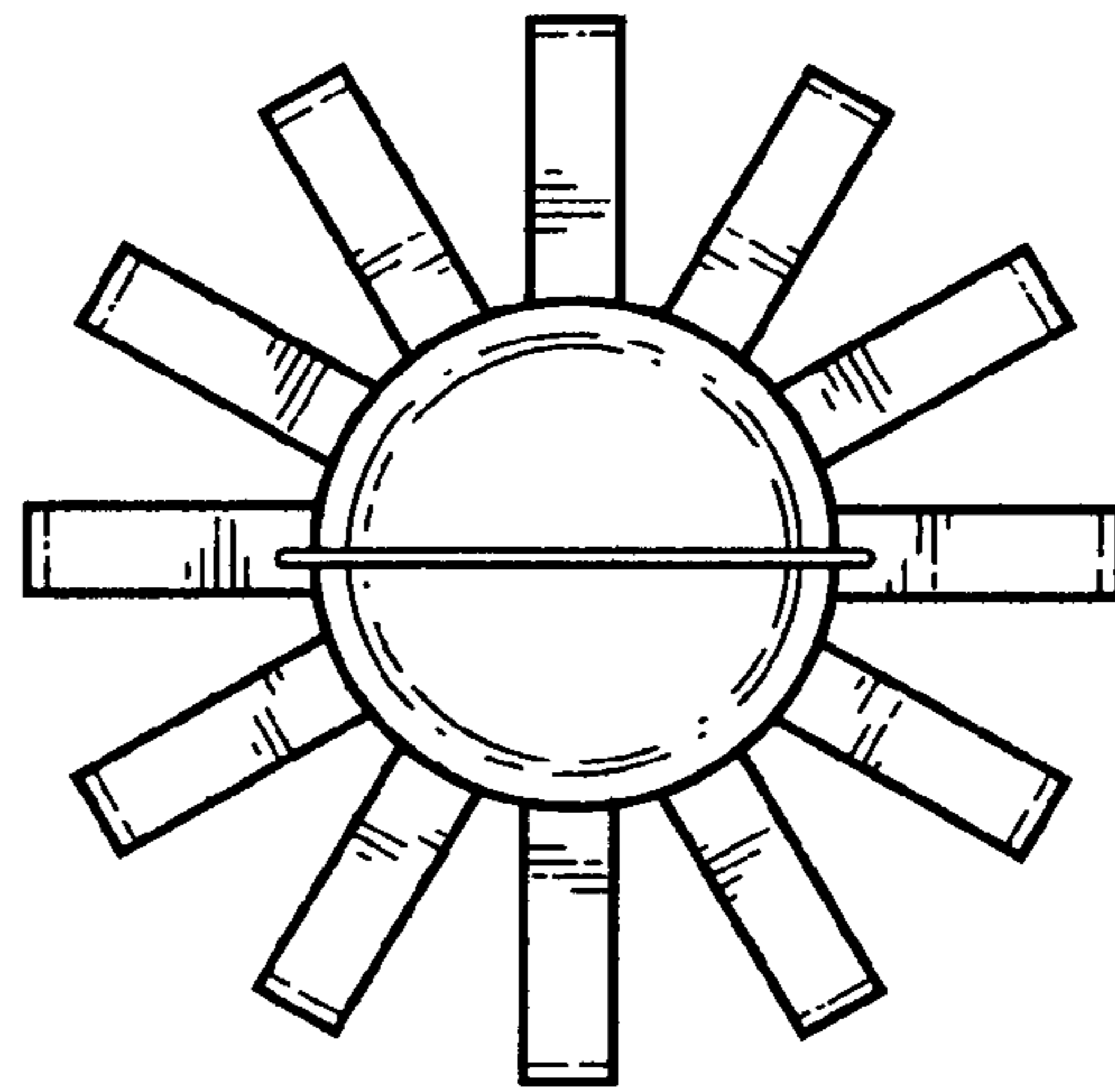


FIG. 10

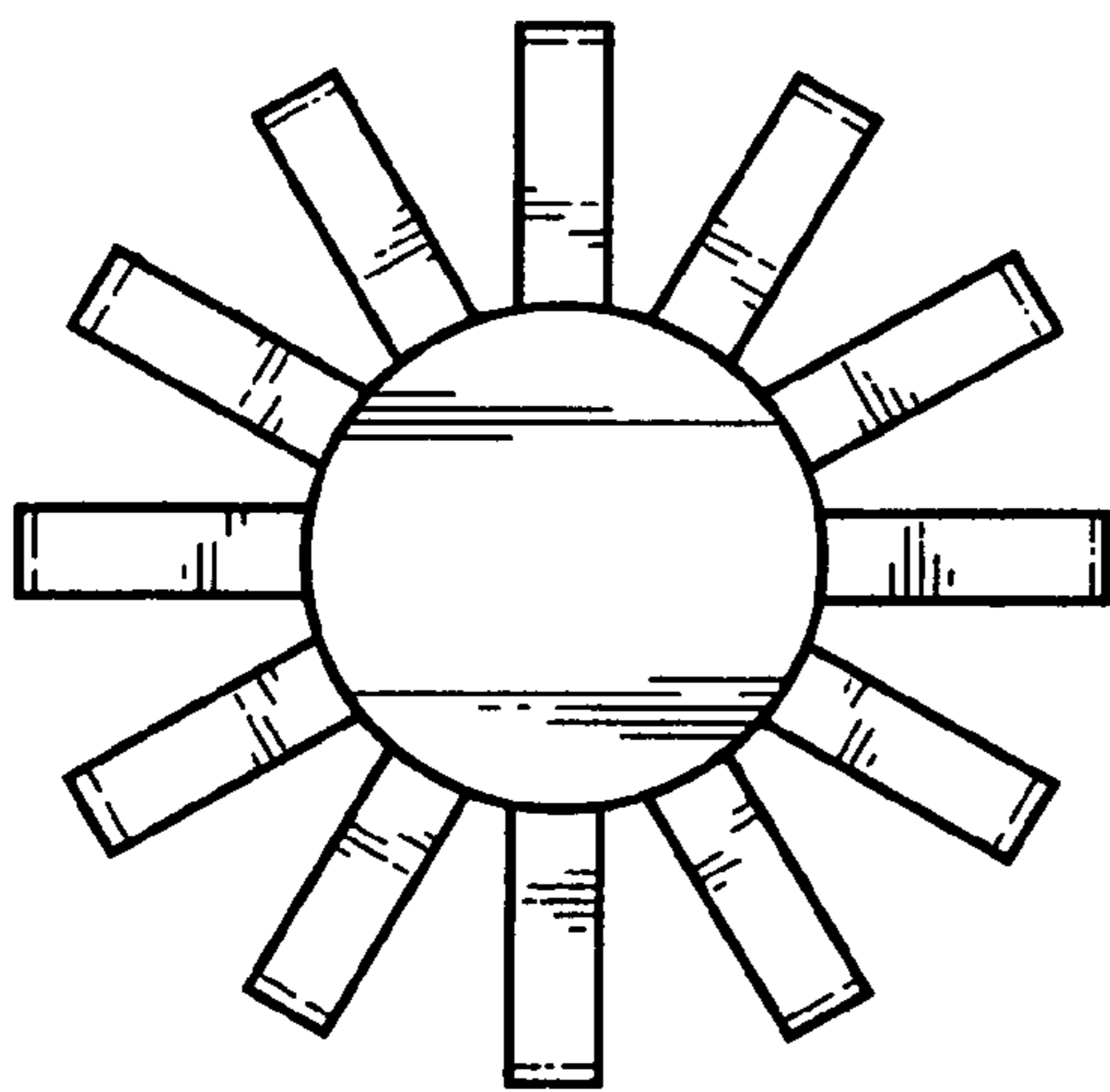


FIG. 11

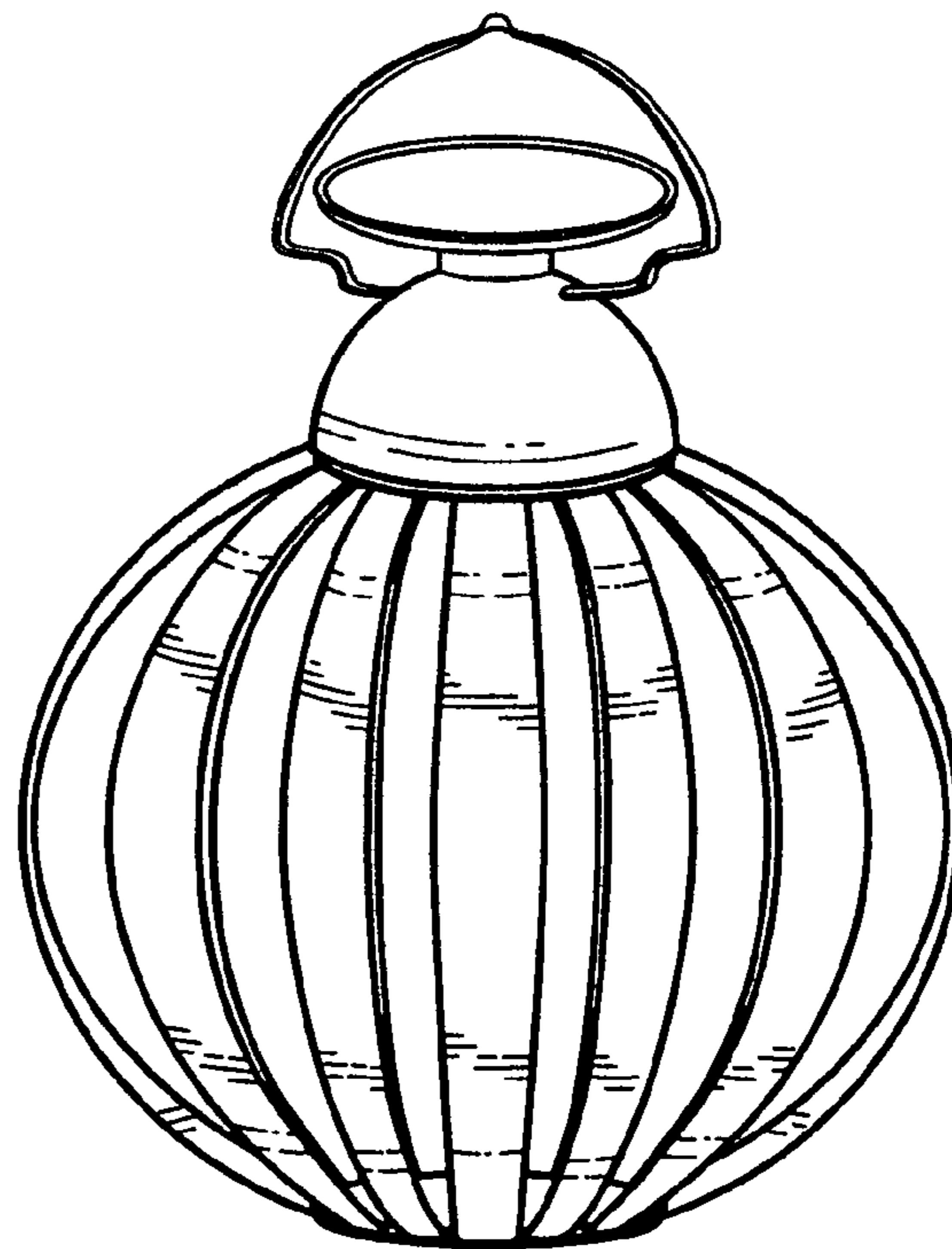


FIG. 12