



US00D574288S

(12) **United States Design Patent**
Peled et al.

(10) **Patent No.:** **US D574,288 S**

(45) **Date of Patent:** **** Aug. 5, 2008**

(54) **PRECIOUS STONE**

(75) Inventors: **Shraga Peled**, Ramat Gan (IL); **Efraim Aloof**, 16 Zalman Shazar Street, 42493 Netanya (IL)

(73) Assignees: **Peled Diamonds, Ltd.**, Ramat Gan (IL); **Efraim Aloof**, Netanya (IL)

(**) Term: **14 Years**

(21) Appl. No.: **29/277,435**

(22) Filed: **Feb. 26, 2007**

(51) **LOC (8) Cl.** **11-01**

(52) **U.S. Cl.** **D11/90**

(58) **Field of Classification Search** D11/1-2,
D11/26-29, 89-92; 63/26-28, 32
See application file for complete search history.

(56) **References Cited**

U.S. PATENT DOCUMENTS

D262,200 S * 12/1981 Kirwan D11/90
D276,143 S * 10/1984 Williams D11/121
D372,883 S * 8/1996 Adler D11/89
D373,971 S * 9/1996 Katz D11/90

D384,593 S * 10/1997 Katz D11/90
D392,590 S * 3/1998 Bachar D11/90
D402,913 S * 12/1998 Katz D11/90
D462,634 S * 9/2002 Cohen D11/90
D465,431 S * 11/2002 Kanner D11/90
D501,423 S * 2/2005 Tolkowsky D11/90

* cited by examiner

Primary Examiner—R. Seifert

(74) *Attorney, Agent, or Firm*—Fennemore Craig, P.C.

(57) **CLAIM**

The ornamental design for a precious stone, as shown and described.

DESCRIPTION

FIG. 1 is top plan view of a precious stone showing my new design;

FIG. 2 is a bottom plan view;

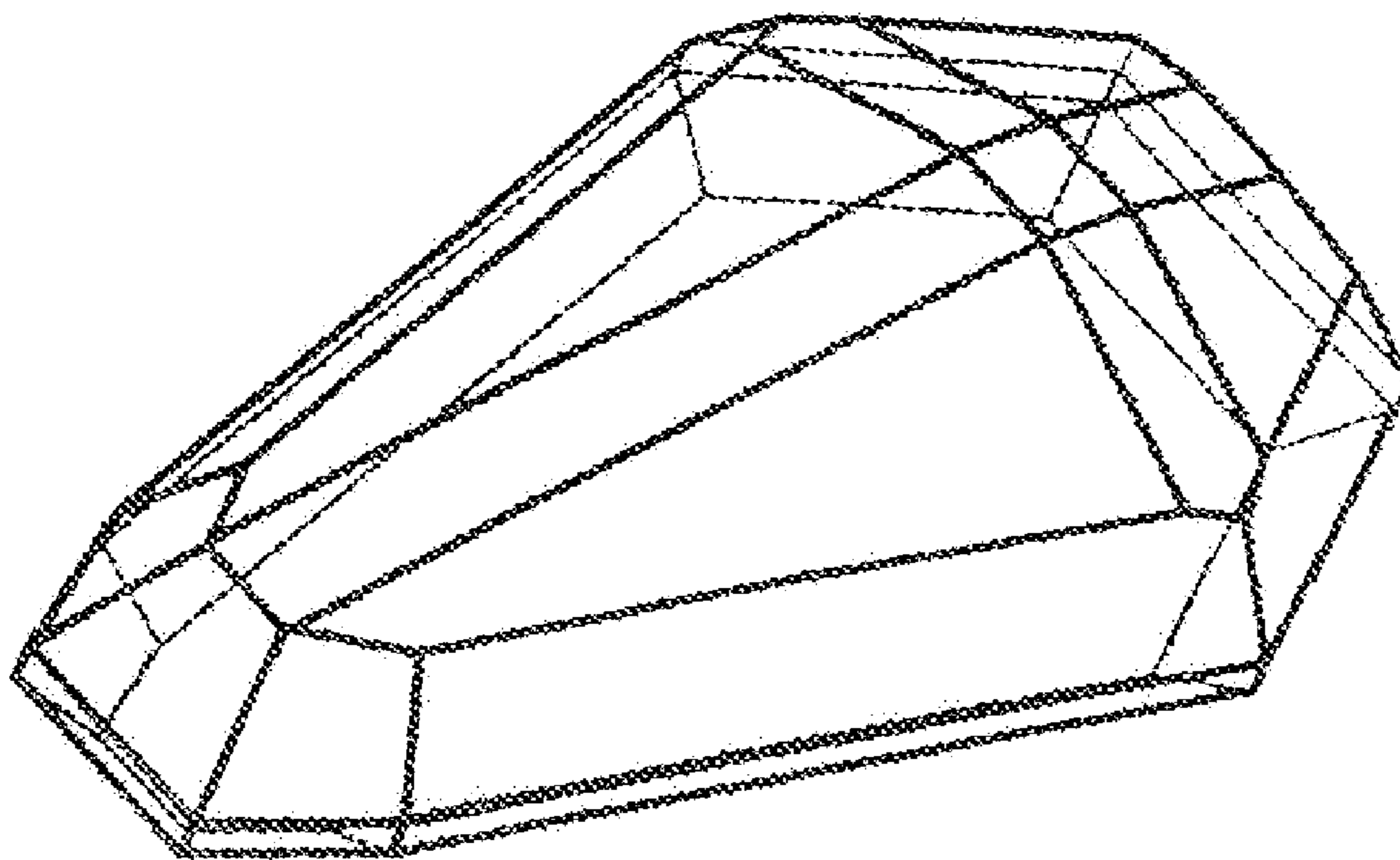
FIG. 3 is a front elevational view;

FIG. 4 is a rear elevational view;

FIG. 5 is side elevational view; and,

FIG. 6 is a bottom perspective view.

1 Claim, 6 Drawing Sheets



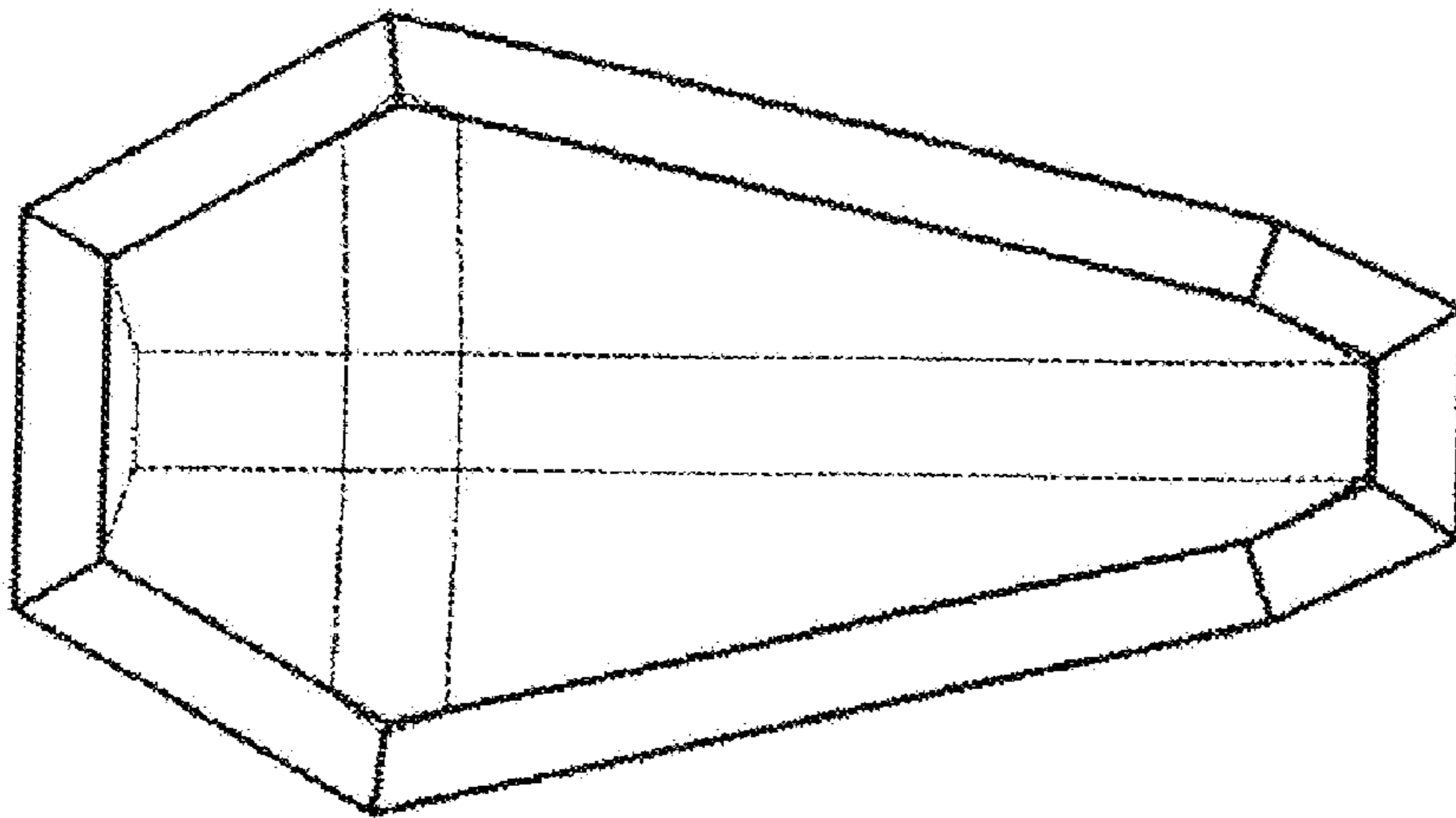


Fig. 1

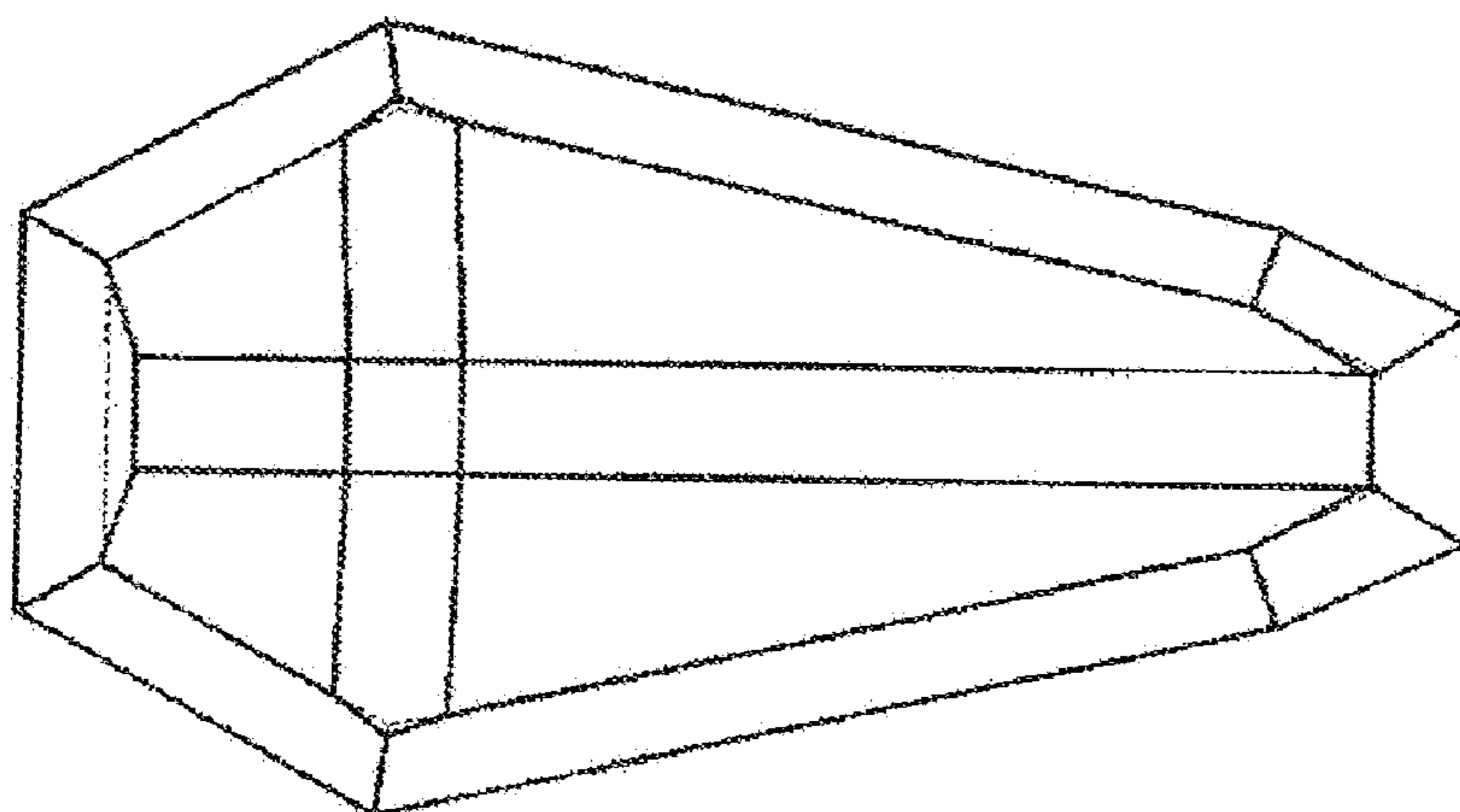


Fig. 2

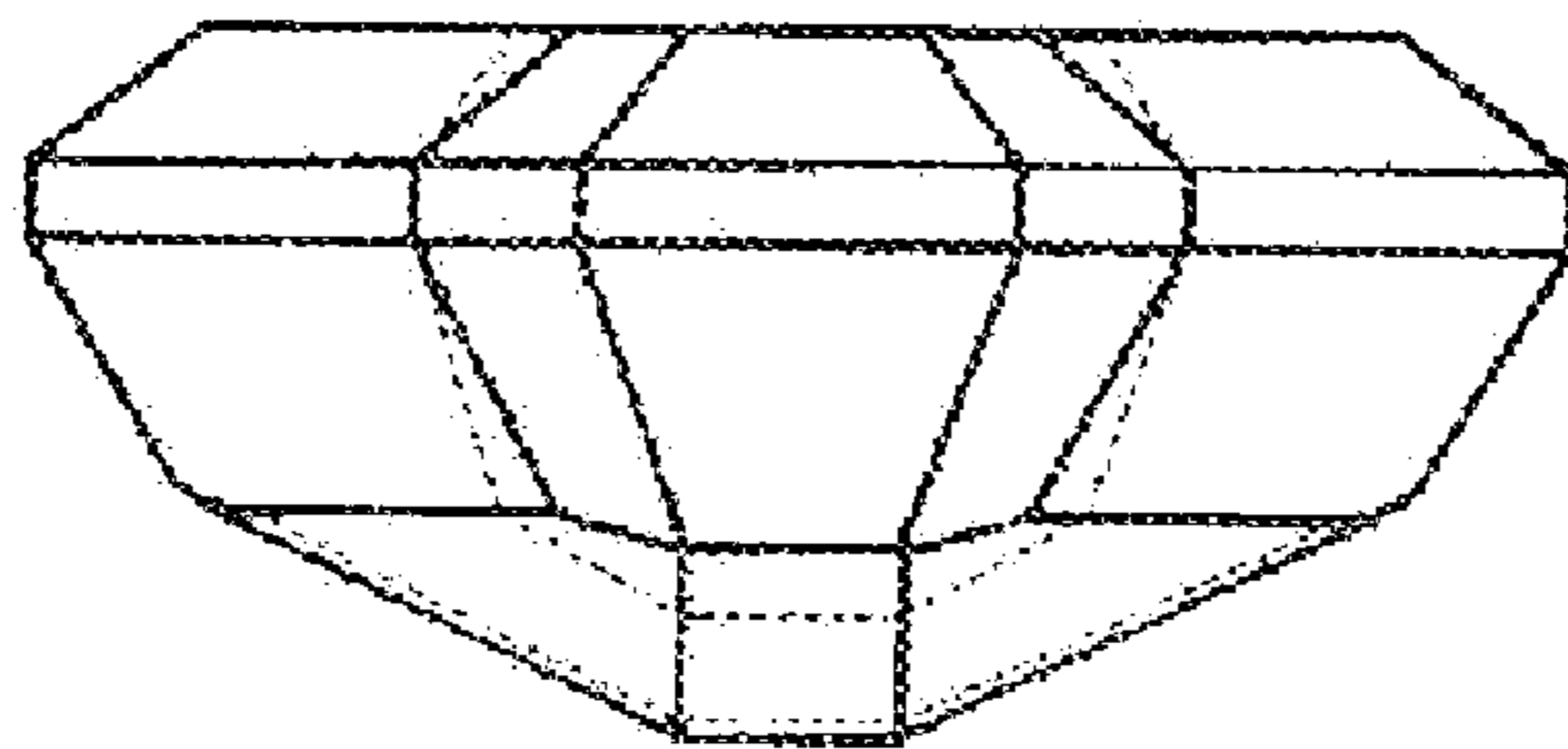


Fig. 3

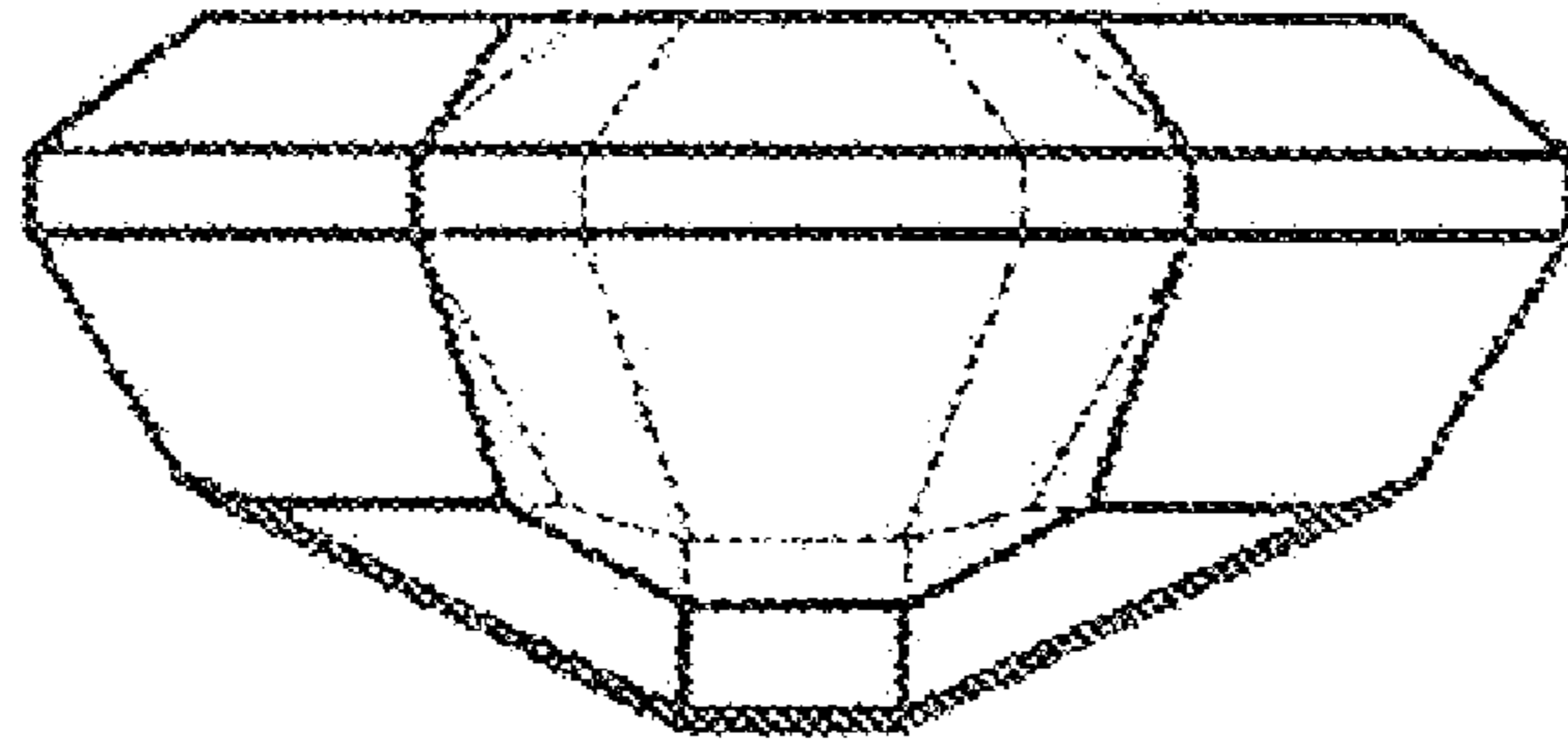


Fig. 4

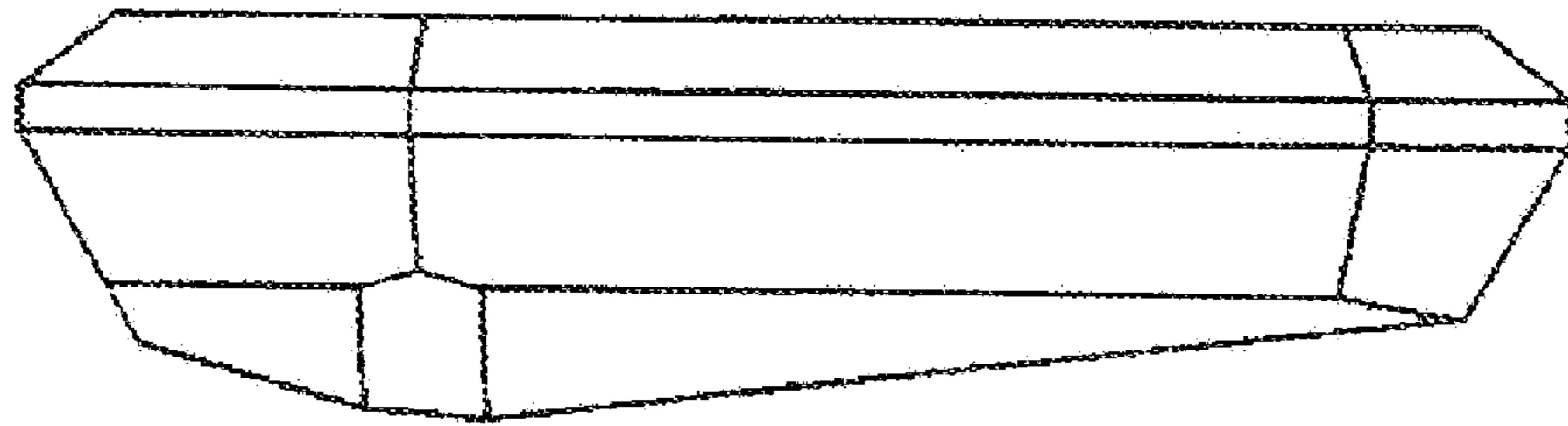


Fig. 5

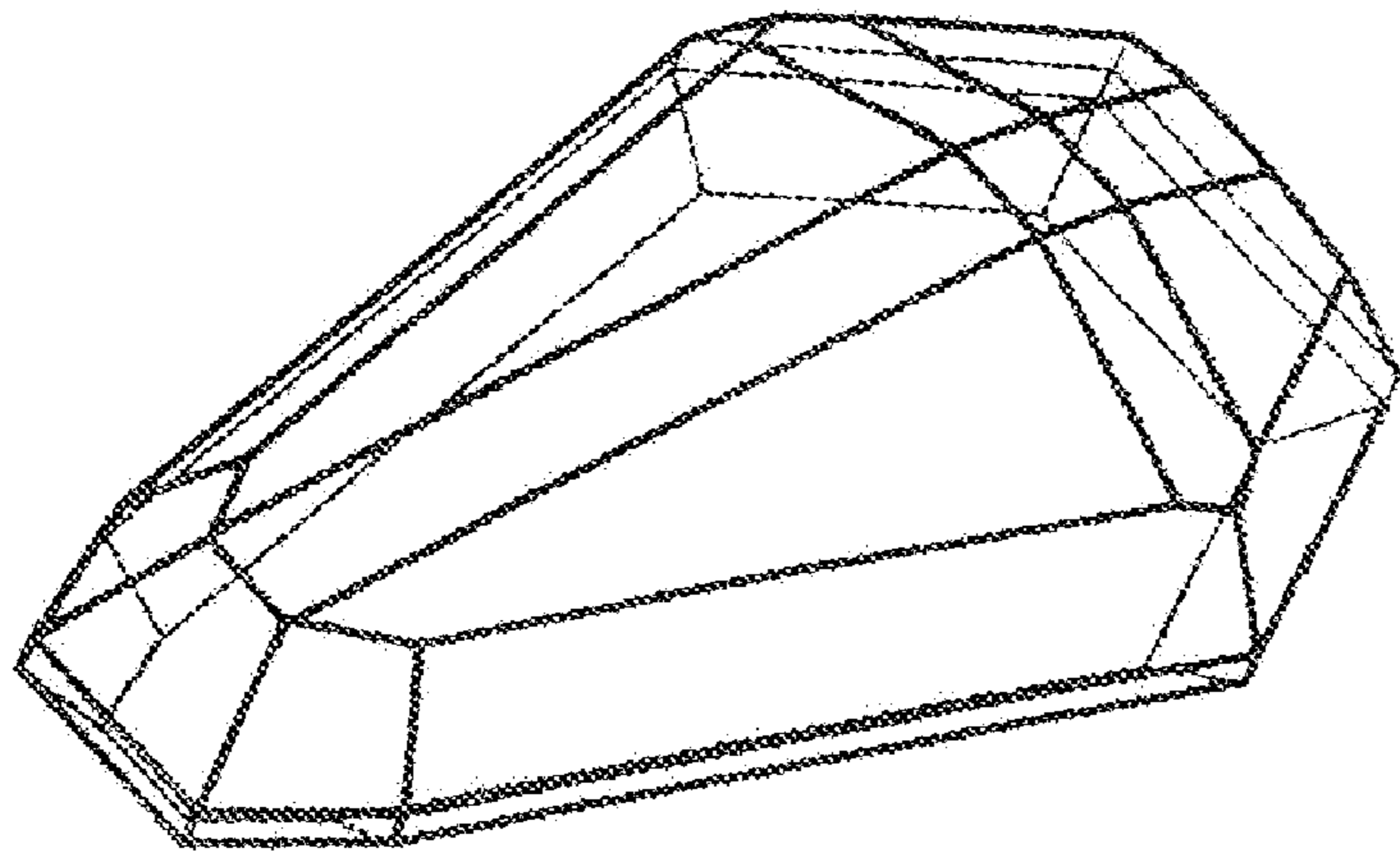


Fig. 6