



US00D574285S

(12) **United States Design Patent**  
**Chen**

(10) **Patent No.:** **US D574,285 S**  
(45) **Date of Patent:** **\*\* Aug. 5, 2008**

(54) **NEEDLE FOR A TIMEPIECE**

(76) Inventor: **Chin-Te Chen**, No. 26, Alley 26, Lane 57, Chenggong Rd., Dali City, Taichung Hsien (TW)

(\*\*) Term: **14 Years**

(21) Appl. No.: **29/248,661**

(22) Filed: **Aug. 26, 2006**

(51) **LOC (8) Cl.** ..... **10-07**

(52) **U.S. Cl.** ..... **D10/129**

(58) **Field of Classification Search** ..... D10/129, D10/127, 122, 128, 30-39; 368/220, 221, 368/234, 124, 127, 139, 142, 143, 158, 161, 368/169, 170, 238

See application file for complete search history.

(56) **References Cited**

**U.S. PATENT DOCUMENTS**

113,781	A *	4/1871	Lewis	368/220
855,950	A *	6/1907	Horn	368/132
861,980	A *	7/1907	Hight	368/59
921,859	A *	5/1909	Marshall	368/143
1,037,705	A *	9/1912	Yeakel	368/143
1,204,732	A *	11/1916	Banta et al.	368/220
1,370,543	A *	3/1921	Jenkins	368/143
D62,566	S *	6/1923	Dudley	D10/129
1,461,739	A *	7/1923	Silbermann	368/124
1,535,286	A *	4/1925	Bates	368/130
1,619,564	A *	3/1927	Campbell	368/207
1,659,422	A *	2/1928	Bachtold	368/59
1,913,991	A *	6/1933	Lux	368/183
1,936,684	A *	11/1933	Mazur	368/76
2,099,414	A *	11/1937	Whitehead	368/124
2,832,191	A *	4/1958	Rawlings et al.	368/161
2,941,349	A *	6/1960	Lux	368/186
3,034,283	A *	5/1962	Durham	368/124
3,059,500	A *	10/1962	Schneiter	74/575
3,151,441	A *	10/1964	Tsuzuki	368/185
4,382,695	A *	5/1983	Rinaldi et al.	368/220

D273,849	S *	5/1984	Berges et al.	D10/129
D317,729	S *	6/1991	Tanaka	D10/129
D323,124	S *	1/1992	Osawa	D10/39
D397,617	S *	9/1998	Davis	D10/1
6,431,746	B1 *	8/2002	Jujo et al.	368/127
6,490,231	B1 *	12/2002	Takahashi et al.	368/38
6,520,674	B1 *	2/2003	Tokoro	368/127
6,554,468	B1 *	4/2003	Manaka et al.	368/127
6,612,734	B1 *	9/2003	Watanabe et al.	368/175
6,877,893	B2 *	4/2005	Mock et al.	368/127
6,948,845	B2 *	9/2005	Journe	368/127
D519,390	S *	4/2006	Lovegrove	D10/39
D530,628	S *	10/2006	Raffy	D10/32
D547,212	S *	7/2007	Dias	D10/39
D562,705	S *	2/2008	Laucella	D10/37

\* cited by examiner

*Primary Examiner*—Lucy Lieberman  
(74) *Attorney, Agent, or Firm*—Pai Patent and Trademark Law Firm; Chao-Chang David Pai

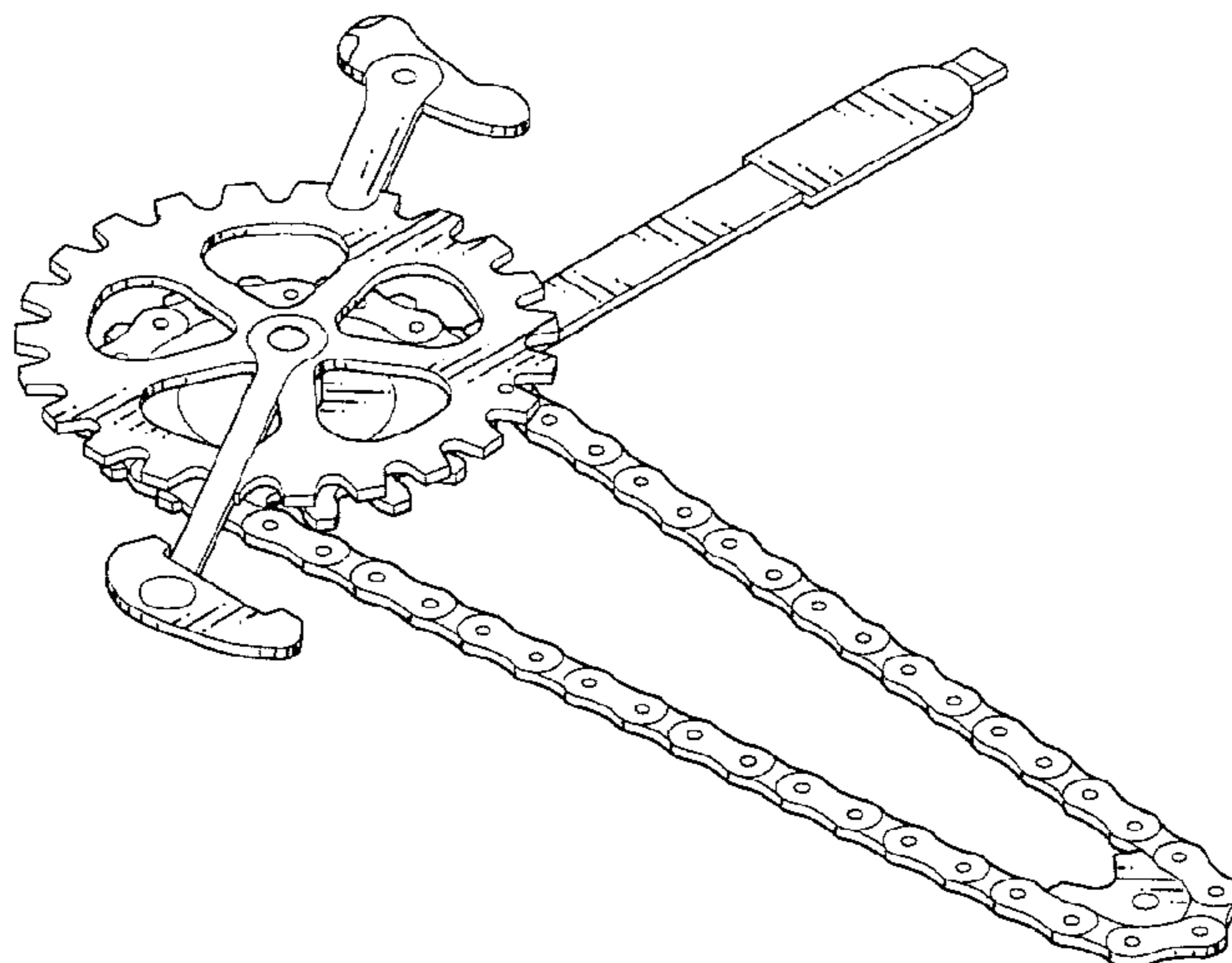
(57) **CLAIM**

The ornamental design for a needle for a timepiece, as shown and described.

**DESCRIPTION**

FIG. 1 is a perspective view of a needle for a timepiece, showing my new design;  
FIG. 2 is a front view thereof;  
FIG. 3 is a rear view thereof;  
FIG. 4 is a left side view thereof;  
FIG. 5 is a right side view thereof;  
FIG. 6 is a top view thereof;  
FIG. 7 is a bottom view thereof; and,  
FIG. 8 is a front elevation on a reduced scale of the needle for a timepiece shown with unclaimed environmental structure. The broken lines in FIG. 8 are for illustrative purposes only and form no part of the claimed design.

**1 Claim, 6 Drawing Sheets**



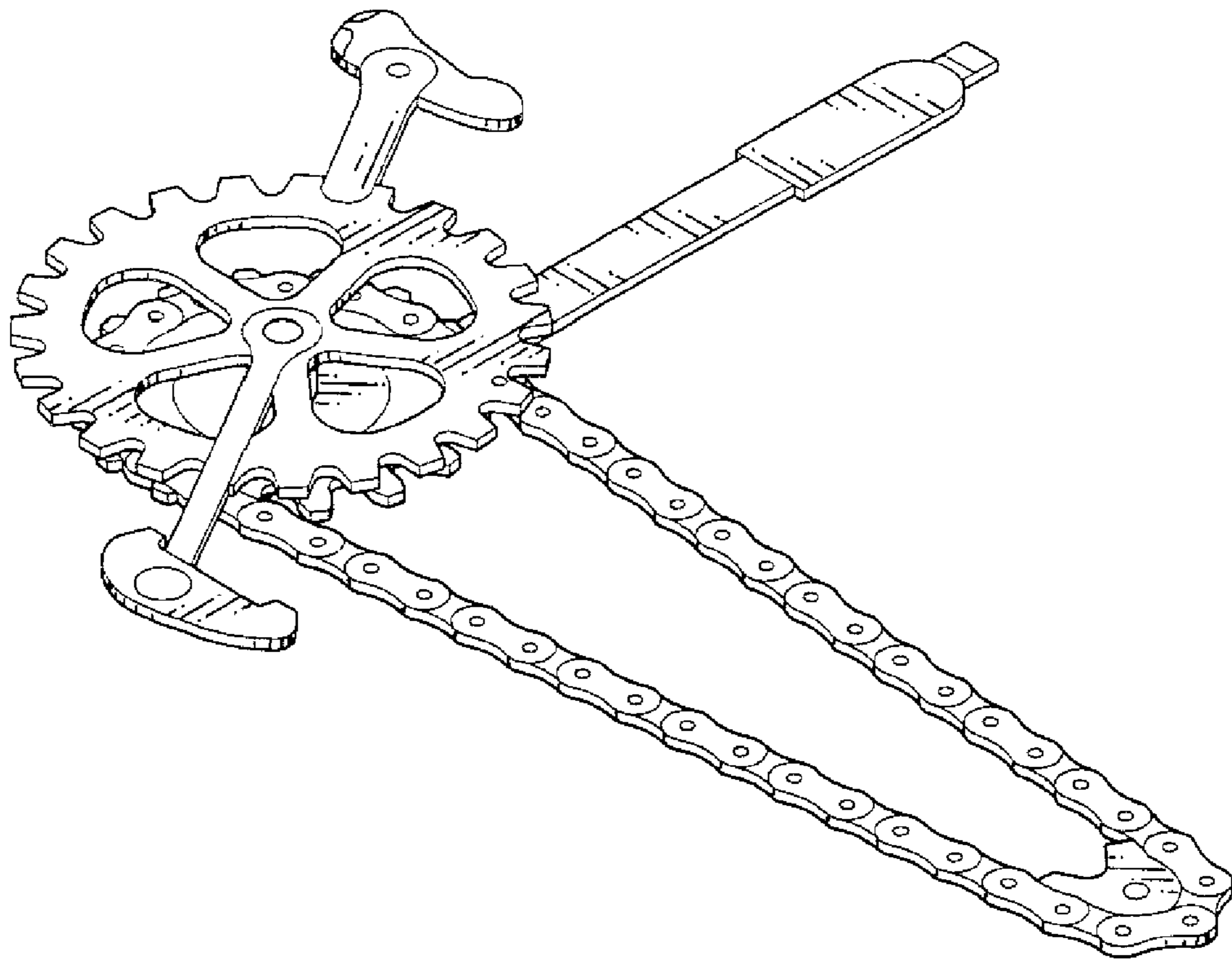


FIG.1

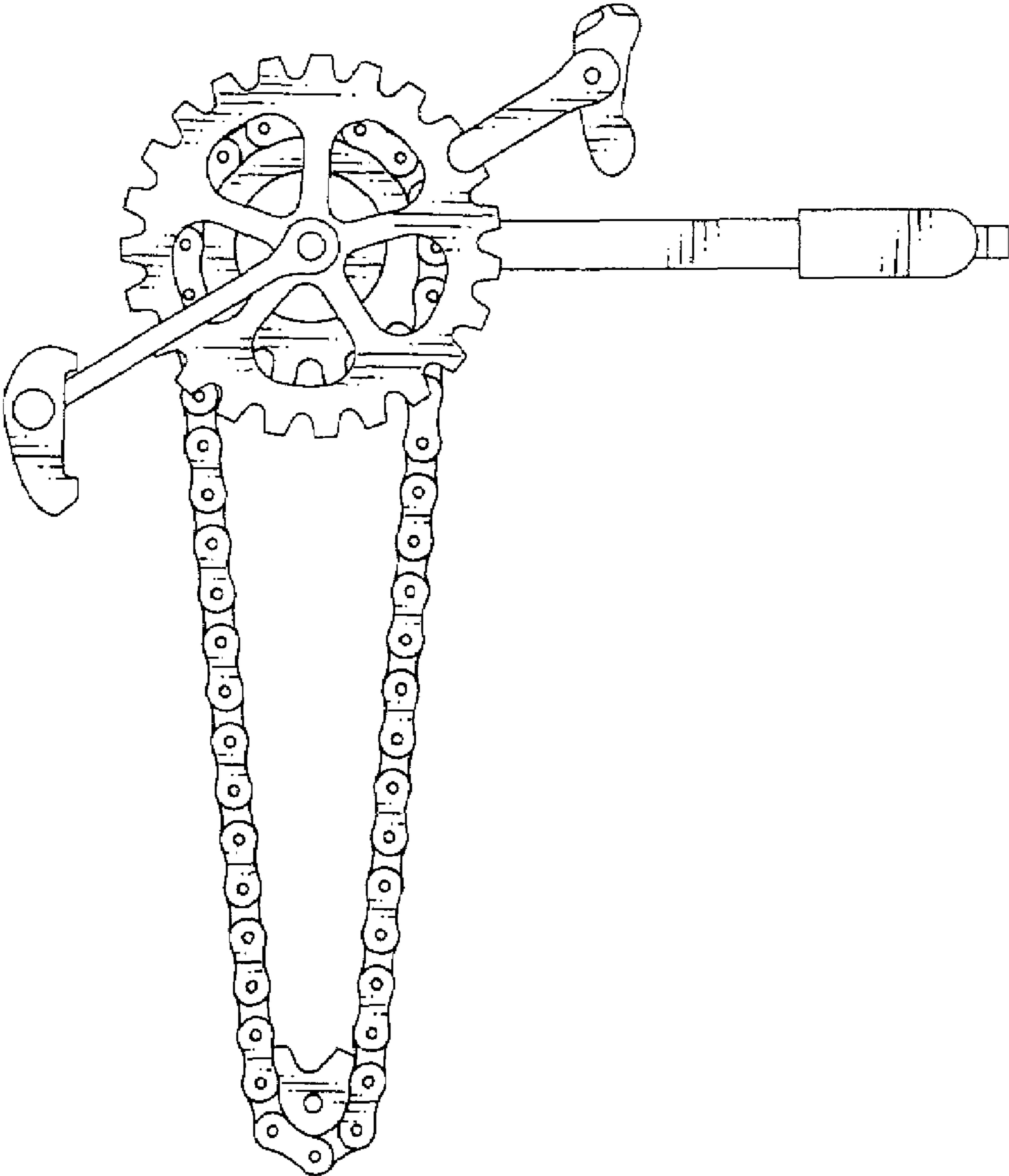


FIG.2

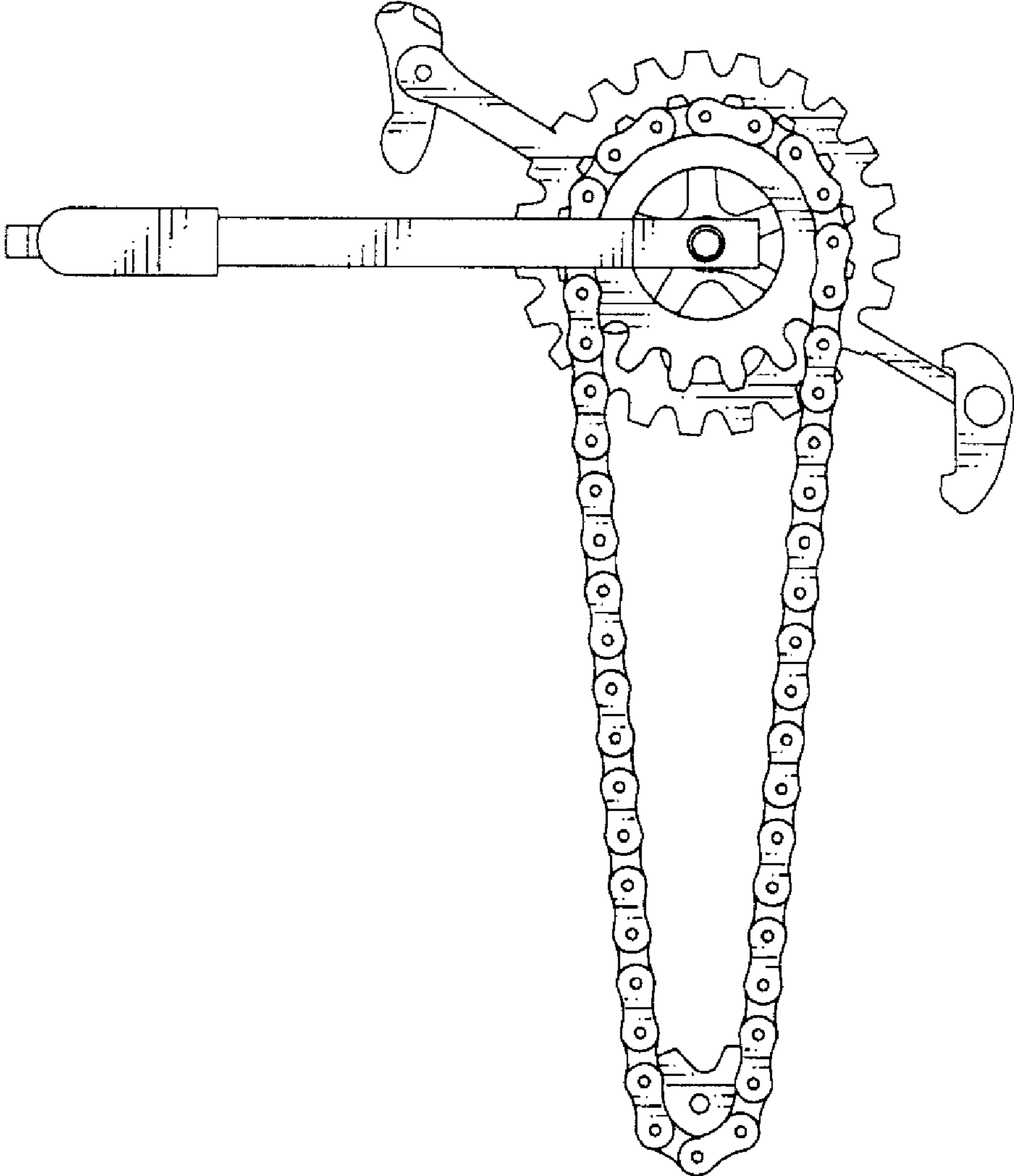


FIG. 3

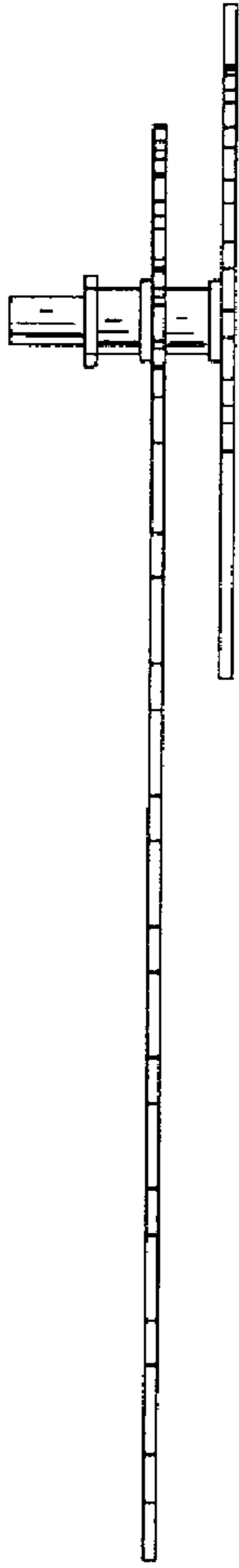


FIG.4

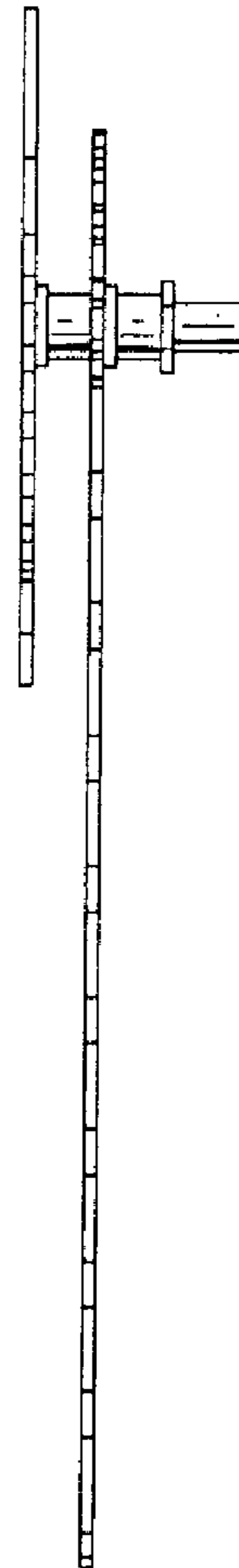


FIG.5



FIG. 6

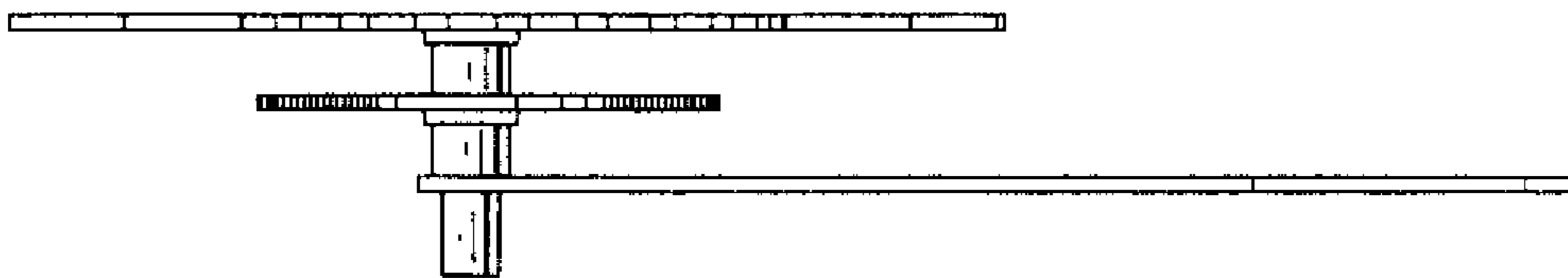


FIG. 7

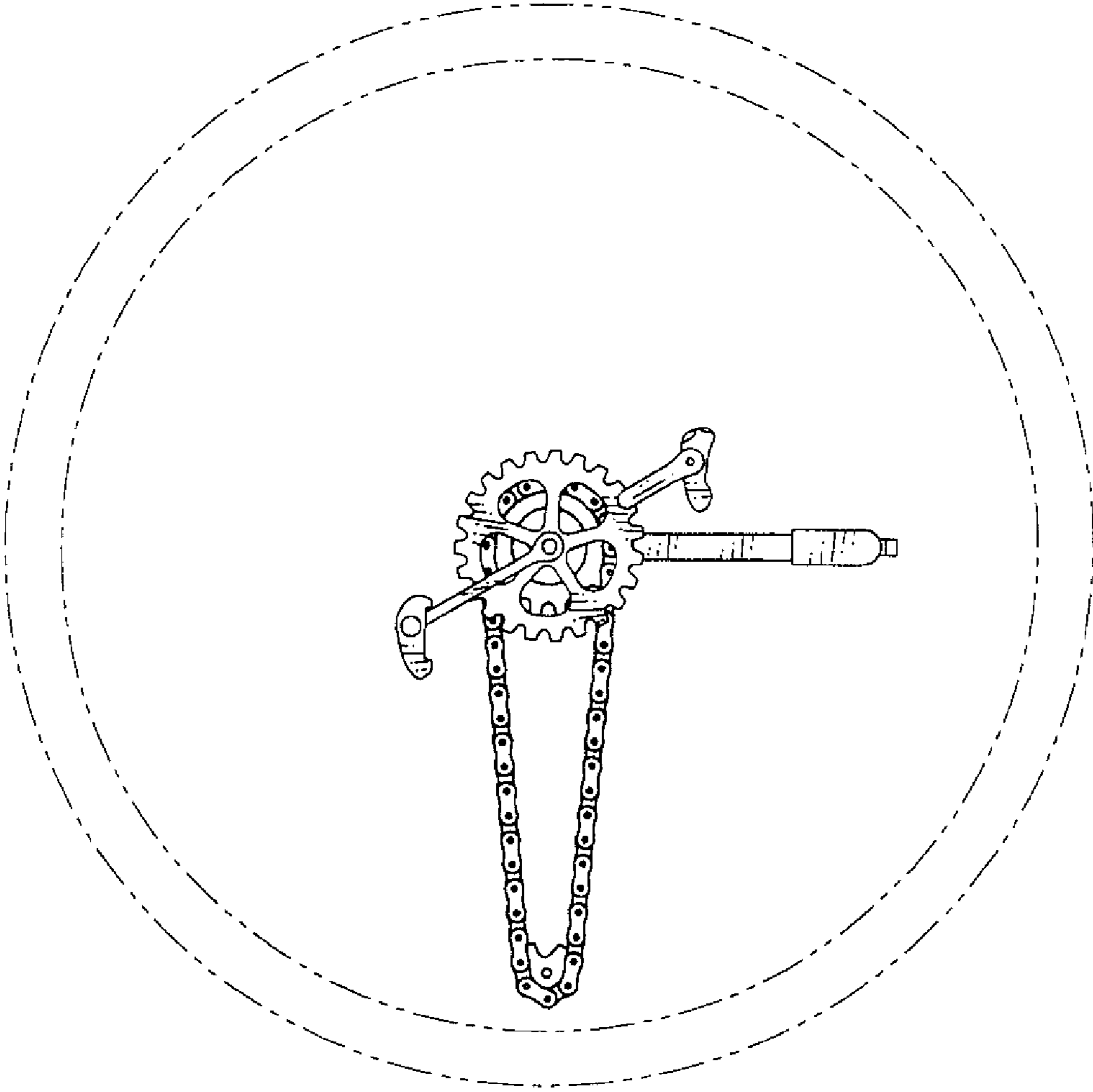


FIG.8