

US00D574283S

(12) **United States Design Patent**
Anderson et al.

(10) **Patent No.:** **US D574,283 S**

(45) **Date of Patent:** **** Aug. 5, 2008**

(54) **ALARM INDICATING OUTPUT APPLIANCES**

2002/0075473 A1* 6/2002 Davidson et al. 356/4.01
2004/0056773 A1* 3/2004 Zimmerman et al. 340/815.4

(75) Inventors: **Douglas J. Anderson**, St. Charles, IL (US); **Curtis R. Davidson**, Oswego, IL (US)

OTHER PUBLICATIONS

System Sensor, Selectable Output Strobes, Horns, and Horn/Strobes Installation and Maintenance Instructions, published Nov. 2005.*
System Sensor, Selectable Output Strobes, Horns, and Horn/Strobes Installation and Maintenance Instructions, published Nov. 2005.
System Sensor, Selectable Output Strobes, Horns, and Horn/Strobes Data Sheet, published Apr. 2006.

(73) Assignee: **Honeywell International Inc.**,
Morristown, NJ (US)

(**) Term: **14 Years**

* cited by examiner

(21) Appl. No.: **29/275,039**

Primary Examiner—Robert M. Spear
Assistant Examiner—George D. Kirschbaum
(74) *Attorney, Agent, or Firm*—Welsh & Katz, Ltd.

(22) Filed: **Dec. 11, 2006**

(51) **LOC (8) Cl.** **10-05**

(52) **U.S. Cl.** **D10/106**

(58) **Field of Classification Search** D10/104–121;
340/815, 432, 908.1, 815.03, 760, 761, 867,
340/782, 471, 473, 815.4, 815.73

(57) **CLAIM**

See application file for complete search history.

The ornamental design for alarm indicating output appliances, as shown and described.

DESCRIPTION

(56) **References Cited**

FIG. 1 is a front perspective view of our alarm indicating output appliance;

U.S. PATENT DOCUMENTS

FIG. 2 is a front elevational view thereof;

- D179,133 S * 11/1956 Gordon D10/106
- D315,112 S * 3/1991 Andrews et al. D10/104
- D315,694 S * 3/1991 Thorp et al. D10/114
- D374,635 S * 10/1996 Hur et al. D10/106
- 5,805,071 A * 9/1998 Hur 340/693.9
- 6,127,935 A * 10/2000 Davidson et al. 340/691.5
- 6,133,843 A * 10/2000 Davidson 340/693.9
- D442,104 S * 5/2001 Costa et al. D10/106
- 6,271,763 B1 * 8/2001 Hur 340/693.12
- 6,522,261 B2 * 2/2003 Scheffler et al. 340/815.73
- D513,199 S * 12/2005 Costa et al. D10/106
- 7,006,003 B2 * 2/2006 Zimmerman et al. 340/815.4

FIG. 3 is a bottom view thereof;

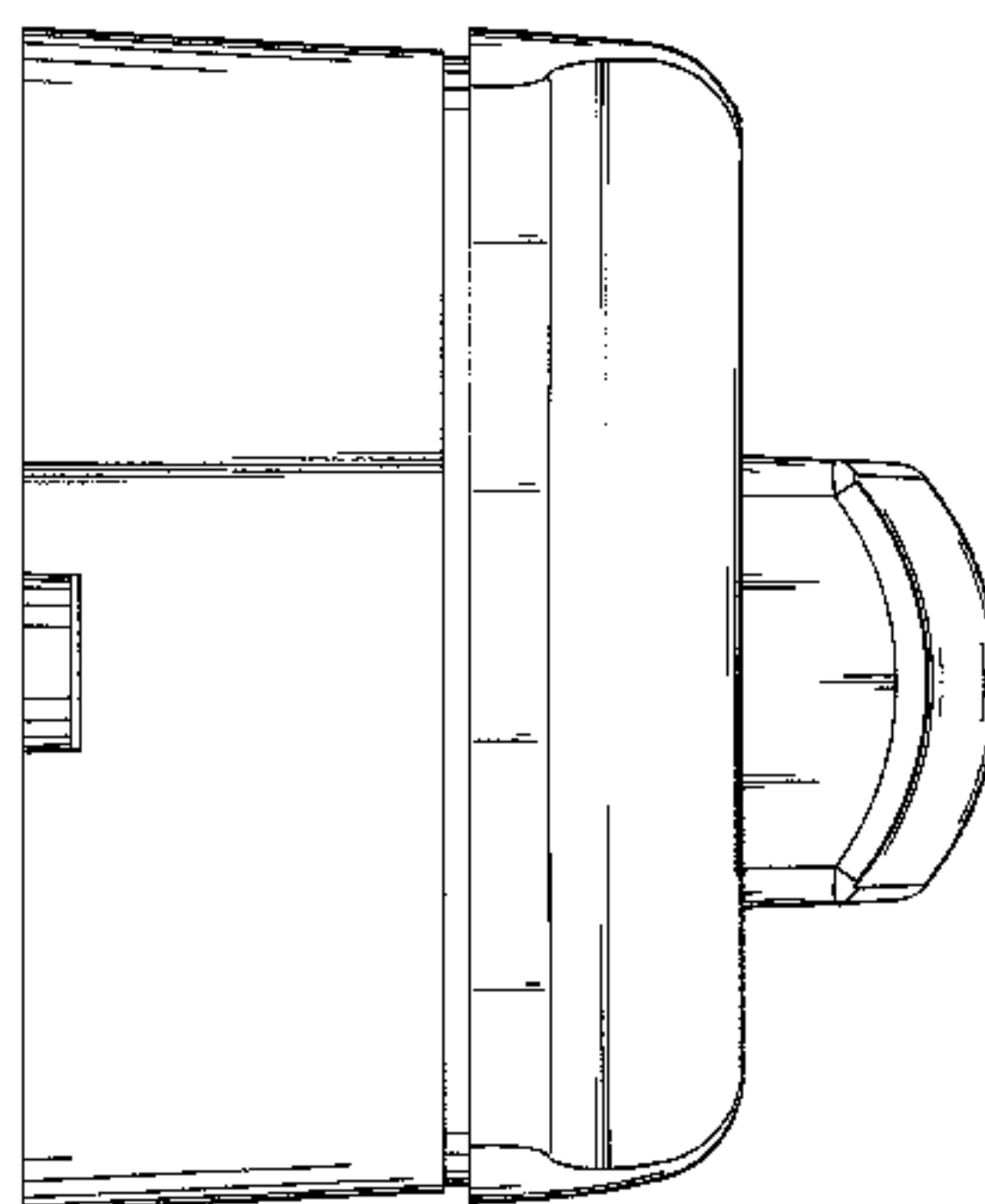
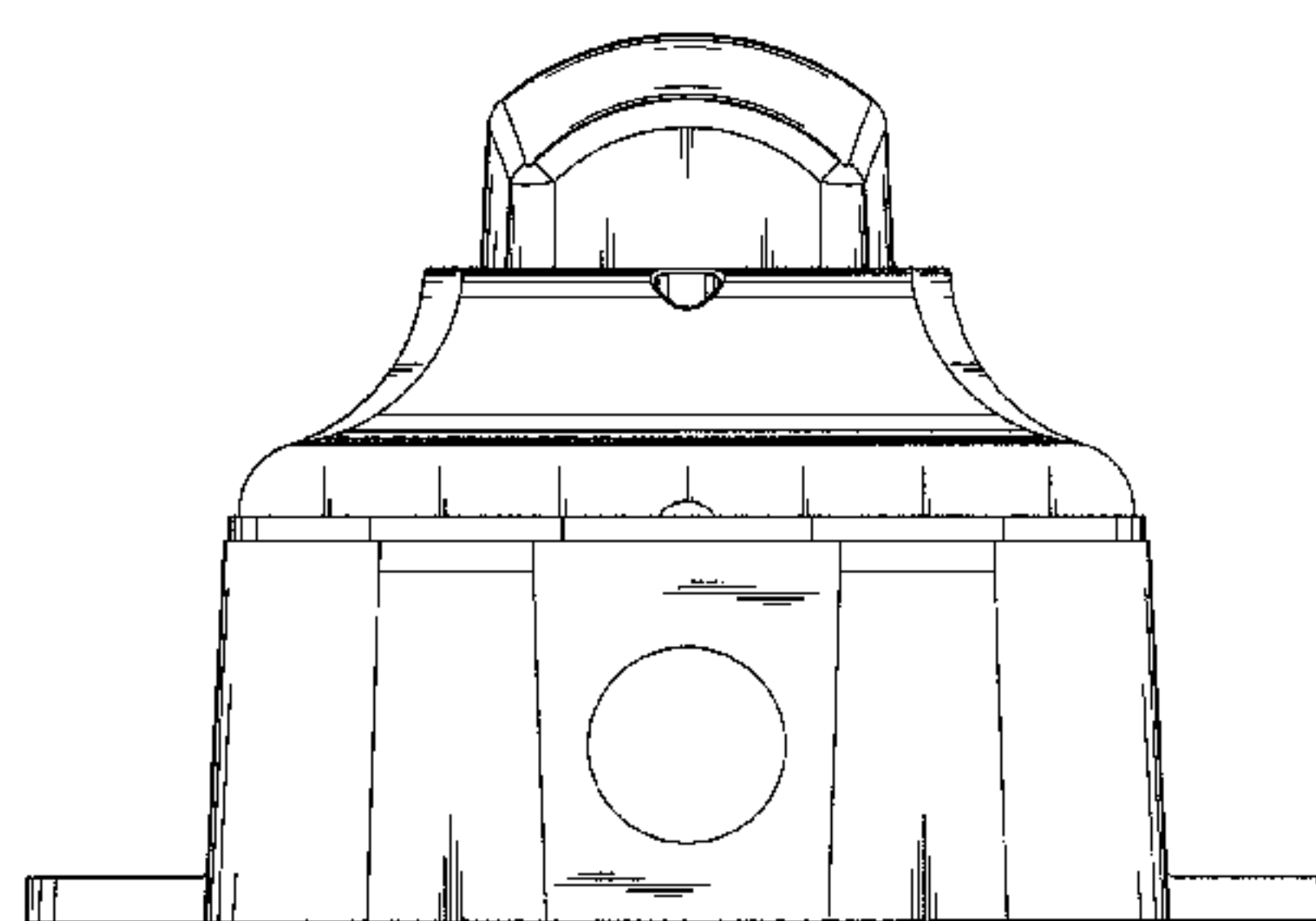
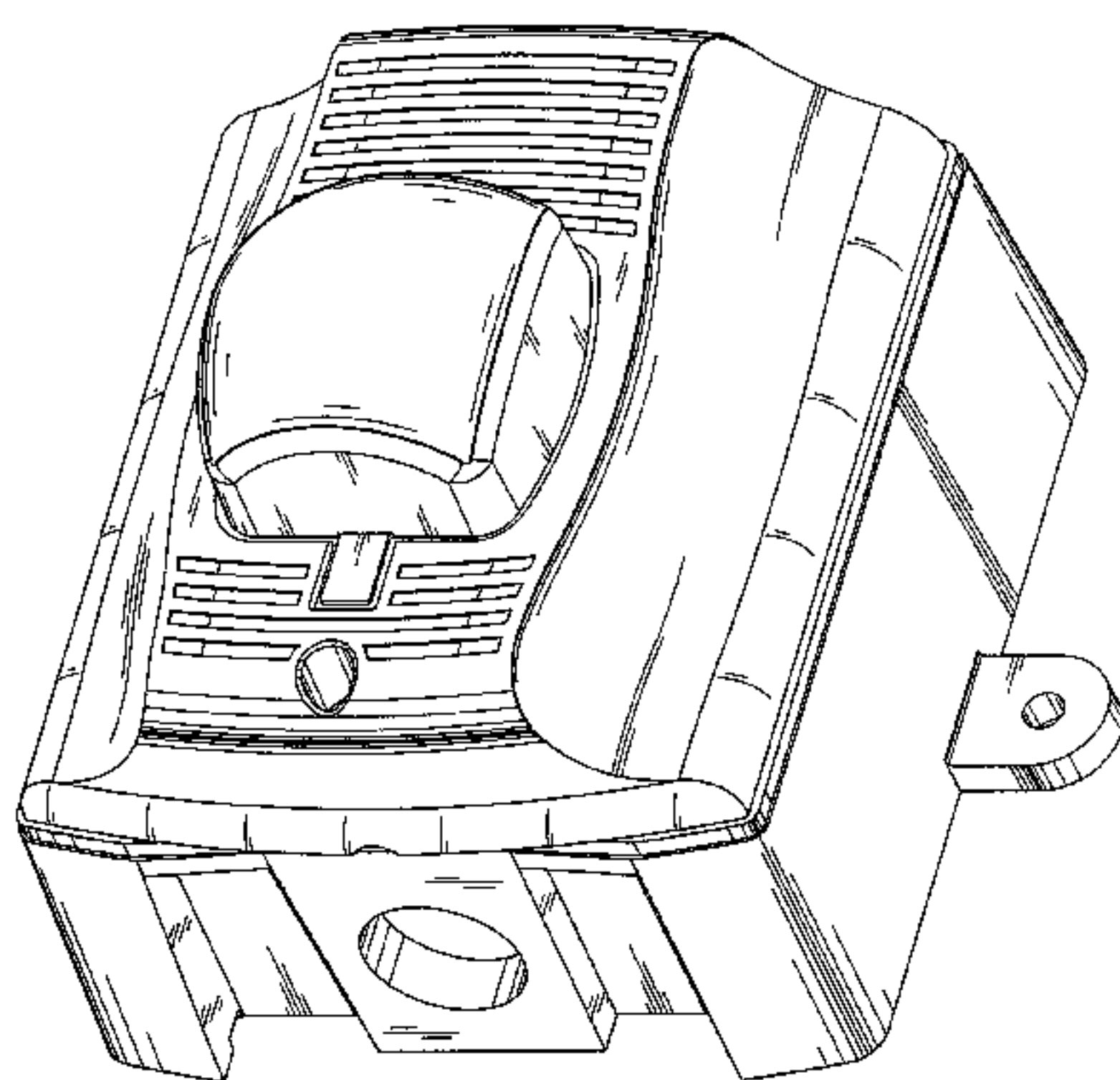
FIG. 4 is a top view thereof;

FIG. 5 is a right side elevational view thereof; and,

FIG. 6 is a left side view elevational view thereof.

The bottom views of the above-described embodiments have not been illustrated. They are unadorned and not part of the design.

1 Claim, 5 Drawing Sheets



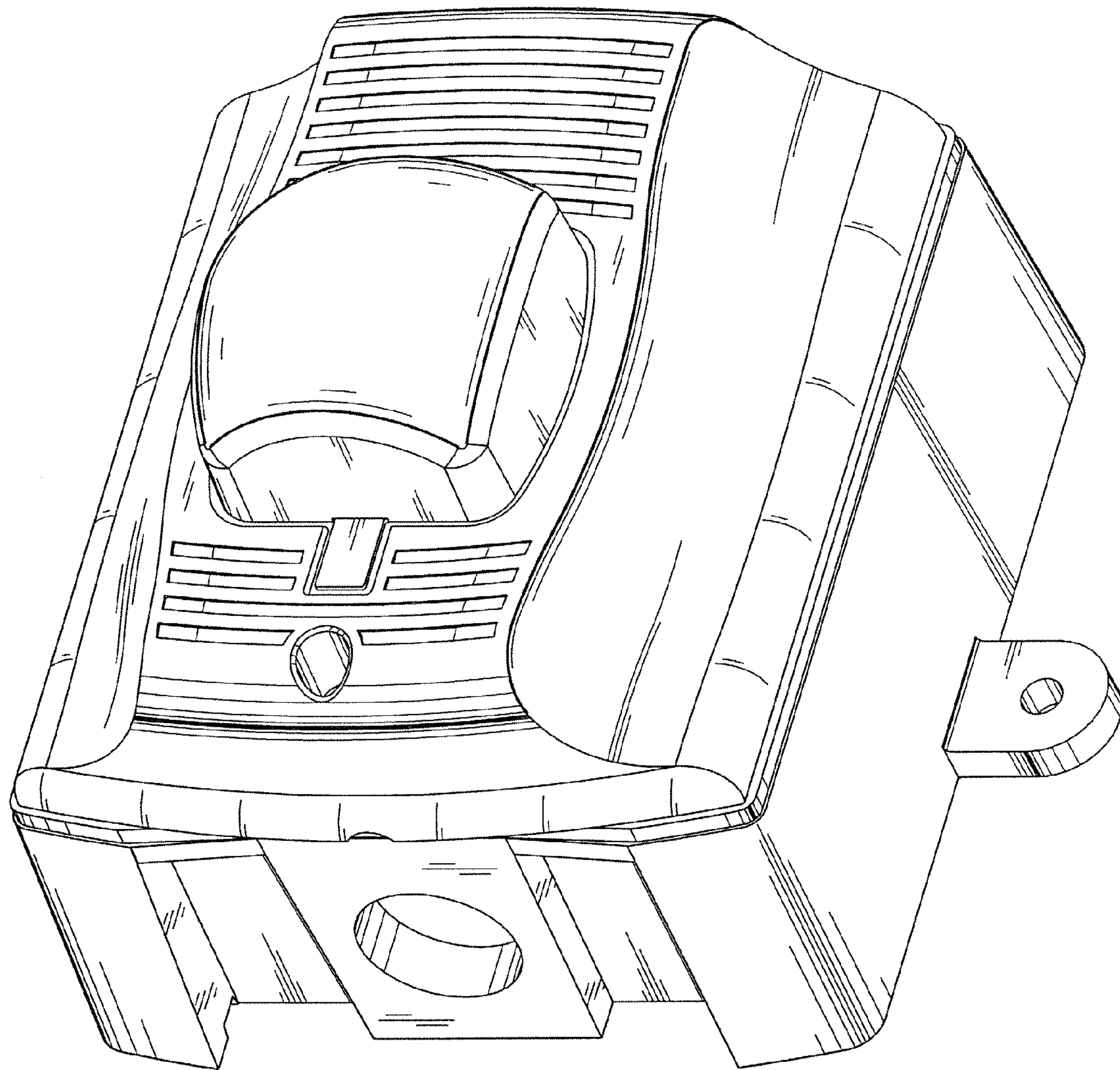


FIG. 1

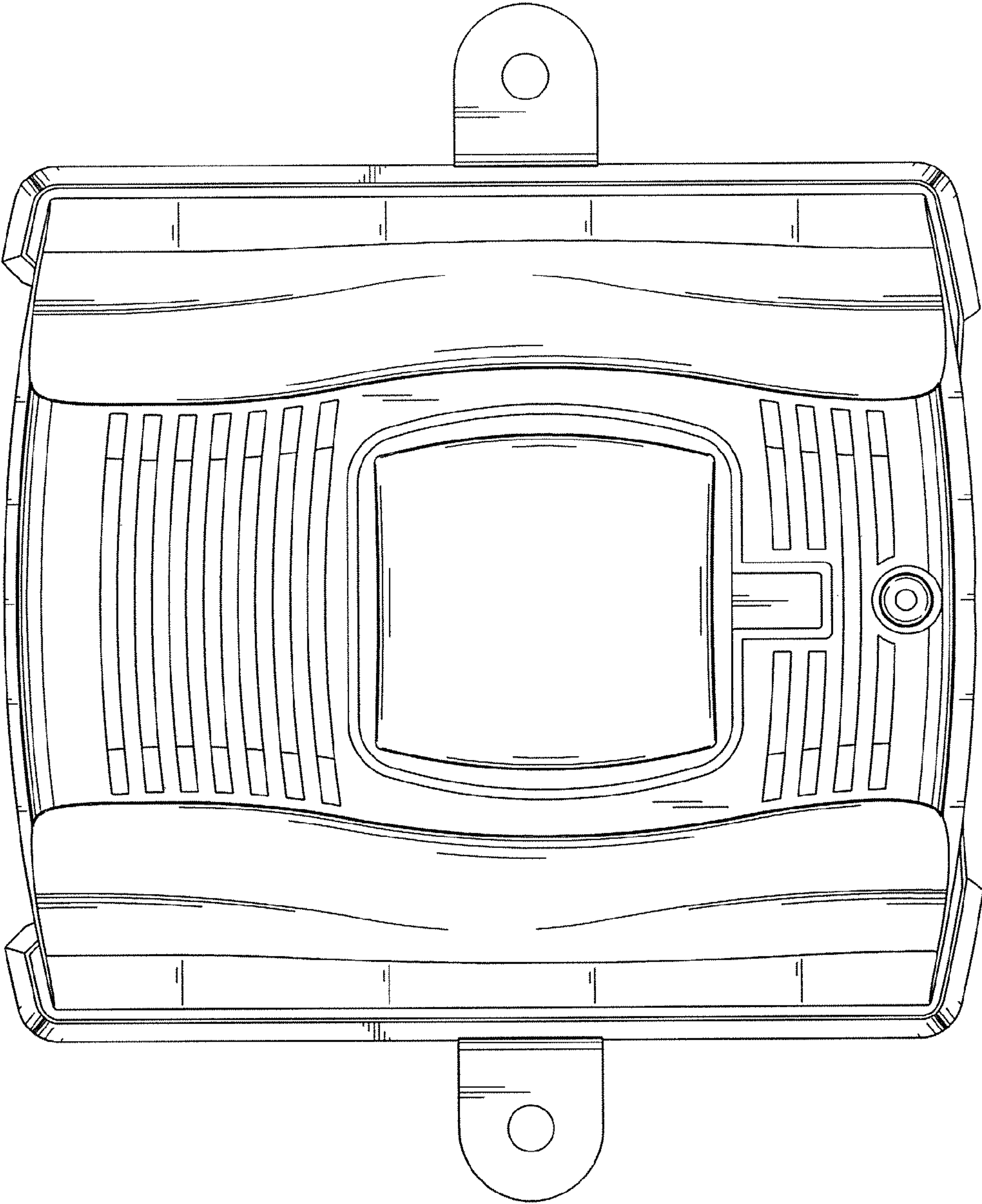


FIG. 2

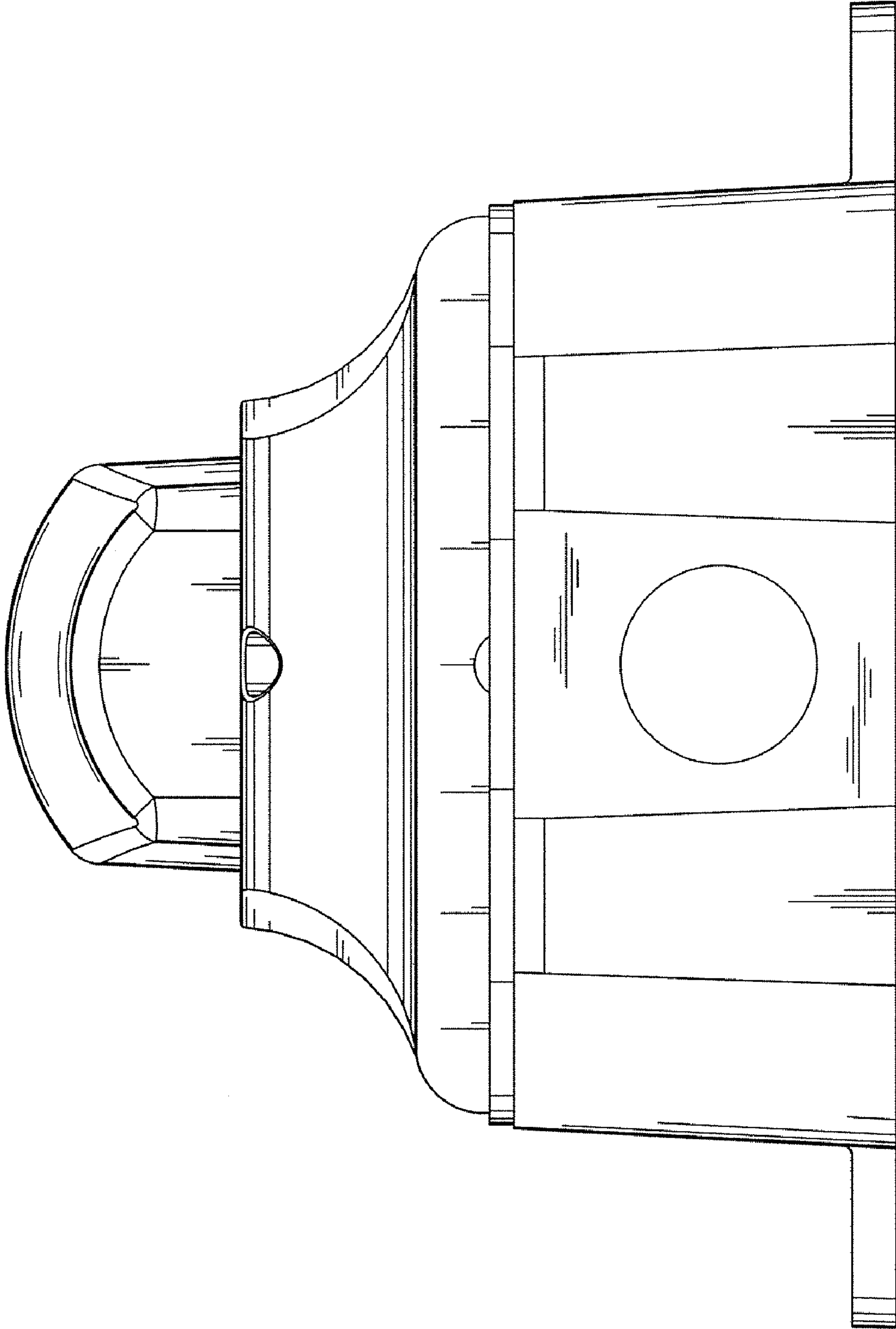


FIG. 3

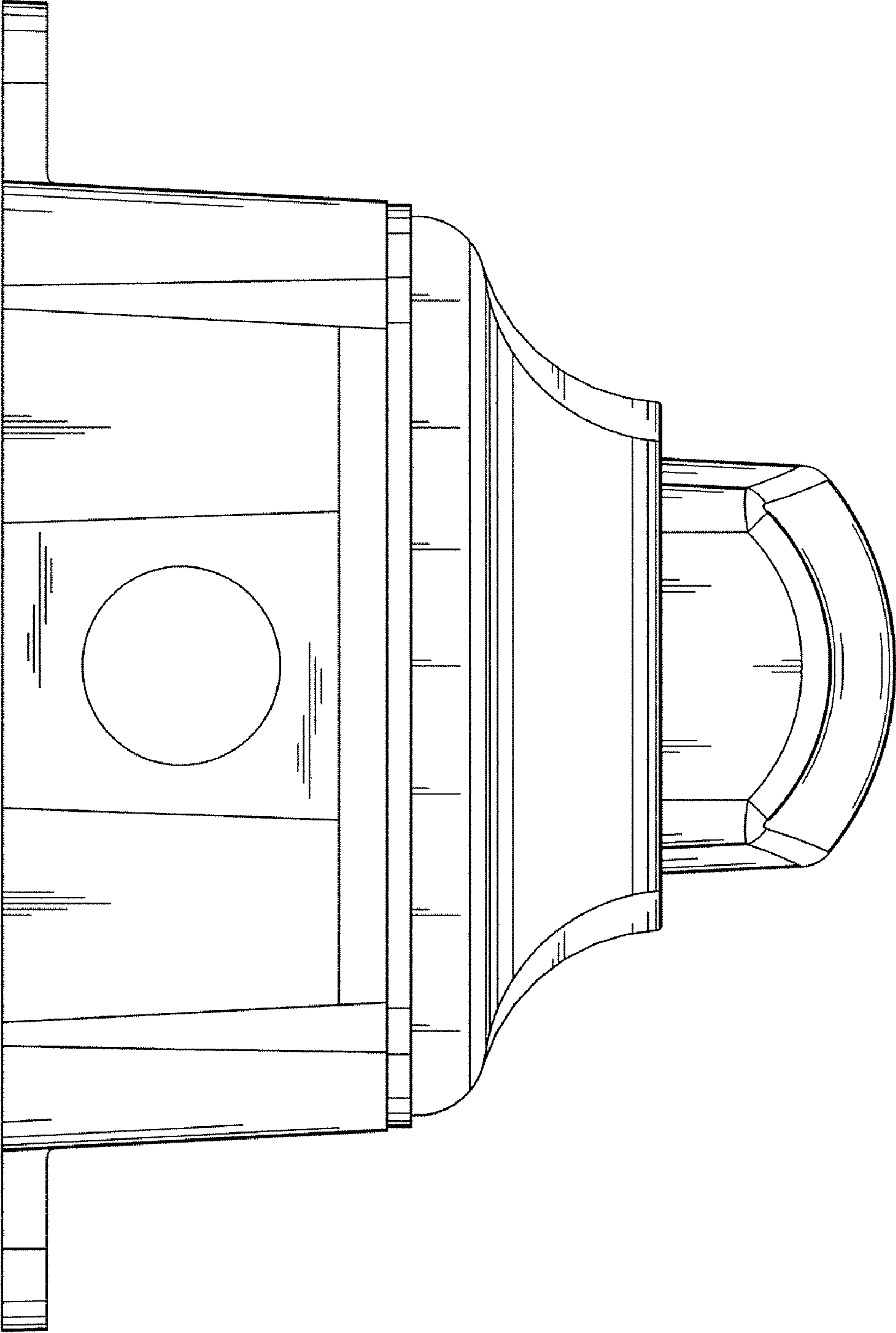


FIG. 4

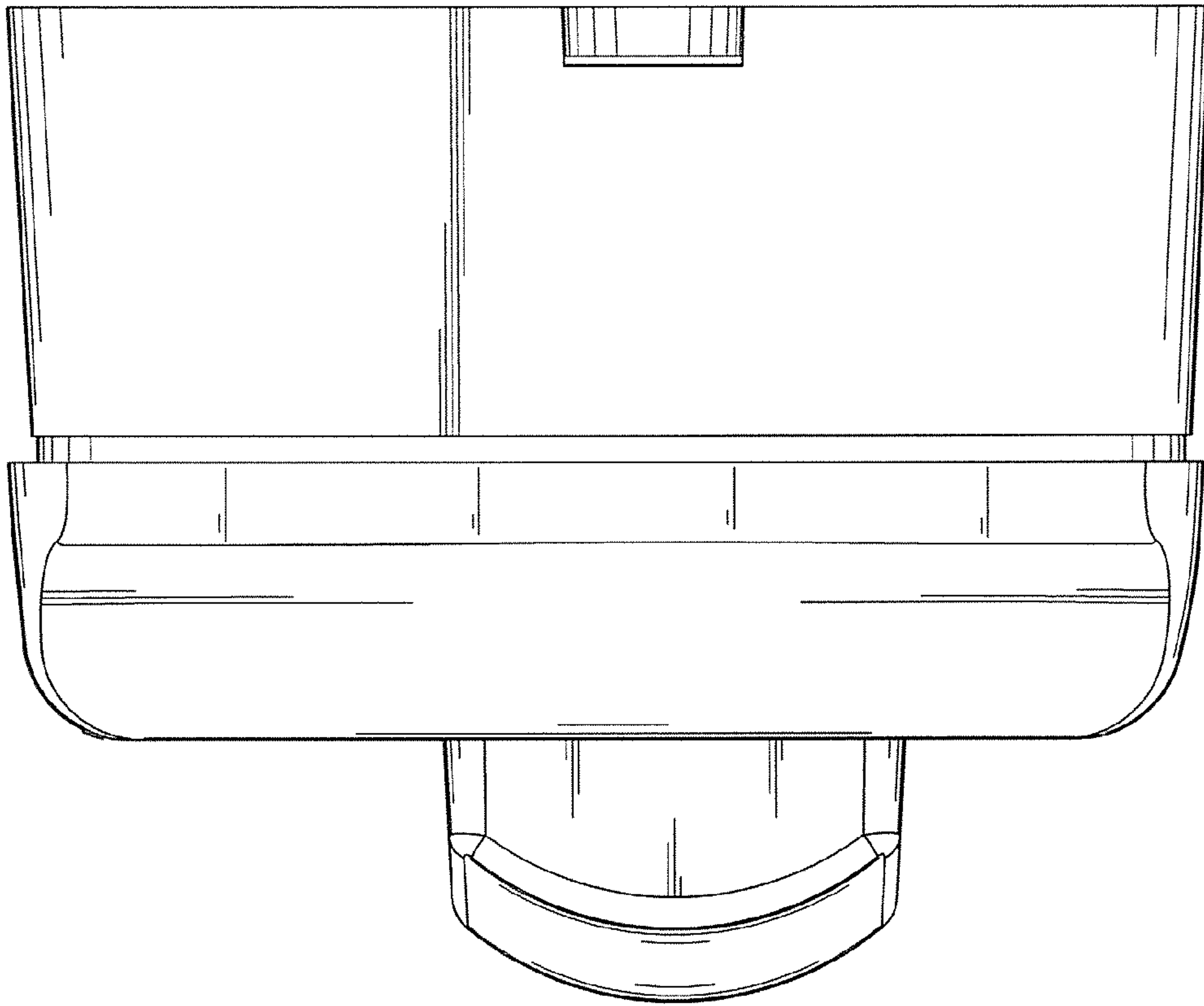


FIG. 6

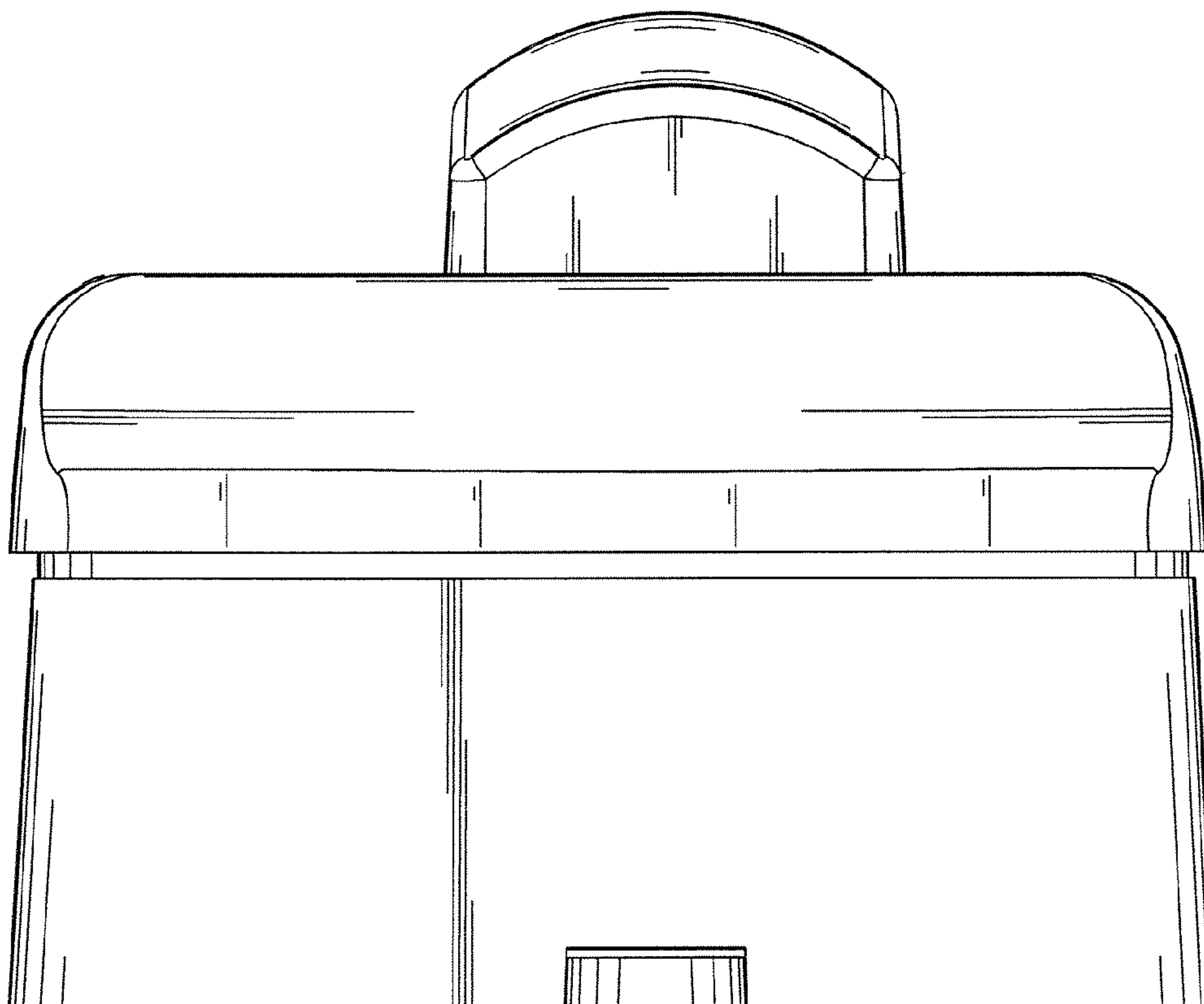


FIG. 5