



US00D574280S

(12) **United States Design Patent**
Wakamatsu et al.

(10) **Patent No.:** **US D574,280 S**

(45) **Date of Patent:** **** Aug. 5, 2008**

(54) **TEMPERATURE CONTROLLED OVEN FOR BIO-SENSOR**

(75) Inventors: **Shunichi Wakamatsu**, Saitama (JP);
Hiroyuki Kukita, Saitama (JP); **Kietsu Saito**, Saitama (JP)

(73) Assignee: **Nihon Dempa Kogyo Co., Ltd.**, Tokyo (JP)

(**) Term: **14 Years**

(21) Appl. No.: **29/288,699**

(22) Filed: **Jun. 20, 2007**

(30) **Foreign Application Priority Data**

Jan. 23, 2007 (JP) 2007-001110

(51) **LOC (8) Cl.** **10-04**

(52) **U.S. Cl.** **D10/81; D24/232**

(58) **Field of Classification Search** D10/46,
D10/81; D24/107, 186, 232; 356/73, 141,
356/419; 73/863.01; 422/100, 106, 107,
422/58, 931; 435/7.1, 7.9, 7.92, 810, 960,
435/975; 436/54, 66, 518, 524, 538, 67,
436/808

See application file for complete search history.

(56) **References Cited**

U.S. PATENT DOCUMENTS

D491,272 S * 6/2004 Alden et al. D24/216

* cited by examiner

Primary Examiner—Antoine D Davis

(74) *Attorney, Agent, or Firm*—Scott D. Wofsy; Edwards Angell Palmer & Dodge LLP

(57) **CLAIM**

The ornamental design for a temperature controlled oven for bio-sensor, as shown and described.

DESCRIPTION

FIG. 1 is a front view of a temperature controlled oven for bio-sensor of a new design;

FIG. 2 is a back view thereof;

FIG. 3 is a left side view thereof;

FIG. 4 is a right side view thereof;

FIG. 5 is a plan view thereof; and,

FIG. 6 is a bottom plan view thereof.

1 Claim, 2 Drawing Sheets

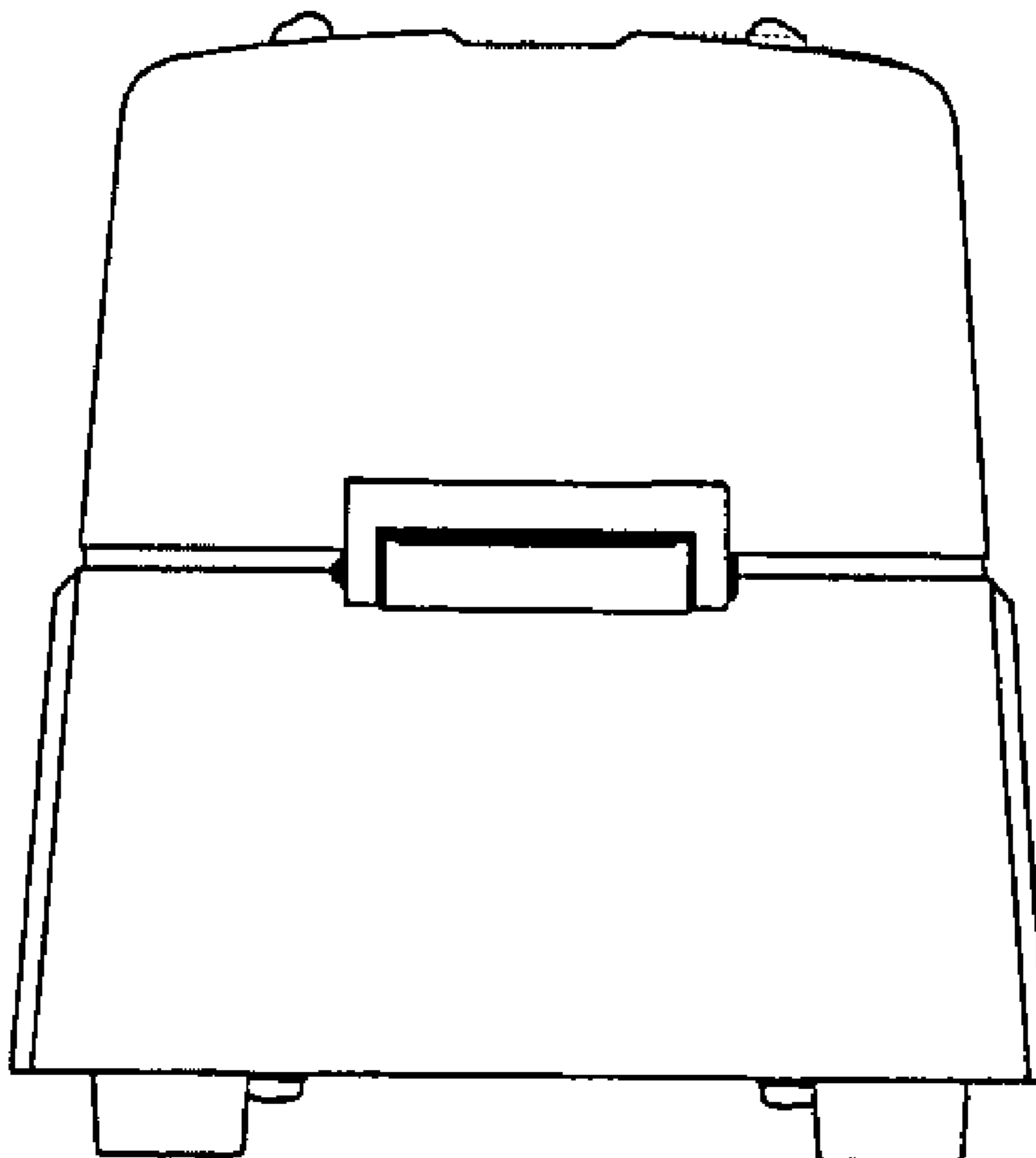


FIG. 1

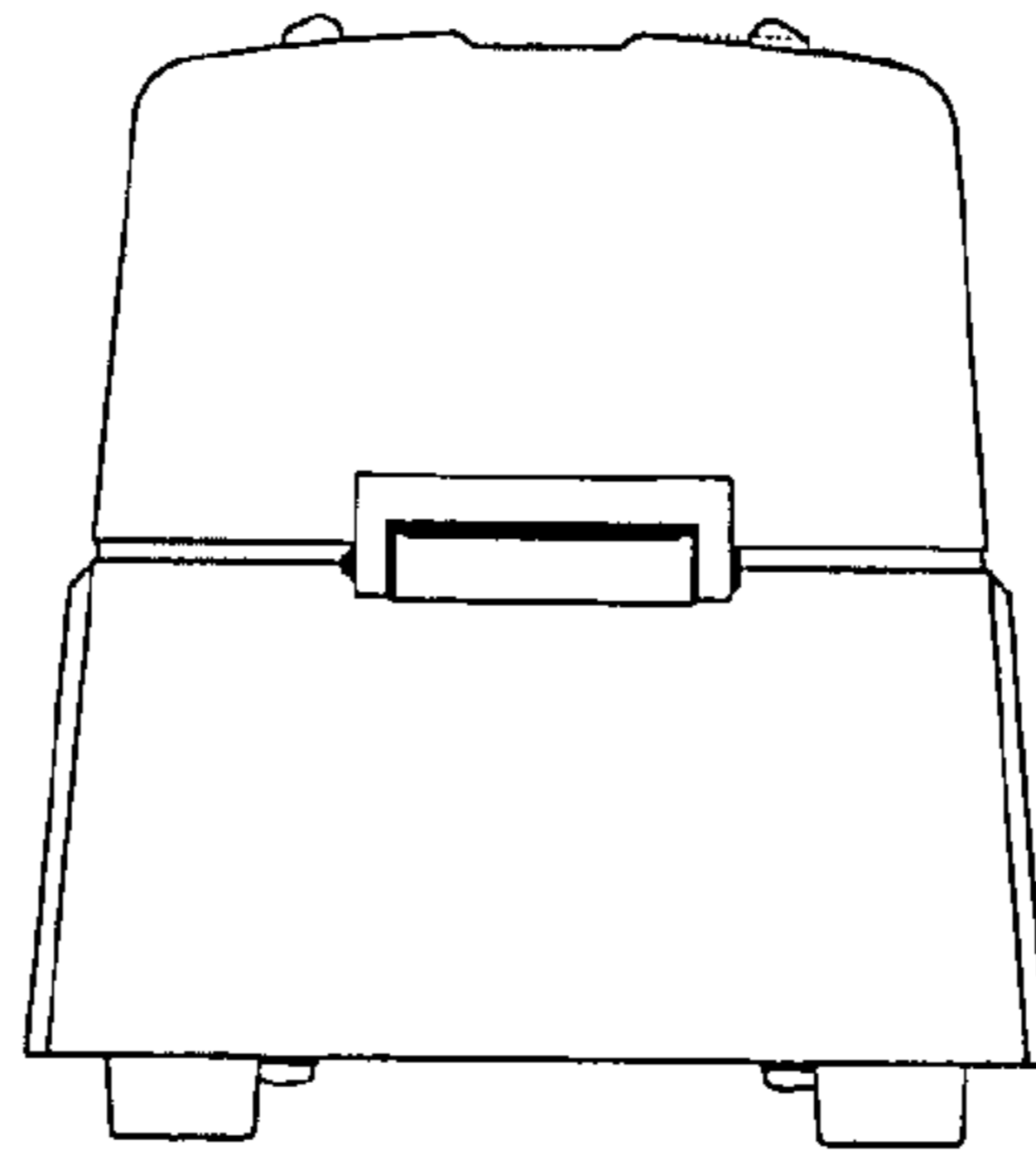


FIG. 2

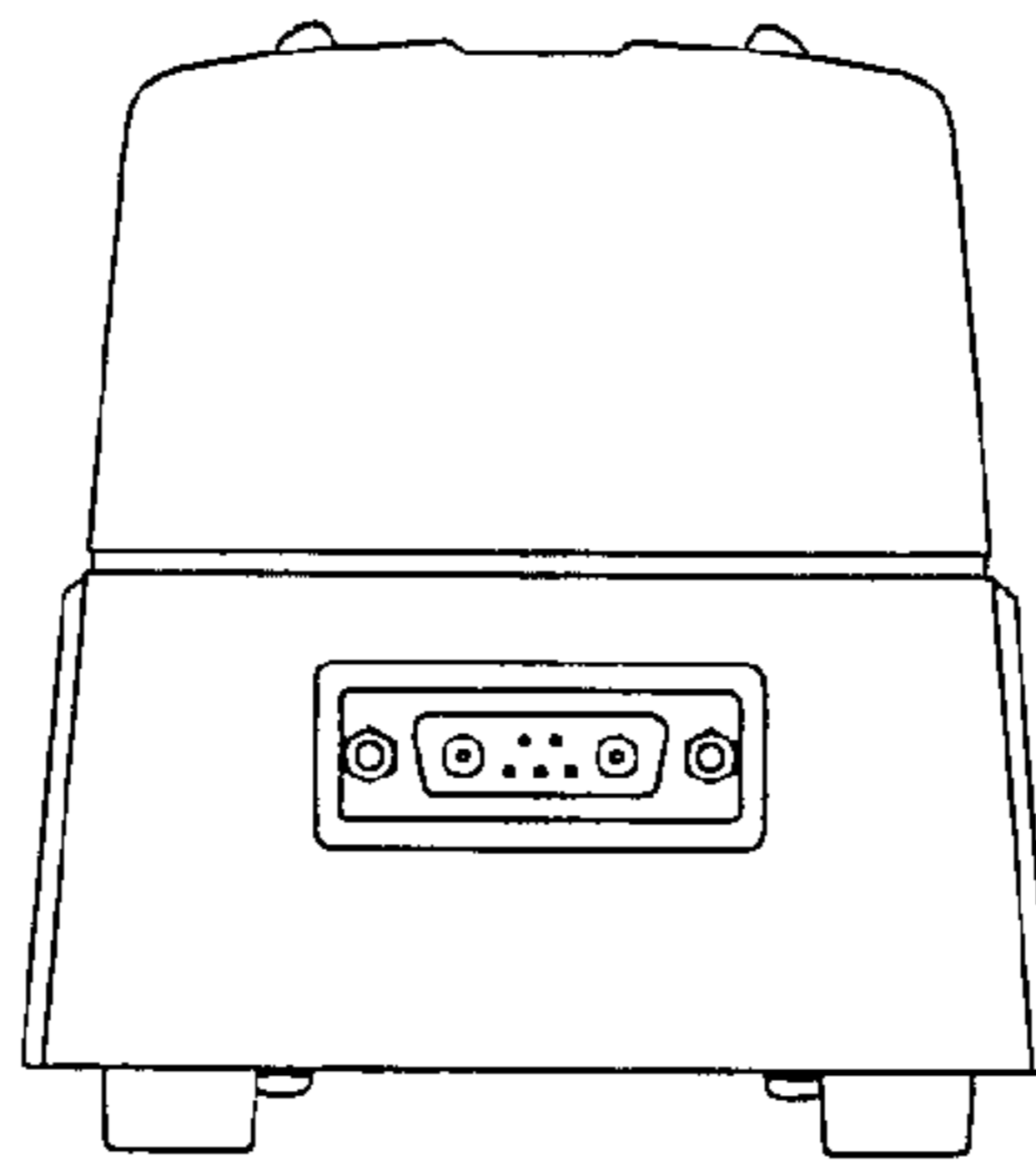


FIG. 3

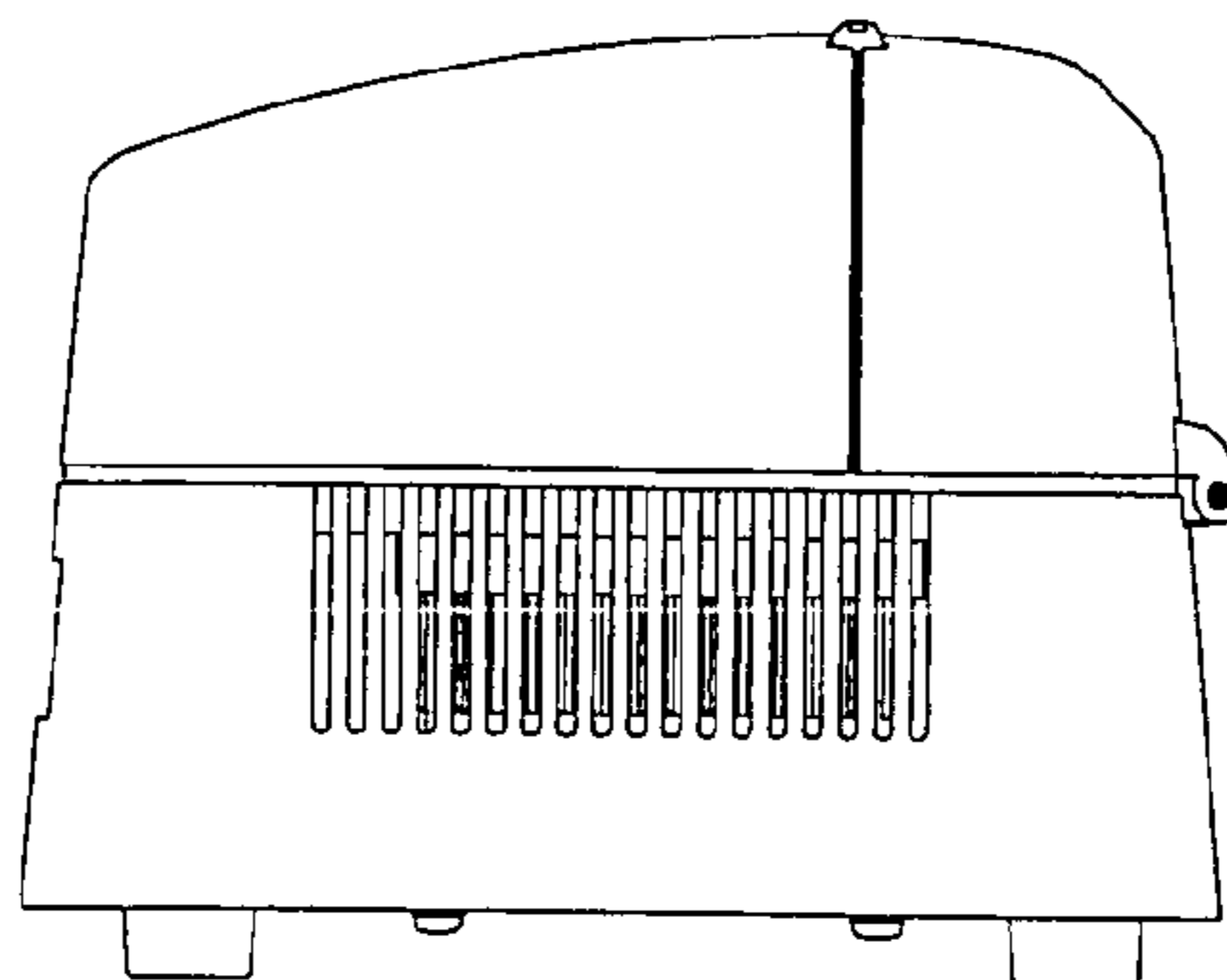


FIG. 4

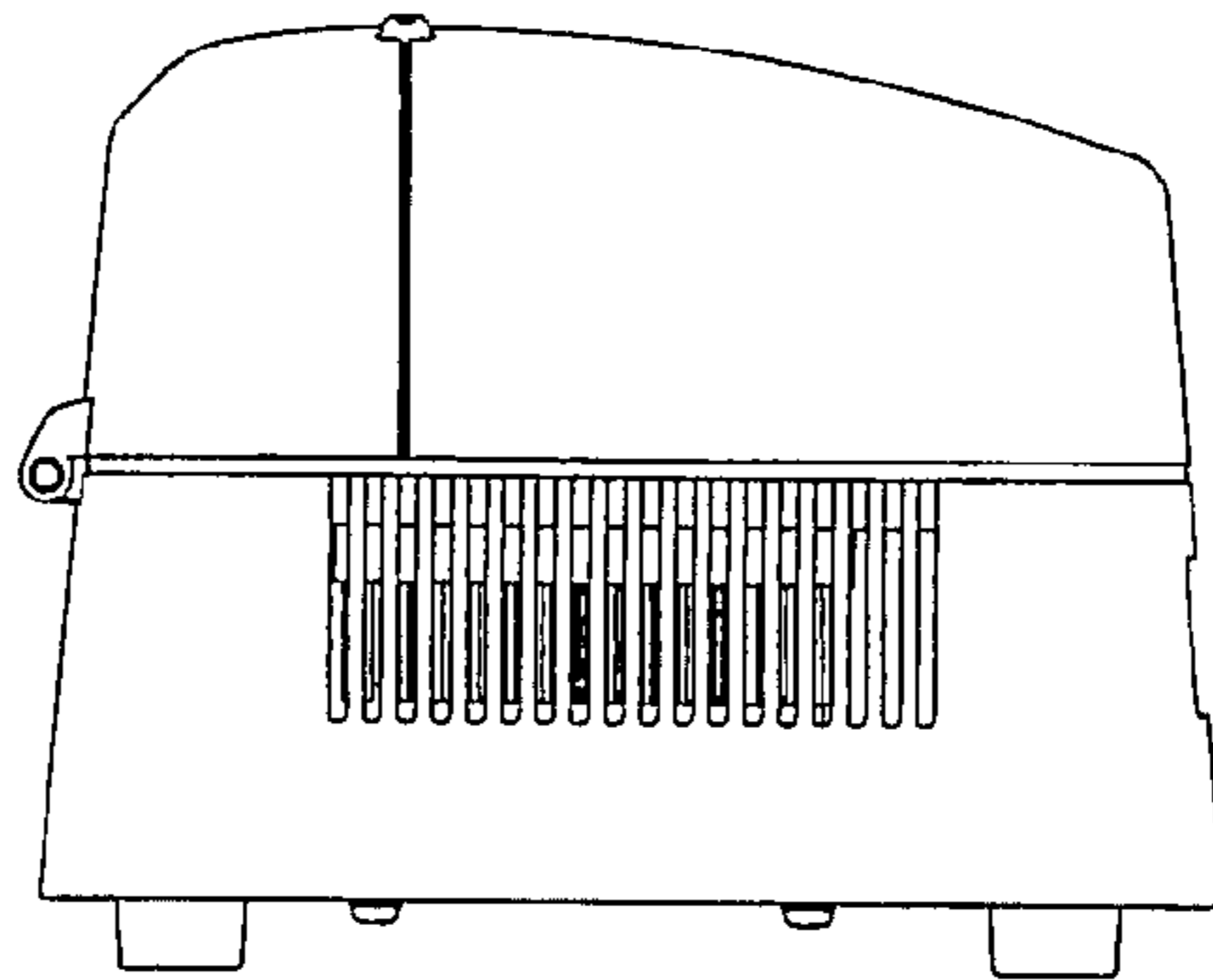


FIG. 5

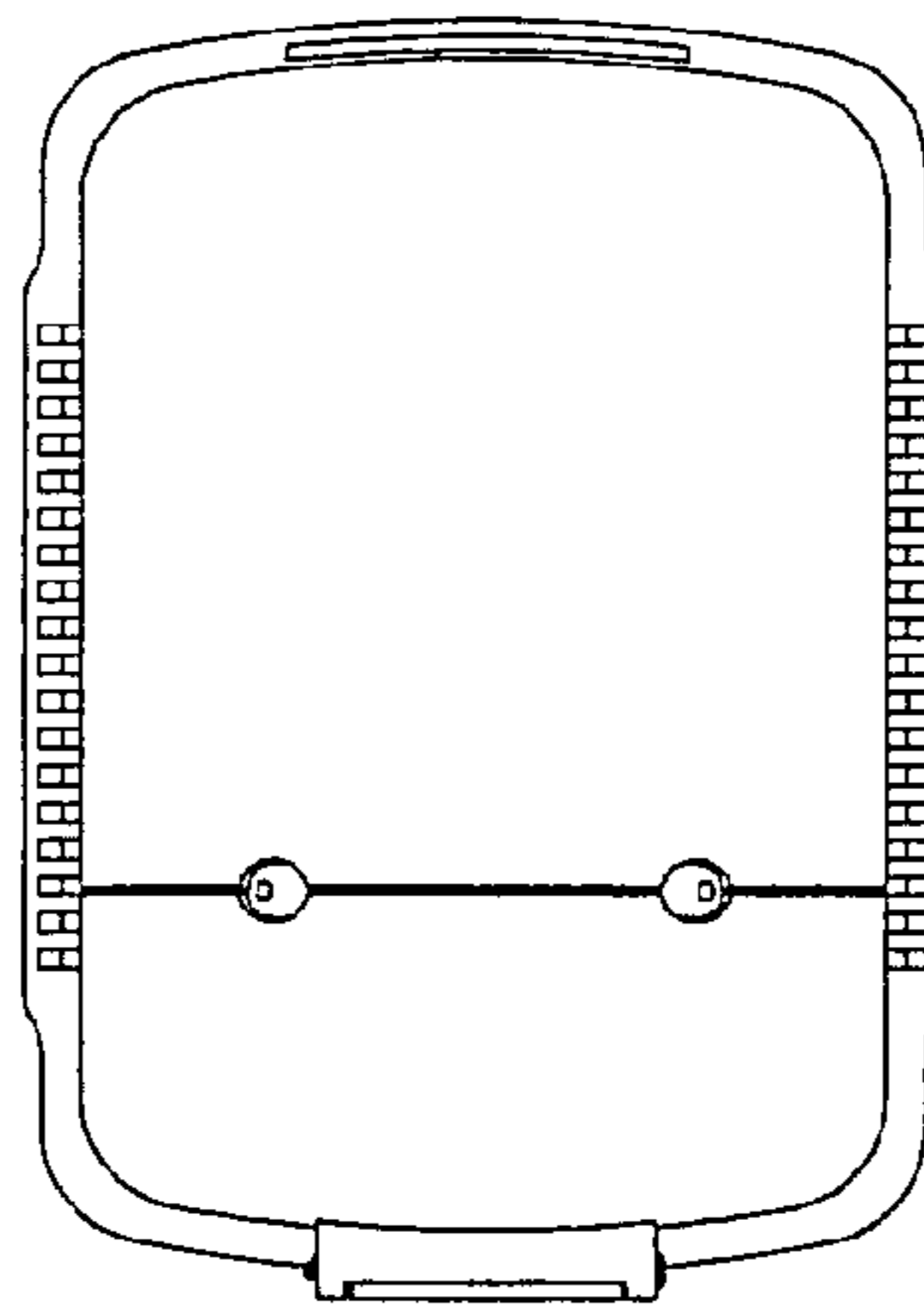


FIG. 6

