



US00D574278S

(12) **United States Design Patent**
Zhang

(10) **Patent No.:** **US D574,278 S**

(45) **Date of Patent:** **** *Aug. 5, 2008**

(54) **DIGITAL CALIPER**

(75) Inventor: **Yanchen Zhang**, San Clemente, CA
(US)

(73) Assignee: **International Precision Instruments Corp.**, San Clemente, CA (US)

(*) Notice: This patent is subject to a terminal disclaimer.

(**) Term: **14 Years**

(21) Appl. No.: **29/270,072**

(22) Filed: **Dec. 14, 2006**

(51) **LOC (8) Cl.** **10-04**

(52) **U.S. Cl.** **D10/73**

(58) **Field of Classification Search** D10/73;
33/783-832, DIG. 12

See application file for complete search history.

(56) **References Cited**

U.S. PATENT DOCUMENTS

D334,719 S * 4/1993 Yeo D10/73
5,477,621 A * 12/1995 Koizumi et al. 33/784

D401,170 S * 11/1998 Reymond D10/73
D444,083 S * 6/2001 Ohtani et al. D10/73
D449,547 S * 10/2001 Reymond D10/73
6,990,746 B2 * 1/2006 Penna et al. 33/784
D522,892 S * 6/2006 Reymond D10/73

* cited by examiner

Primary Examiner—Antoine D. Davis

(74) *Attorney, Agent, or Firm*—Let Z. Kwan, Esq.

(57) **CLAIM**

The ornamental design for a digital caliper, as shown and described.

DESCRIPTION

FIG. 1 is a top, left perspective view of a digital caliper showing my new design;

FIG. 2 is a right side view thereof;

FIG. 3 is a top plan view thereof;

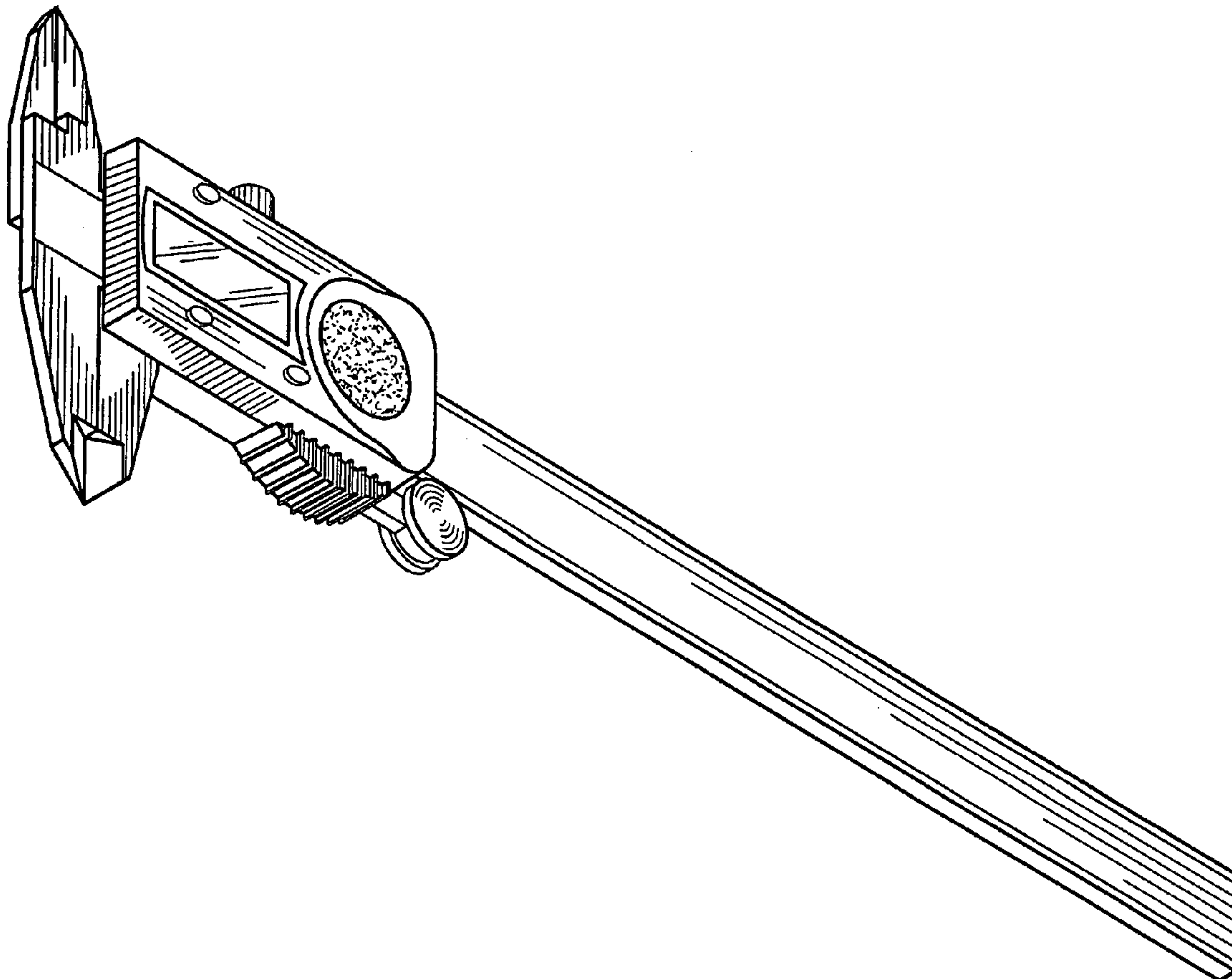
FIG. 4 is a left side view thereof;

FIG. 5 is a bottom plan view thereof;

FIG. 6 is a head on view thereof; and,

FIG. 7 is a rear end view thereof.

1 Claim, 4 Drawing Sheets



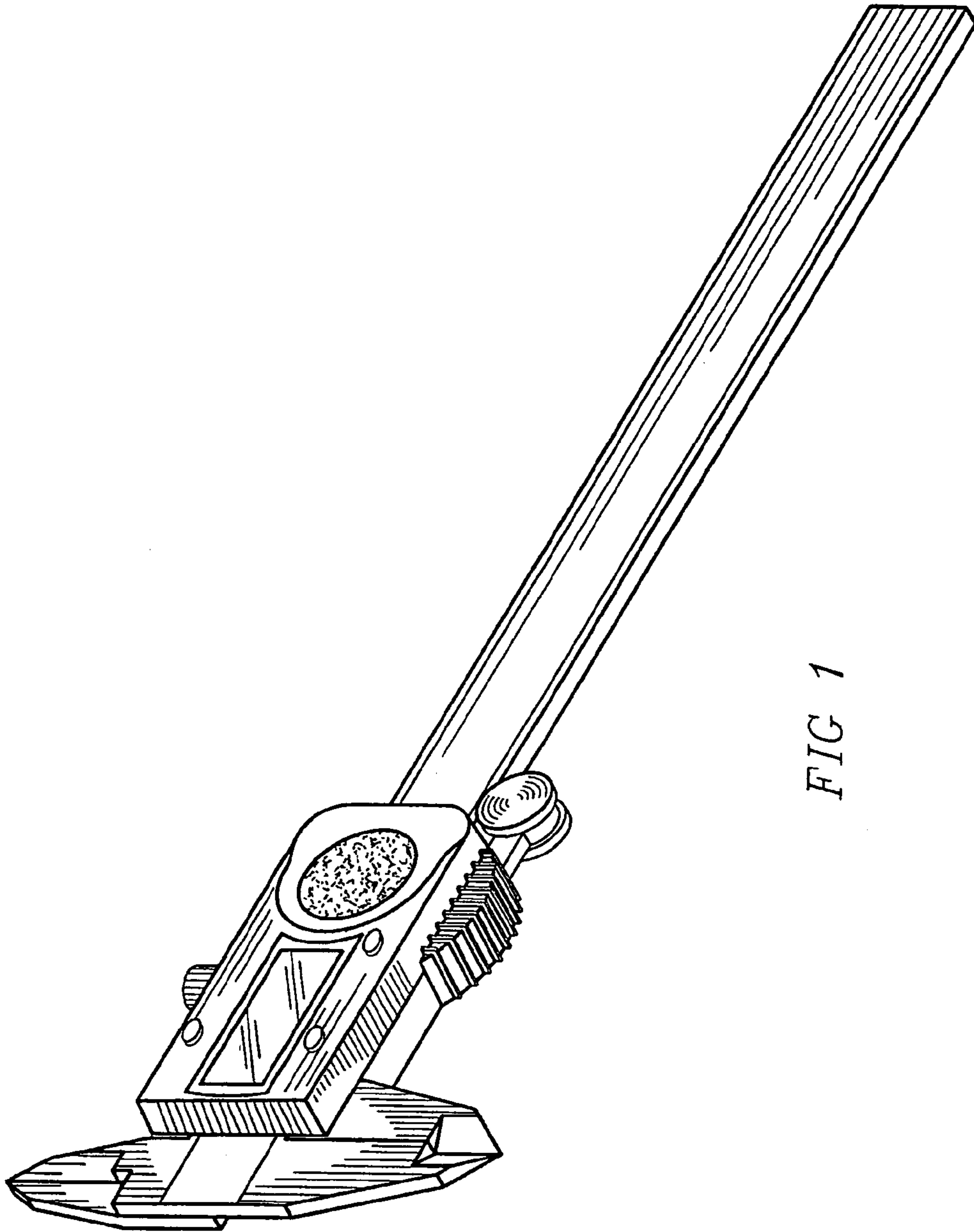


FIG 1

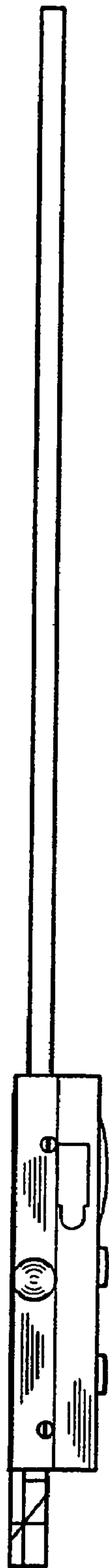


FIG 2

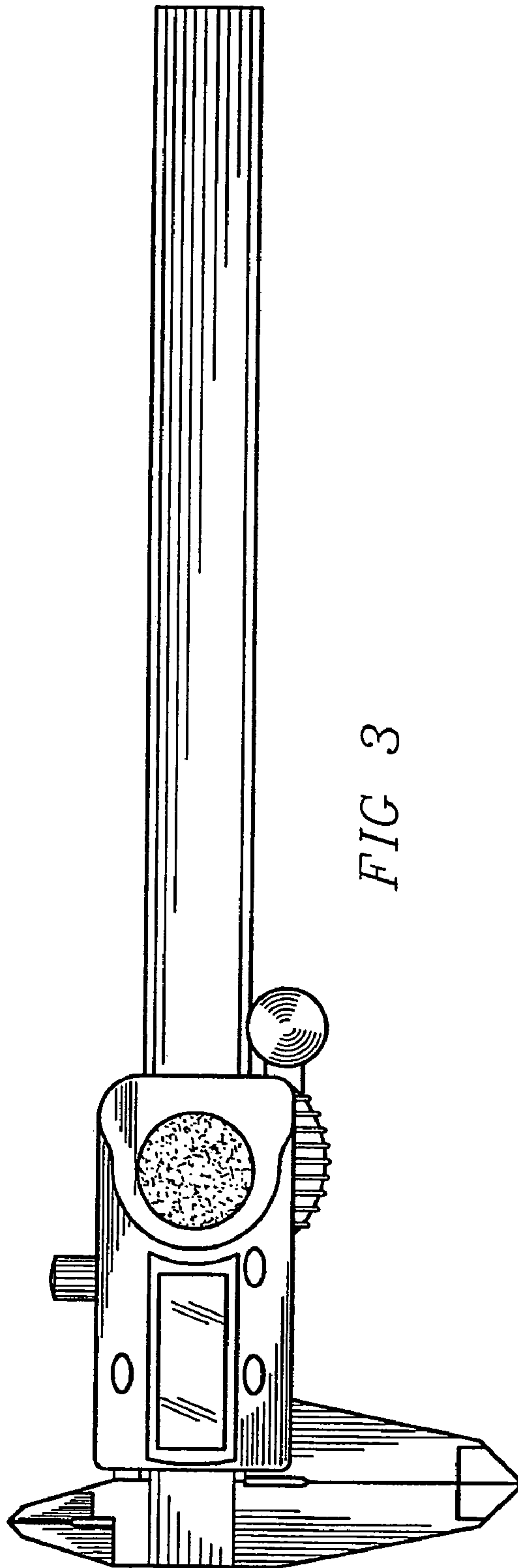


FIG 3



FIG 4

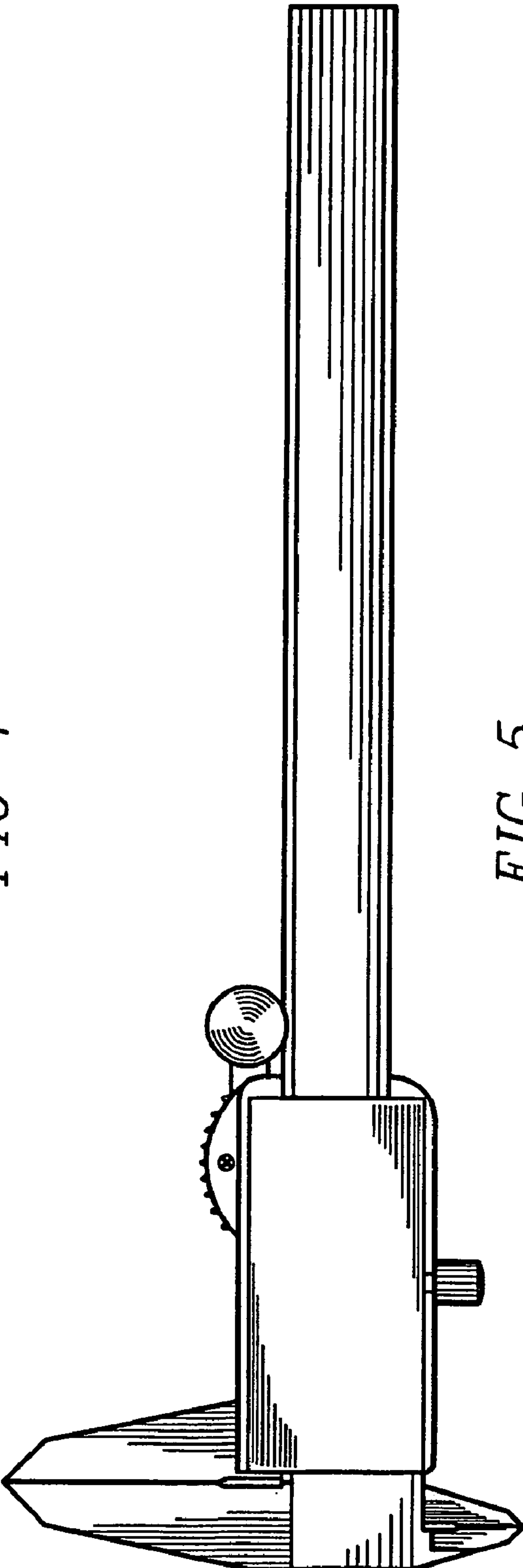


FIG 5

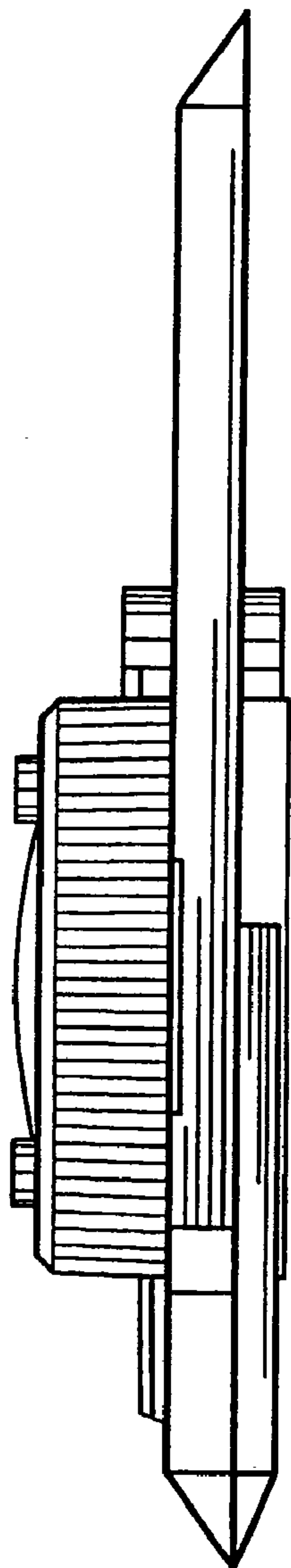


FIG 6

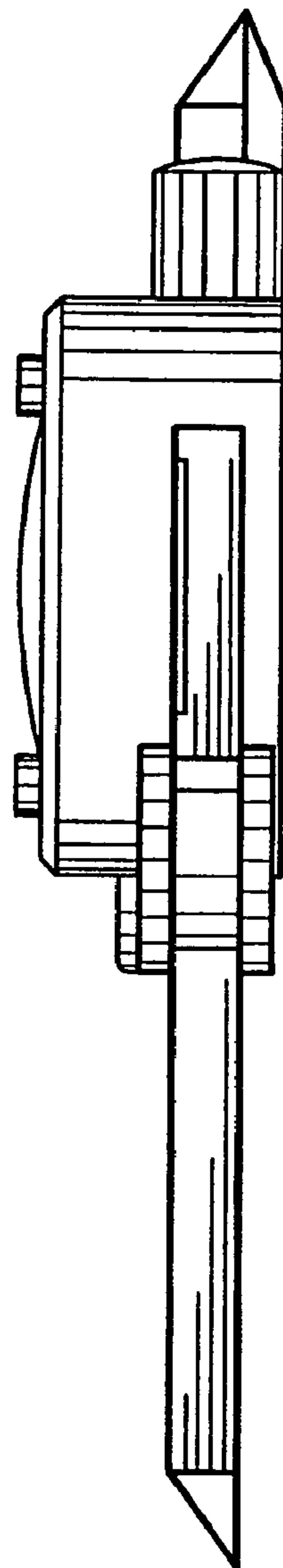


FIG 7