



US00D574276S

(12) **United States Design Patent**
Burkandt

(10) **Patent No.:** **US D574,276 S**

(45) **Date of Patent:** **** Aug. 5, 2008**

(54) **DISTANCE MEASURING DEVICE**
(75) Inventor: **Marco Burkandt**, Isernhagen (DE)
(73) Assignee: **Leica Geosystems AG**, St. Gallen (CH)
(**) Term: **14 Years**
(21) Appl. No.: **29/293,608**
(22) Filed: **Dec. 3, 2007**
(30) **Foreign Application Priority Data**
Jun. 1, 2007 (CH) 133987

7,075,626 B2 * 7/2006 Schmidt et al. 356/5.09
D539,680 S * 4/2007 Liu et al. D10/70
D559,981 S * 1/2008 Williams D10/70
7,363,716 B1 * 4/2008 Tonkinson et al. 33/286

* cited by examiner

Primary Examiner—Antoine D Davis
(74) *Attorney, Agent, or Firm*—Abelman, Frayne & Schwab

(57) **CLAIM**

The ornamental design for a distance measuring device, as shown and described.

(51) **LOC (8) Cl.** **10-04**
(52) **U.S. Cl.** **D10/70**
(58) **Field of Classification Search** D10/70;
33/276, 277, 281, 285, 286, 290, 291–299,
33/DIG. 21; 340/573.1–573.4, 539, 825.36,
340/825.46, 825.49; 356/5.15, 4.01, 5.01,
356/4.05, 5.05–5.09, 5.12, 28.5, 345, 375,
356/3.01, 128–155, 399–400; 385/83, 97–99,
385/134–139; 701/211–213, 150, 158; 264/1.24–1.25
See application file for complete search history.

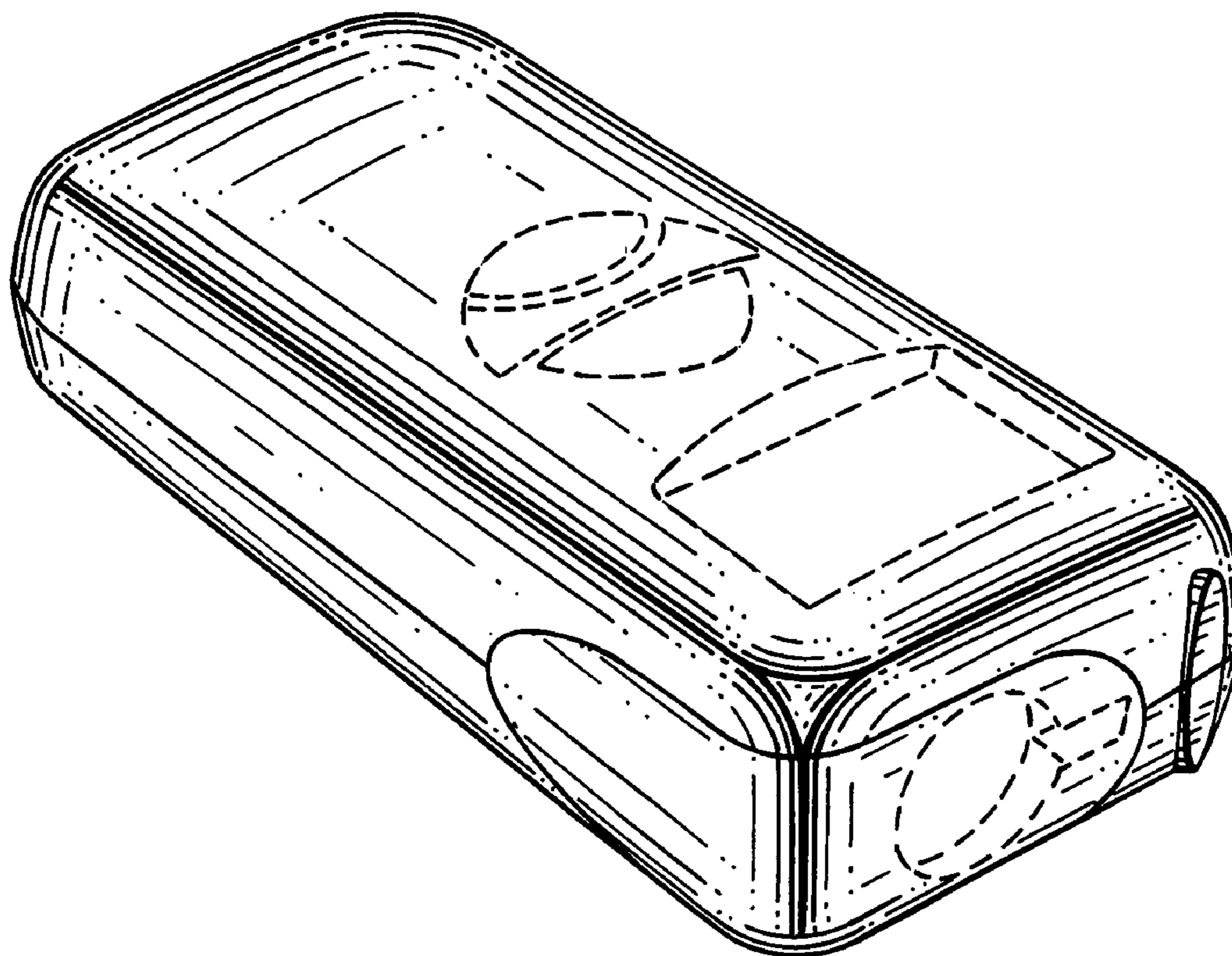
DESCRIPTION

FIG. 1 is a top, front, right side perspective (See attached);
FIG. 2 is left side elevation view thereof;
FIG. 3 is a rear elevation view thereof;
FIG. 4 is a bottom plan view thereof;
FIG. 5 is a top, rear, right side perspective view thereof; and,
FIG. 6 is a view similar to FIG. 1 showing another embodiment of my invention.

The elements shown in broken lines are for illustrative purposes only and form no part of the claimed design.

(56) **References Cited**
U.S. PATENT DOCUMENTS
D478,018 S * 8/2003 Adamosky D10/70

1 Claim, 4 Drawing Sheets



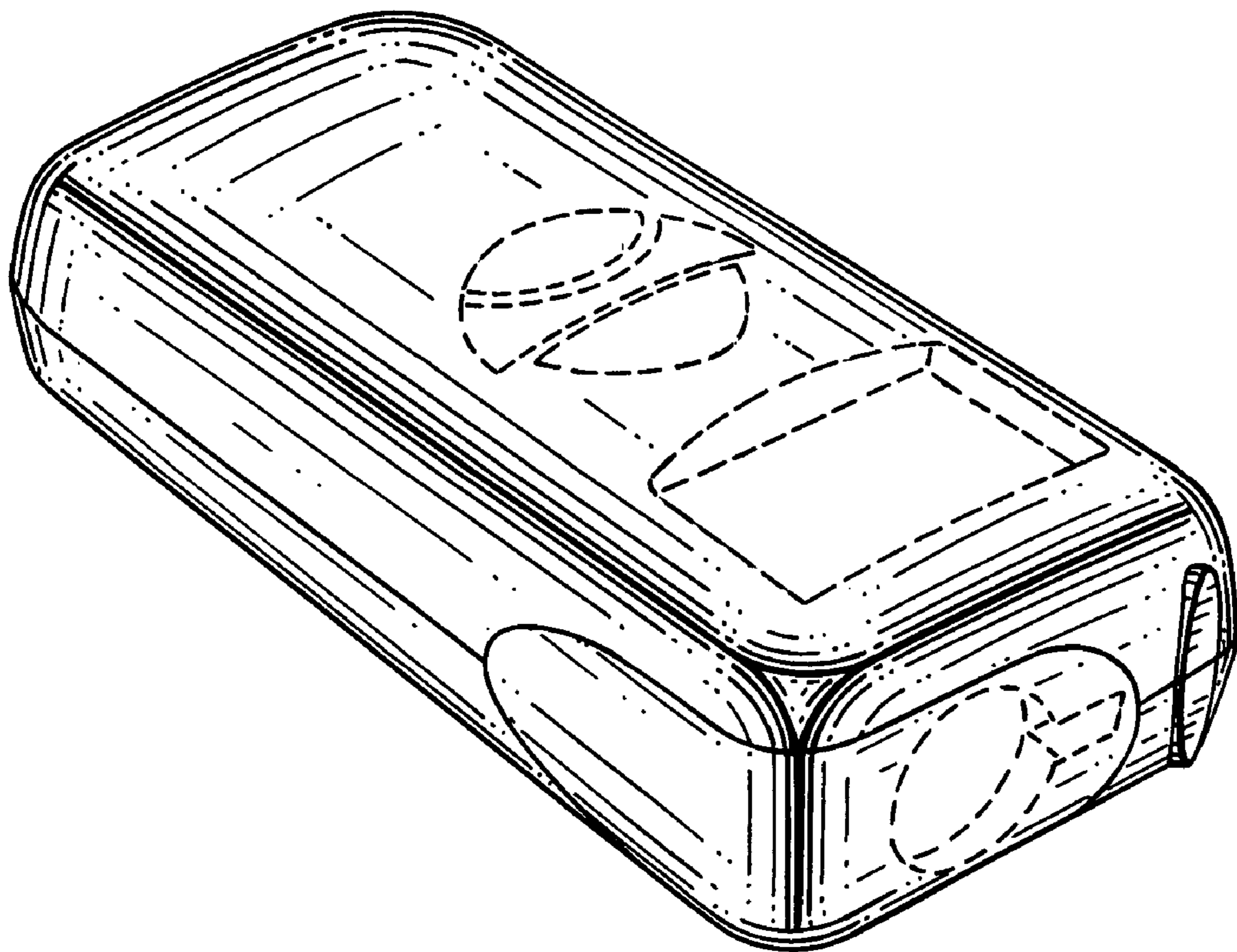


FIG. 1

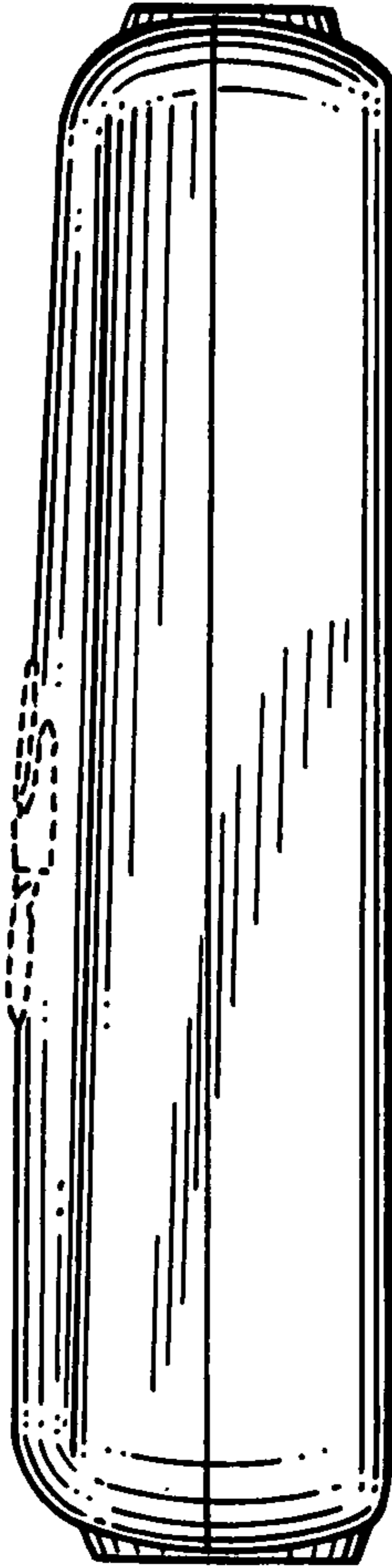


FIG. 2

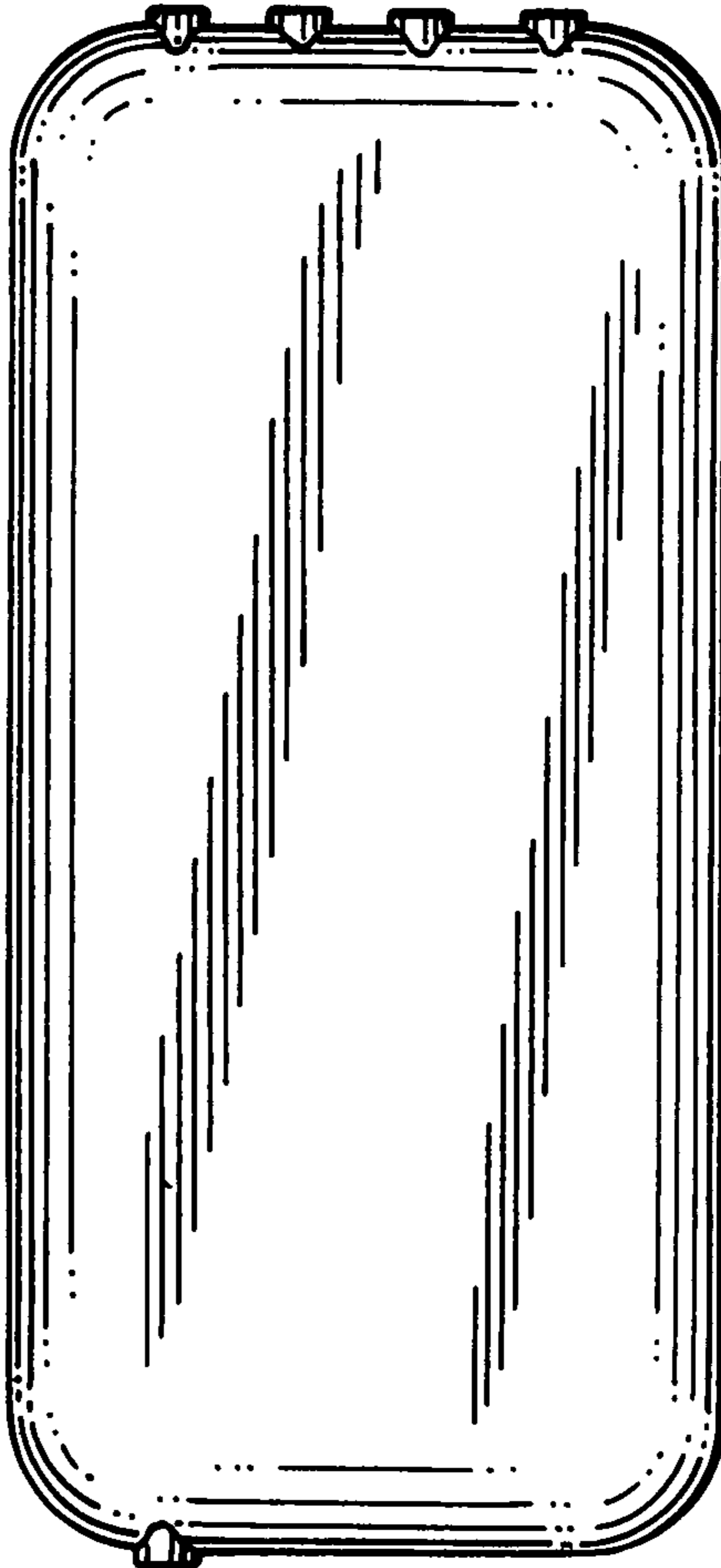


FIG. 4

FIG. 3

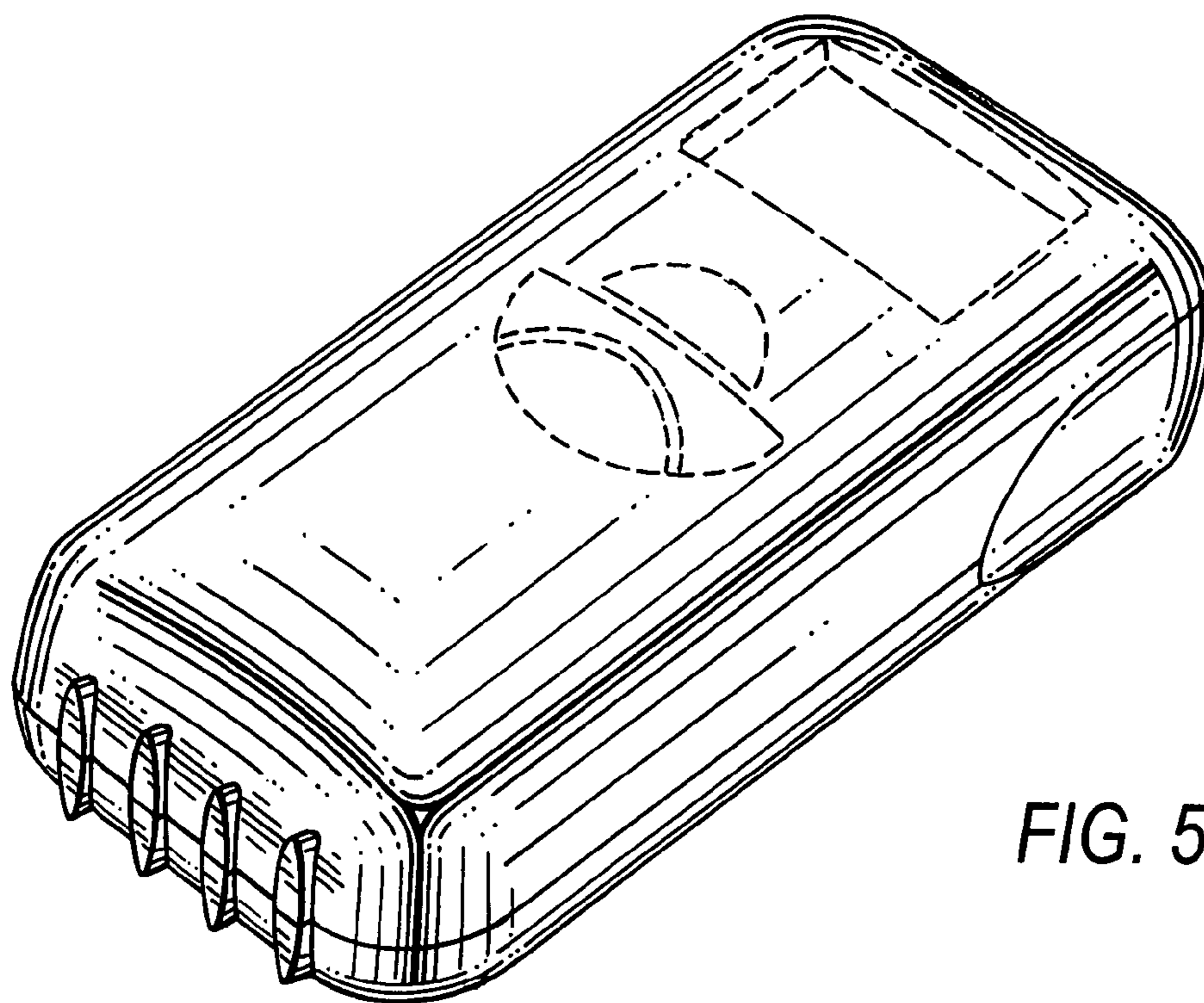
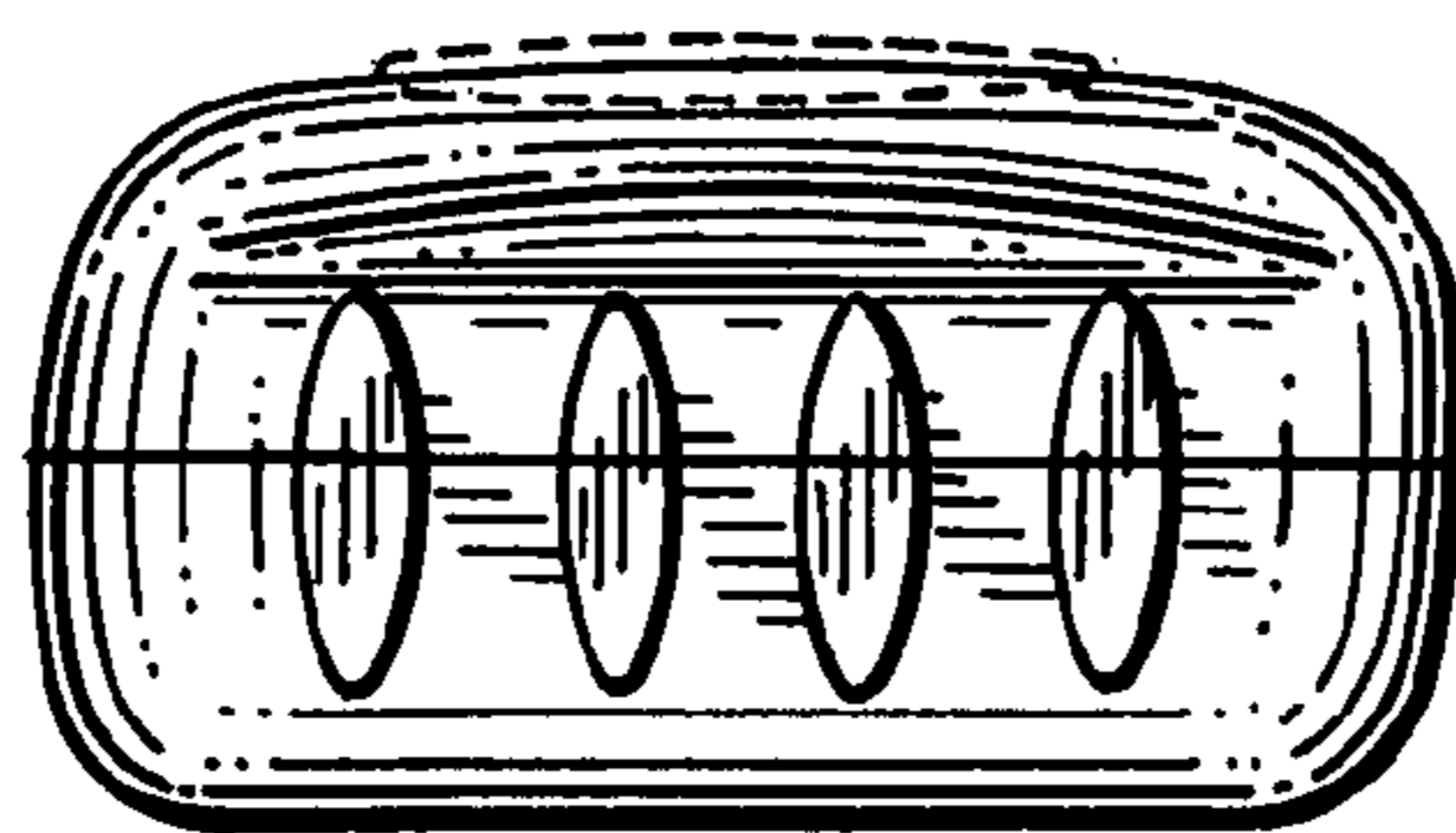


FIG. 5

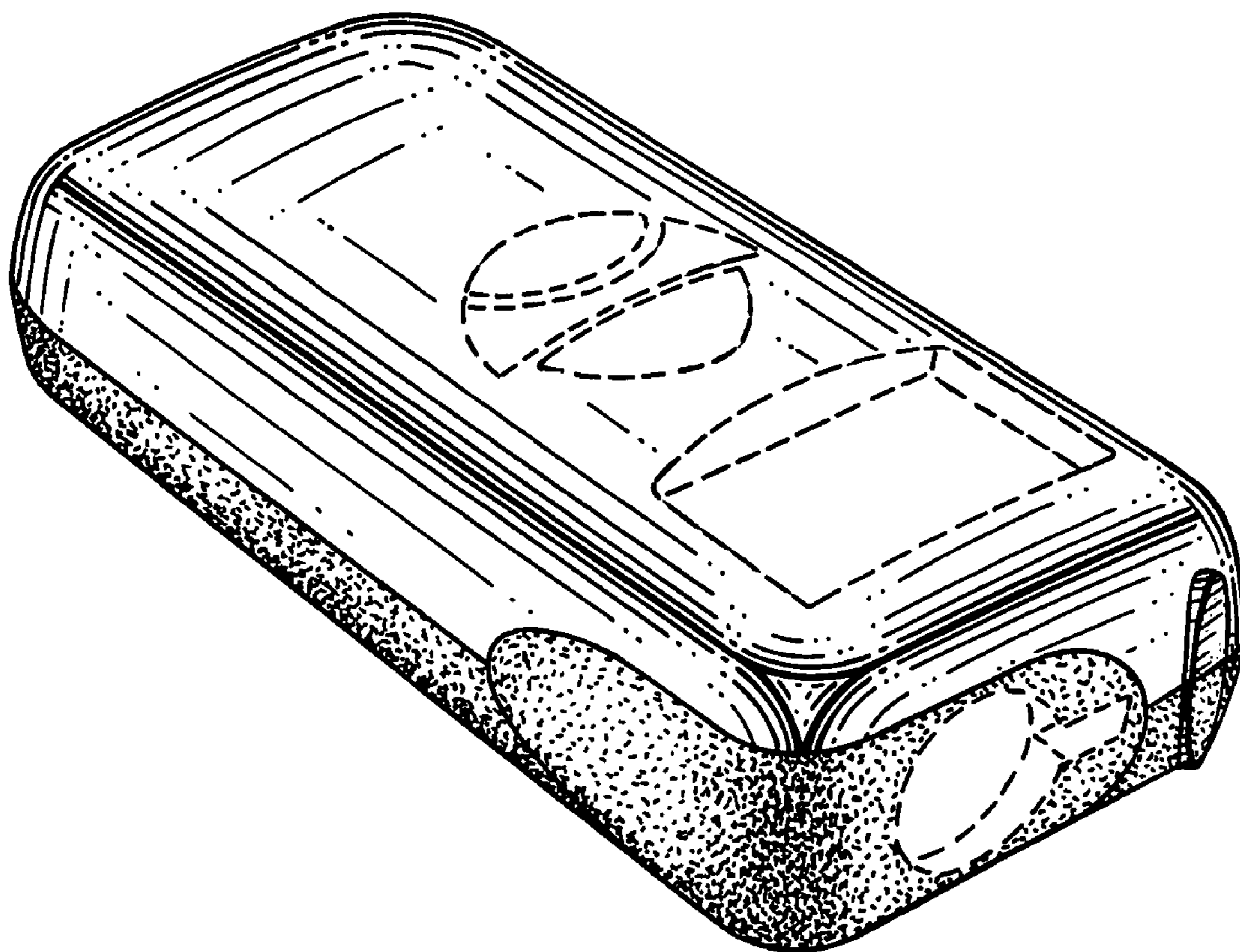


FIG. 6