



US00D574275S

(12) **United States Design Patent**  
**Concari**

(10) **Patent No.:** **US D574,275 S**

(45) **Date of Patent:** **\*\* Aug. 5, 2008**

(54) **LASER**

D528,022 S \* 9/2006 Kallabis ..... D10/69  
D533,093 S \* 12/2006 Reznor ..... D10/69

(75) Inventor: **Gabriel E. Concari**, Eldersburg, MD  
(US)

FOREIGN PATENT DOCUMENTS

(73) Assignee: **Black & Decker Inc.**, Newark, DE (US)

|    |                |         |
|----|----------------|---------|
| DE | M9503421       | 7/1996  |
| DE | M9508110       | 8/1996  |
| DE | M9805860       | 2/1999  |
| DE | 49902944       | 8/1999  |
| DE | 40406799       | 9/2005  |
| EM | 000212626-0001 | 10/2004 |
| EM | 000212626-0002 | 10/2004 |
| EM | 000423439-0001 | 12/2005 |
| EM | 000445333-0001 | 2/2006  |
| WO | DM/062125      | 1/2003  |

(\*\*) Term: **14 Years**

(21) Appl. No.: **29/288,465**

(22) Filed: **Jun. 12, 2007**

(51) **LOC (8) Cl.** ..... **10-04**

(52) **U.S. Cl.** ..... **D10/69**

(58) **Field of Classification Search** ..... D10/69;  
356/5.15, 4.01, 5.01, 4.05, 5.05-5.09, 5.12,  
356/28.5, 345, 375, 3.01, 128-155, 399-400;  
385/83, 978-99, 134-139; 701/211-213,  
701/150, 158; 264/1.24-1.25; 33/276, 277,  
33/281, 285, 286, 290, 291-299, DIG. 21;  
340/573.1-573.4, 539, 825.36, 825.46, 825.49,  
340/357.02

See application file for complete search history.

\* cited by examiner

*Primary Examiner*—Antoine D Davis

(74) *Attorney, Agent, or Firm*—Mehul R. Jani; Adan Ayala

(57) **CLAIM**

The ornamental design for a laser, as shown and described.

**DESCRIPTION**

FIG. 1 is a perspective view of a laser.

FIG. 2 is a front view thereof.

FIG. 3 is a rear view thereof.

FIG. 4 is a left side view thereof.

FIG. 5 is a right side view thereof.

FIG. 6 is top view thereof; and,

FIG. 7 is a bottom view thereof.

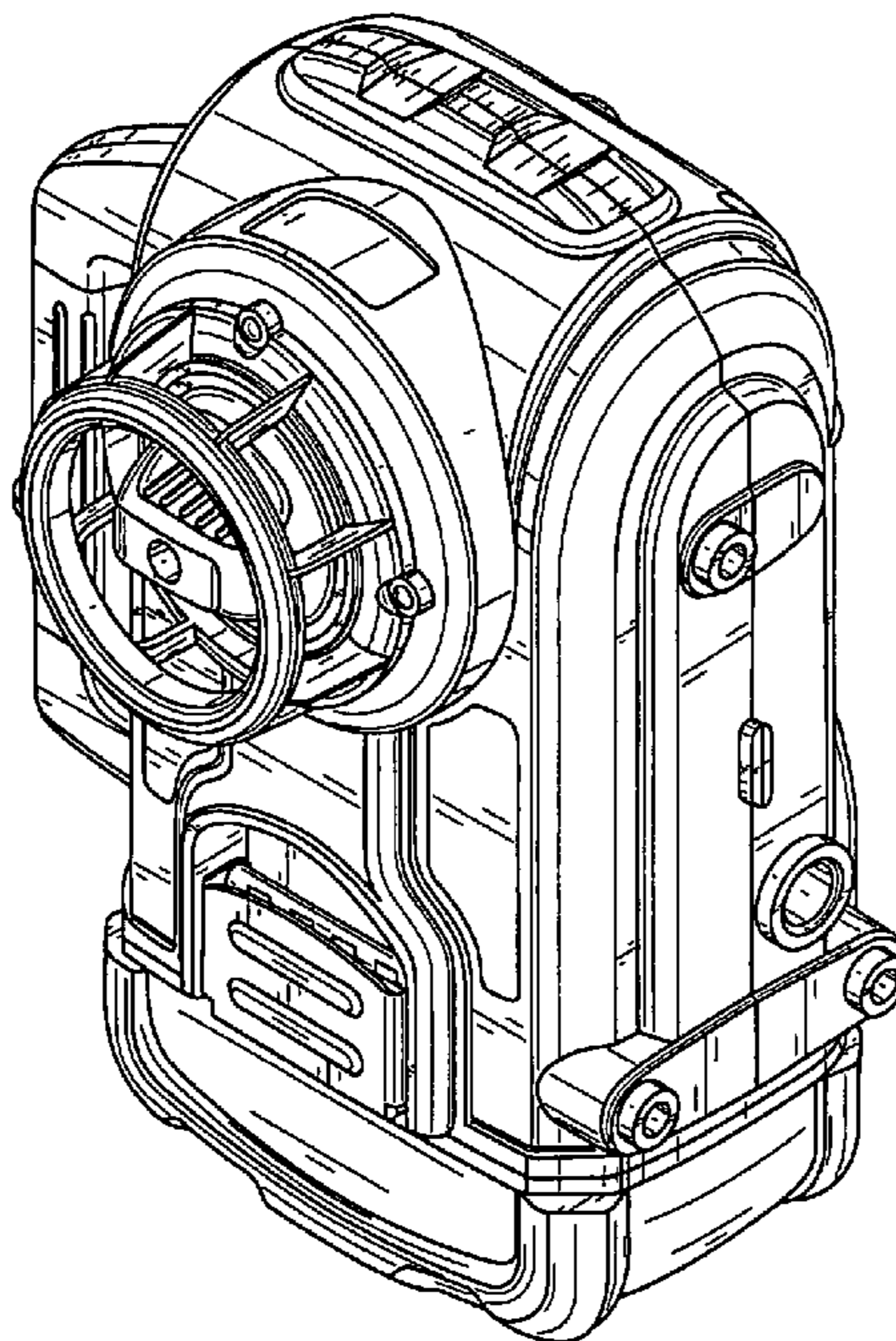
Any broken lines in the drawings are for illustrative purposes only and form no part of the claimed design.

(56) **References Cited**

U.S. PATENT DOCUMENTS

|            |         |                 |
|------------|---------|-----------------|
| D429,481 S | 8/2000  | Ishii           |
| D461,135 S | 8/2002  | Watson et al.   |
| D464,578 S | 10/2002 | Zurwelle        |
| D469,369 S | 1/2003  | Durkin          |
| D469,738 S | 2/2003  | Ishii           |
| D474,985 S | 5/2003  | Cooper et al.   |
| D475,938 S | 6/2003  | Lopano          |
| D494,483 S | 8/2004  | Marshall et al. |
| D504,831 S | 5/2005  | Snider          |
| D504,832 S | 5/2005  | Snider et al.   |

**1 Claim, 6 Drawing Sheets**



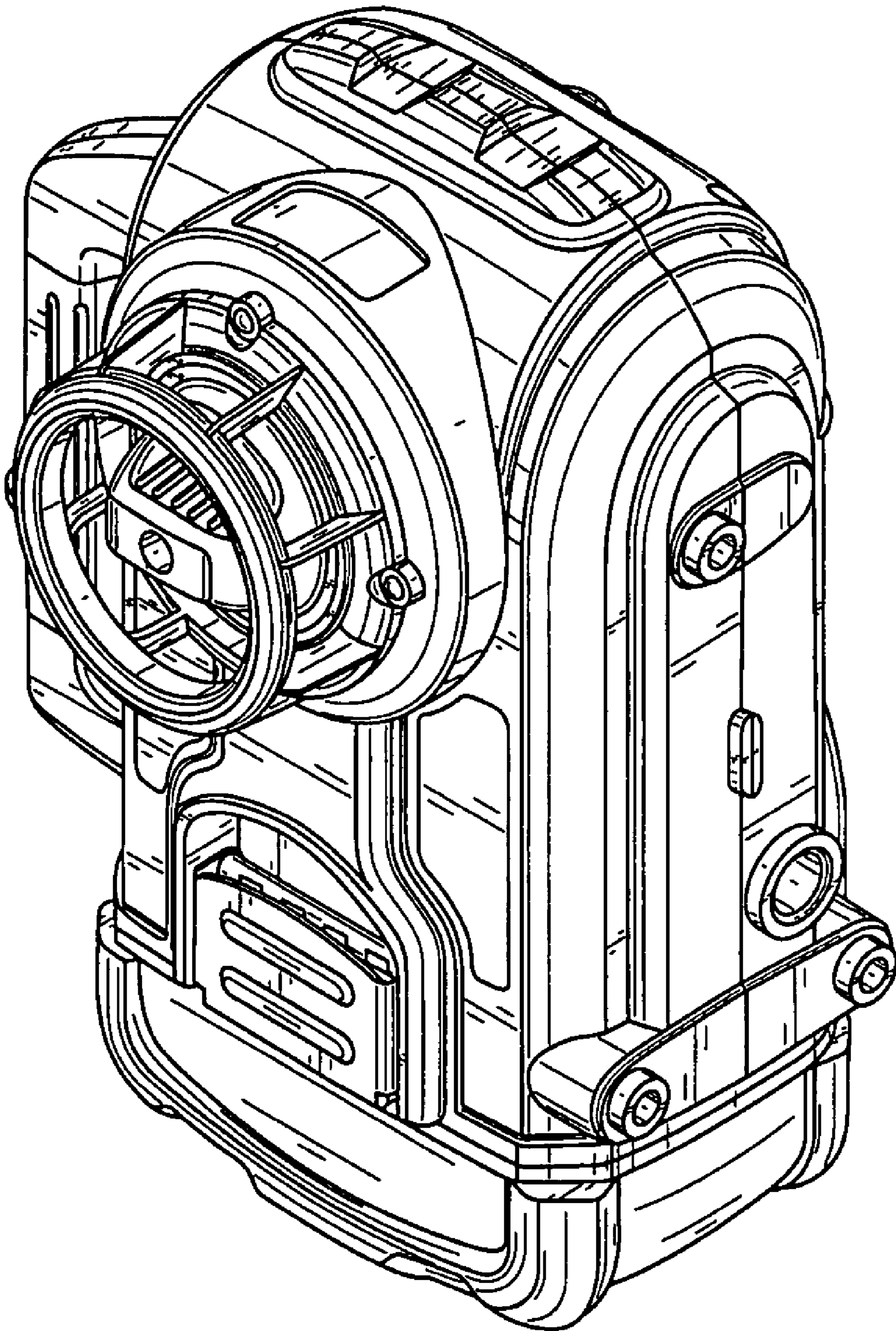


FIG. 1

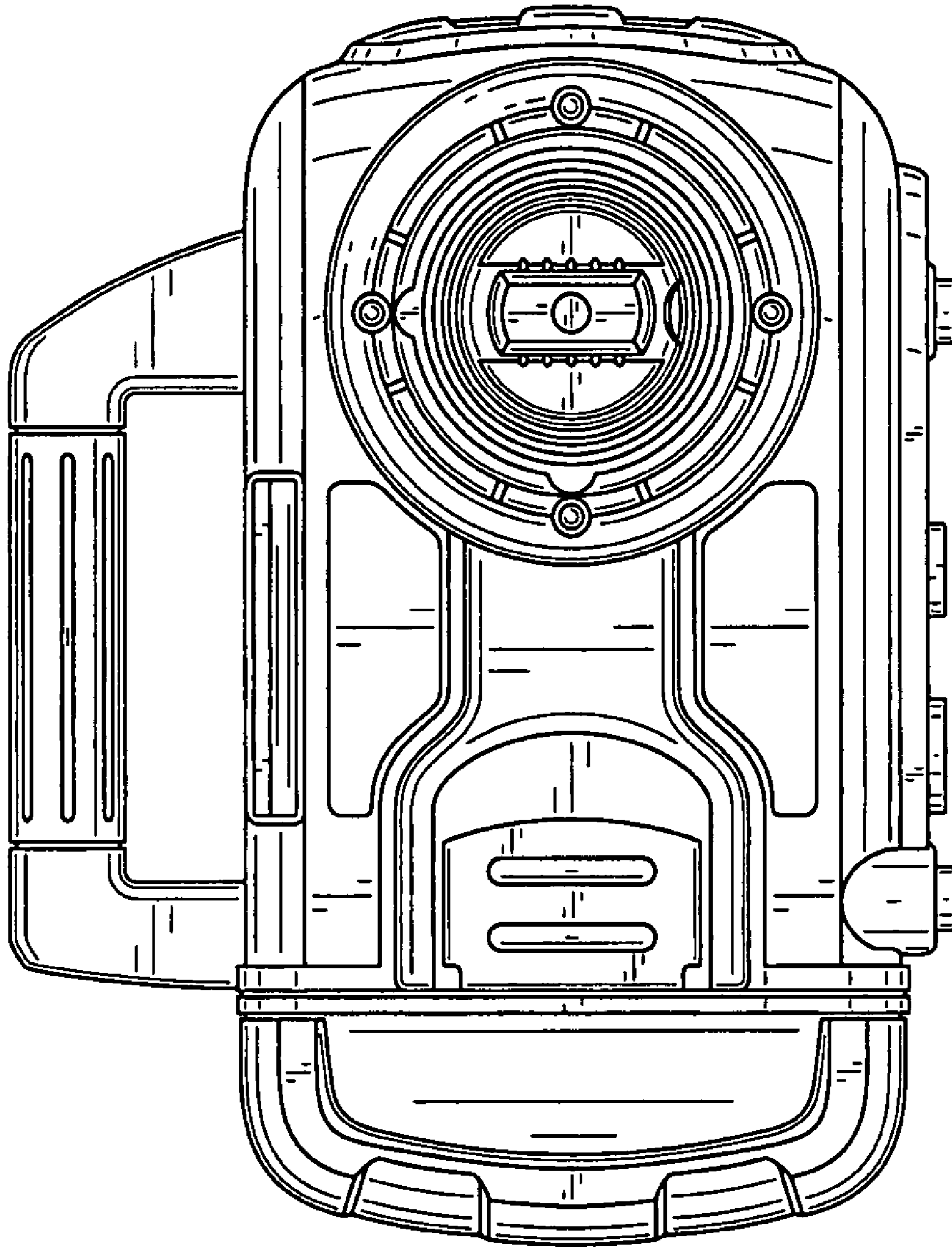


FIG. 2



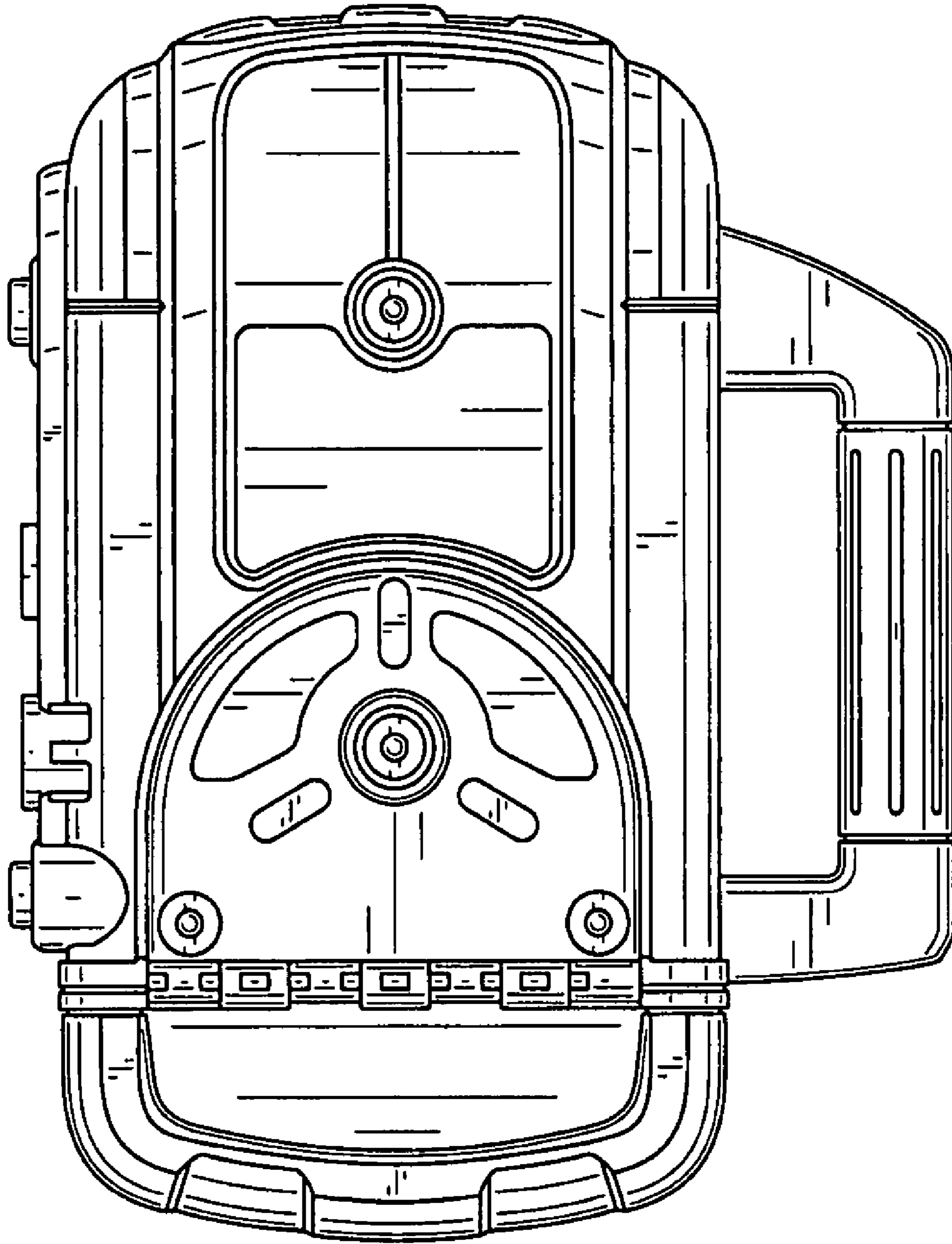


FIG. 3

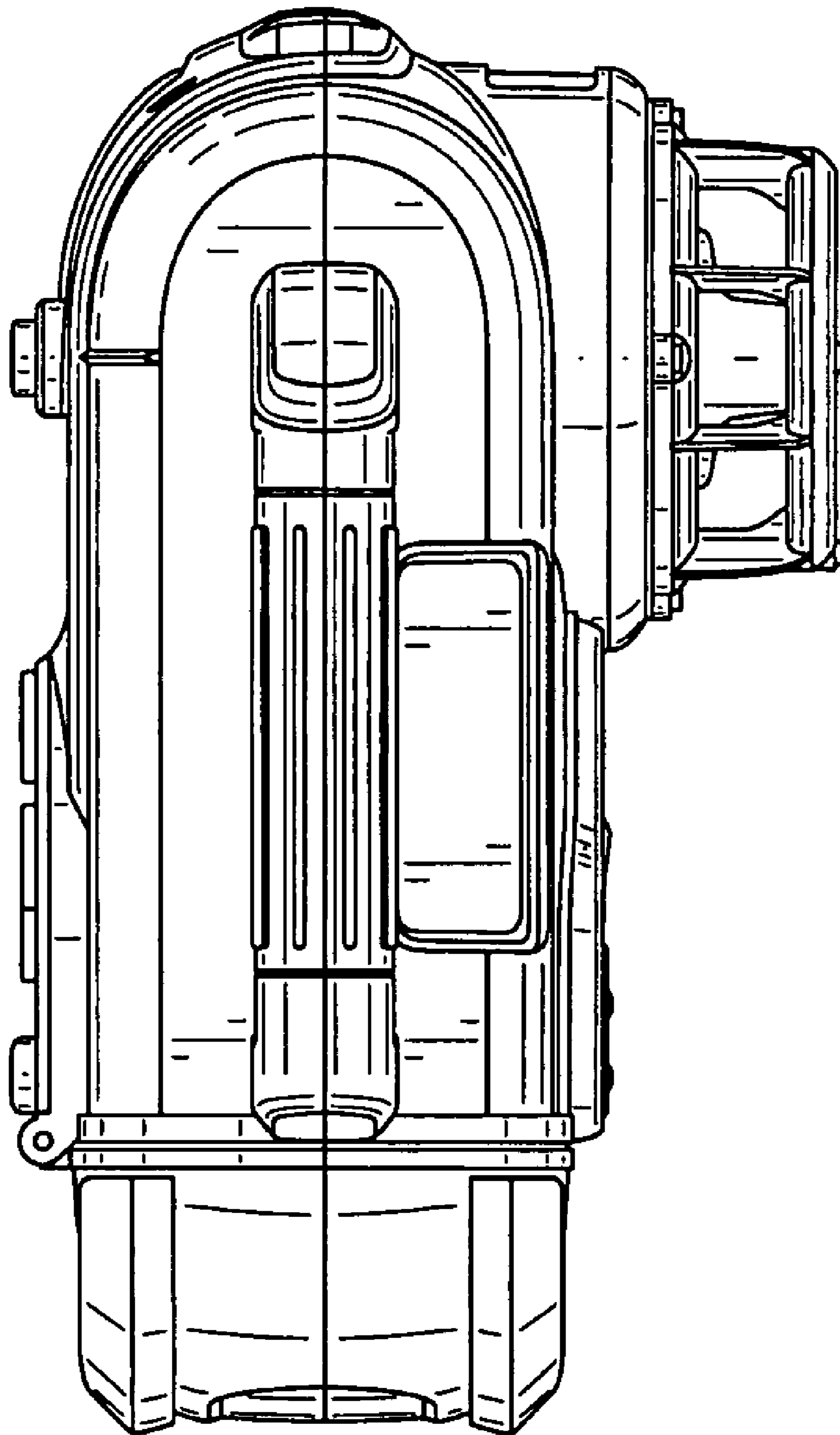


FIG. 4

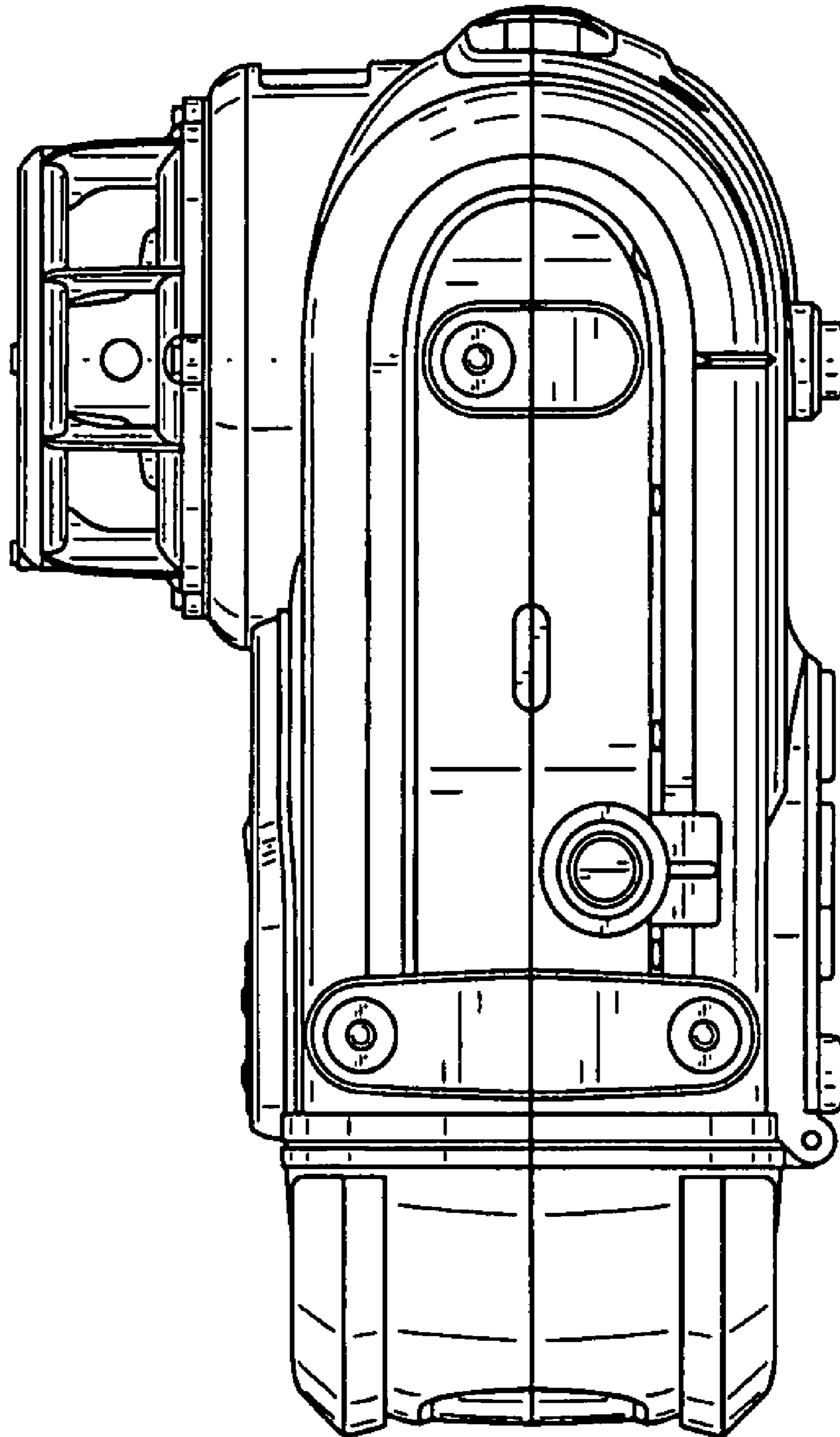


FIG. 5

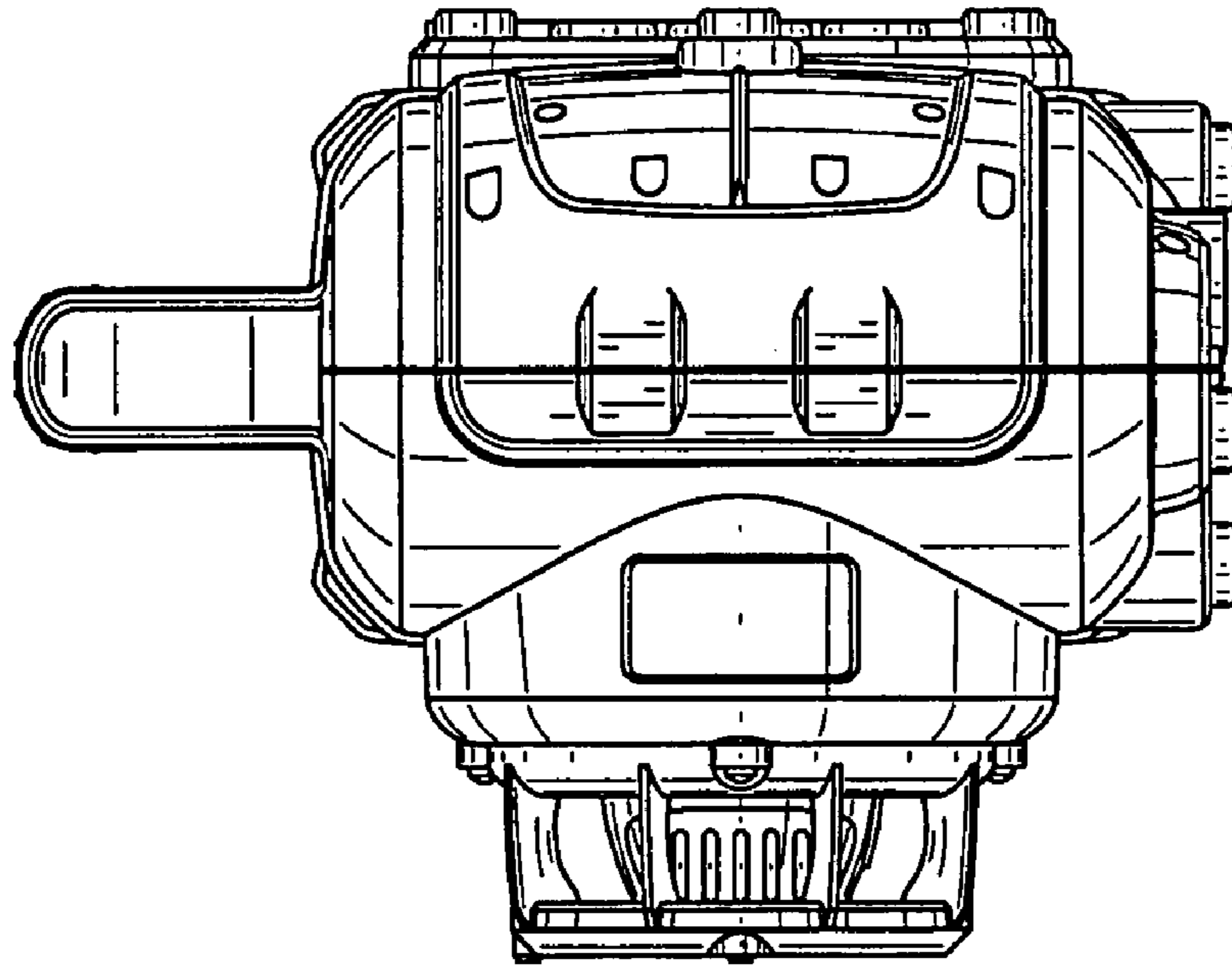


FIG. 6

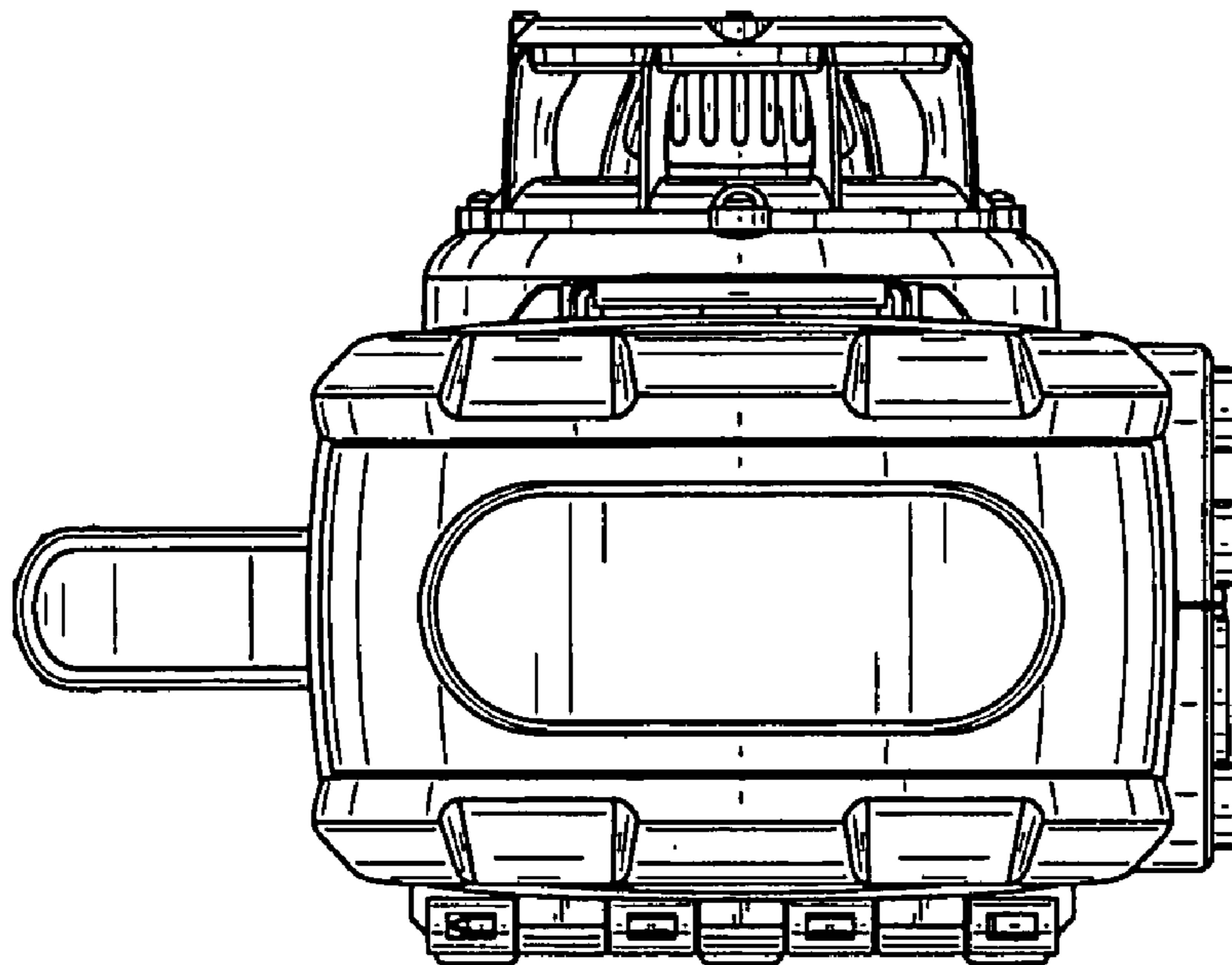


FIG. 7