

US00D574274S

(12) **United States Design Patent**
D'Olimpia

(10) **Patent No.:** **US D574,274 S**

(45) **Date of Patent:** **** Aug. 5, 2008**

(54) **THREADED LASER SIGHT AND LEVEL TOOL**

(76) Inventor: **Jon A. D'Olimpia**, 21 Beaver St.,
Whitman, MA (US) 02382-1721

(**) Term: **14 Years**

(21) Appl. No.: **29/286,566**

(22) Filed: **May 11, 2007**

(51) **LOC (8) Cl.** **10-04**

(52) **U.S. Cl.** **D10/69**

(58) **Field of Classification Search** D10/69,
D10/74; 33/286, 227, 333, 529, 533, 645,
33/DIG. 21; 356/399, 138; 362/259; 372/109
See application file for complete search history.

(56) **References Cited**

U.S. PATENT DOCUMENTS

2,789,363	A	4/1957	Miley
4,593,475	A	6/1986	Mayes
D296,085	S	6/1988	Tsolkas
4,947,556	A	8/1990	Peil
D338,414	S	8/1993	Farrell, III
5,568,265	A	10/1996	Matthews
5,604,987	A	2/1997	Cupp
5,653,036	A	8/1997	Dansereau
6,124,935	A	9/2000	Matthews
6,286,219	B1	9/2001	Palumbo, II

6,393,708	B1	5/2002	Culver et al.
6,532,676	B2	3/2003	Cunningham
6,996,911	B1	2/2006	Dinius
7,155,834	B2	1/2007	Palumbo, III
2006/0207115	A1*	9/2006	Truche et al. 33/286
2007/0204473	A1*	9/2007	Dillon 33/286

* cited by examiner

Primary Examiner—Antoine D Davis

(74) *Attorney, Agent, or Firm*—John P. McGonagle

(57) **CLAIM**

The ornamental design for a threaded laser sight and level tool, as shown and described.

DESCRIPTION

FIG. 1 is a front perspective view of a threaded laser sight and level tool embodying my new design, wherein a pipe is shown in broken lines for illustrative purposes only and forms no part of the claimed design;

FIG. 2 is a front view thereof;

FIG. 3 is left side view thereof;

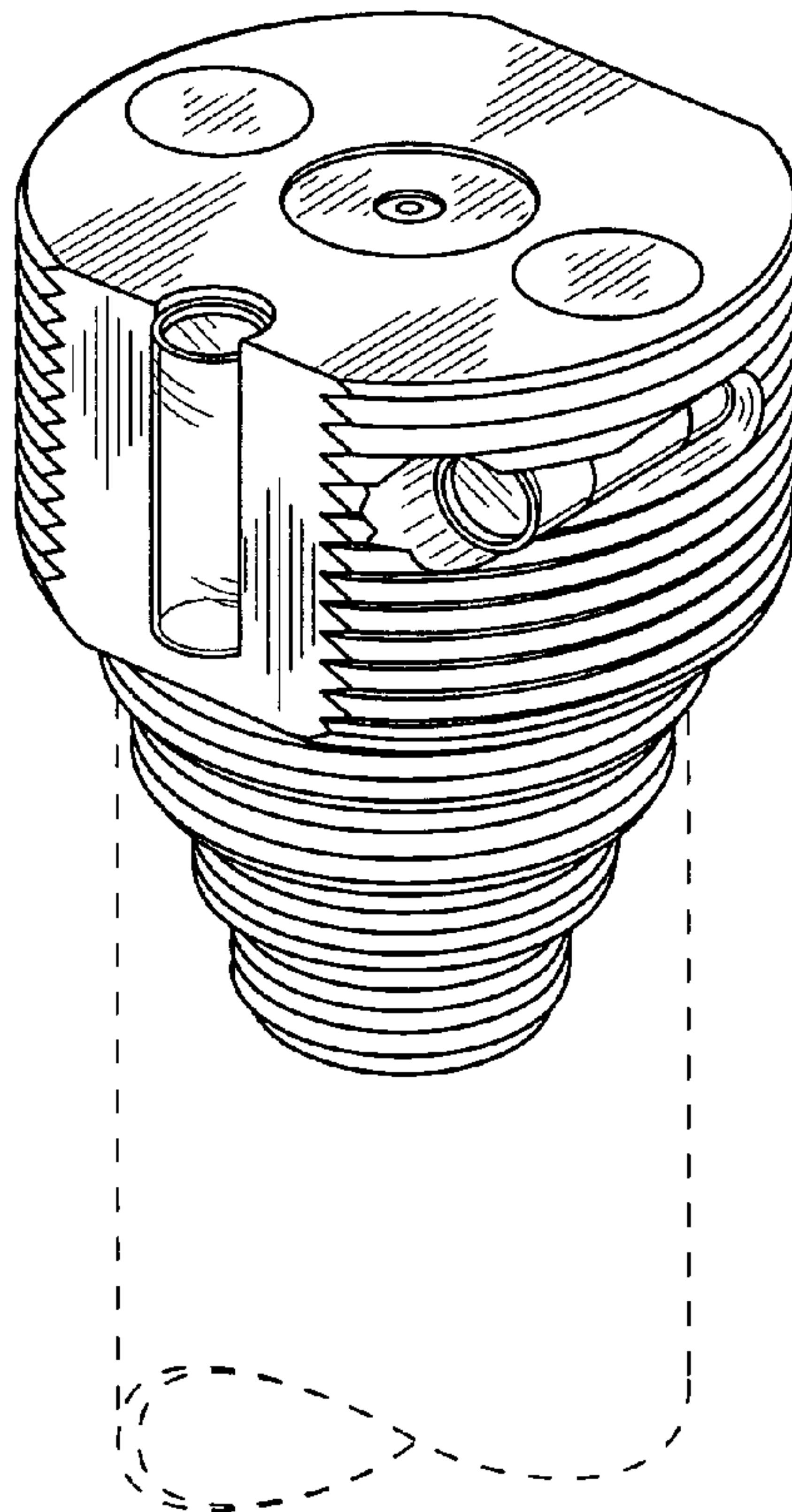
FIG. 4 is a rear view thereof;

FIG. 5 is a right side view thereof;

FIG. 6 is a top view thereof; and,

FIG. 7 is a bottom view thereof.

1 Claim, 2 Drawing Sheets



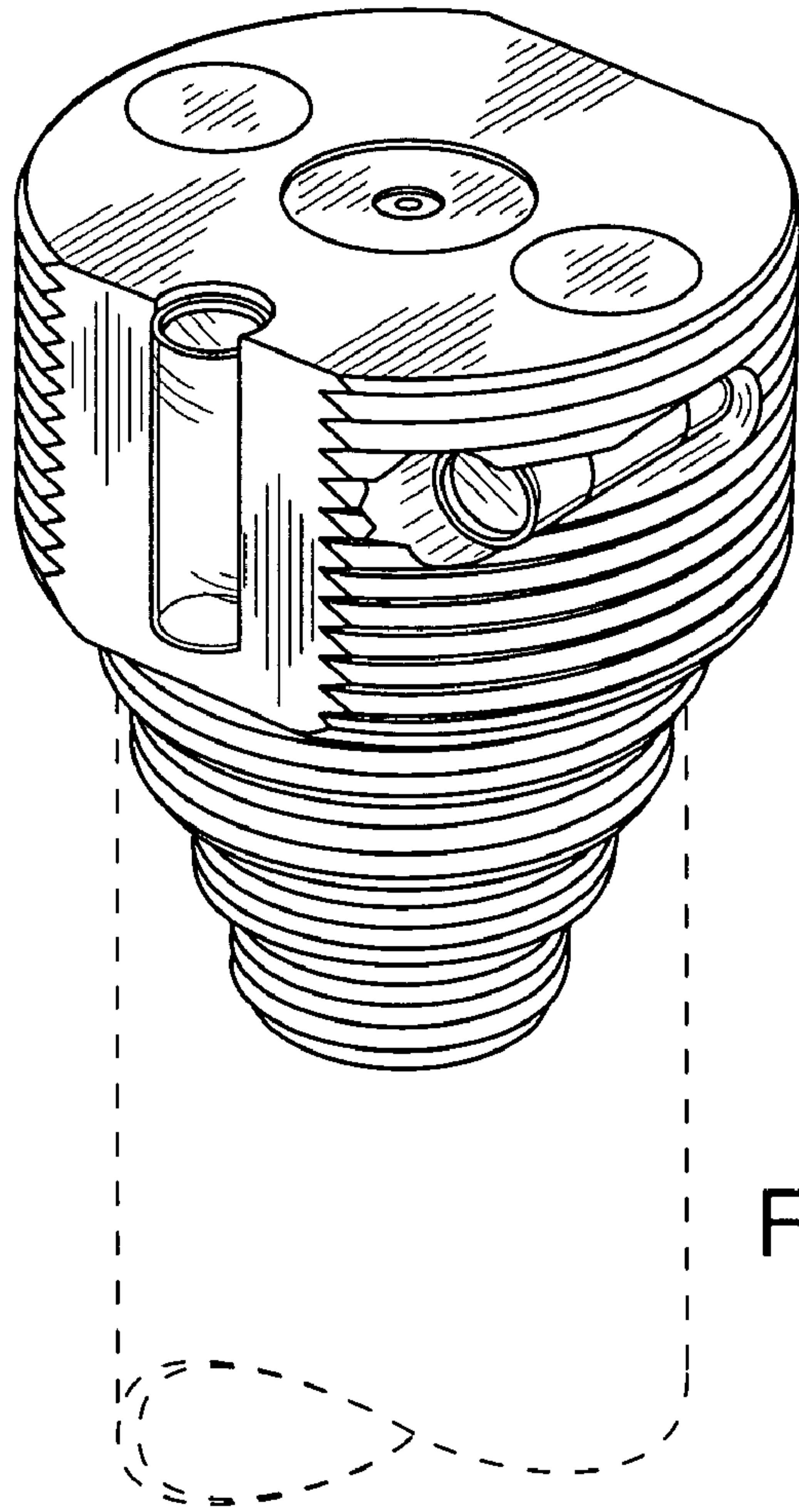


FIG. 1

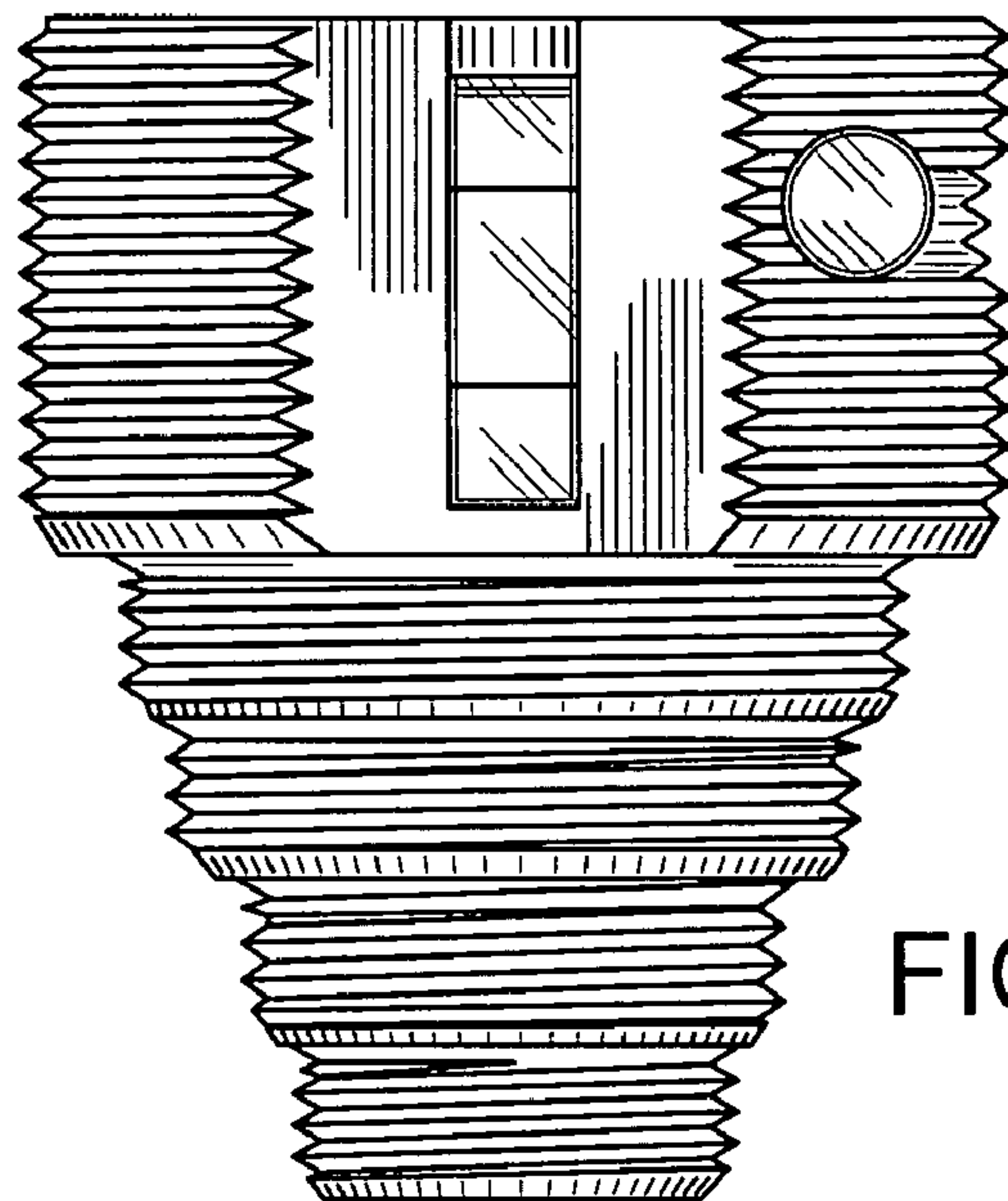


FIG. 2

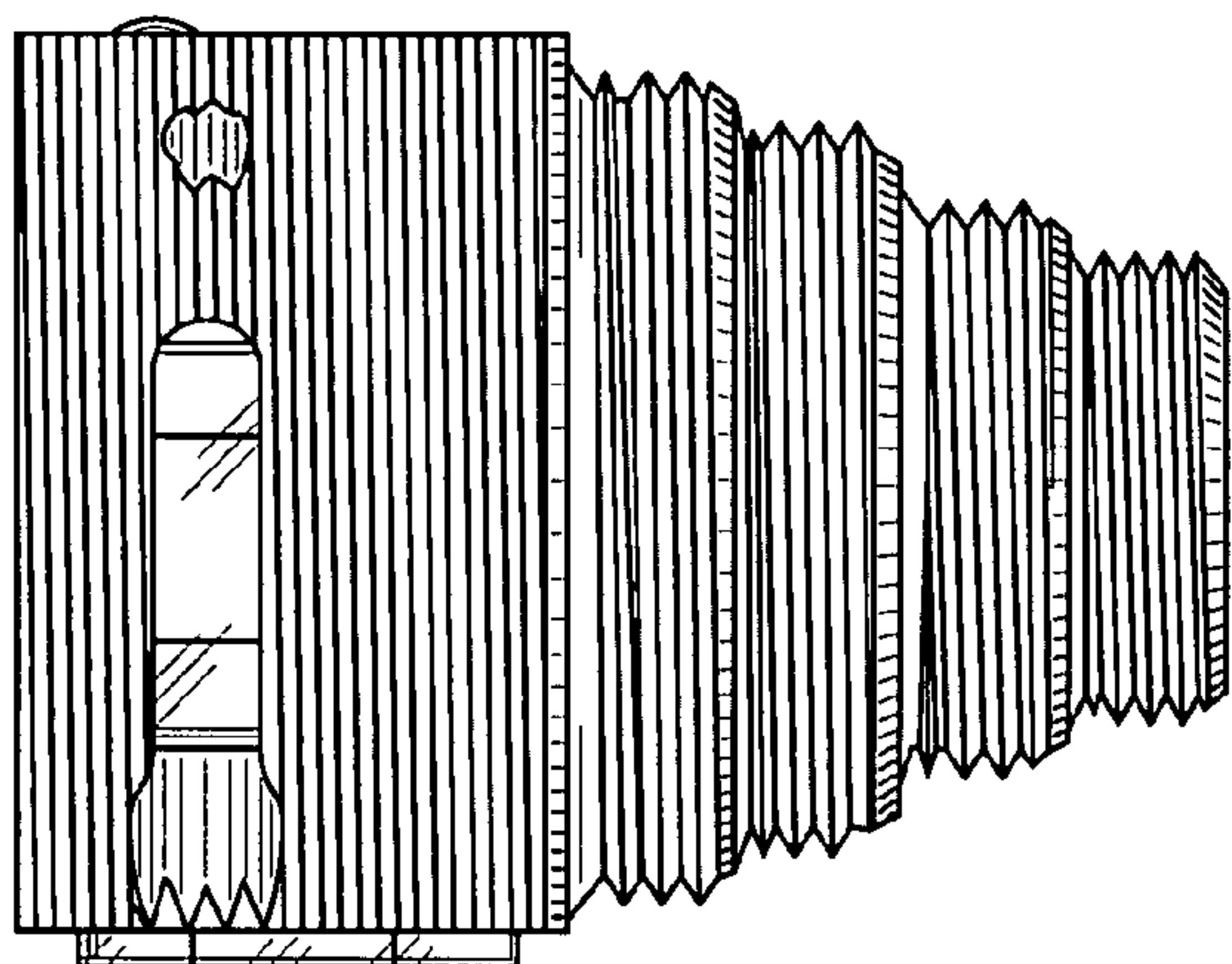


FIG. 3

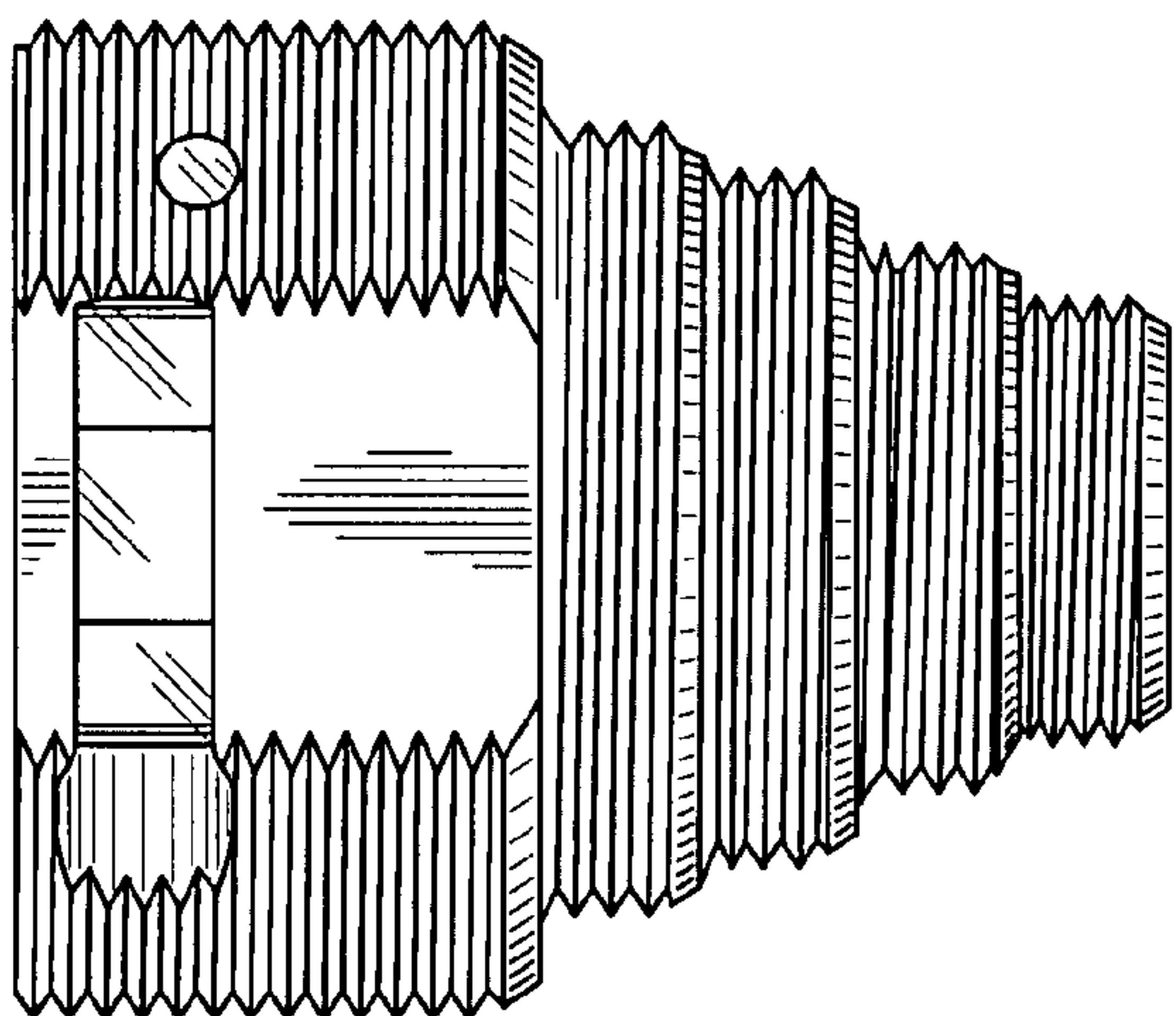


FIG. 4

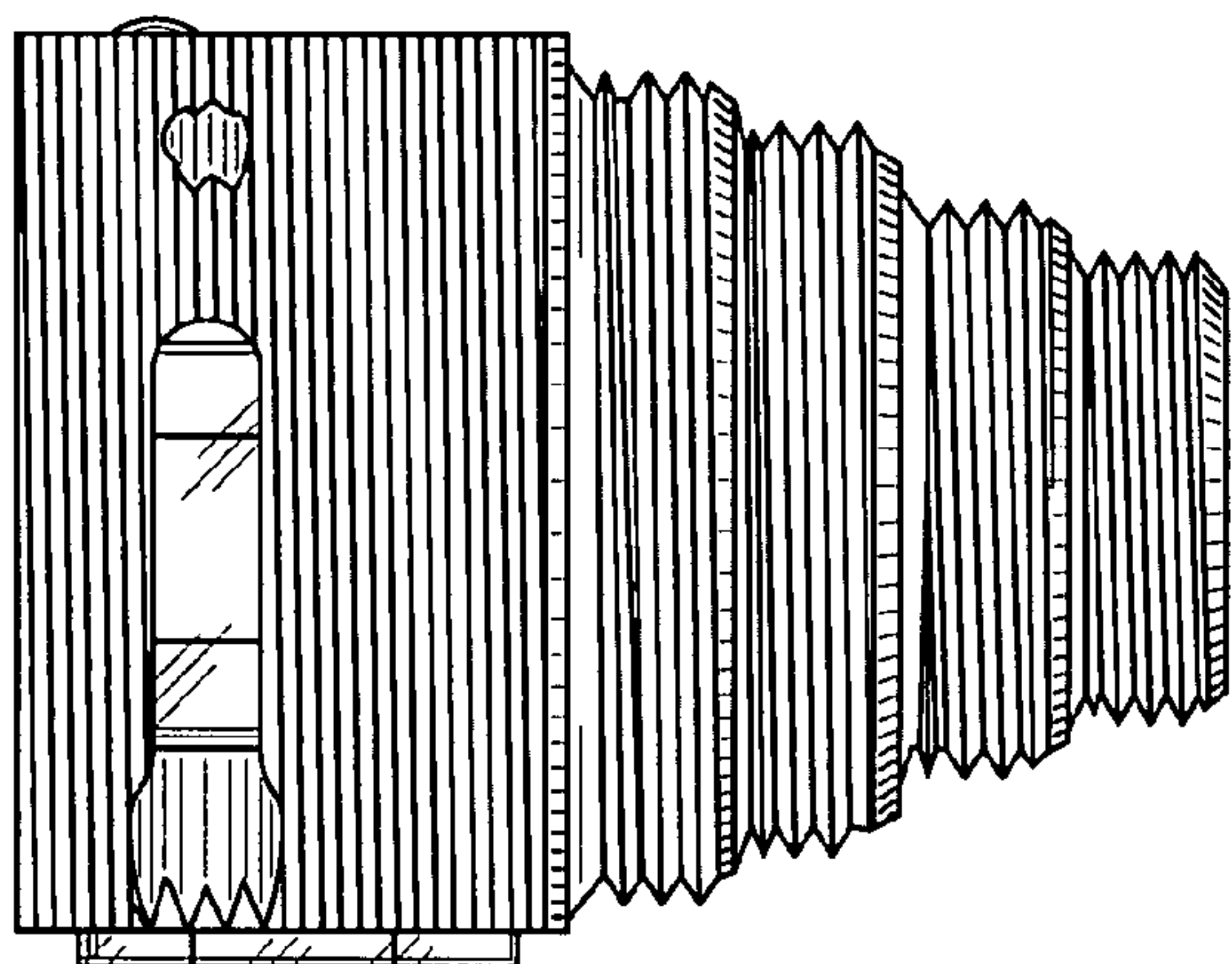


FIG. 5

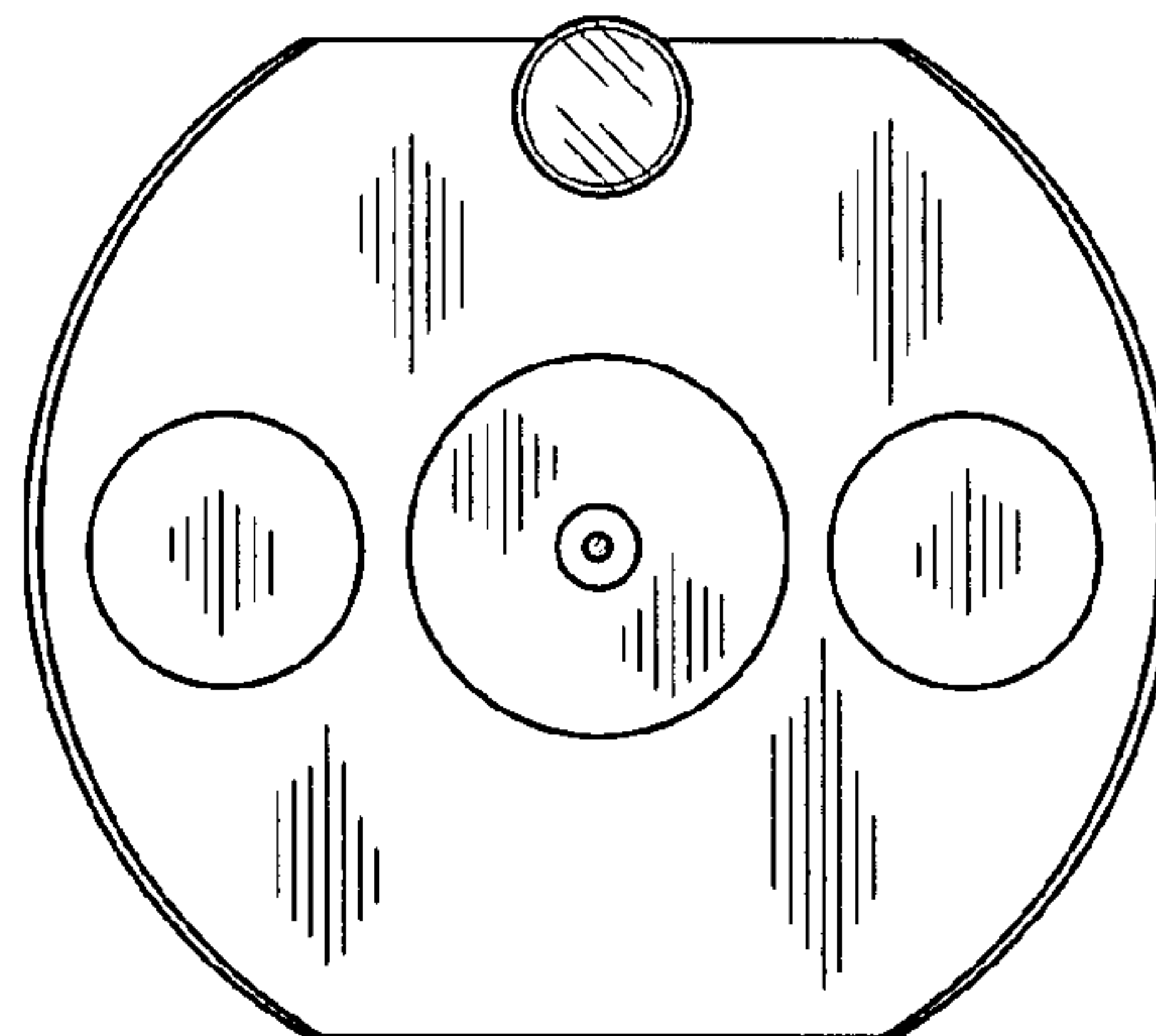


FIG. 6

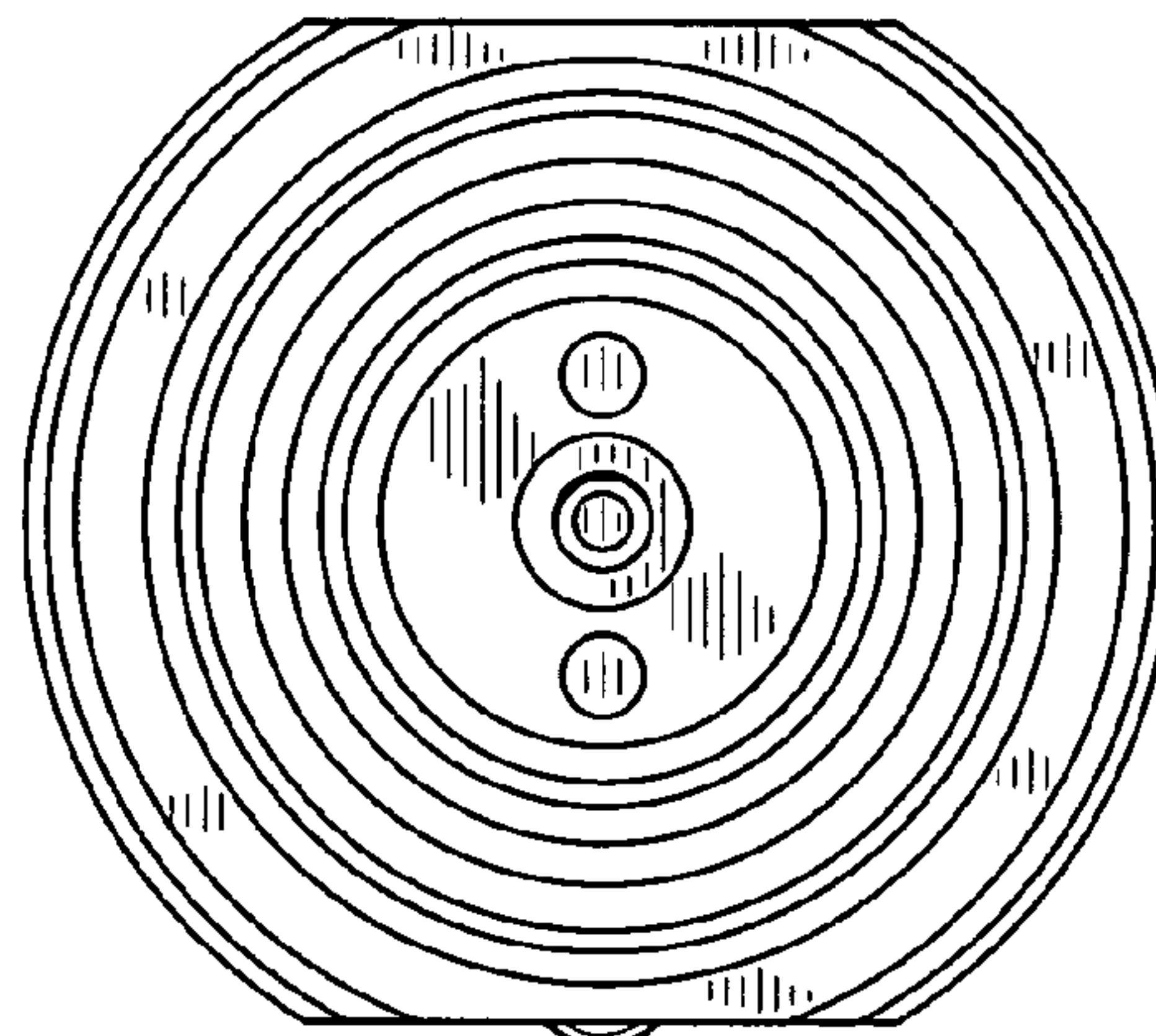


FIG. 7