



US00D574270S

(12) **United States Design Patent**  
**Bell**

(10) **Patent No.:** **US D574,270 S**

(45) **Date of Patent:** **\*\* Aug. 5, 2008**

(54) **EMERGENCY LOCATOR**

(76) **Inventor:** **John Kielty Bell**, No. 9 Landsdowne Road, Tunbridge Wells, Kent County (GB)

(\*\*) **Term:** **14 Years**

(21) **Appl. No.:** **29/287,761**

(22) **Filed:** **Sep. 17, 2007**

(30) **Foreign Application Priority Data**

Mar. 17, 2007 (GB) ..... 4002050

(51) **LOC (8) Cl.** ..... **10-04**

(52) **U.S. Cl.** ..... **D10/65; D10/70**

(58) **Field of Classification Search** ..... D10/65, D10/70; 340/573.1, 10.52, 10.6, 332, 825.69, 340/825.72, 539.32, 525, 573.4, 825.36, 340/825.49, 539.1, 539.11, 539.13, 539.15, 340/572.8, 573.7, 572.9, 573.9, 988 T; 342/357.01, 342/357.06, 419; 182/18; 607/27, 32, 301; 398/9, 21, 118, 130, 131, 156, 140, 212, 398/201, 88, 141

See application file for complete search history.

(56) **References Cited**

**U.S. PATENT DOCUMENTS**

- 4,220,996 A \* 9/1980 Searcy
- 5,119,072 A \* 6/1992 Hemingway
- 5,289,163 A \* 2/1994 Perez et al.
- 5,546,092 A \* 8/1996 Kurokawa et al.

- 5,689,240 A \* 11/1997 Traxler
- 5,712,619 A \* 1/1998 Simkin
- 5,923,255 A \* 7/1999 Vahdatshoar
- 6,204,767 B1 \* 3/2001 Sparks
- 6,211,785 B1 \* 4/2001 Tuttle et al.
- 6,268,798 B1 \* 7/2001 Dymek et al.
- D461,134 S \* 8/2002 Eckelberger
- D475,937 S \* 6/2003 Banaya
- D531,531 S \* 11/2006 Chen
- 2006/0255936 A1 \* 11/2006 Mathews et al. .... 340/539.15
- 2007/0247309 A1 \* 10/2007 Olson ..... 340/539.32

\* cited by examiner

*Primary Examiner*—Antoine D Davis  
(74) *Attorney, Agent, or Firm*—Clark & Brody

(57) **CLAIM**

The ornamental design for an emergency locator, as shown and described.

**DESCRIPTION**

FIG. 1 is a front perspective view of an emergency locator showing my new design.

FIG. 2 is a front plan view thereof.

FIG. 3 is a right side elevation view thereof. The left side elevation view is a mirror image of FIG. 3.

FIG. 4 is a top plan view thereof. The bottom plan view is a mirror image thereof; and,

FIG. 5 is a front perspective of thereof with an optional cover and removable fob covering the front face.

**1 Claim, 3 Drawing Sheets**

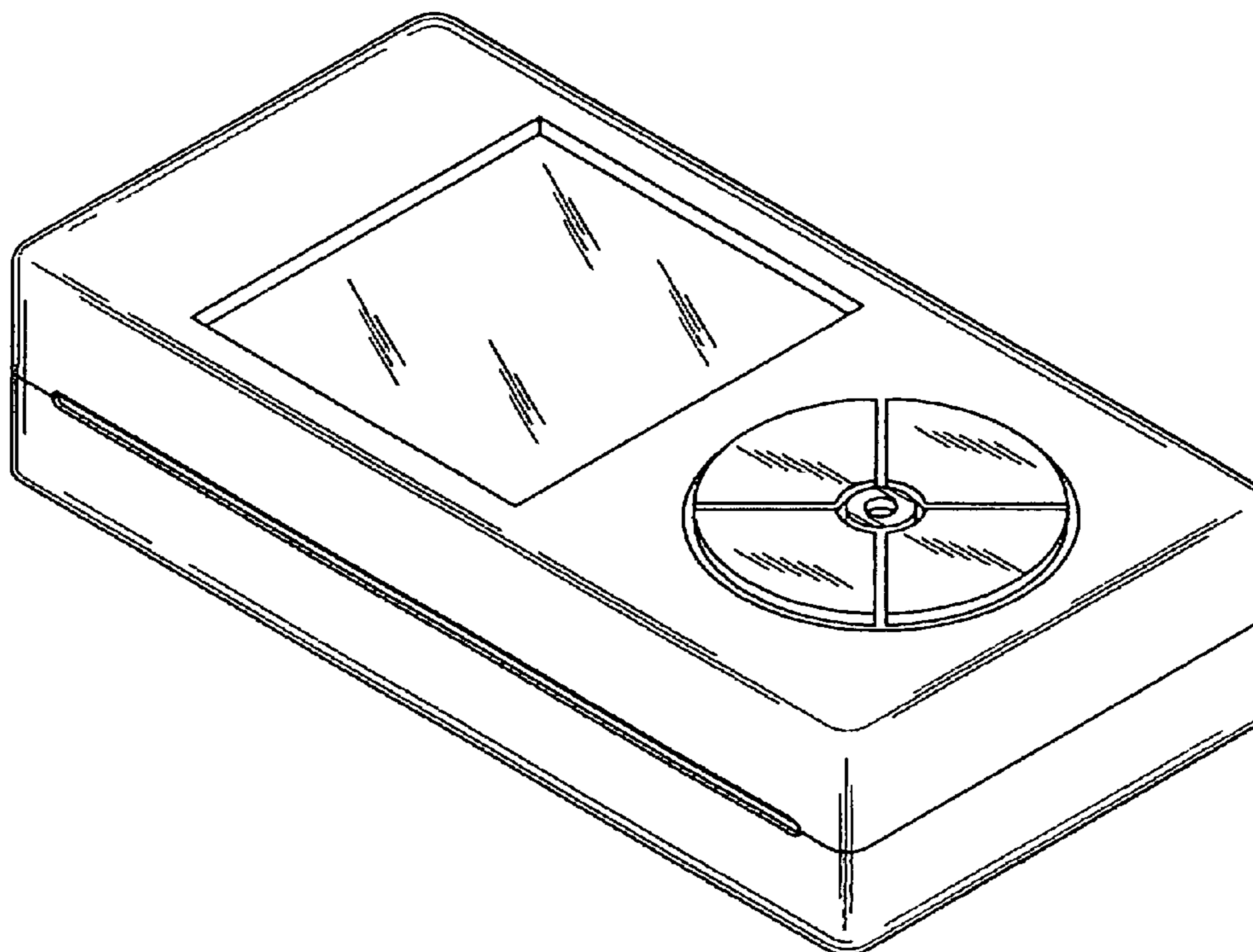


FIG. 1

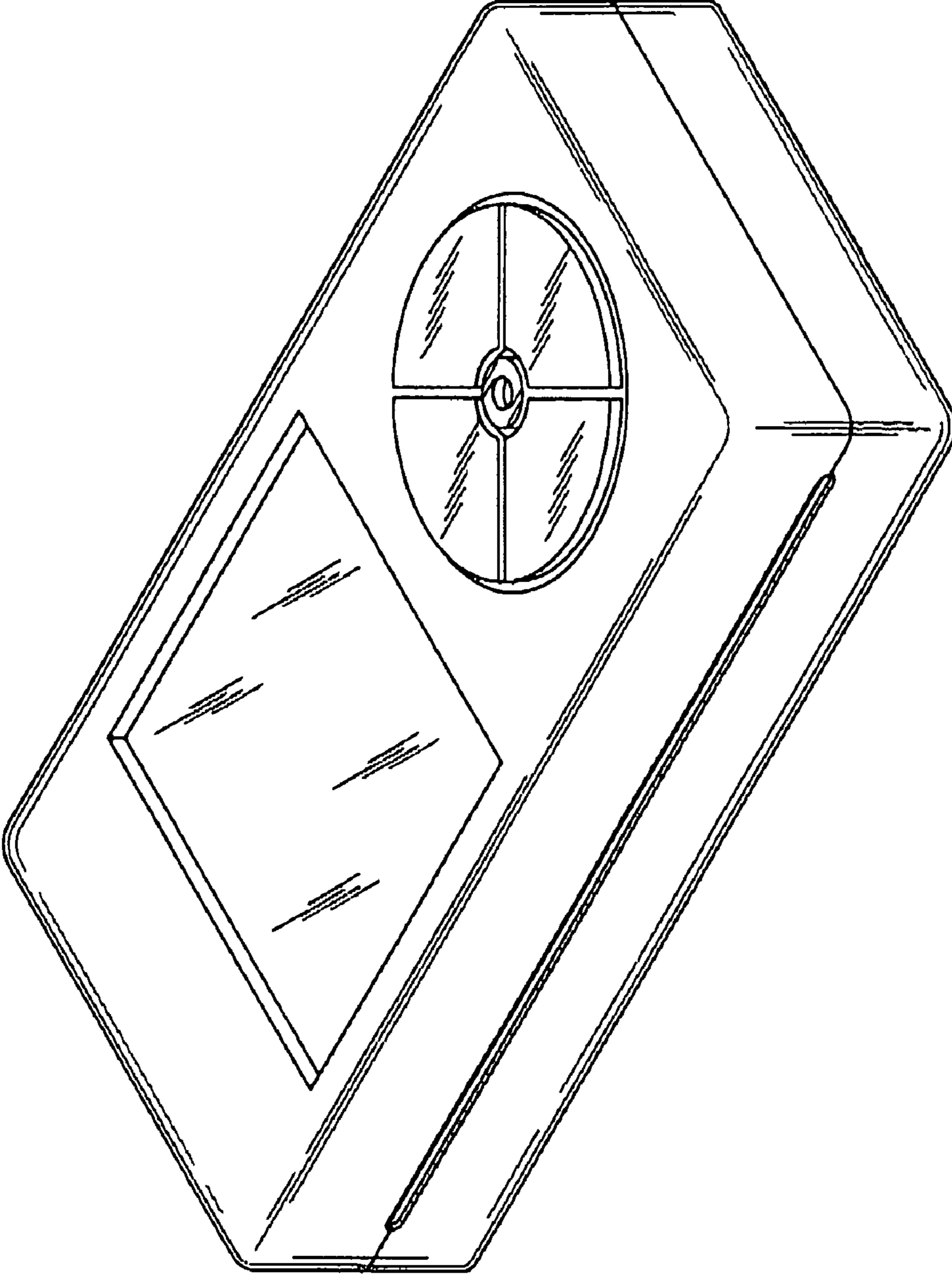


FIG. 2

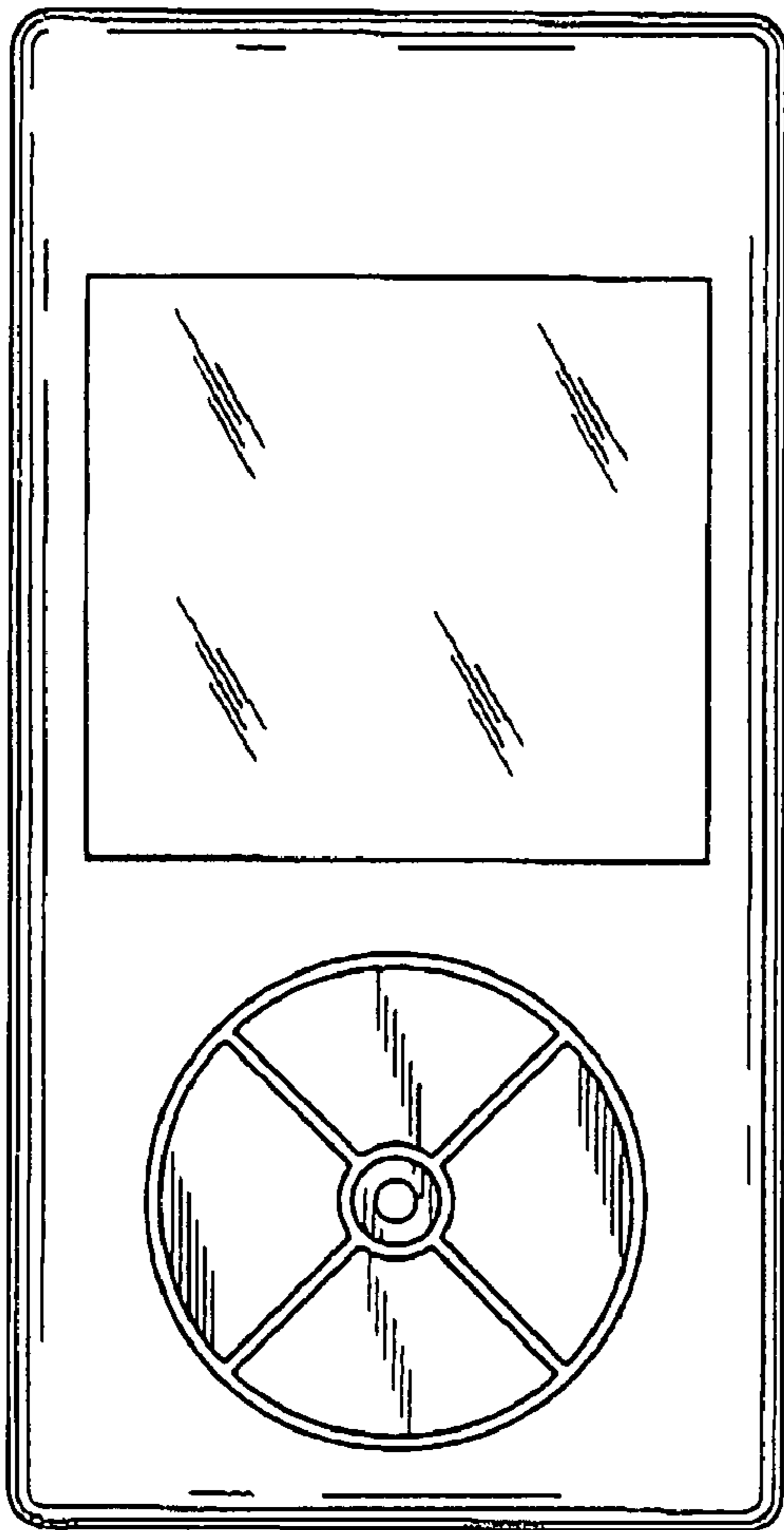


FIG. 3

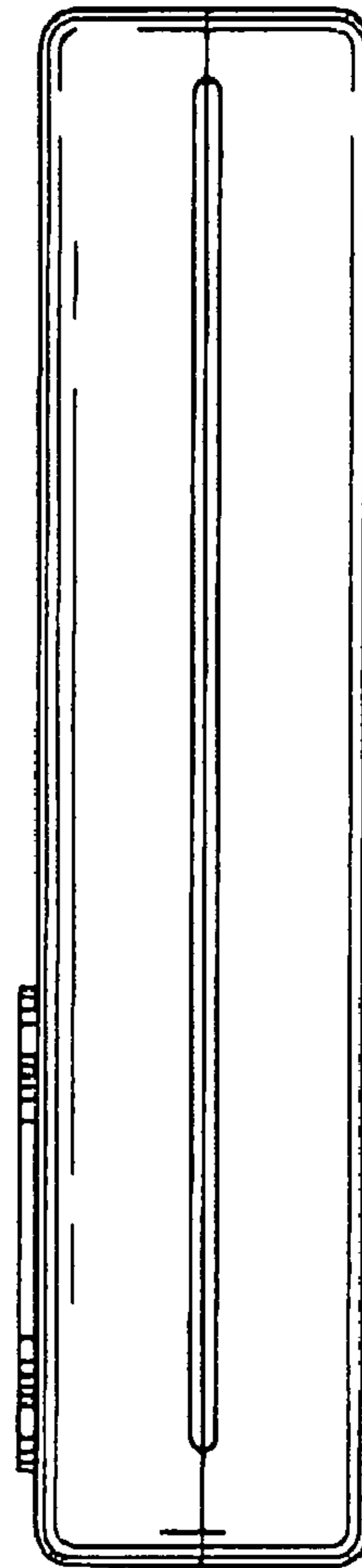


FIG. 4

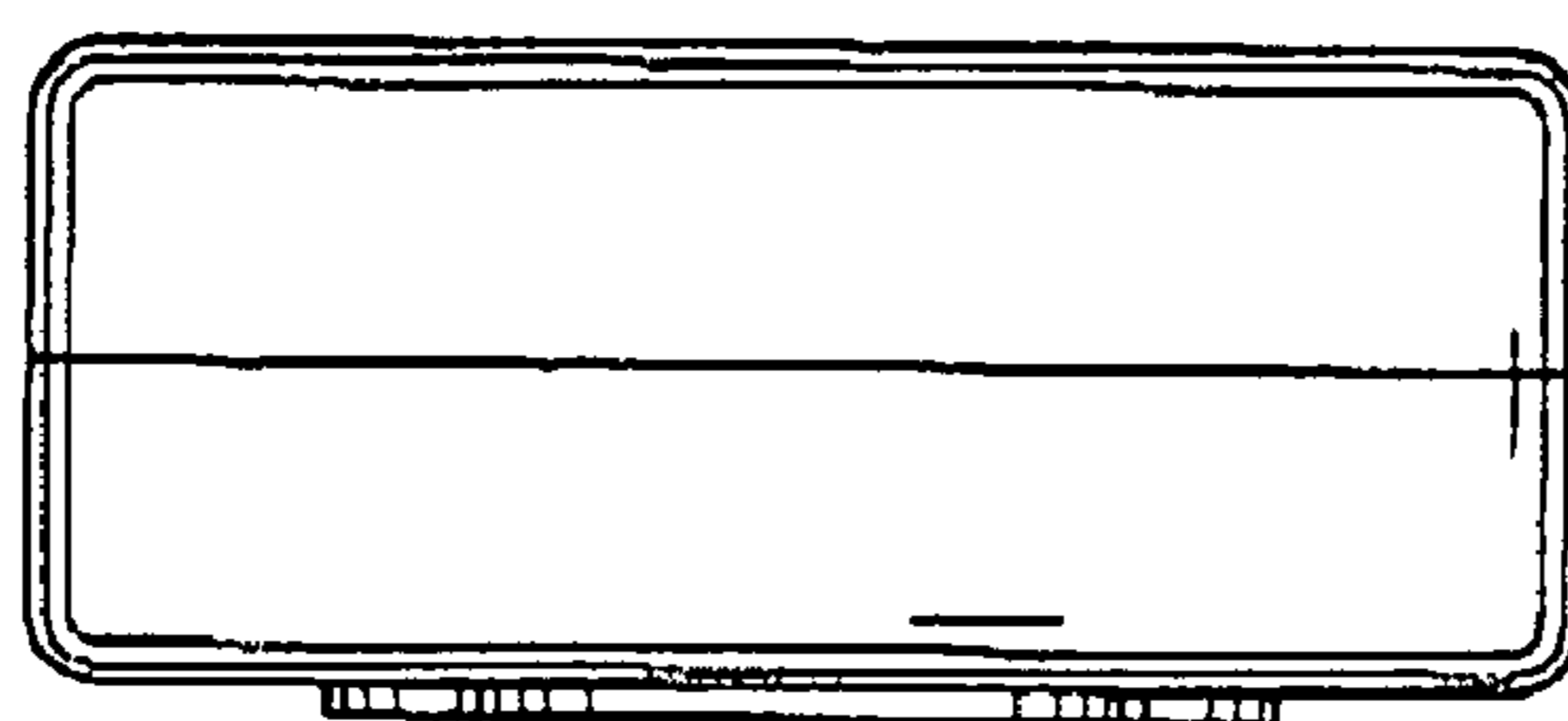


FIG. 5

