



US00D574263S

(12) **United States Design Patent**  
**Loth**

(10) **Patent No.:** **US D574,263 S**  
(45) **Date of Patent:** **\*\* Aug. 5, 2008**

(54) **WRISTWATCH**

(75) Inventor: **Eric Loth**, La Chaux-de-Fonds (CH)

(73) Assignee: **The British Masters SA**, La Chaux-de-Fonds (CH)

(\*\*) Term: **14 Years**

(21) Appl. No.: **29/265,264**

(22) Filed: **Aug. 29, 2006**

(30) **Foreign Application Priority Data**

Mar. 28, 2006 (CH) ..... 132661

(51) **LOC (8) Cl.** ..... **10-02**

(52) **U.S. Cl.** ..... **D10/38**

(58) **Field of Classification Search** ..... D10/30-40,  
D10/122-132; D11/3-25; 224/164-168;  
368/10, 21, 28-30, 223, 228, 232, 234, 239-242,  
368/276-277, 280-283, 285, 294-295, 308,  
368/319-321

See application file for complete search history.

(56) **References Cited**

**U.S. PATENT DOCUMENTS**

|           |     |         |           |       |         |
|-----------|-----|---------|-----------|-------|---------|
| 3,427,800 | A * | 2/1969  | Blum      | ..... | 368/223 |
| D391,176  | S * | 2/1998  | Bulgari   | ..... | D10/39  |
| D447,705  | S * | 9/2001  | Scheufele | ..... | D10/39  |
| D452,175  | S * | 12/2001 | Finazzi   | ..... | D10/39  |
| D457,817  | S * | 5/2002  | Brandt    | ..... | D10/39  |
| D459,242  | S * | 6/2002  | Wunderman | ..... | D10/32  |

|          |     |         |            |       |        |
|----------|-----|---------|------------|-------|--------|
| D473,475 | S * | 4/2003  | Baumann    | ..... | D10/32 |
| D517,432 | S * | 3/2006  | Laucella   | ..... | D10/39 |
| D519,851 | S * | 5/2006  | Seyr       | ..... | D10/31 |
| D519,852 | S * | 5/2006  | Roden      | ..... | D10/31 |
| D533,468 | S * | 12/2006 | Loth       | ..... | D10/32 |
| D536,996 | S * | 2/2007  | Loth       | ..... | D10/32 |
| D540,195 | S * | 4/2007  | Nussbaumer | ..... | D10/31 |

\* cited by examiner

*Primary Examiner*—Caron D. Veynar

*Assistant Examiner*—Ricky Pham

(74) *Attorney, Agent, or Firm*—Sughrue Mion, PLLC

(57) **CLAIM**

The ornamental design for a wristwatch, as shown and described.

**DESCRIPTION**

FIG. 1 is a front elevational view of a wristwatch showing my new design;

FIG. 2 is a perspective view of the front and left side thereof;

FIG. 3 is a perspective view of the front and right side thereof;

FIG. 4 is a rear elevational view thereof;

FIG. 5 is a right side elevational view thereof;

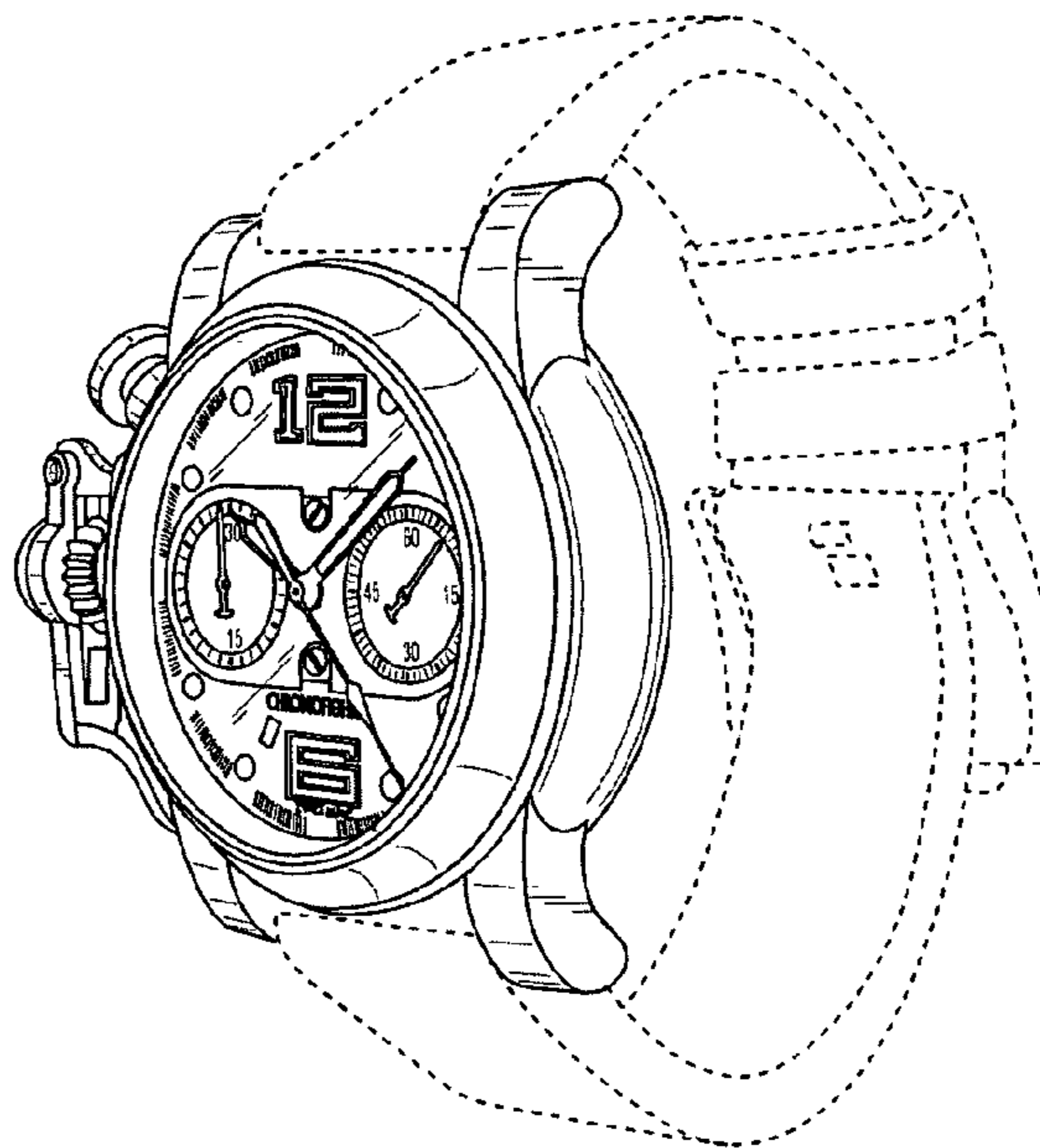
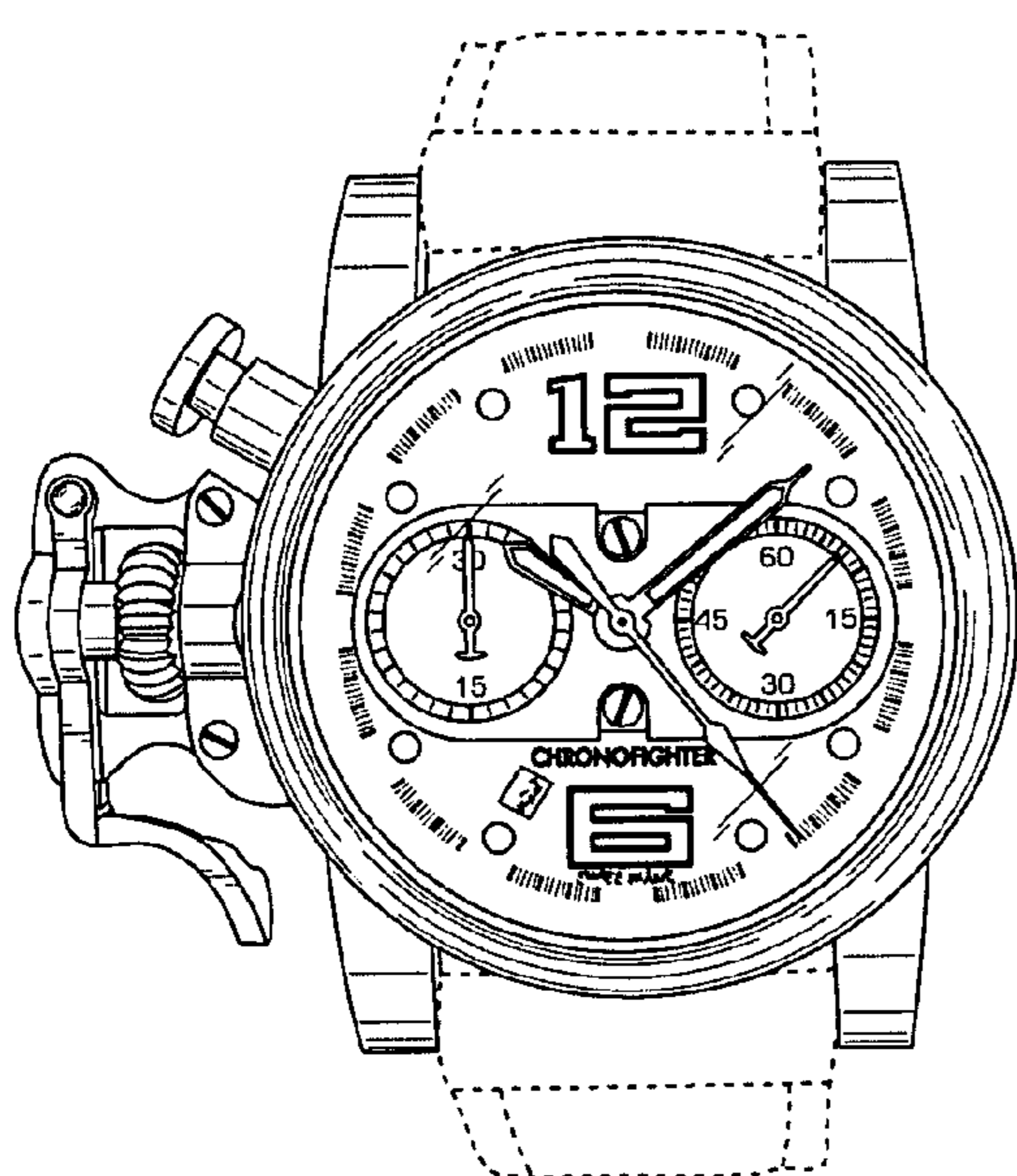
FIG. 6 is a left side elevational view thereof;

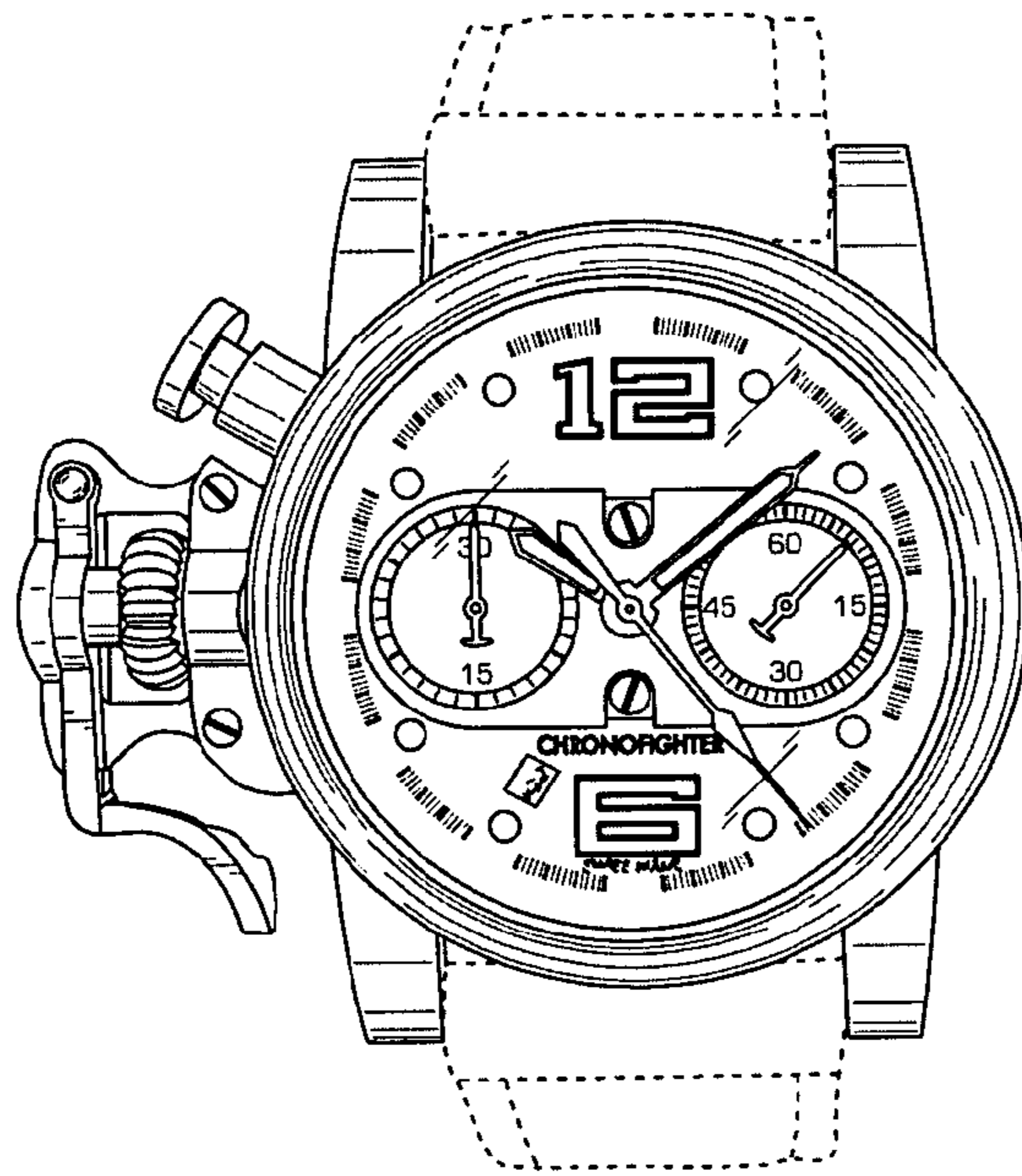
FIG. 7 is a top plan view thereof; and,

FIG. 8 is a bottom plan view thereof.

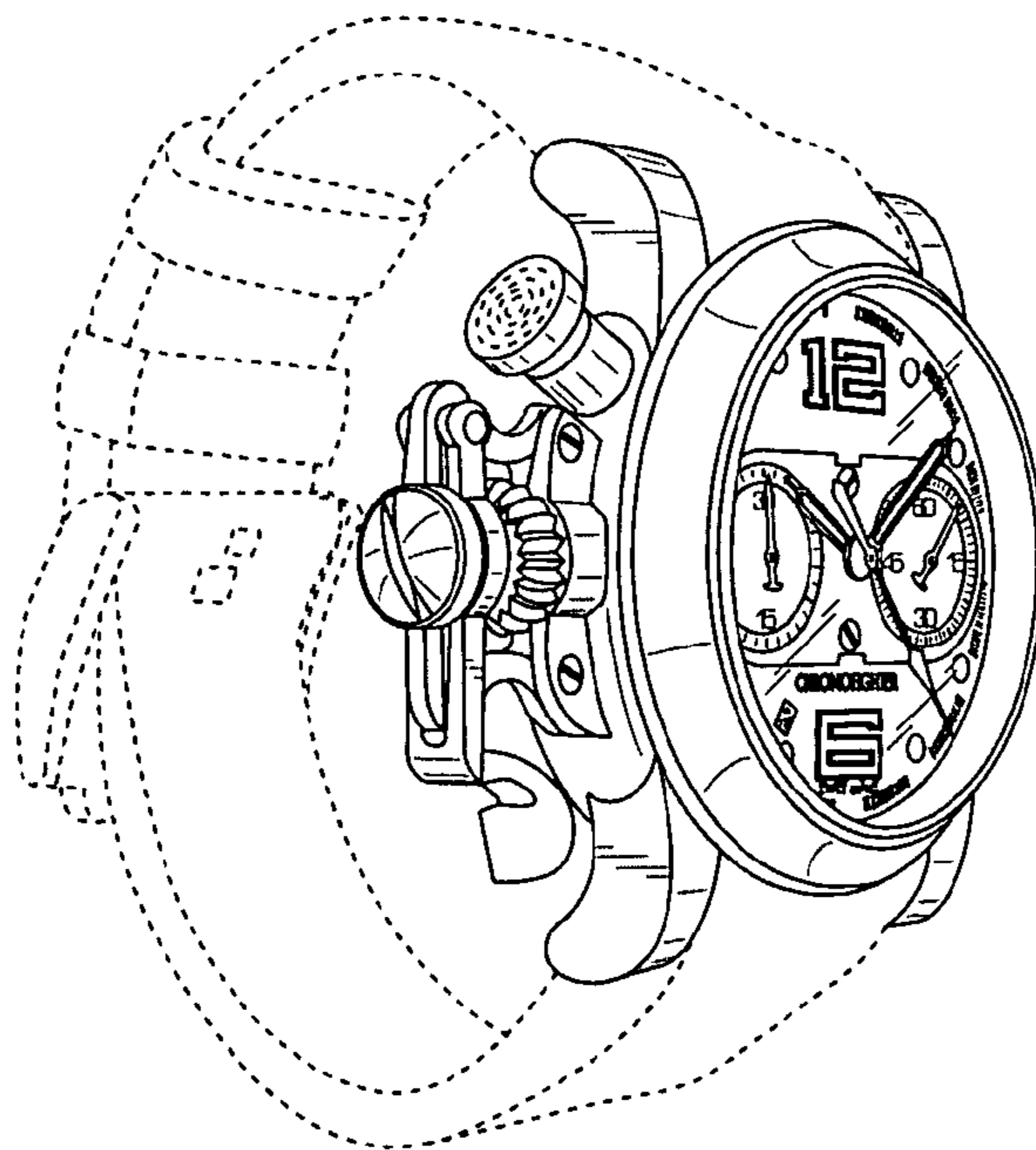
The portions shown in broken lines are for illustrative purposes only and form no part of the claimed design.

**1 Claim, 4 Drawing Sheets**

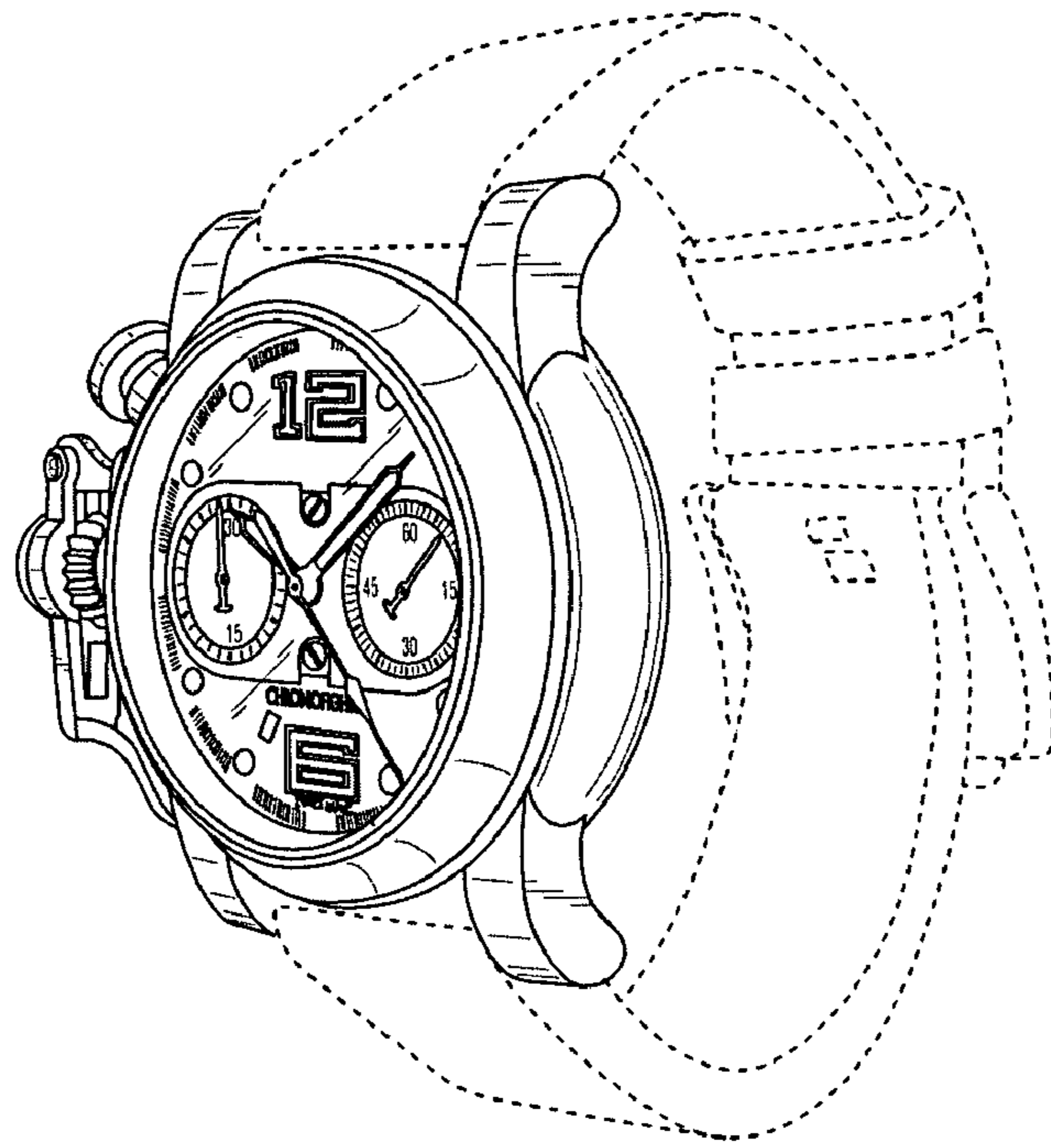




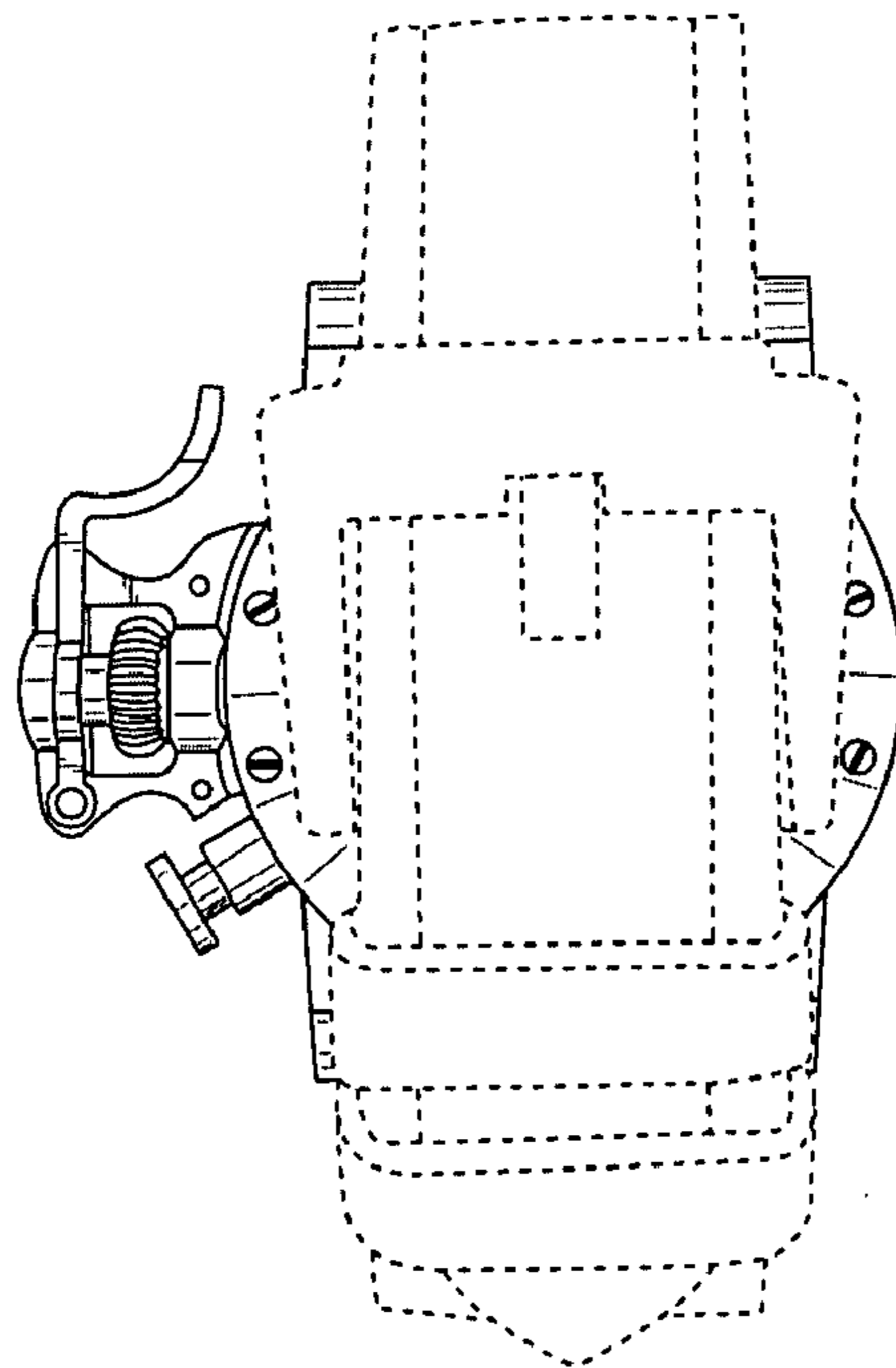
**Fig. 1**



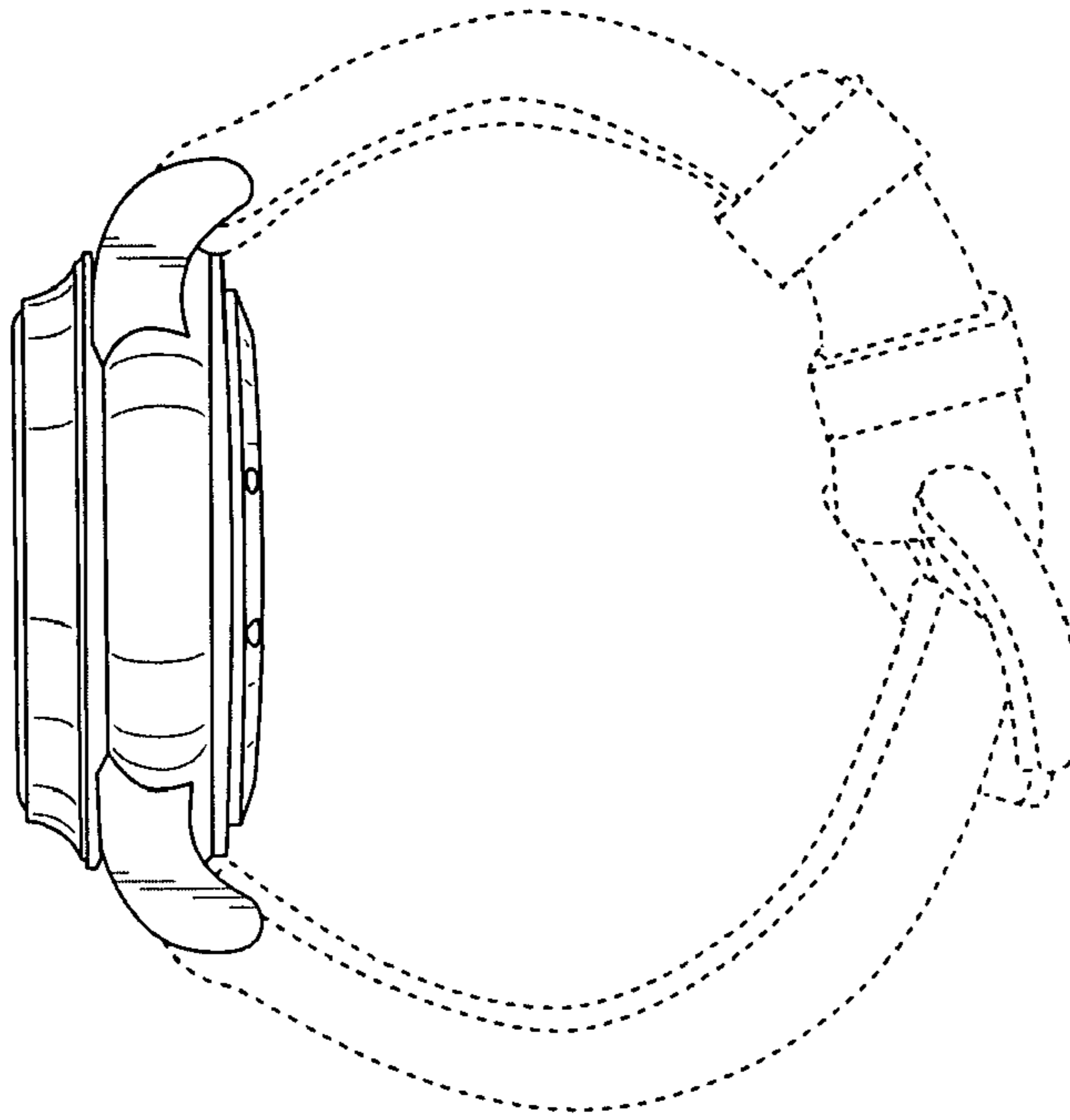
**Fig. 2**



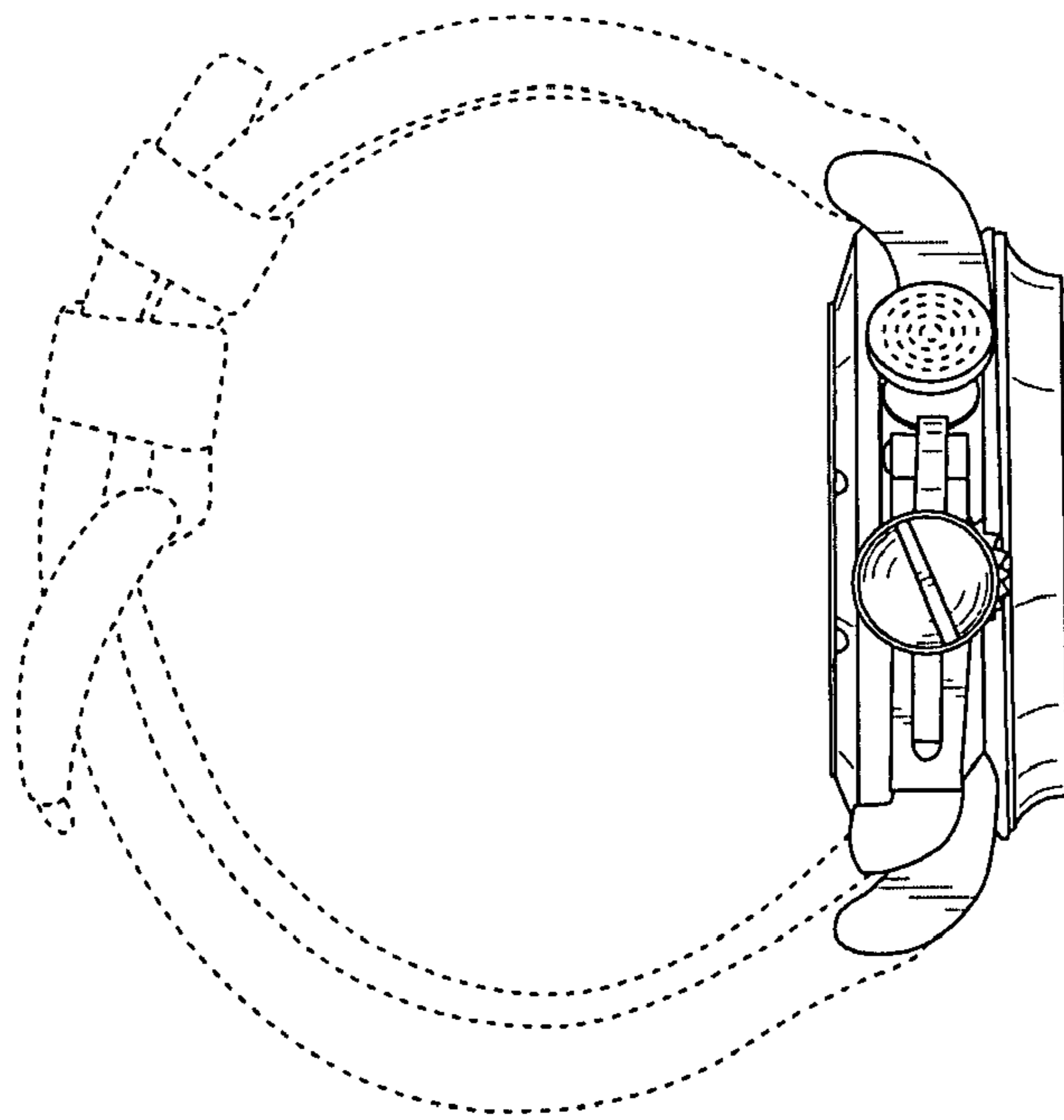
**Fig. 3**



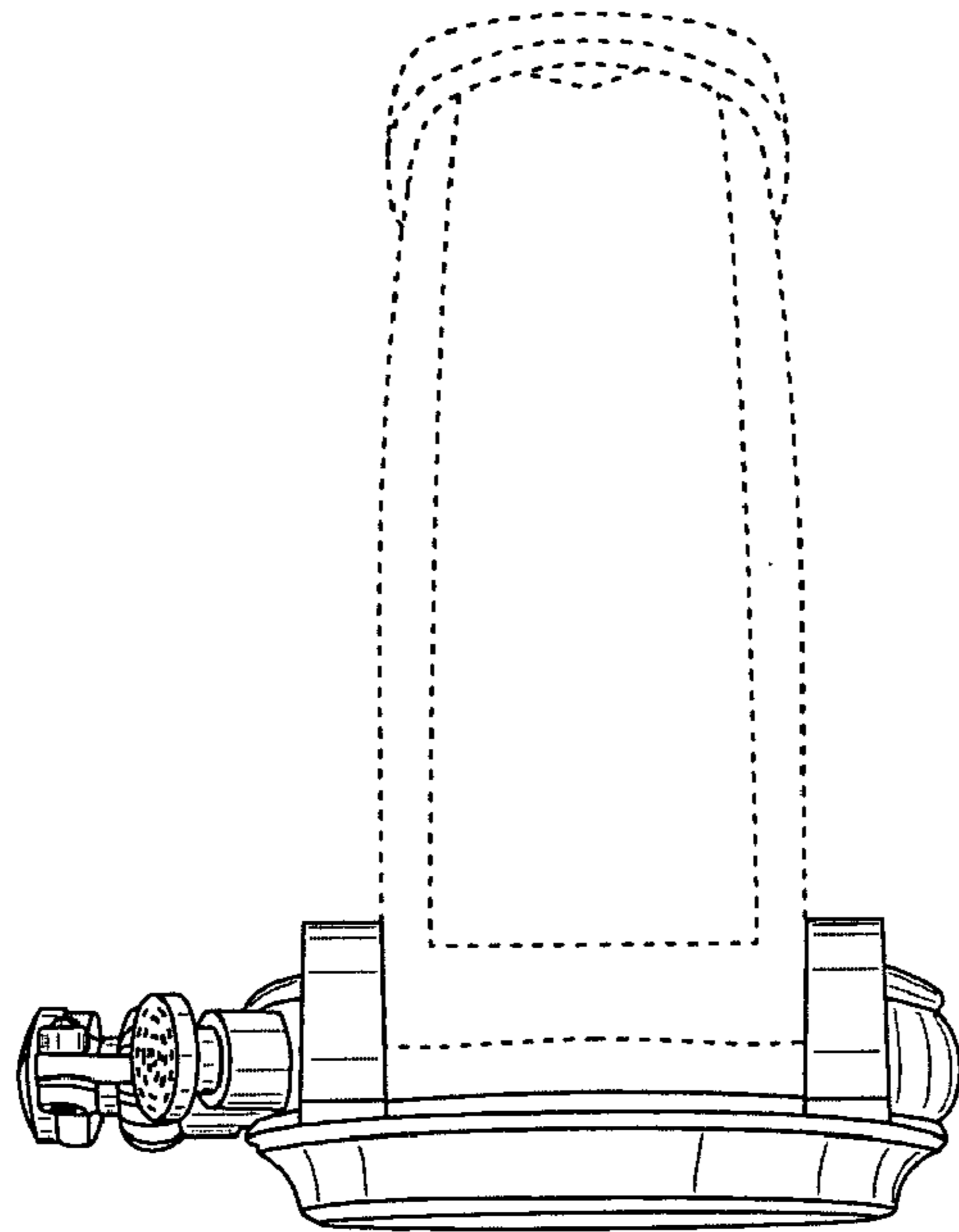
**Fig. 4**



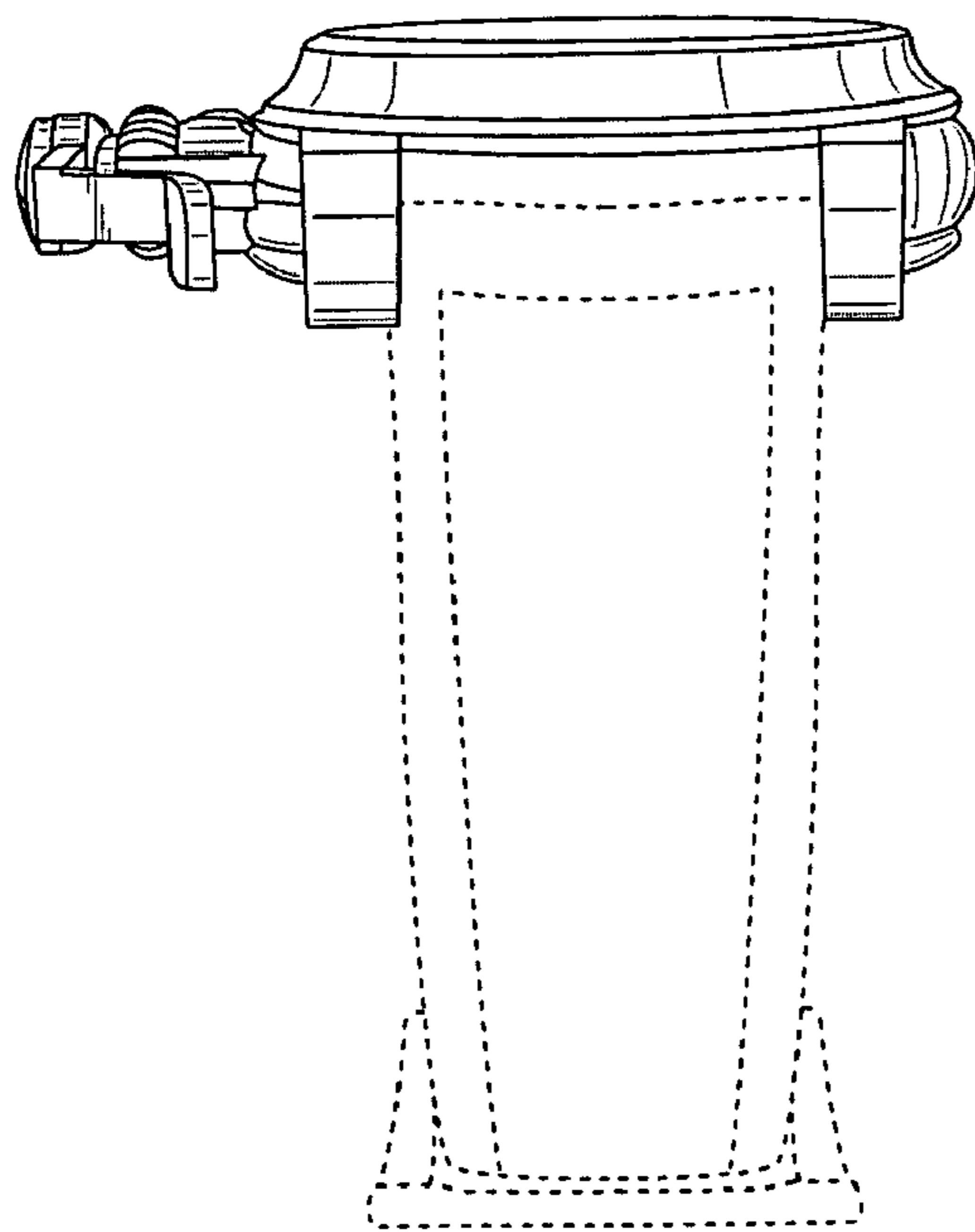
**Fig. 5**



**Fig. 6**



**Fig. 7**



**Fig. 8**