



US00D574262S

(12) **United States Design Patent**
Martinez et al.

(10) **Patent No.:** **US D574,262 S**
(45) **Date of Patent:** **** Aug. 5, 2008**

(54) **WRIST WATCH**

(75) Inventors: **Alberto Martinez**, Valencia (ES); **Pepe Garcia**, Valencia (ES)

(73) Assignee: **Lorenz S.p.A.**, Milan (IT)

(**) Term: **14 Years**

(21) Appl. No.: **29/262,598**

(22) Filed: **Jul. 7, 2006**

(30) **Foreign Application Priority Data**

May 19, 2006 (EP) 000532247

(51) **LOC (8) Cl.** **10-02**

(52) **U.S. Cl.** **D10/32**

(58) **Field of Classification Search** D10/30,
D10/31, 32, 38, 39, 123-126; 368/276, 281,
368/282, 285, 228, 232, 80, 239-242, 28-30;
D11/3, 6, 12; 63/3, 5.1, 1; 224/156

See application file for complete search history.

(56) **References Cited**

U.S. PATENT DOCUMENTS

1,712,582	A *	5/1929	Renz	59/80
3,265,247	A *	8/1966	McKinney	63/5.1
3,372,500	A *	3/1968	Claude	63/3
3,908,356	A *	9/1975	Williams	368/280
3,911,664	A *	10/1975	Haber	368/224
4,358,875	A *	11/1982	Solomon	63/5.1
4,706,857	A *	11/1987	Aellen et al.	224/164

D312,587	S *	12/1990	Bulgari	D10/32
D327,225	S *	6/1992	Crocco	D10/32
D380,161	S *	6/1997	Riley	D10/30
D389,070	S *	1/1998	Galli	D10/30
5,748,571	A *	5/1998	Jackl	368/282
D402,910	S *	12/1998	Jorst	D11/3
D403,249	S *	12/1998	Murphy et al.	D10/32
6,198,698	B1 *	3/2001	Graves	368/82
D447,063	S *	8/2001	Scheufele	D10/30
6,577,558	B1 *	6/2003	Ricci	368/228
6,690,623	B1 *	2/2004	Maano	368/82
D508,418	S *	8/2005	Kraft	D10/38
D521,394	S *	5/2006	Tang	D10/30

* cited by examiner

Primary Examiner—Lucy Lieberman

(74) *Attorney, Agent, or Firm*—Hogan & Hartson LLP

(57) **CLAIM**

The ornamental design for a wrist watch, as shown and described.

DESCRIPTION

FIG. 1 is a top perspective view of the wrist watch;

FIG. 2 is a bottom perspective view of the wrist watch;

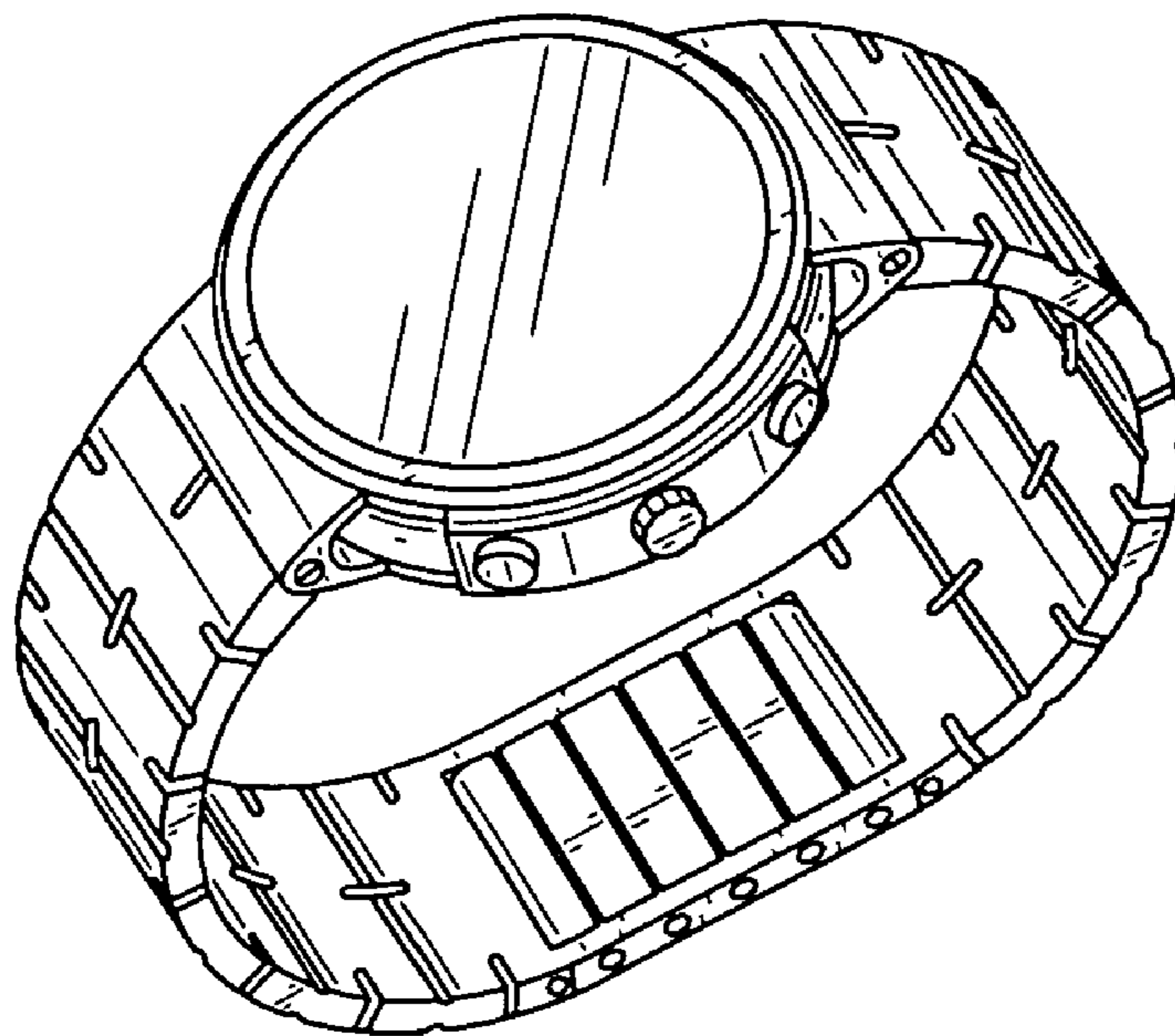
FIG. 3 is a front view of the wrist watch;

FIG. 4 is a back view of the wrist watch;

FIG. 5 is a side view of the wrist watch; and,

FIG. 6 is a top view of the wrist watch.

1 Claim, 3 Drawing Sheets



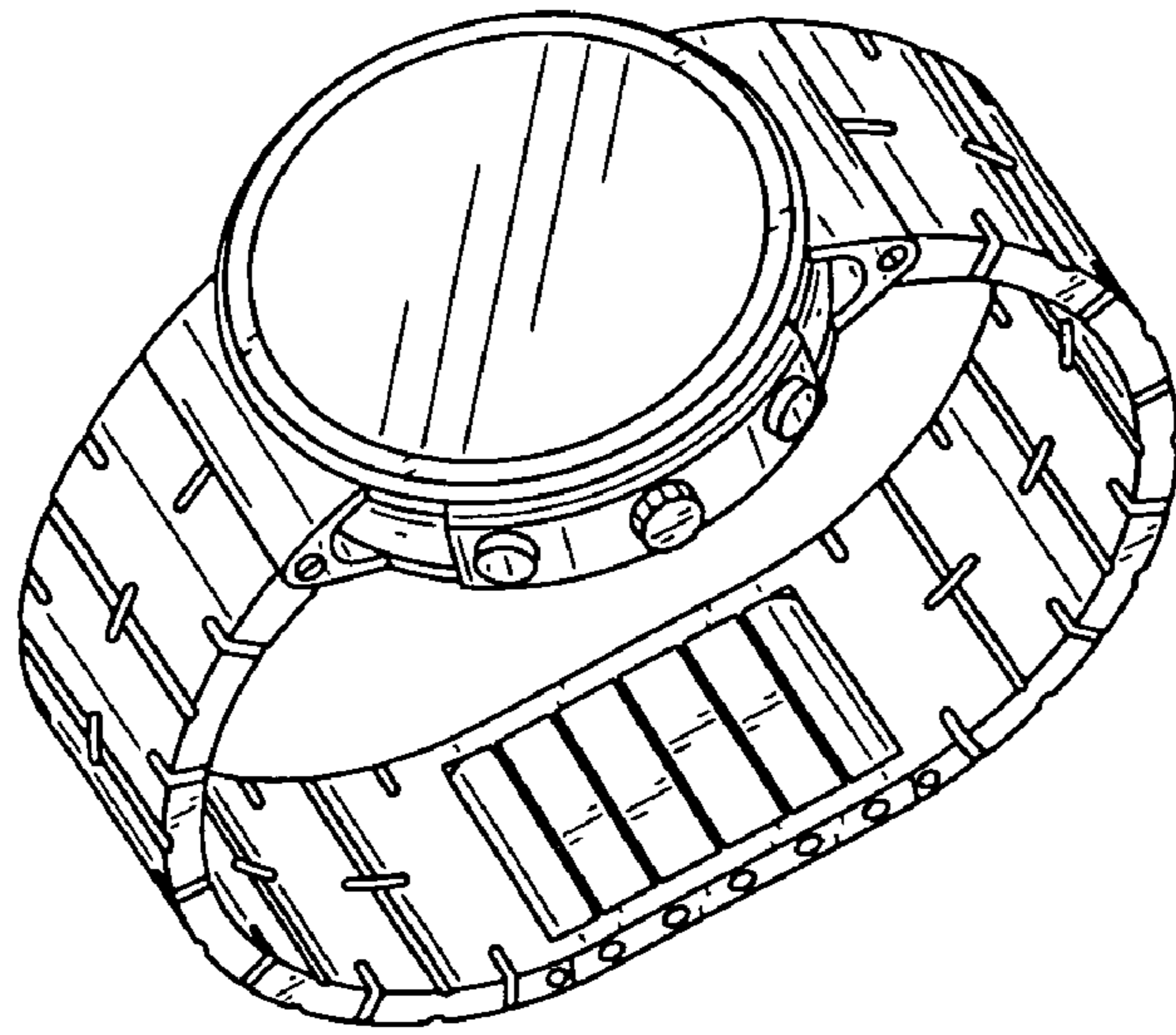


FIG. 1

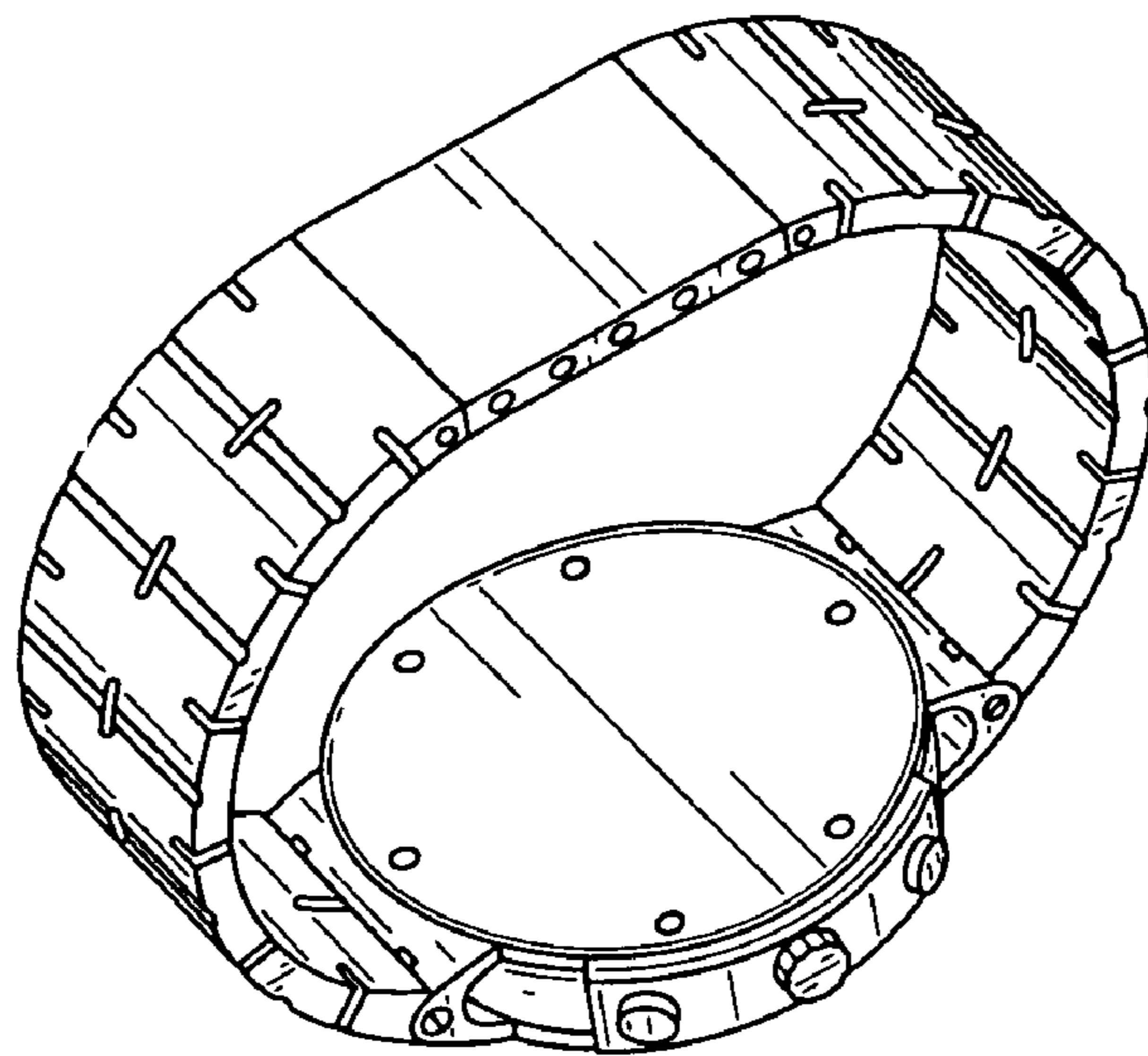


FIG. 2

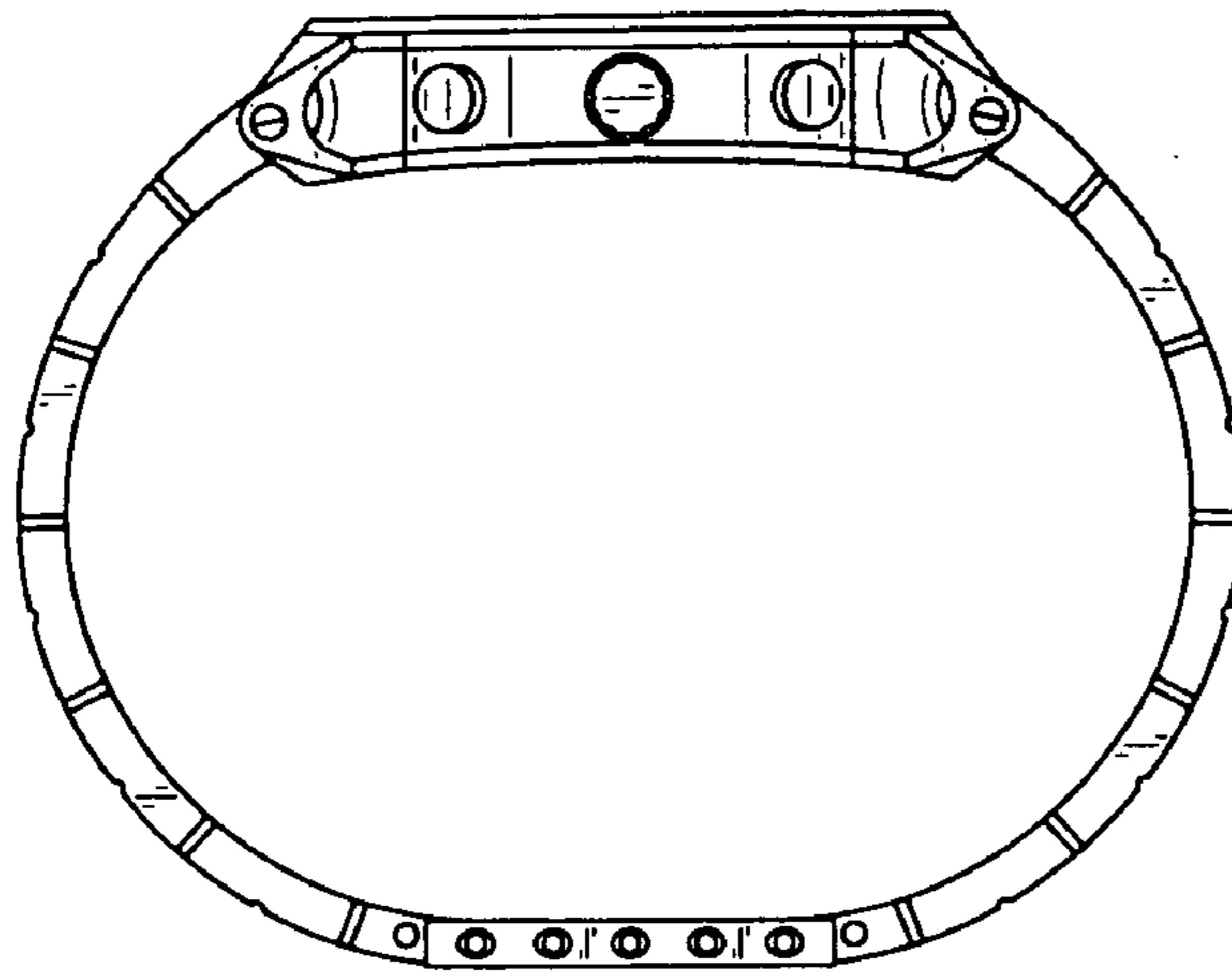


FIG. 3

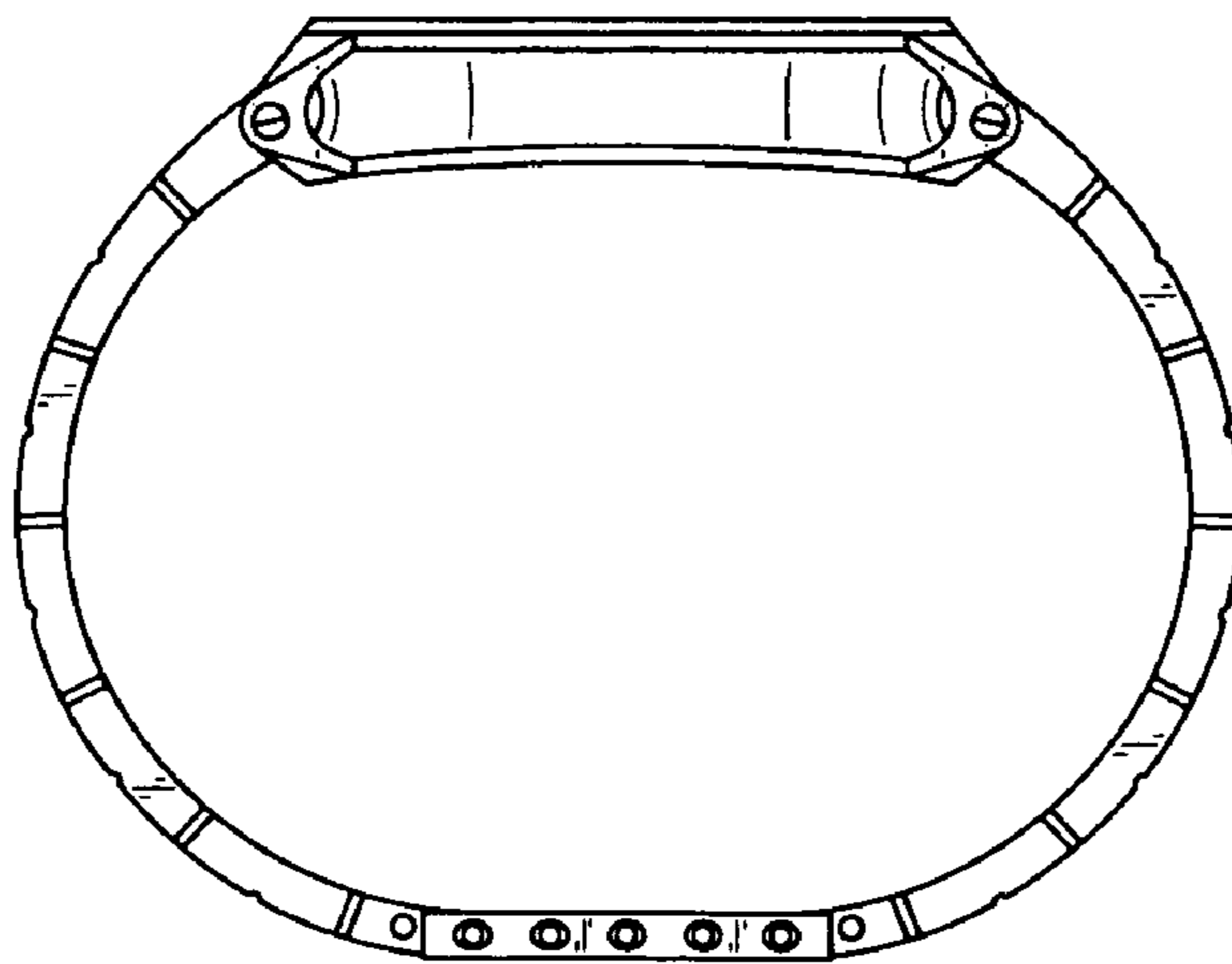


FIG. 4

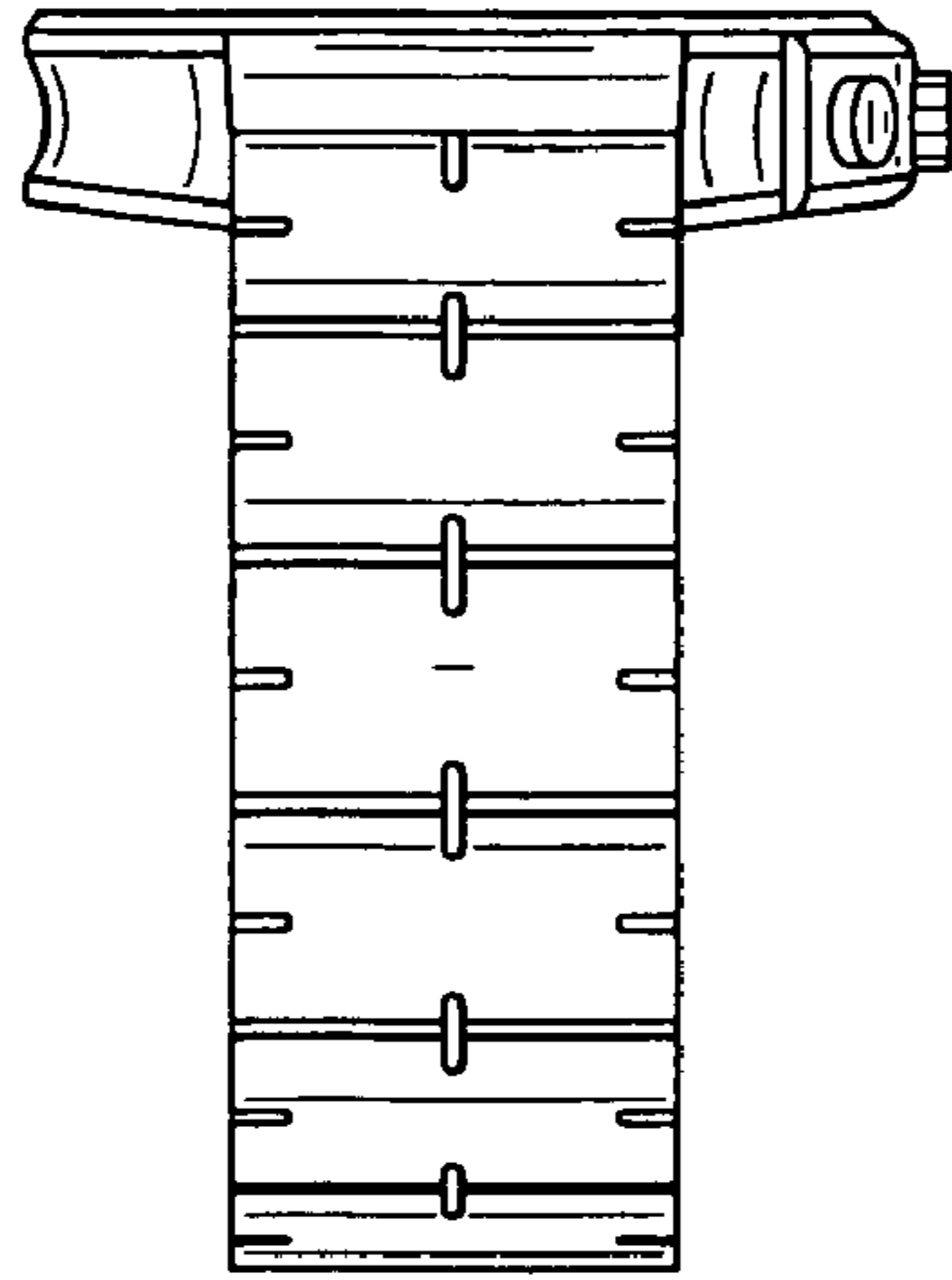


FIG. 5

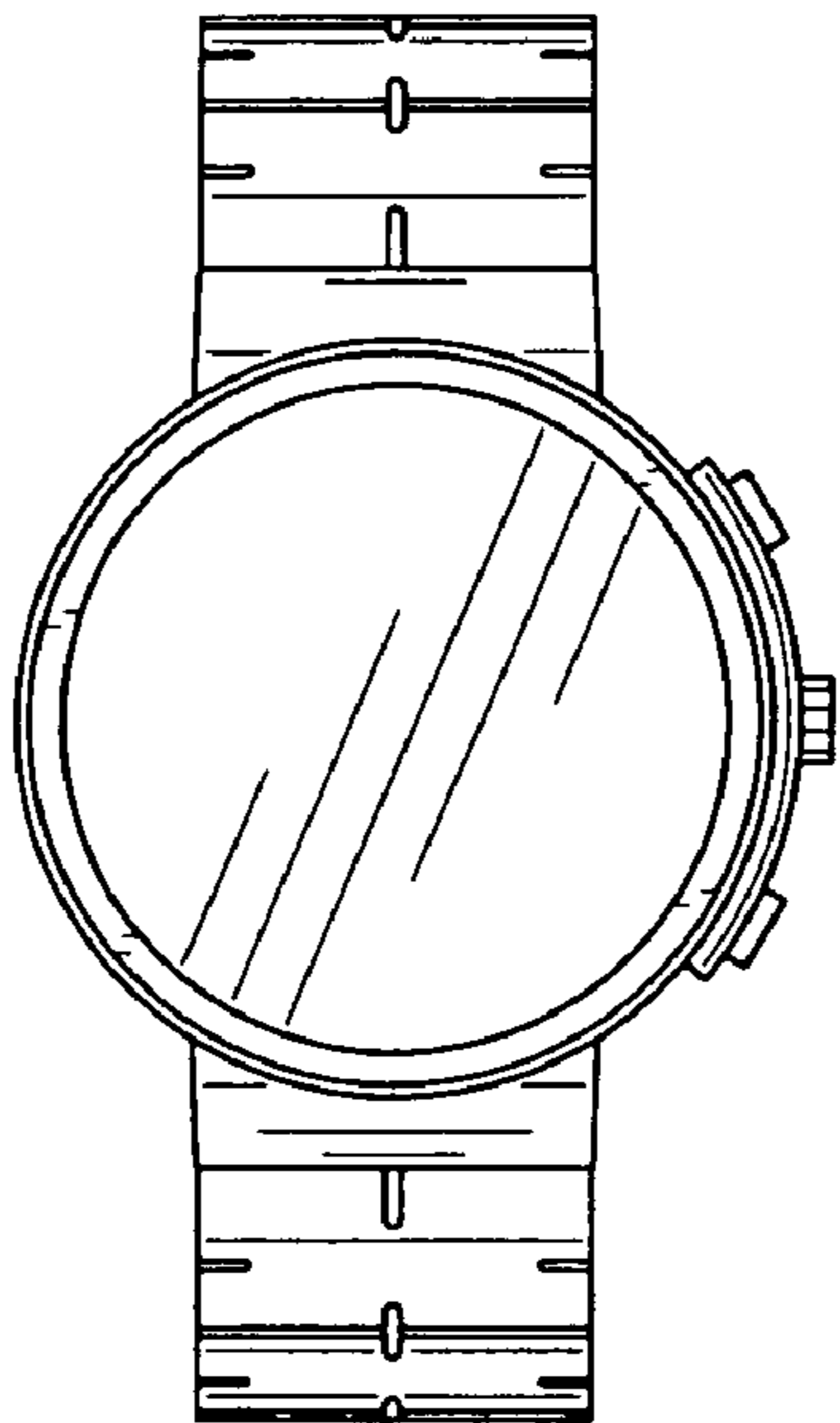


FIG. 6