



US00D574260S

(12) **United States Design Patent**
Grotell et al.

(10) **Patent No.:** **US D574,260 S**
(45) **Date of Patent:** **** Aug. 5, 2008**

(54) **TIMEPIECE**

(75) Inventors: **Steven M. Grotell**, New York, NY (US);
Vicente Mafe, Buchs (CH); **Marc Jenni**,
Bussigny (CH); **Paul Clementi**,
Pontarlier (FR); **Stéphane Widmer**,
Peseux (CH); **Melinda Mellman**, New
York, NY (US)

(73) Assignee: **Tiffany & Co. Watch Center A.G.**,
Zurich (CH)

(**) Term: **14 Years**

(21) Appl. No.: **29/266,634**

(22) Filed: **Sep. 26, 2006**

(51) **LOC (8) Cl.** **10-02**

(52) **U.S. Cl.** **D10/30**

(58) **Field of Classification Search** D10/2-39,
D10/123-132; D11/3-25; D14/489; 224/164-168;
368/10, 21, 28-30, 76, 77, 124-128, 139-144,
368/223, 228-234, 239-242, 276-277, 281-288,
368/294-295, 308, 319-321; 63/3, 3.1
See application file for complete search history.

(56) **References Cited**

U.S. PATENT DOCUMENTS

| | | | | |
|---------------|--------|--------------|-------|---------|
| D115,060 S * | 5/1939 | Barthman | | D10/31 |
| 5,608,694 A * | 3/1997 | Grimm et al. | | 368/127 |
| D403,594 S * | 1/1999 | Liu | | D10/28 |
| D403,971 S * | 1/1999 | Walch | | D10/32 |
| 6,367,965 B1 | 4/2002 | Kiu | | |
| D473,797 S * | 4/2003 | Berliat | | D10/30 |
| D475,647 S | 6/2003 | Grotell | | |
| D490,715 S * | 6/2004 | Ek | | D10/2 |
| D526,581 S * | 8/2006 | Calvani | | D10/39 |
| D526,913 S * | 8/2006 | Calvani | | D10/39 |
| D527,668 S * | 9/2006 | Calvani | | D10/126 |
| D542,301 S * | 5/2007 | Harvey | | D14/489 |
| D548,625 S * | 8/2007 | Schoepfer | | D10/39 |

FOREIGN PATENT DOCUMENTS

CH 198192 1/1938

| | | |
|----|---------|---------|
| CH | 290358 | 4/1953 |
| CH | 639 812 | 12/1983 |
| CH | 668 156 | 12/1988 |
| CH | 151 | 1/1989 |
| CH | 676 187 | 12/1990 |
| CH | 681 415 | 3/1993 |
| CH | 682 117 | 7/1993 |
| CH | 685 224 | 5/1995 |
| CH | 690 522 | 9/2000 |
| CH | 693 833 | 2/2004 |

(Continued)

Primary Examiner—Caron D. Veynar

Assistant Examiner—Ricky Pham

(74) *Attorney, Agent, or Firm*—Peter J. Phillips; Cooper & Dunham LLP

(57) **CLAIM**

The ornamental design for a timepiece, as shown and described.

DESCRIPTION

The timepiece has a tourbillon which can be seen from both the front and back of the timepiece, with no visible structure immediately surrounding the tourbillon, such that the tourbillon appears to float.

FIG. 1 is a front elevational view of a timepiece showing our new design;

FIG. 2 is a side elevational view thereof;

FIG. 3 is a bottom plan view thereof; the top plan view being a mirror image;

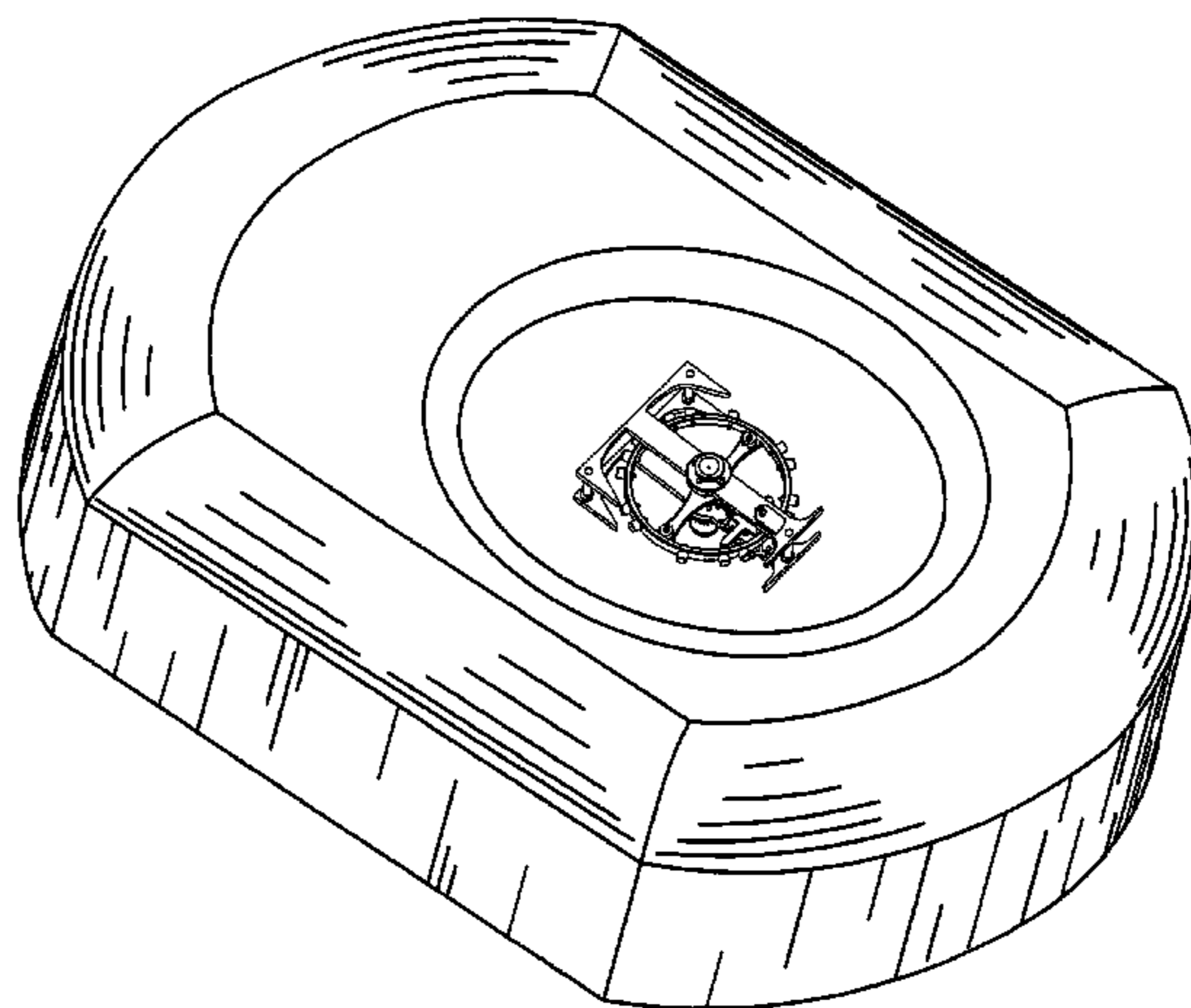
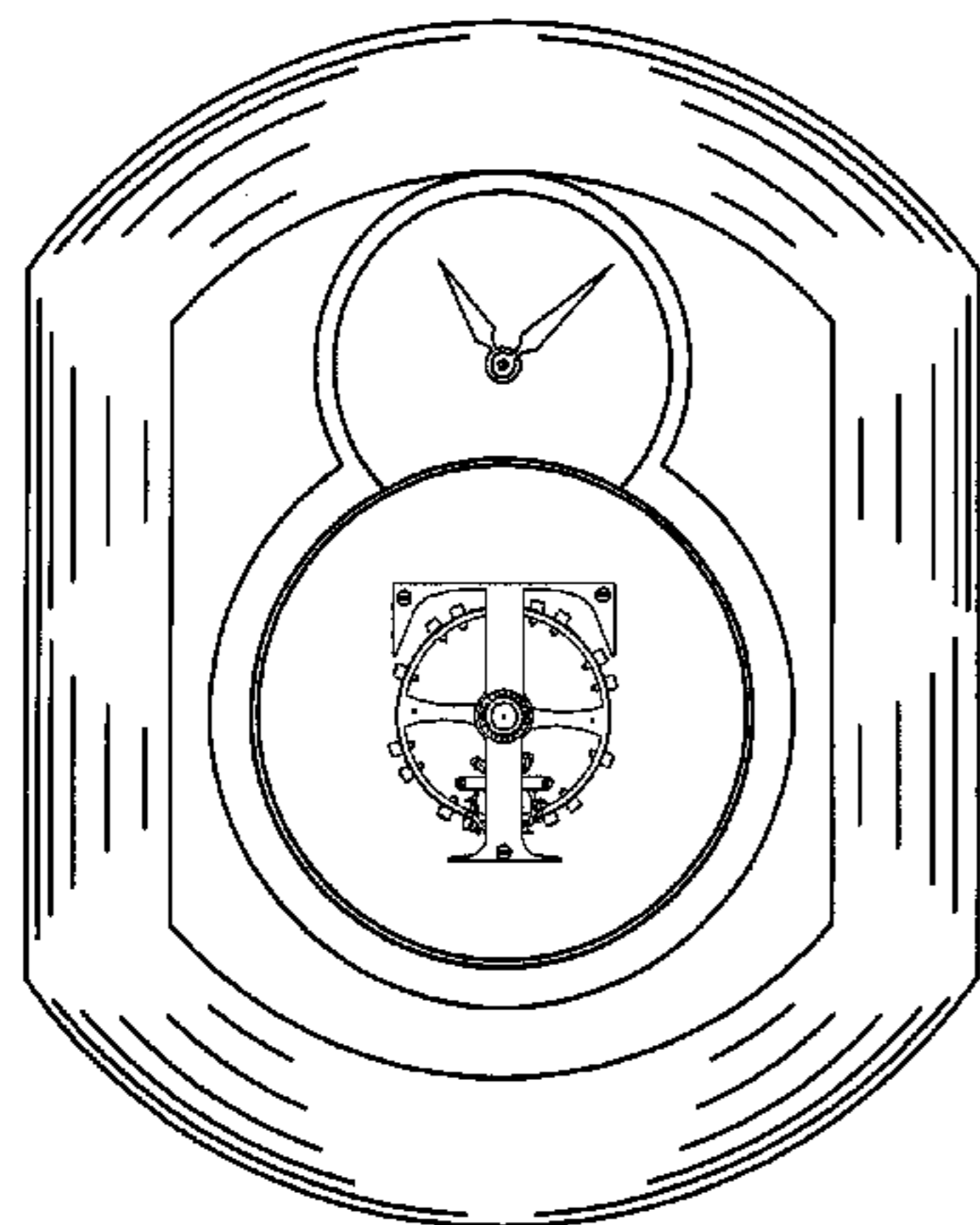
FIG. 4 is a rear elevational view thereof;

FIG. 5 is a rear perspective view thereof;

FIG. 6 is a front perspective view of the tourbillon portion of the timepiece of FIG. 1; shown separately for ease of illustration; and,

FIG. 7 is a front elevational view of the tourbillon portion of the timepiece of FIG. 1; shown separately for ease of illustration.

1 Claim, 5 Drawing Sheets



US D574,260 S

Page 2

| FOREIGN PATENT DOCUMENTS | | |
|--------------------------|-------------------|---------|
| CH | 694 598 | 4/2005 |
| DE | G 84 35 368.6 | 4/1985 |
| DE | G 89 08664.3 | 11/1989 |
| DE | 3940254 A1 | 6/1991 |
| DE | 422 6926 | 9/1993 |
| DE | 29813336 U1 | 12/1998 |
| EP | 0 520 218 B1 | 8/1995 |
| EP | 0 681 227 A1 | 11/1995 |
| EP | 0 727 721 A1 | 8/1996 |
| EP | 0 507 097 B1 | 11/1996 |
| EP | 0 791 191 A1 | 3/1997 |
| EP | 1 055 157 A1 | 7/1999 |
| EP | 1 349 019 | 10/2003 |
| ES | 2 164 024 | 2/2002 |
| FR | 2578335 | 9/1986 |
| FR | 2590998 | 5/1987 |
| FR | 2628855 | 9/1989 |
| FR | 2632426 | 12/1989 |
| GB | 2 050 654 A | 1/1981 |
| GB | 2 176 032 A | 12/1986 |
| JP | 52028358 | 3/1977 |
| JP | 59065787 | 2/1984 |
| WO | WO 2003/048871 A3 | 6/2003 |
| WO | WO 2004/006025 A2 | 1/2004 |

* cited by examiner

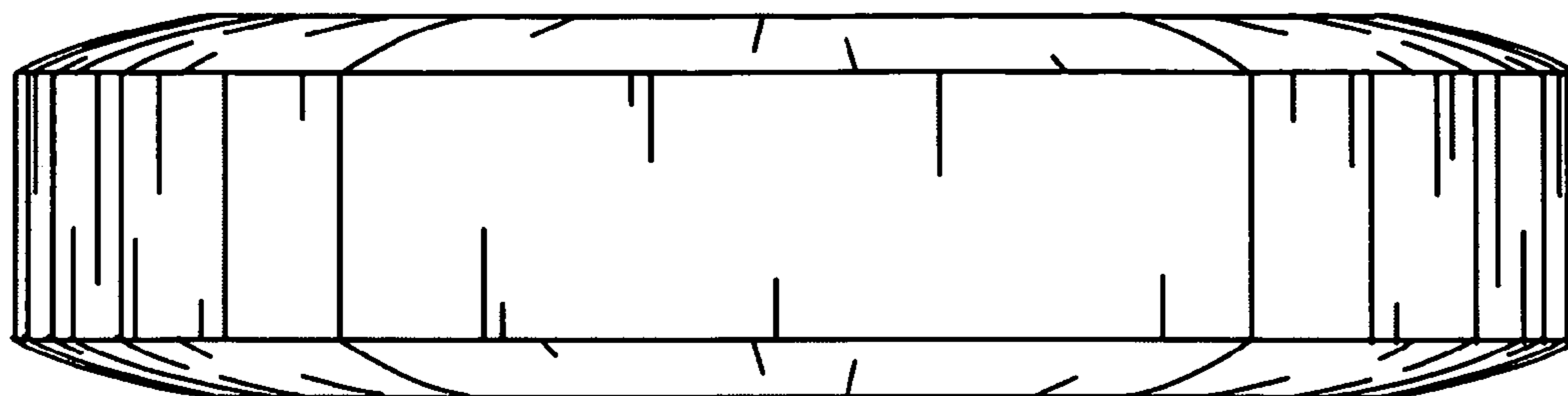


FIG. 2

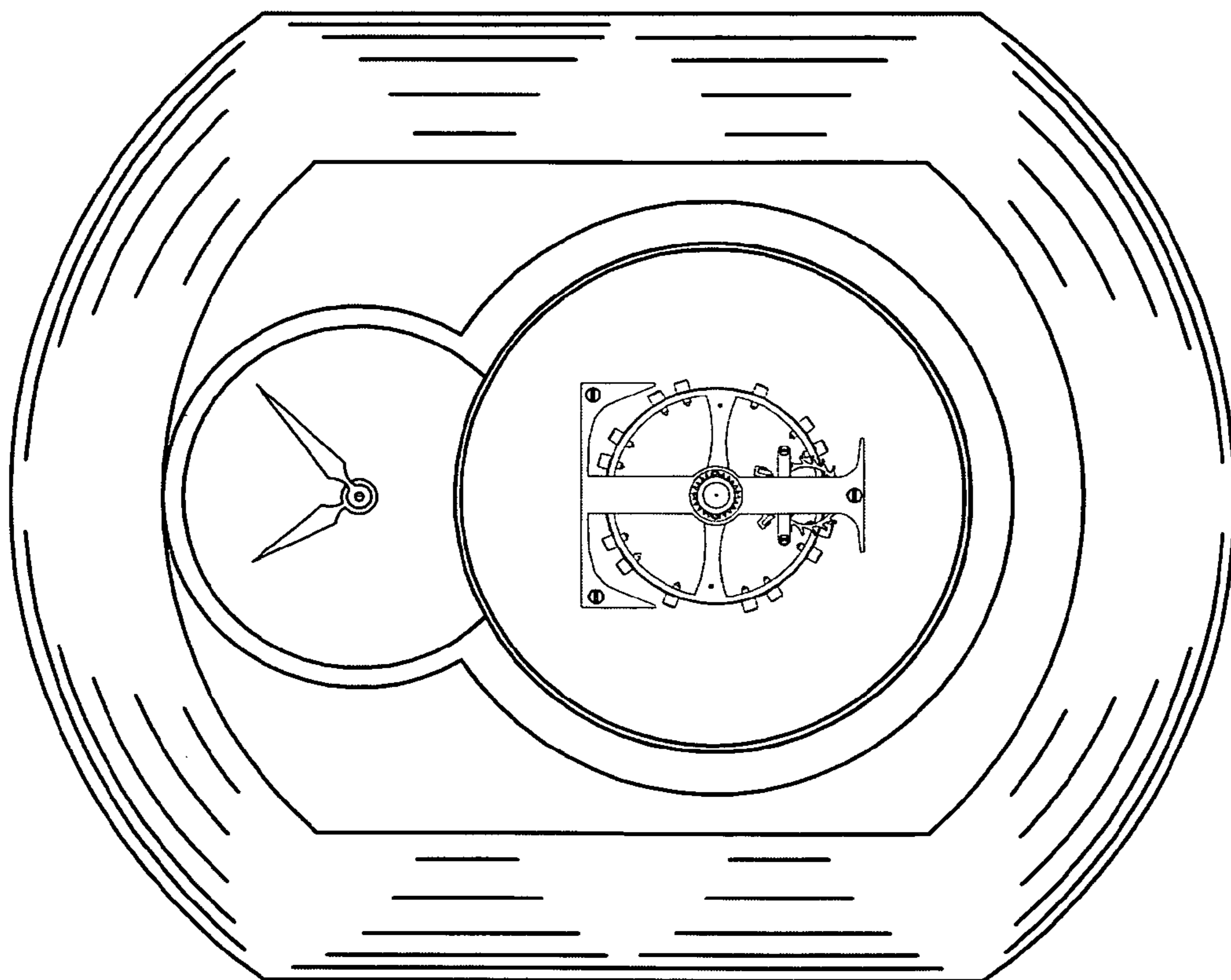


FIG. 1

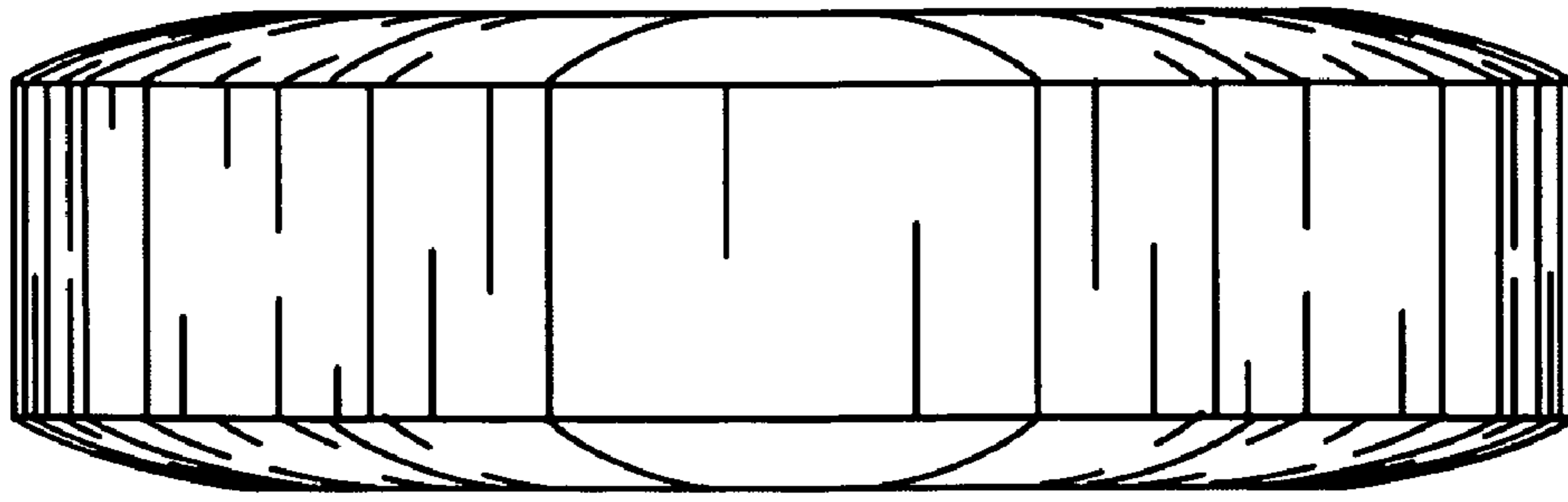


FIG. 3

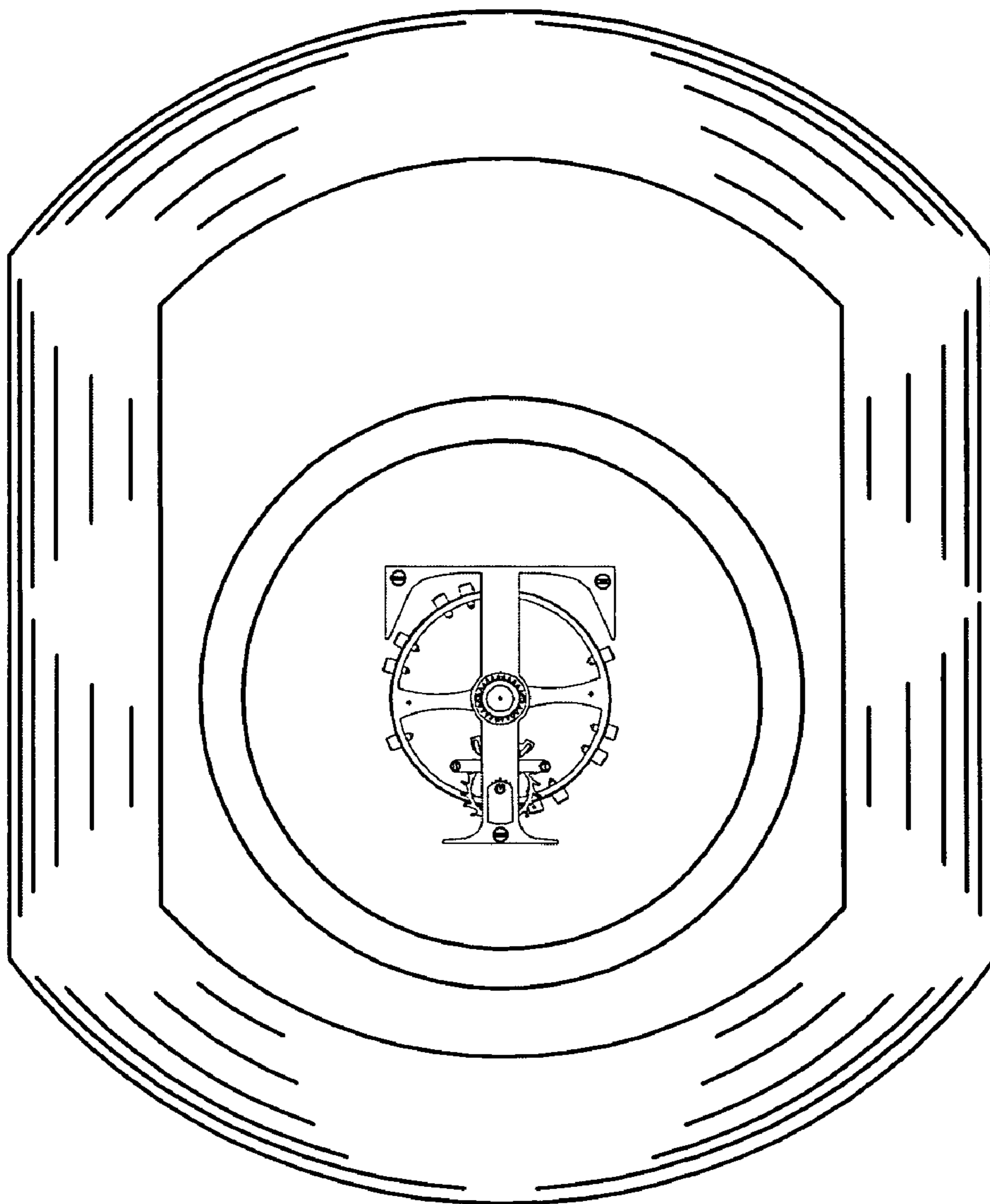


FIG. 4

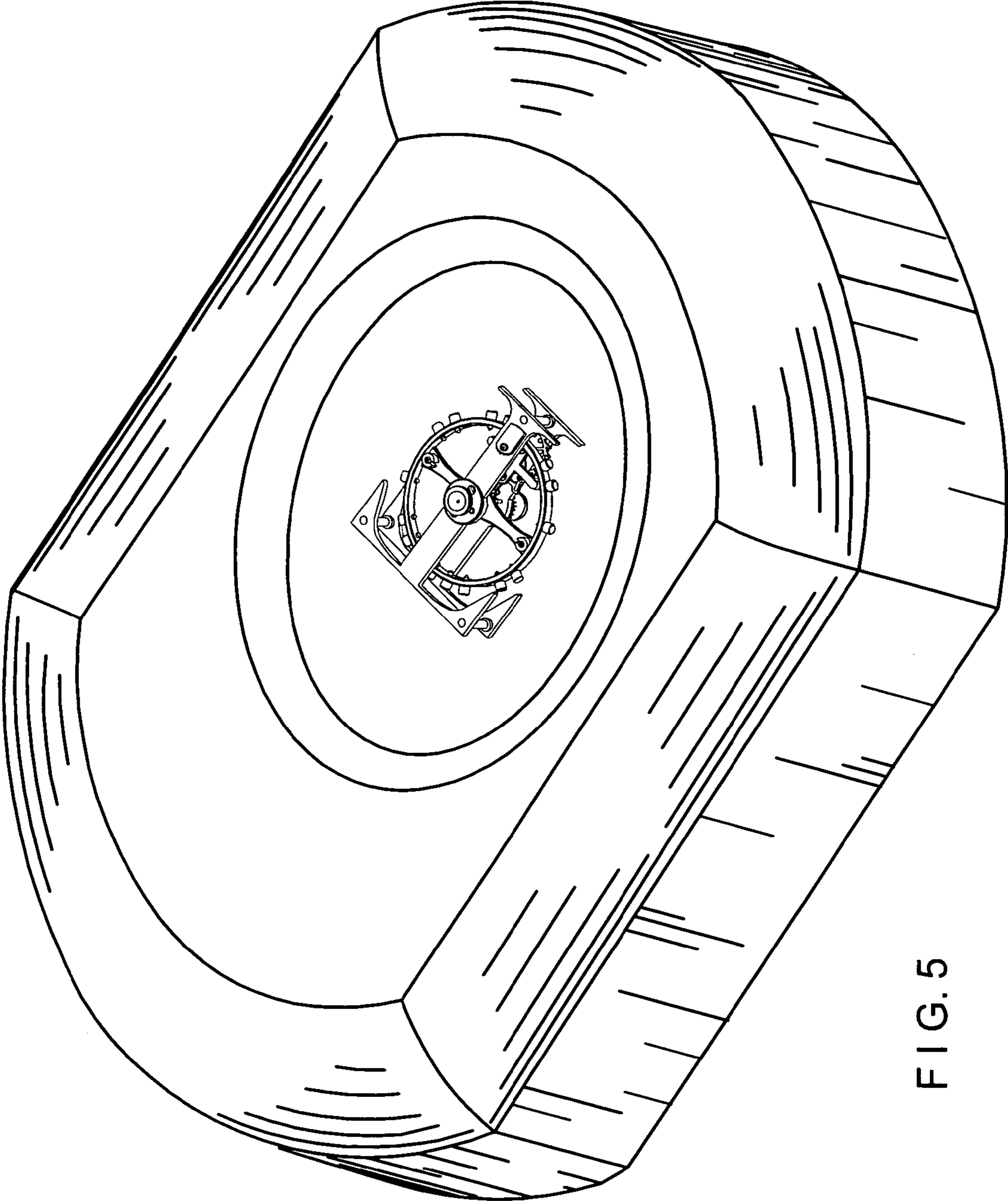


FIG. 5

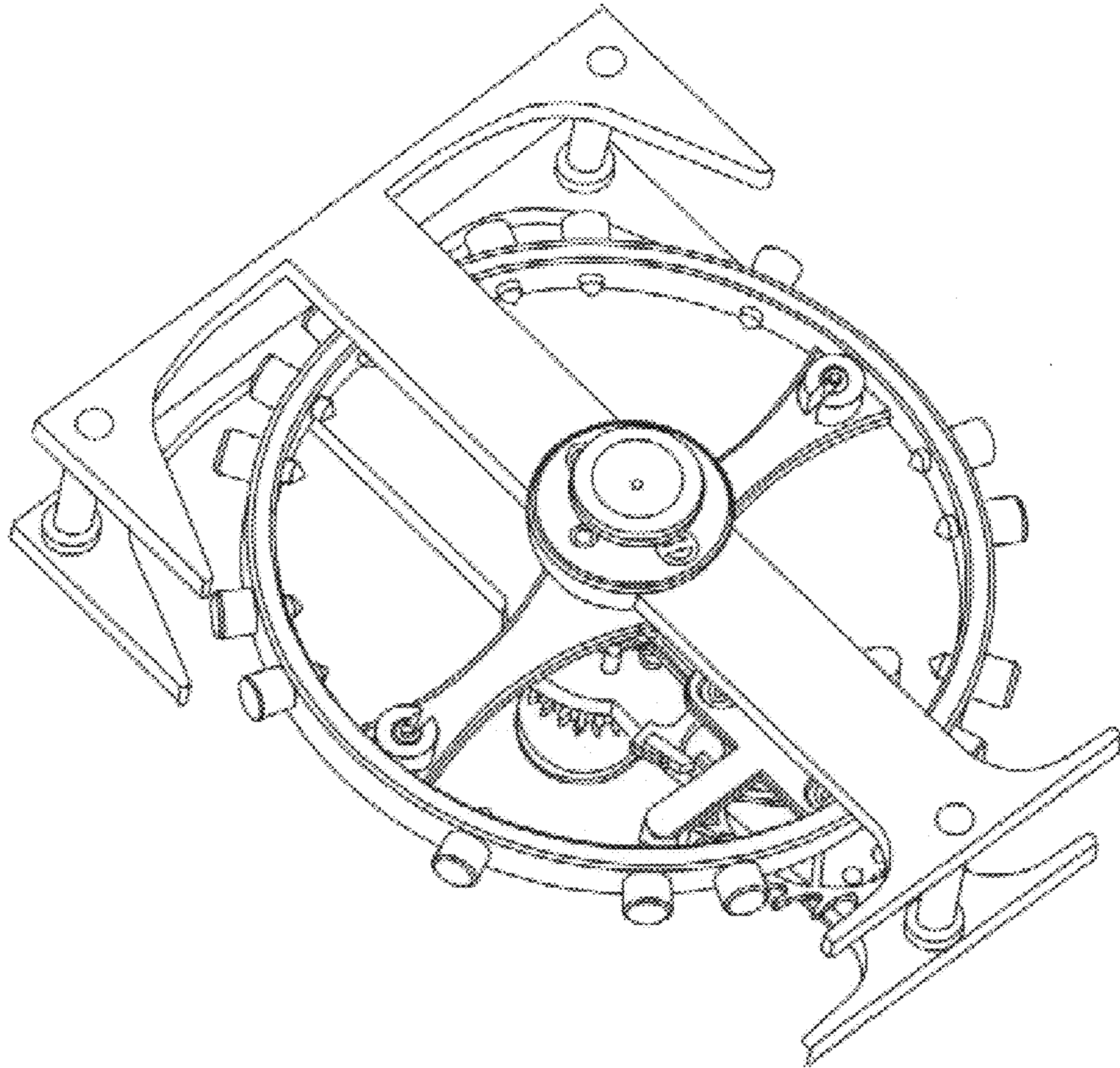


FIG. 6

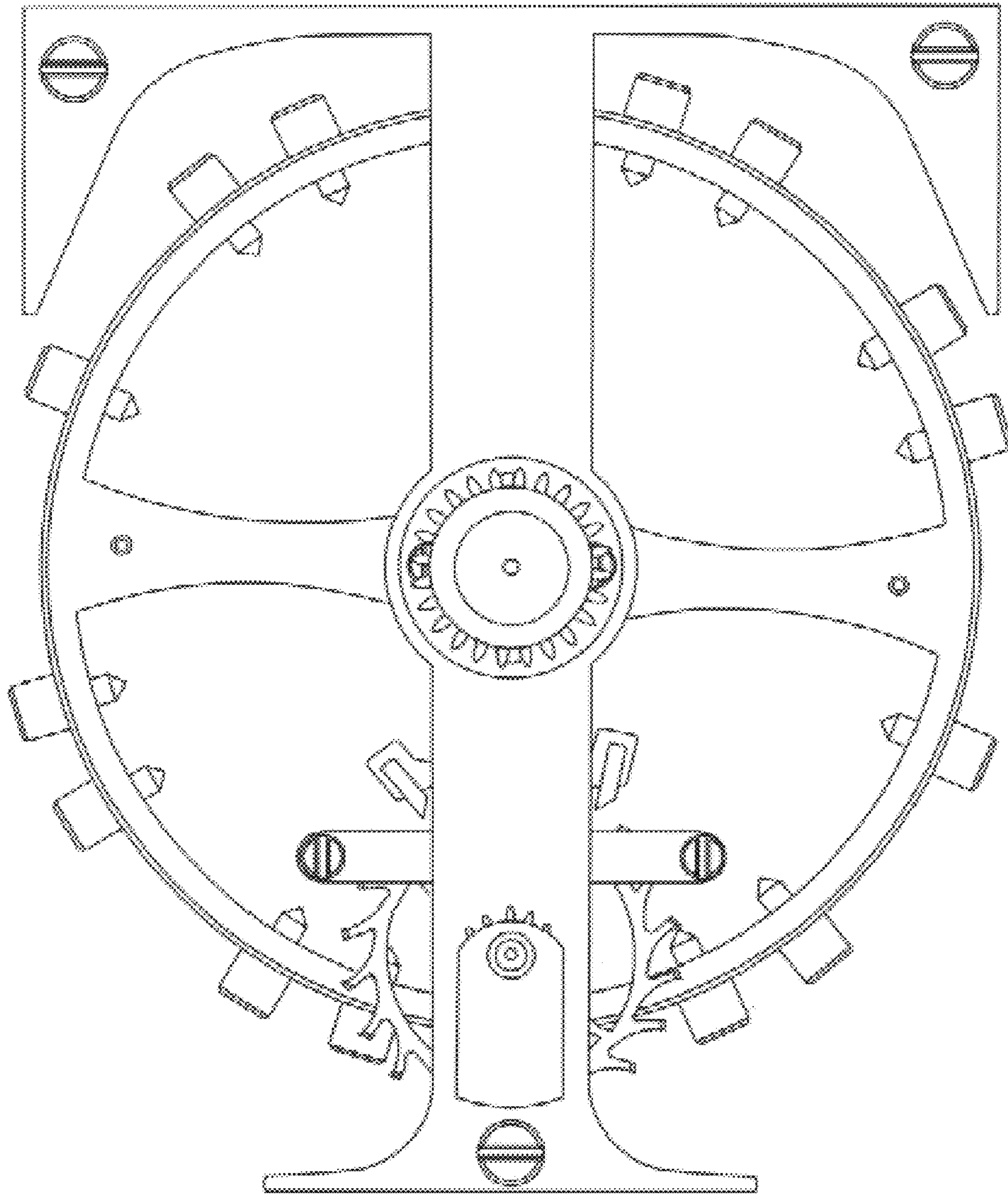


FIG. 7