



US00D574254S

(12) **United States Design Patent**
Kruparova

(10) **Patent No.:** **US D574,254 S**

(45) **Date of Patent:** **** Aug. 5, 2008**

(54) **PLASTIC CONTAINER**

D558,054 S * 12/2007 Melrose et al. D9/549

(75) Inventor: **Petra Kruparova**, Banska (SK)

* cited by examiner

(73) Assignee: **Plastipak Packaging, Inc.**, Plymouth, MI (US)

Primary Examiner—Sandra Morris

(74) *Attorney, Agent, or Firm*—Dykema Gossett PLLC

(**) Term: **14 Years**

(57) **CLAIM**

(21) Appl. No.: **29/286,221**

The ornamental design for a plastic container, as shown and described.

(22) Filed: **Apr. 27, 2007**

DESCRIPTION

(51) **LOC (8) Cl.** **09-01**

(52) **U.S. Cl.** **D9/645**

(58) **Field of Classification Search** D9/600,
D9/643–647, 516, 544–545, 549; 206/457,
206/822; 215/400; 220/890; D3/270, 271.1,
D3/271.9; D7/514–515, 619.2, 628
See application file for complete search history.

FIG. 1 is a perspective view of the plastic container showing the front, top and right side of my new design;

FIG. 2 is a side elevation view thereof showing the front;

FIG. 3 is a side elevation view thereof showing the right side;

FIG. 4 is a side elevation view thereof showing the rear;

FIG. 5 is a side elevation view thereof showing the left side;

FIG. 6 is a top plan view thereof; and,

FIG. 7 is a bottom plan view thereof.

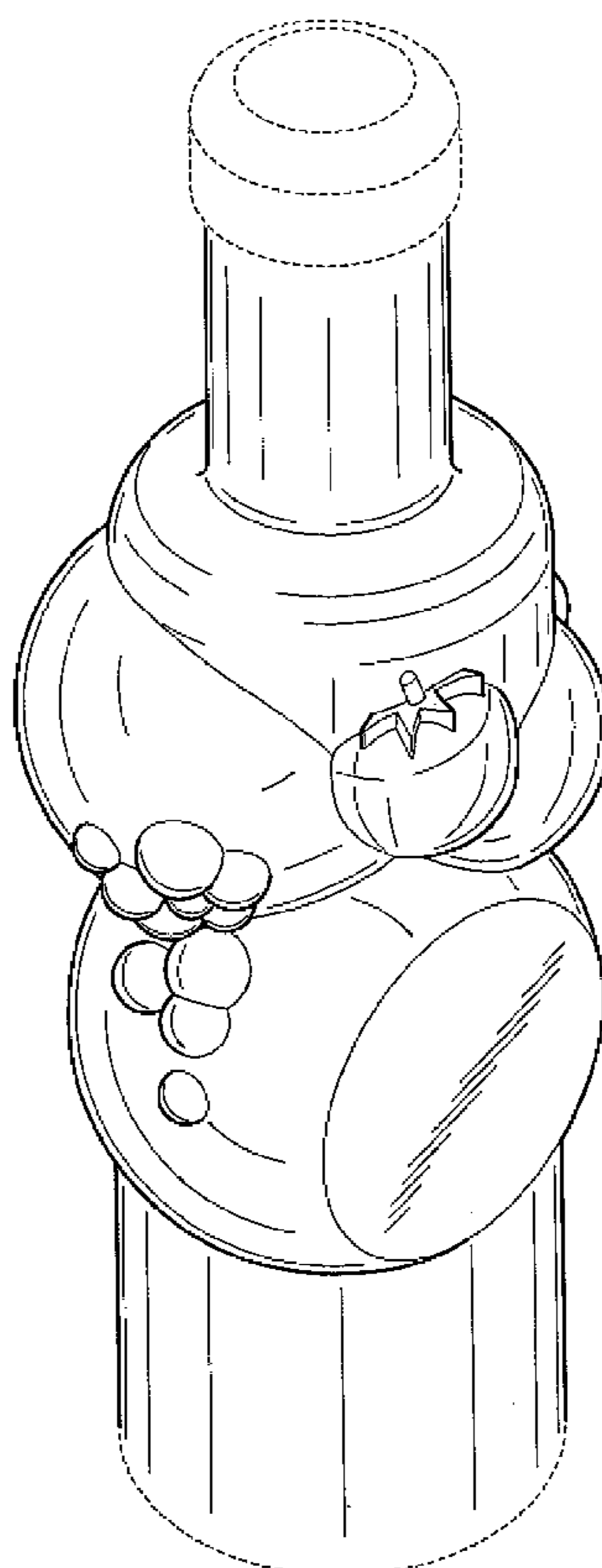
The broken lines in the drawings depict probable environment only and form no part of the claimed design.

(56) **References Cited**

U.S. PATENT DOCUMENTS

- D71,447 S * 11/1926 Mas D9/647
- D88,428 S * 11/1932 Mezquita D9/646
- D337,724 S * 7/1993 Bostwich et al. D9/647
- D471,438 S * 3/2003 Bianco et al. D9/600

1 Claim, 6 Drawing Sheets



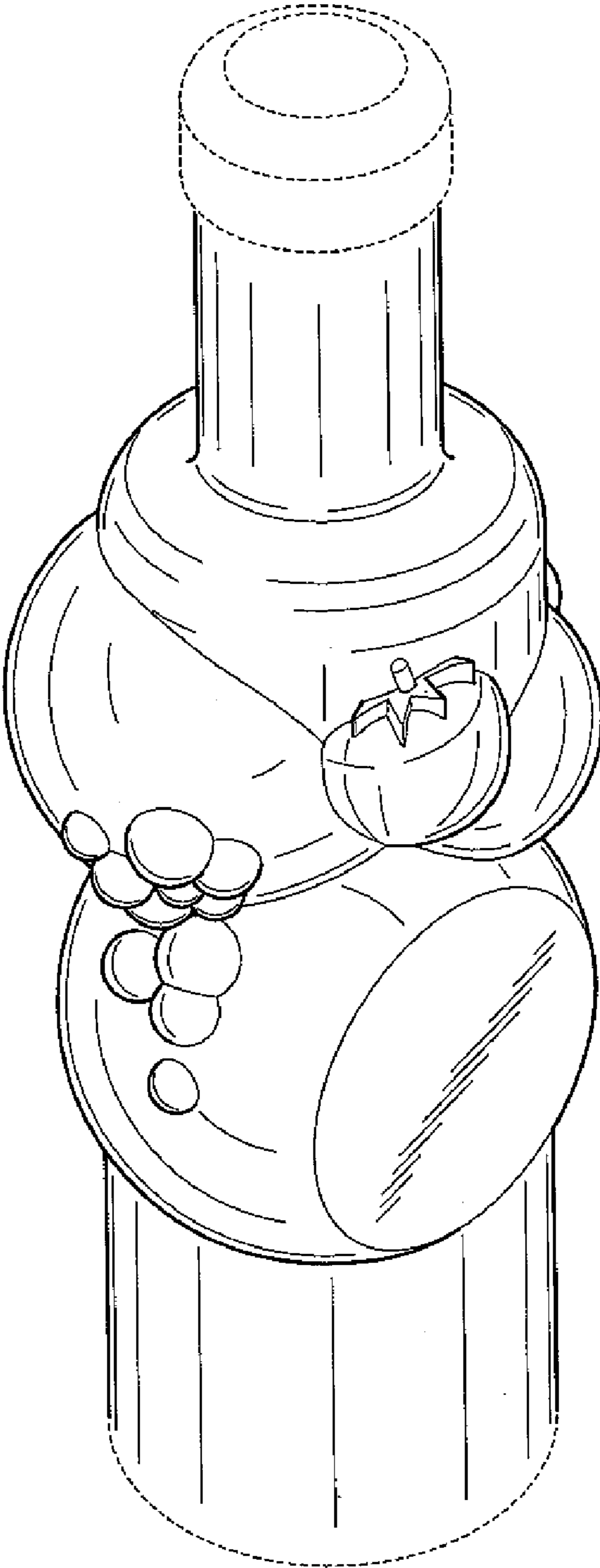


FIG. 1

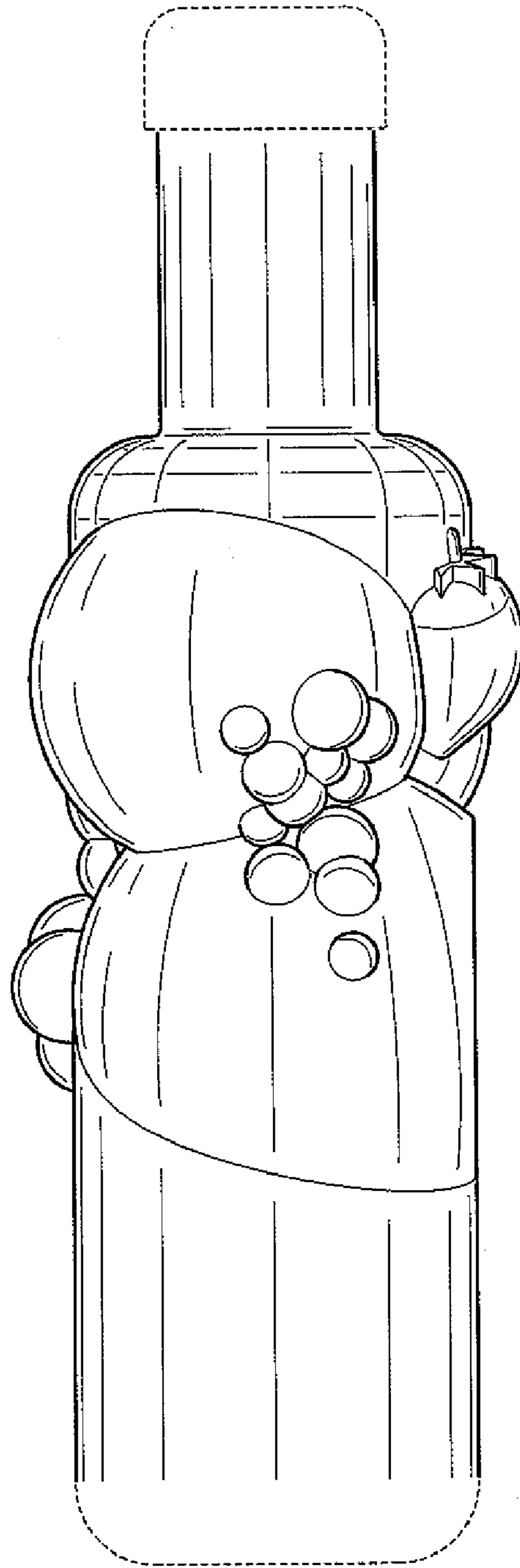


FIG. 2

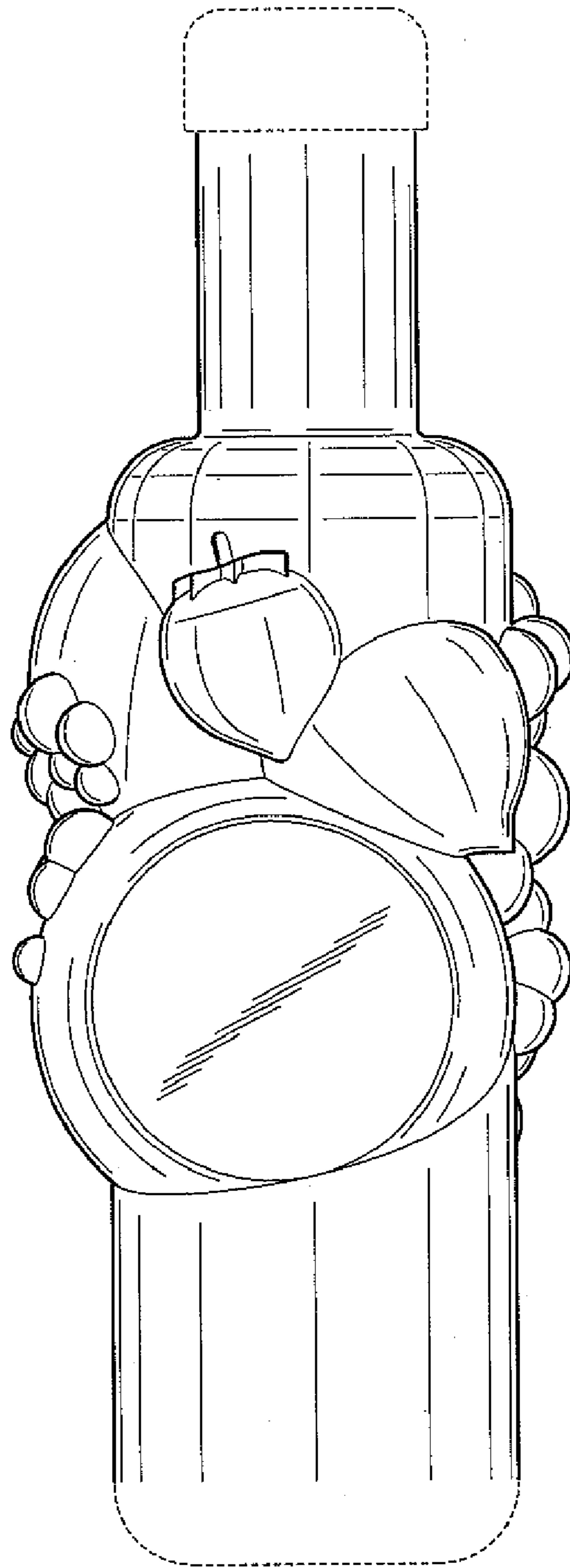


FIG. 3

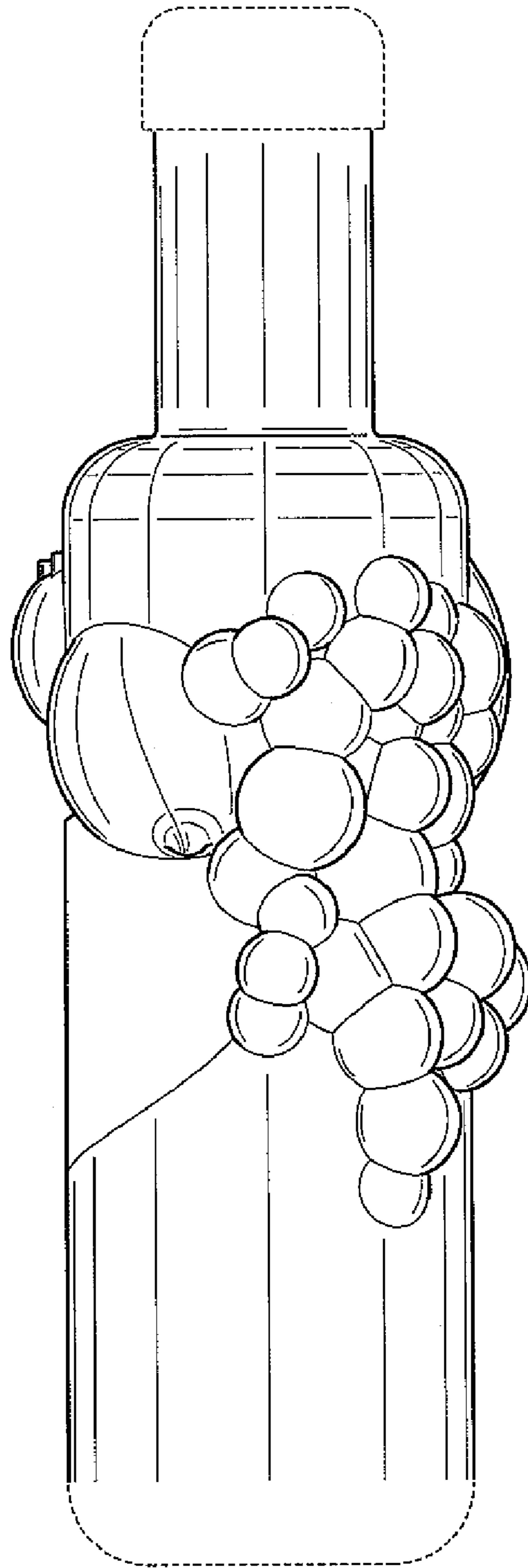


FIG. 4

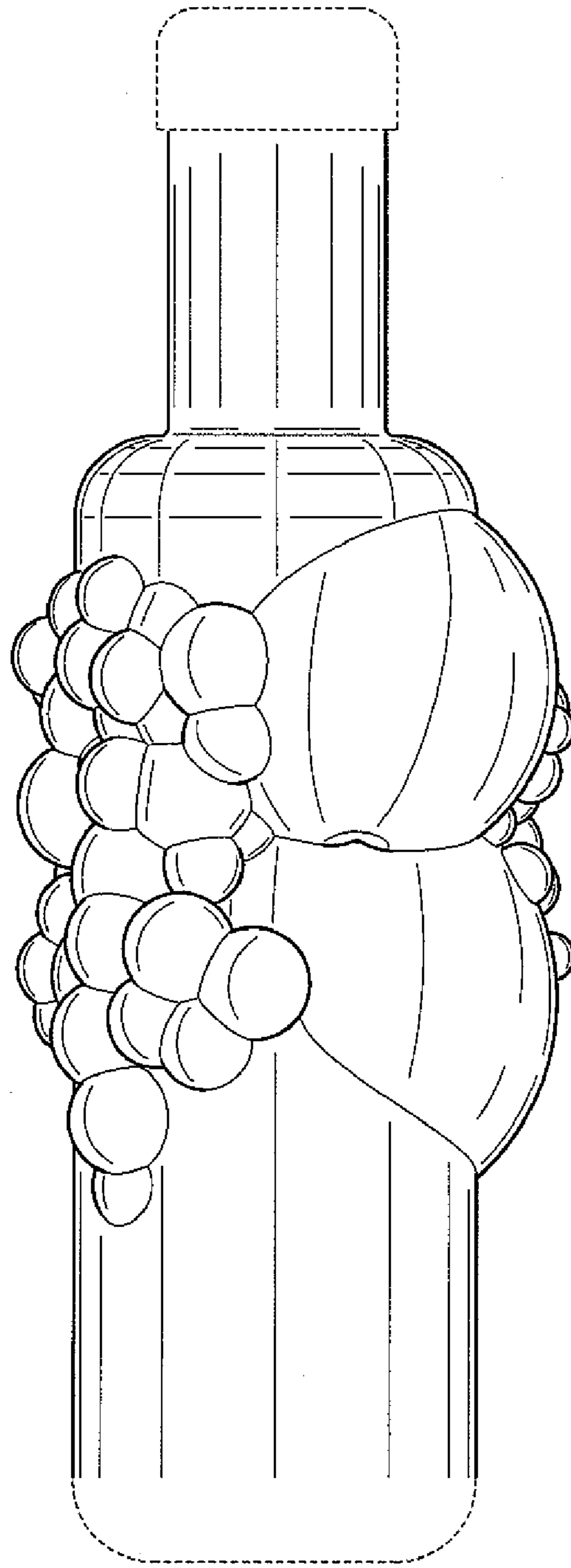


FIG. 5

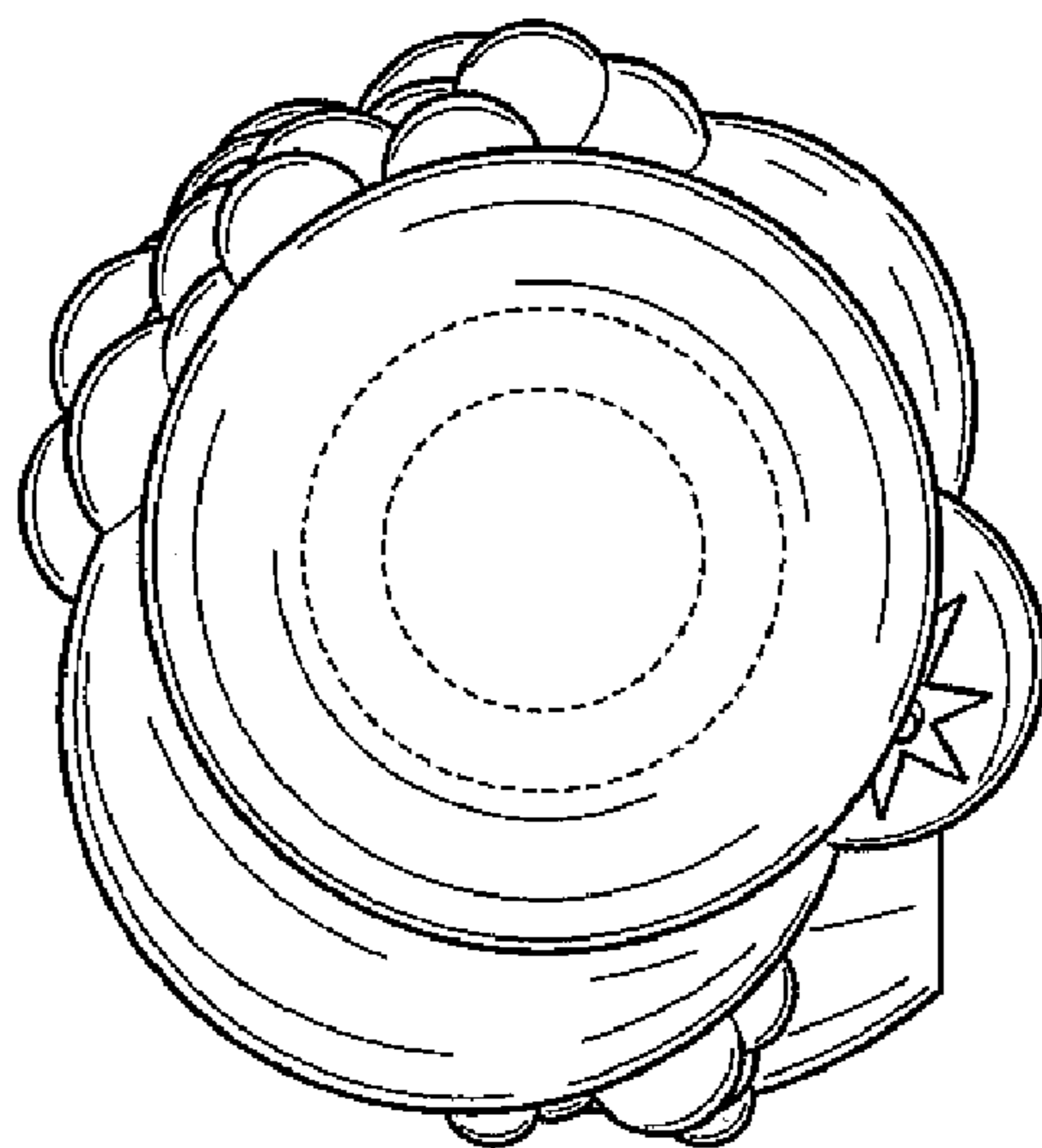


FIG. 6

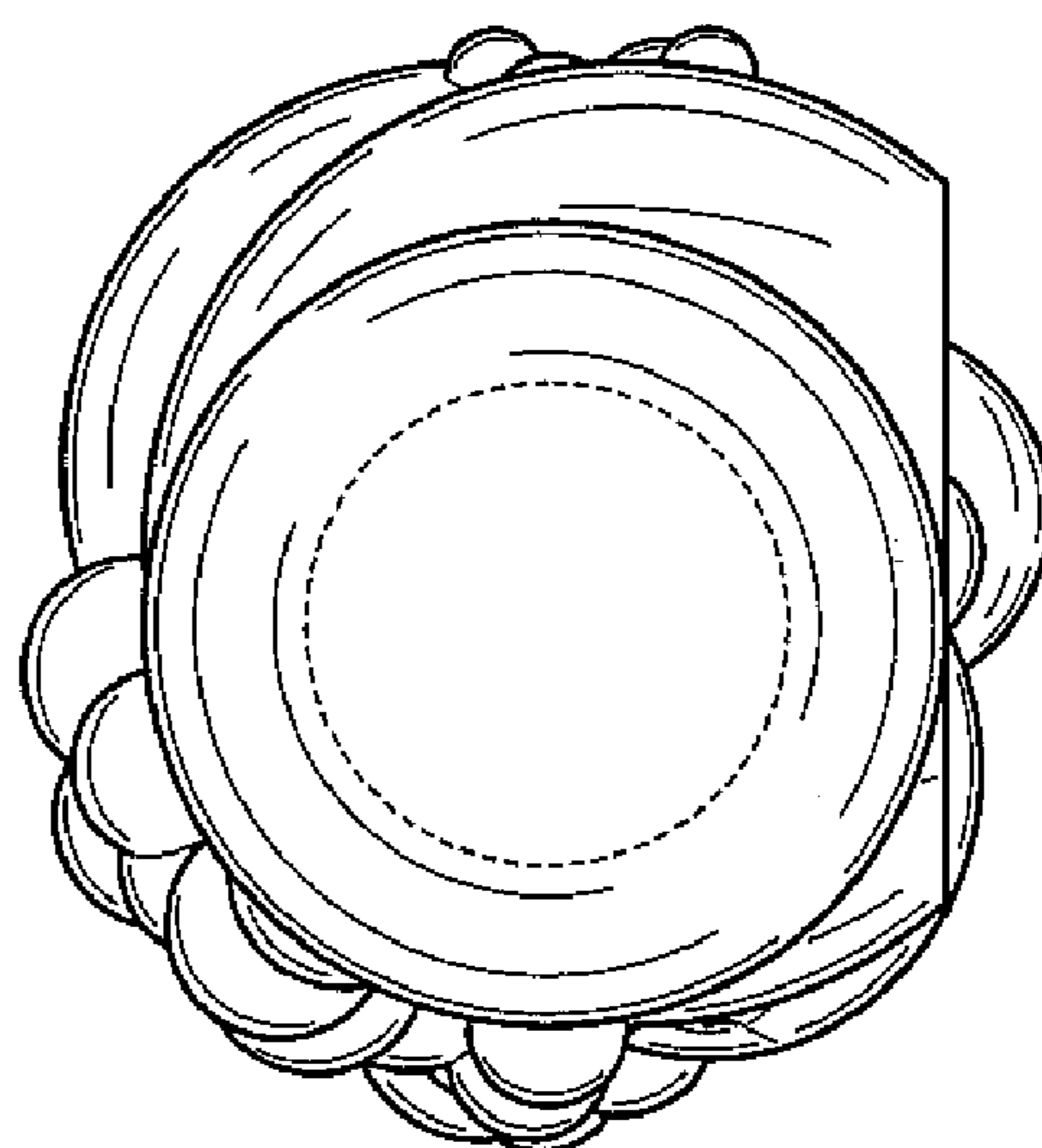


FIG. 7