



US00D574245S

(12) **United States Design Patent**
Crawford et al.

(10) **Patent No.:** **US D574,245 S**
(45) **Date of Patent:** **** Aug. 5, 2008**

(54) **LOWER PORTION OF A CONTAINER**

(75) Inventors: **John C. Crawford**, Mahopac, NY (US);
Roland Charriez, Mohegan Lake, NY (US)

(73) Assignee: **Colgate-Palmolive Company**, New York, NY (US)

(**) Term: **14 Years**

(21) Appl. No.: **29/278,218**

(22) Filed: **Mar. 22, 2007**

(51) **LOC (8) Cl.** **09-01**

(52) **U.S. Cl.** **D9/516; D9/516; D9/544; D9/574**

(58) **Field of Classification Search** D9/516, D9/522, 530, 537, 540, 543, 545, 549, 571, D9/544, 575, 542, 539, 574, 500, 502, 505, D9/687-691; 215/381-385, 396, 398

See application file for complete search history.

(56) **References Cited**

U.S. PATENT DOCUMENTS

- 297,075 A * 4/1884 Harden 169/36
- D21,728 S * 7/1892 Fraiser D9/542
- D68,340 S 9/1925 Oppenheim, Jr.
- D71,162 S * 9/1926 Smith D9/544
- D95,888 S 6/1935 Adams
- D102,283 S 12/1936 Marrow
- D111,169 S * 9/1938 Bicks D9/567
- D124,748 S 1/1941 Lloyd
- D136,219 S 8/1943 Breeden
- D157,508 S 2/1950 Montenier
- D178,131 S * 6/1956 Lorenzen D9/566
- D201,220 S 5/1965 Lorenzen
- D205,798 S * 9/1966 Parcels D9/550
- D207,801 S 5/1967 Roberts
- D222,611 S 11/1971 Strand
- D228,281 S 9/1973 Hoffman
- D229,544 S 12/1973 Weckman
- D237,461 S * 11/1975 Kretz D9/545
- D238,555 S * 1/1976 Blank D9/550

- D241,418 S 9/1976 Koenigsberg
- D245,317 S 8/1977 Pardo
- D263,931 S 4/1982 de Nola
- D265,975 S 8/1982 Vaussanvin
- D278,411 S 4/1985 Reitzel et al.
- D284,739 S 7/1986 Thieffry
- D302,386 S * 7/1989 Sala D9/529
- D302,792 S * 8/1989 Dinand D9/529
- D304,688 S * 11/1989 Miyakawa D9/566
- D315,501 S * 3/1991 Durand D9/564

(Continued)

FOREIGN PATENT DOCUMENTS

AU 96326 4/1987

(Continued)

Primary Examiner—Stella M. Reid
(74) *Attorney, Agent, or Firm*—Michael J. Wallace, Jr.

(57) **CLAIM**

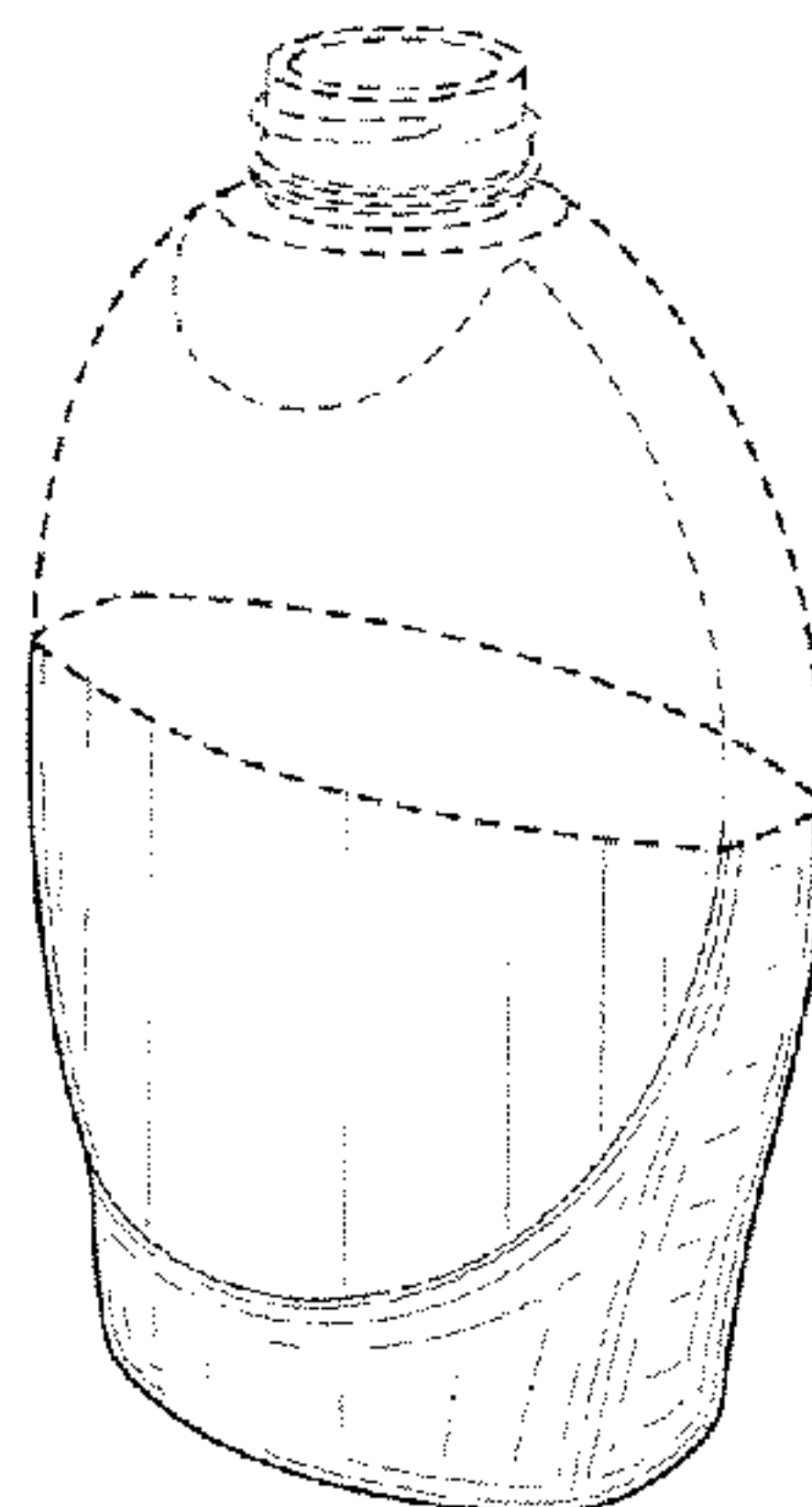
The ornamental design for a lower portion of a container, as shown and described.

DESCRIPTION

FIG. 1 is a perspective view of a lower portion of a container showing our new design;
FIG. 2 is a front elevation view thereof.
FIG. 3 is a rear elevation view thereof.
FIG. 4 is a left side elevation view thereof.
FIG. 5 is a right side elevation view thereof.
FIG. 6 is a top plan view thereof; and,
FIG. 7 is a bottom plan view thereof.

The broken line showing of the upper portion of the container and the bottom of the container is for illustrative purposes only and forms no part of the claimed design.

1 Claim, 6 Drawing Sheets



US D574,245 S

Page 2

U.S. PATENT DOCUMENTS

D316,969 S	5/1991	Wiseman et al.	
D321,132 S	10/1991	Wiseman et al.	
D322,029 S	12/1991	Caputo	
D329,805 S *	9/1992	Normand	D9/520
D357,856 S	5/1995	Kudo et al.	
D369,294 S	4/1996	Hirato	
D376,310 S	12/1996	Crawford	
D378,276 S	3/1997	Kotoucek et al.	
D381,261 S	7/1997	Crawford	
D395,399 S	6/1998	Crawford	
D398,532 S	9/1998	Crawford	
D406,066 S	2/1999	Crawford	
D413,807 S	9/1999	Mikla	
D414,103 S	9/1999	Crawford	
D414,117 S	9/1999	Mikla	
D416,805 S	11/1999	Mikla	
D421,215 S	2/2000	Crawford	
D423,368 S	4/2000	Crawford	
D433,623 S	11/2000	Crawford	
D433,637 S	11/2000	Hailey et al.	
D450,247 S *	11/2001	Johnson et al.	D9/542
D451,008 S	11/2001	Crawford	
D480,008 S	9/2003	Maus	
D482,624 S	11/2003	Hadkte et al.	
D484,403 S	12/2003	Crawford	
D490,320 S	5/2004	Guislain	
D491,813 S	6/2004	Calello	
D513,189 S	12/2005	Busa, Jr. et al.	
D514,948 S	2/2006	Busa, Jr. et al.	
D517,416 S	3/2006	Borgerson et al.	

D550,564 S * 9/2007 Spencer D9/558

FOREIGN PATENT DOCUMENTS

AU	96327	4/1987
AU	96328	4/1987
AU	96329	4/1987
AU	99567	2/1988
AU	99958	3/1988
AU	109887	12/1990
AU	109888	12/1990
AU	139144	12/1999
AU	140220	3/2000
AU	141555	8/2000
AU	146733	2/2002
AU	150634	2/2003
AU	151792	5/2003
AU	151837	5/2003
AU	151838	5/2003
AU	151839	5/2003
AU	151840	5/2003
AU	151841	5/2003
BR	MI 3600902	9/1977
BR	MI 3600903	9/1977
BR	MI 4901641	5/1990
BR	DI 5800581-1	12/1998
BR	DI 5801379-2	6/2000
BR	DI 6203612-2 F	3/2003
BR	DI 6304060-3 F	2/2004
DM	050324	3/2000
DM	063943	8/2003
FR	374674-374677	10/1994
FR	374674 - 374677	10/1994
RU	49646	12/2001

* cited by examiner

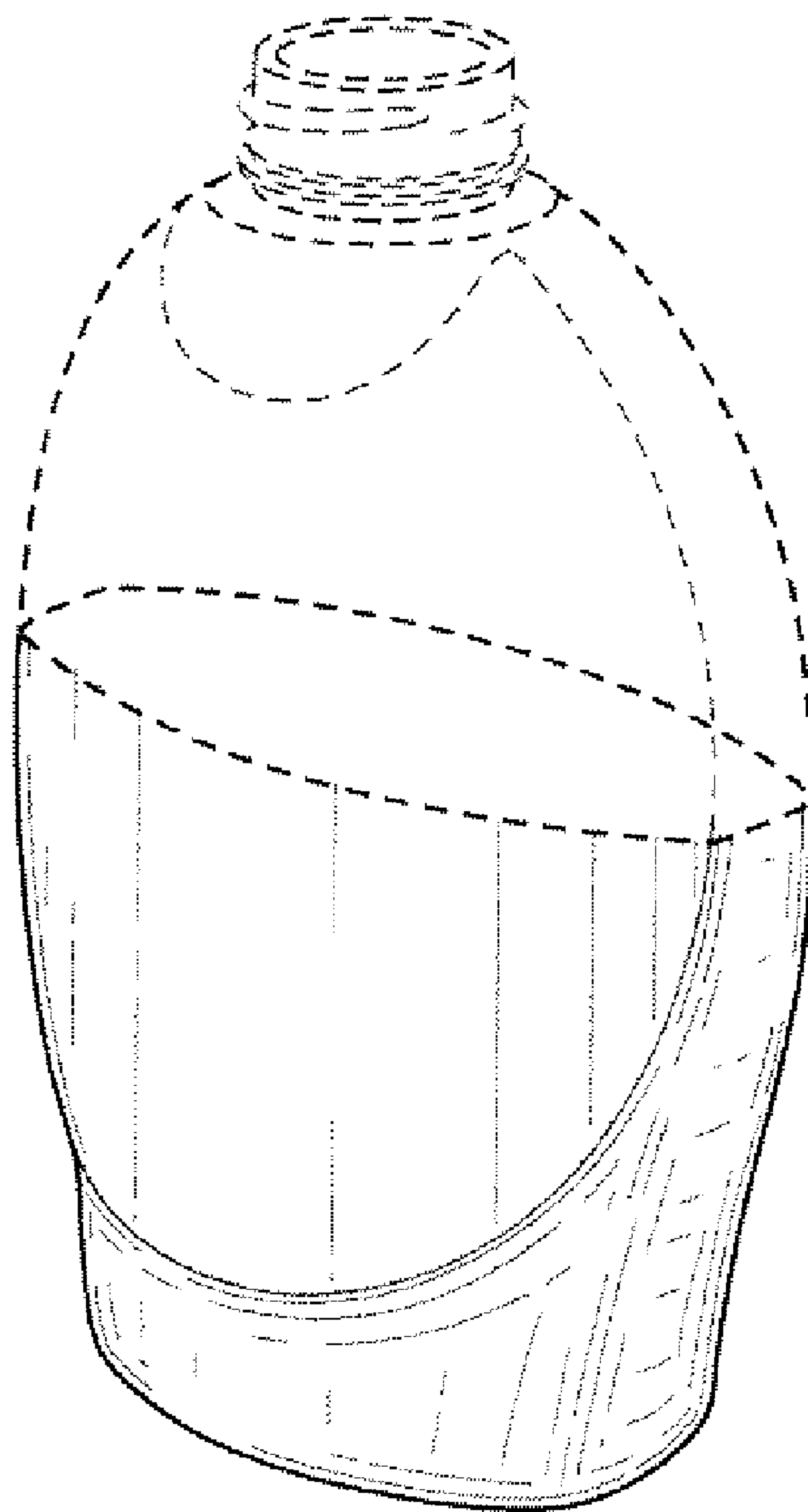


FIG. 1

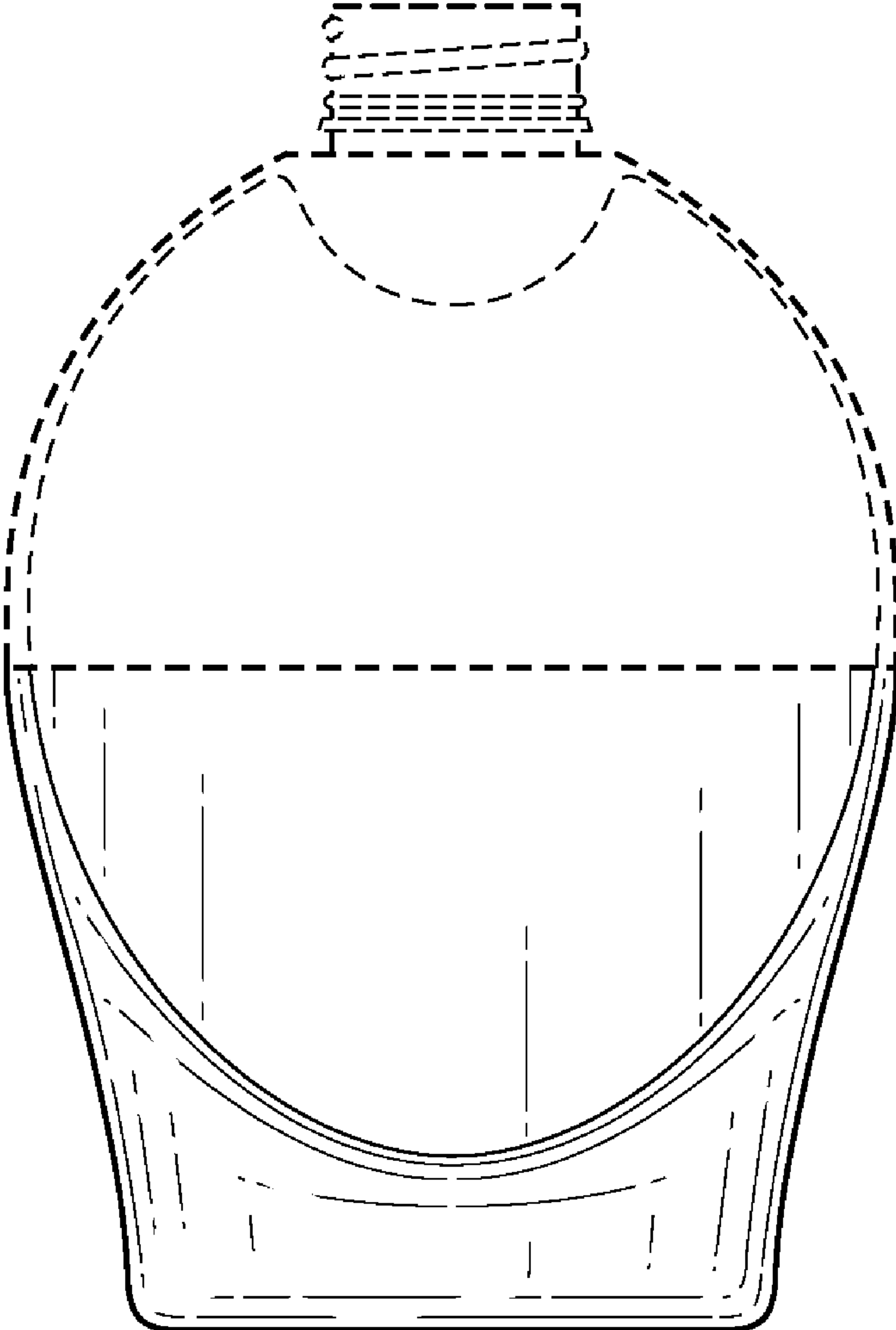


FIG. 2

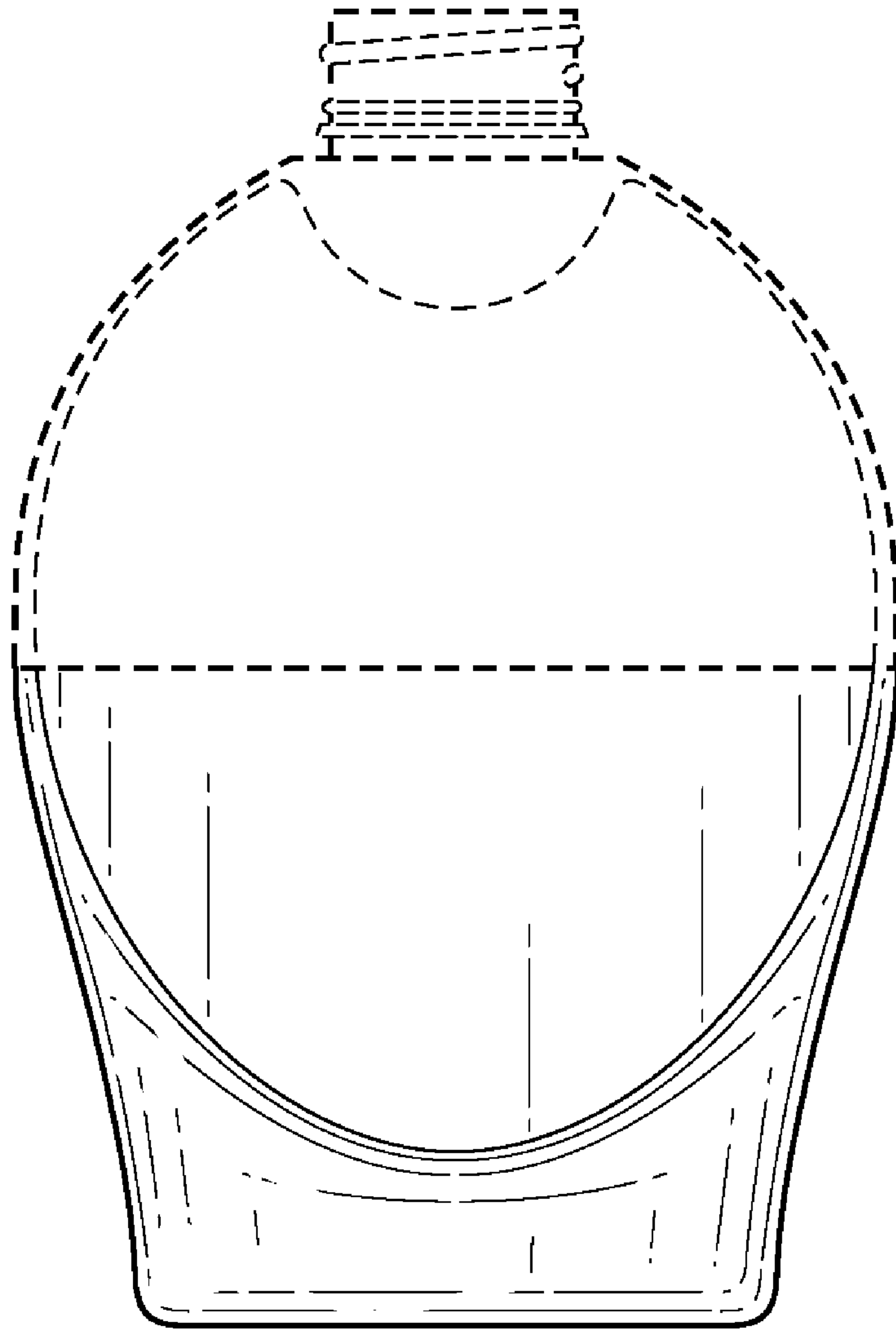


FIG. 3

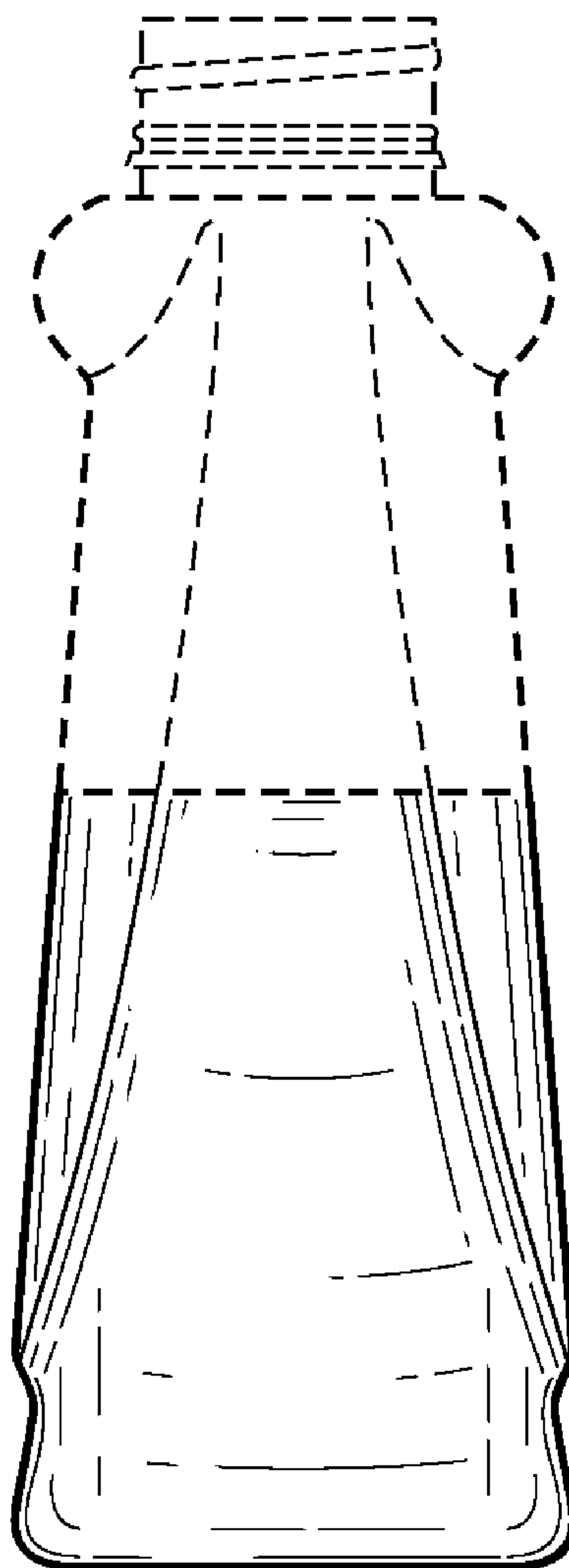


FIG. 4

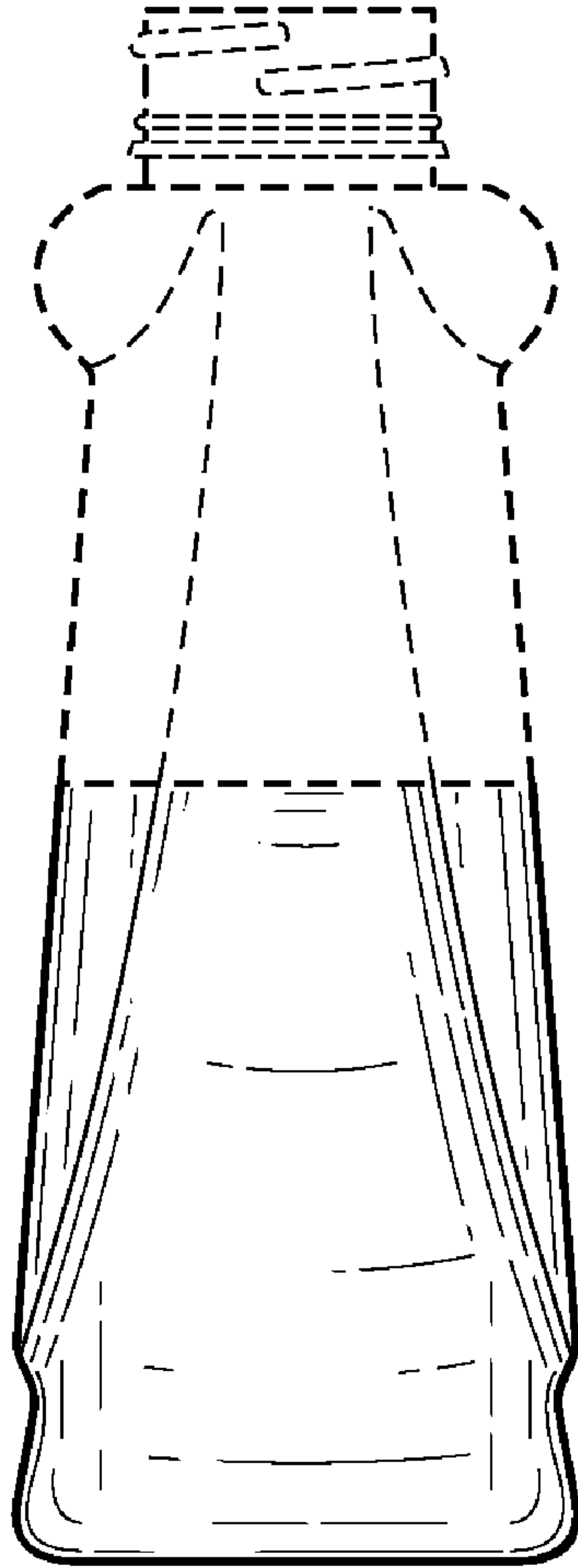


FIG. 5

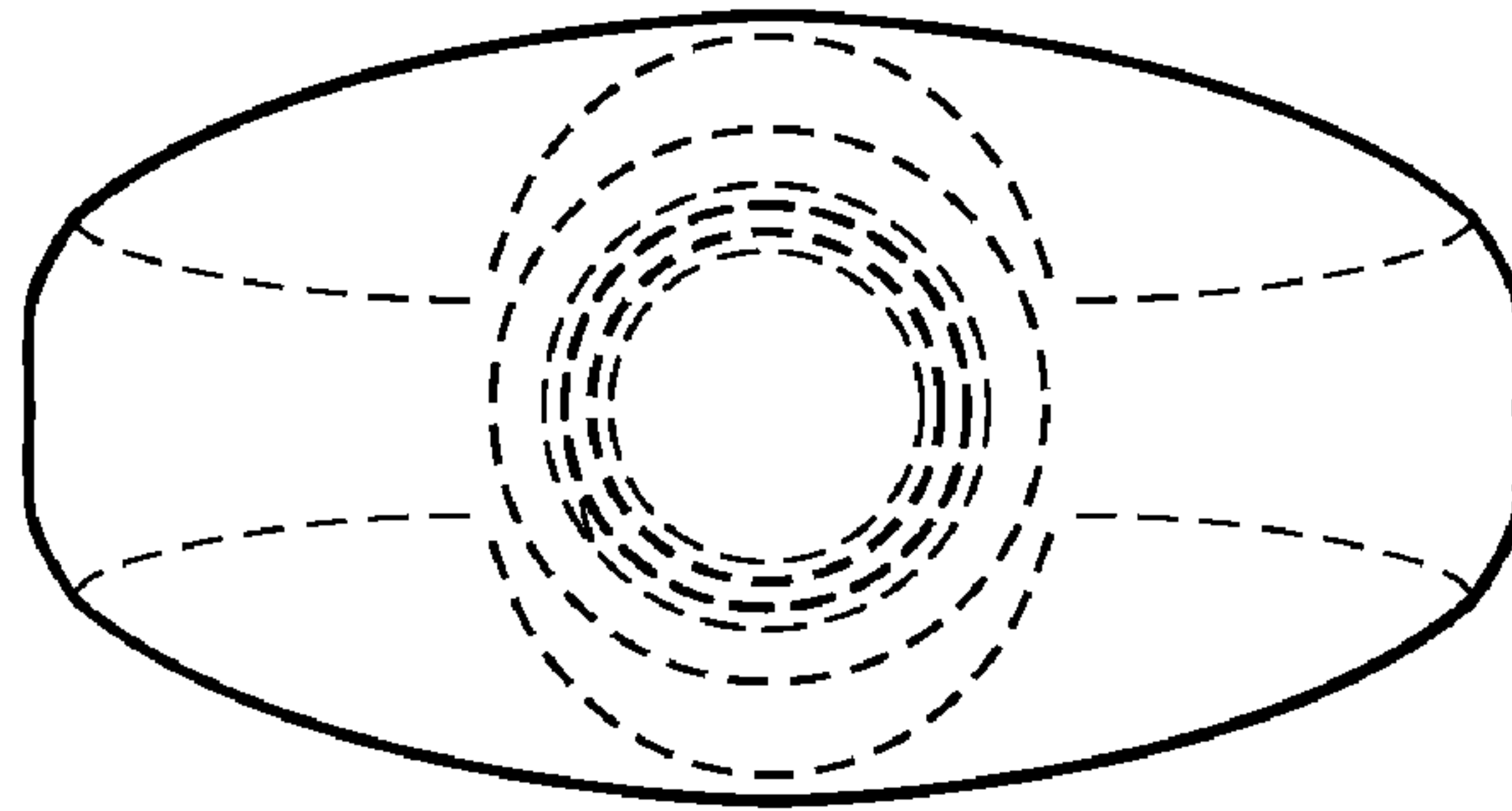


FIG. 6

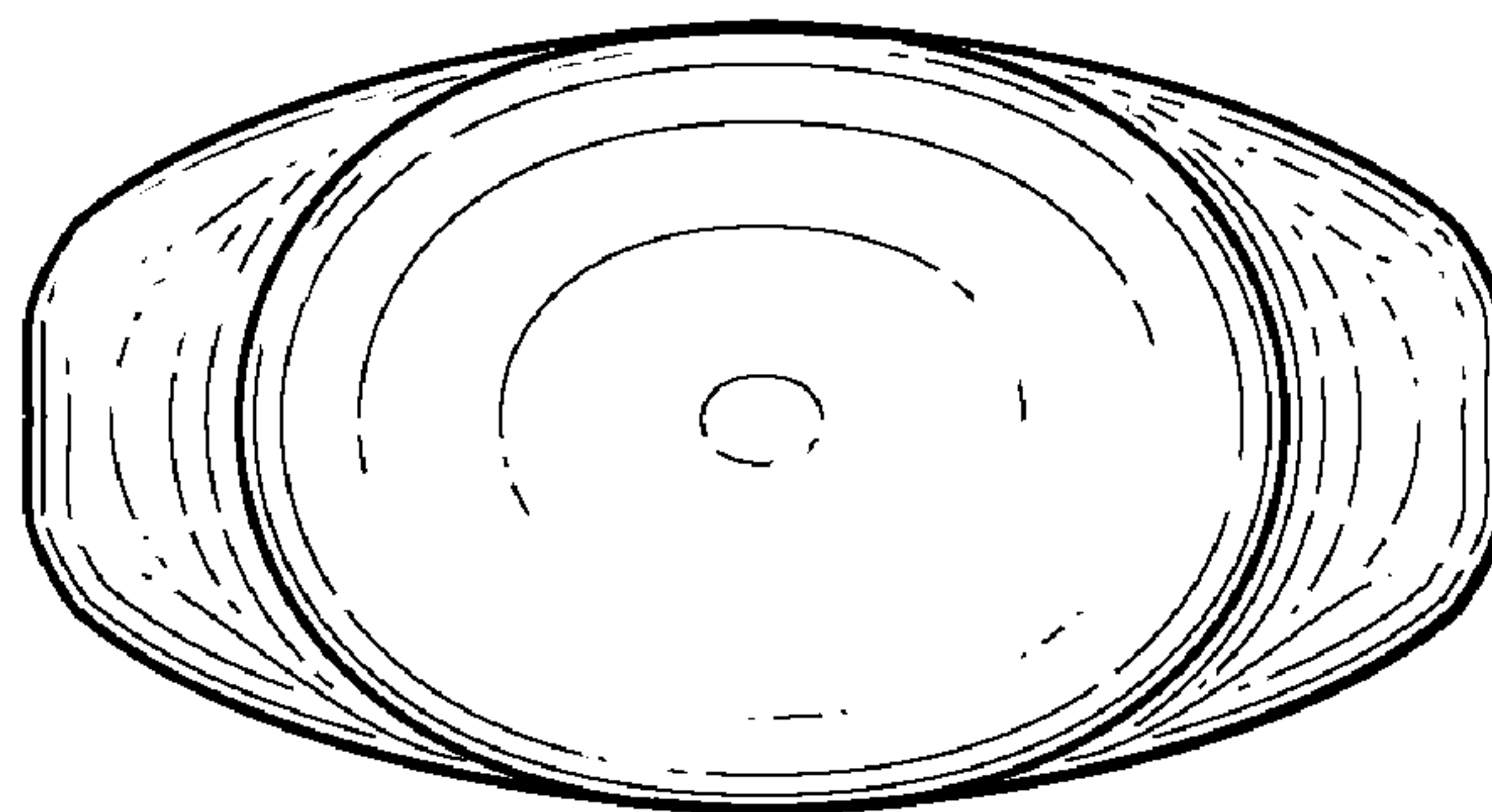


FIG. 7