



US00D574240S

(12) **United States Design Patent**
Szczesniak

(10) **Patent No.:** **US D574,240 S**
(45) **Date of Patent:** **** Aug. 5, 2008**

- (54) **CLOSURE CAP**
- (75) Inventor: **Dennis A. Szczesniak**, Palos Hills, IL (US)
- (73) Assignee: **Silgan White Cap Americas LLC**, Downers Grove, IL (US)
- (**) Term: **14 Years**
- (21) Appl. No.: **29/277,603**
- (22) Filed: **Mar. 2, 2007**

Related U.S. Application Data

- (62) Division of application No. 29/245,716, filed on Dec. 28, 2005, now Pat. No. Des. 542,655.
- (51) **LOC (8) Cl.** **09-07**
- (52) **U.S. Cl.** **D9/453; D9/454**
- (58) **Field of Classification Search** D9/690, D9/688, 686, 569, 529, 503, 454, 453, 452, D9/447, 436, 435, 429; D12/197; D7/629; 215/331, 330, 329, 317, 316, 272, 252, 276
See application file for complete search history.

D291,868 S	9/1987	Hindle	
4,770,306 A *	9/1988	Szczesniak	215/252
D304,424 S	11/1989	Dawson	
D309,863 S	8/1990	Baxter	
4,981,230 A *	1/1991	Marshall et al.	215/252
D318,618 S	7/1991	Scarpa et al.	
5,080,246 A	1/1992	Hayes	
5,215,204 A *	6/1993	Beck et al.	215/252
D354,914 S	1/1995	Newman	
D359,682 S *	6/1995	Miller	D9/453
5,487,481 A	1/1996	Sander et al.	
D407,978 S	4/1999	Petro	
D415,962 S	11/1999	Garcia	
D417,397 S	12/1999	Forecast et al.	
D449,537 S	10/2001	Feigenbaum	
D465,731 S	11/2002	Brant et al.	
D482,967 S	12/2003	Bourque et al.	
D487,700 S	3/2004	Bourque et al.	
D531,505 S	11/2006	Lohrman	
D542,654 S *	5/2007	Szczesniak	D9/453
D542,656 S *	5/2007	Szczesniak	D9/453
D544,348 S *	6/2007	Szczesniak	D9/453
D547,443 S *	7/2007	Sudo	D24/121
2007/0187352 A1 *	8/2007	Kras et al.	215/276

* cited by examiner

Primary Examiner—Gary D. Watson
Assistant Examiner—Susan Bennett Hattan
 (74) *Attorney, Agent, or Firm*—Cook, Alex, McFarron, Manzo, Cummings & Mehler, Ltd.

(56) **References Cited**

U.S. PATENT DOCUMENTS

D53,911 S	10/1919	Humphrey
D89,809 S	5/1933	Till
D93,650 S	10/1934	Fleisch
1,981,414 A	11/1934	Hermani
D95,675 S	5/1935	Fuerst
D96,766 S	9/1935	Kronman
D99,327 S	4/1936	Howie, Jr.
D101,623 S	10/1936	Fleisch
D105,858 S	8/1937	Fleisch
D124,384 S	12/1940	Ehrlich
D136,439 S	10/1943	Tatro
D136,440 S	10/1943	Tatro
D138,312 S	7/1944	Derham
D202,938 S	11/1965	Danks
D257,740 S	12/1980	Humphrey, II et al.
D266,906 S	11/1982	Guerette
D267,547 S	1/1983	Nightingale, III
D276,027 S	10/1984	Albert et al.
D289,143 S	4/1987	Guillaume

(57) **CLAIM**

The ornamental design for a closure cap, as shown and described.

DESCRIPTION

FIG. 1 is a perspective view of the closure cap of the invention;
 FIG. 2 is a side view of the closure cap of FIG. 1, the opposite side being identical thereto;
 FIG. 3 is a top plan view of the closure cap of FIG. 1; and,
 FIG. 4 is a bottom plan view of the closure cap of FIG. 1.

1 Claim, 2 Drawing Sheets

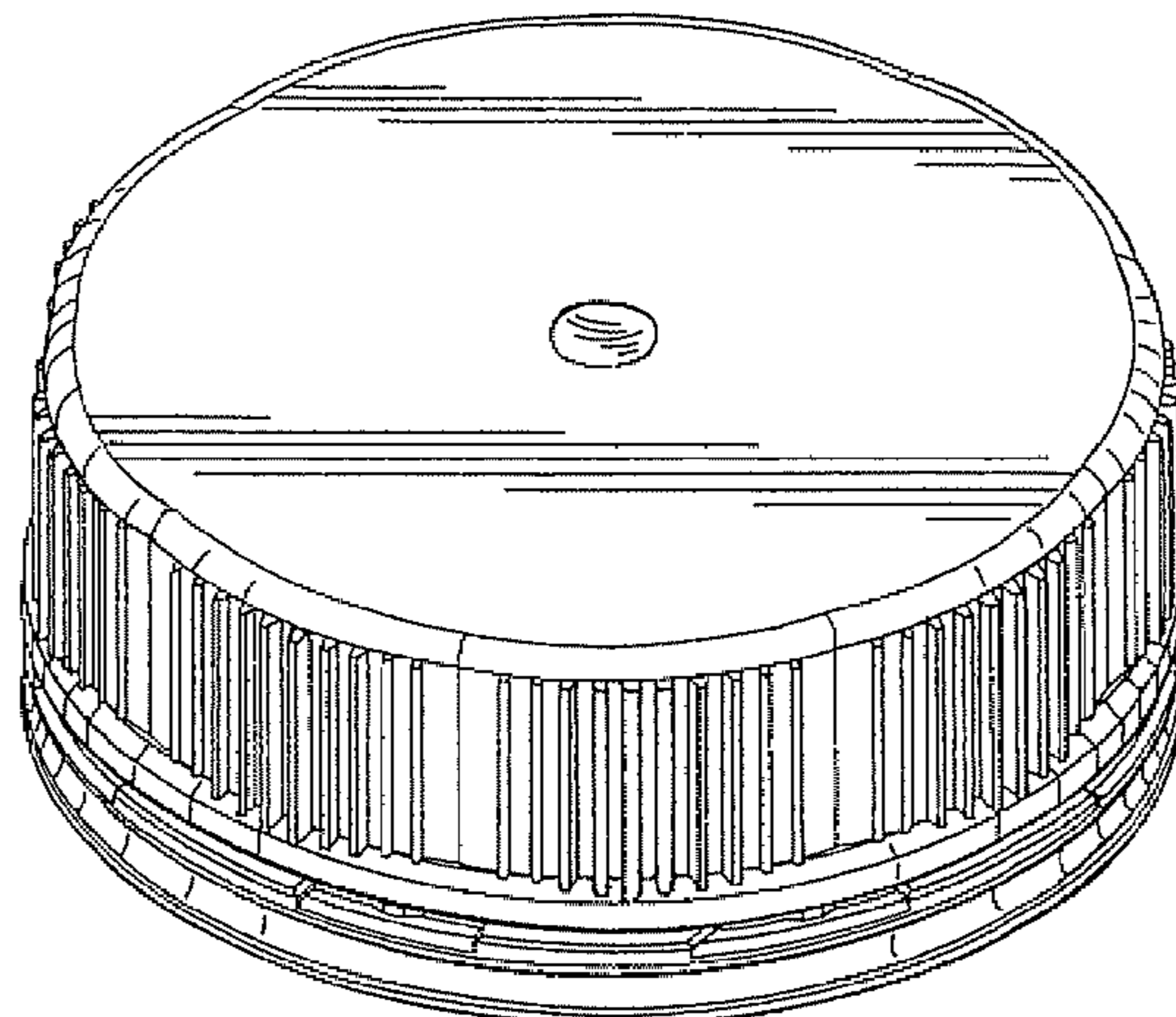


FIG.1

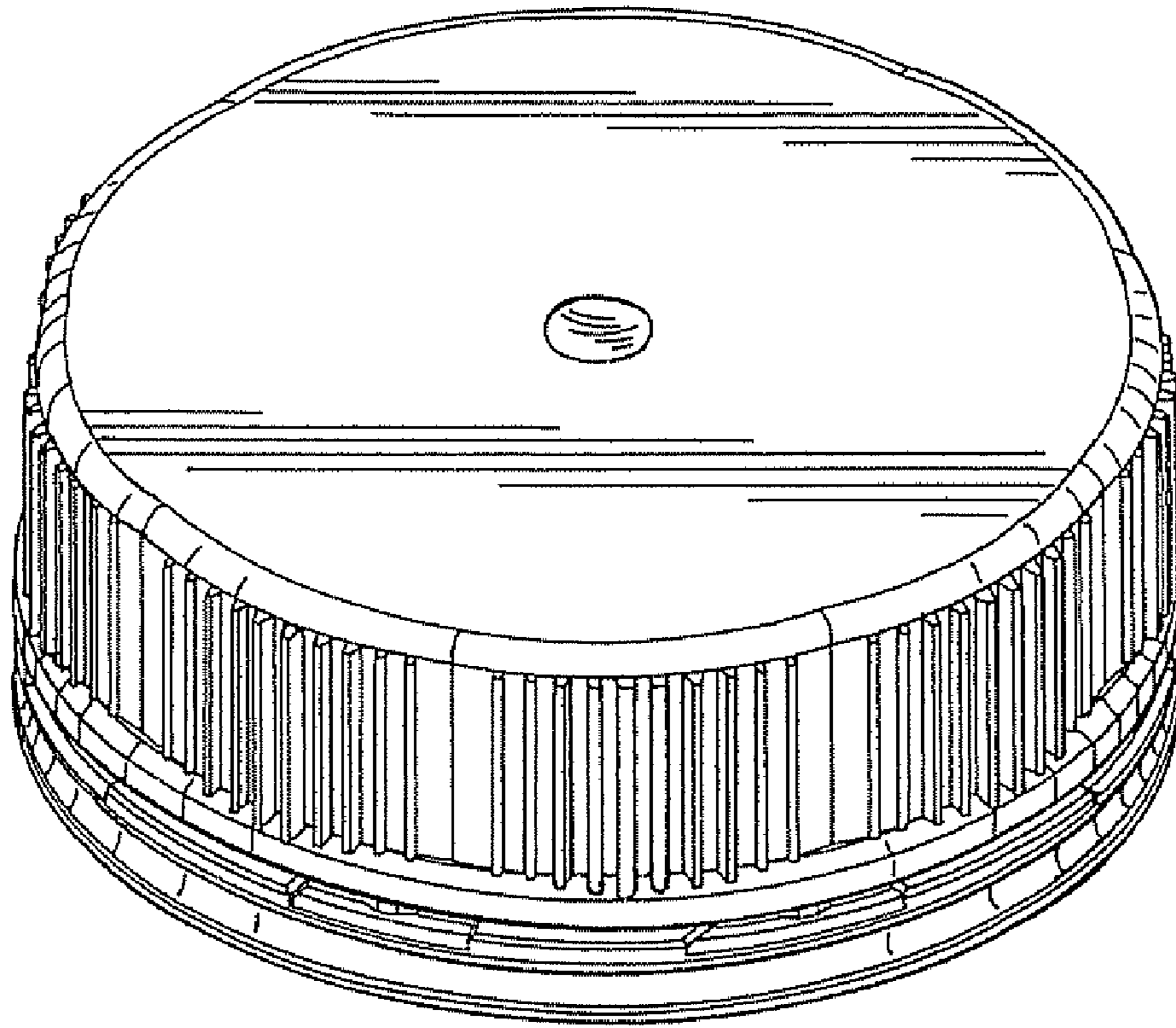


FIG.2

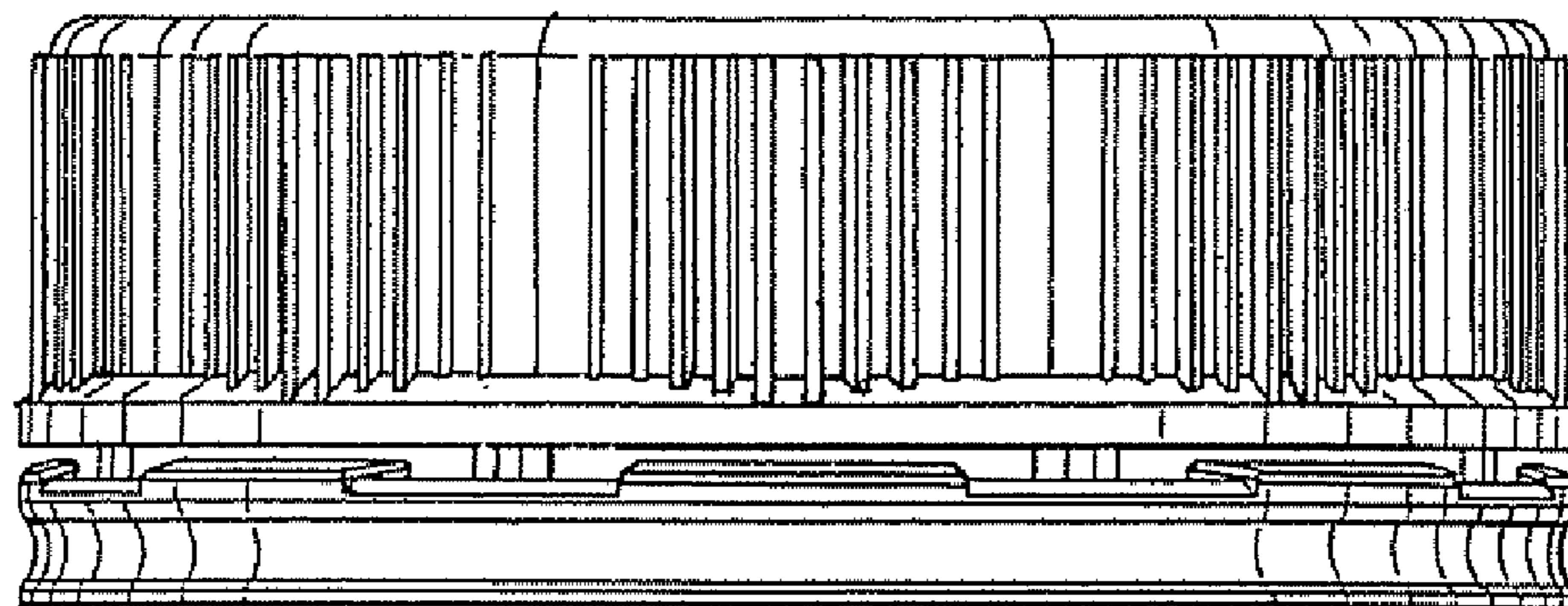


FIG. 3

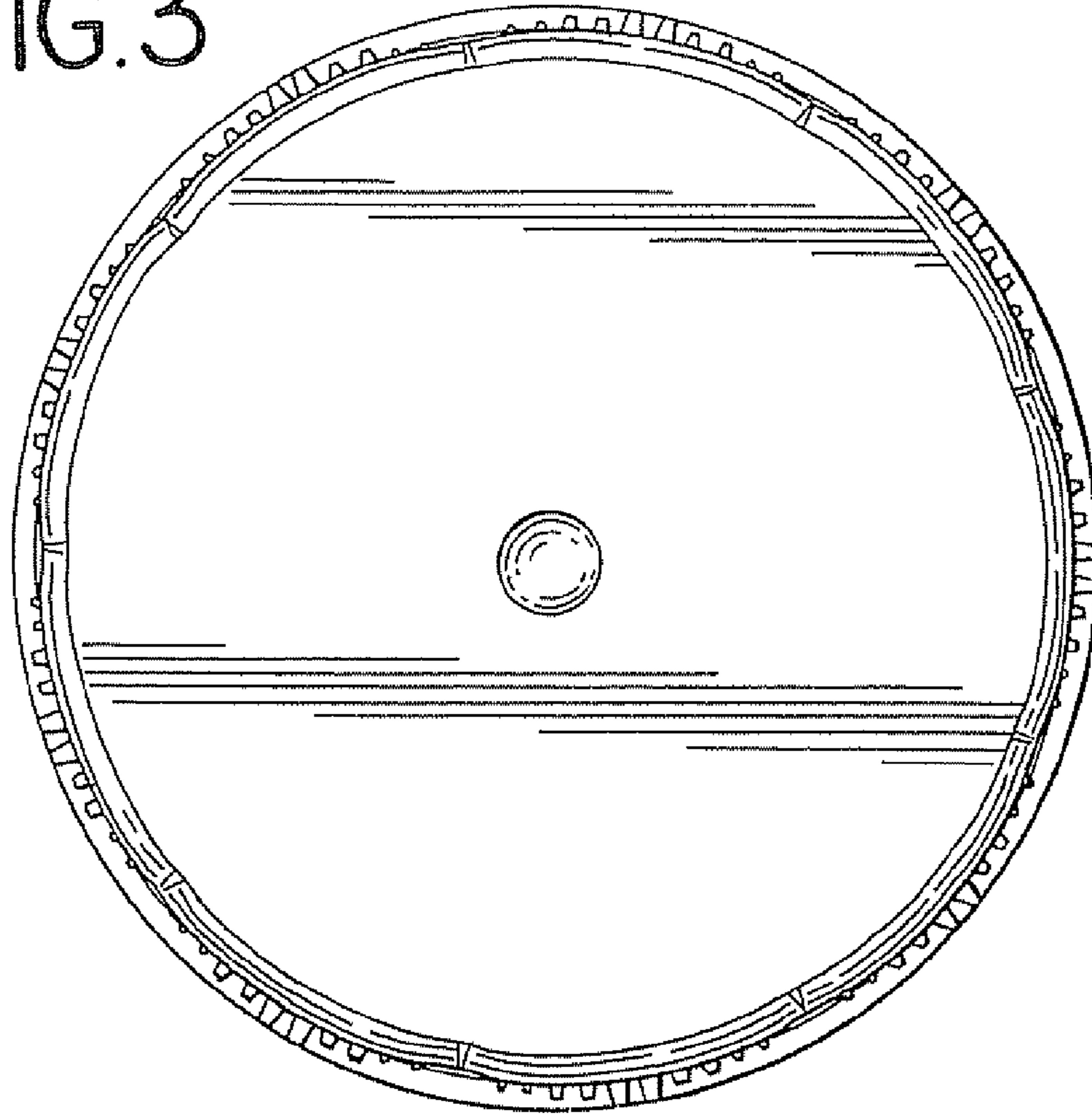


FIG. 4

